

United States Patent [19]

Koizumi et al.

[11] Patent Number: **Des. 281,080**

[45] Date of Patent: **** Oct. 22, 1985**

[54] **BASE FRAME FOR DOT PRINTER**

[75] Inventors: **Michio Koizumi**, Tokorozawa;
Osamu Washimine, Sayama; **Ken Kozasa**, Kawagoe; **Seiichi Osawa**, Sayama; **Takashi Moriya**, Higashi-Murayama, all of Japan

[73] Assignee: **Citizen Watch Co., Ltd.**, Tokyo, Japan

[**] Term: **14 Years**

[21] Appl. No.: **493,674**

[22] Filed: **May 11, 1983**

[30] **Foreign Application Priority Data**

Nov. 15, 1982 [JP] Japan 57-51253
[52] U.S. Cl. **D18/23**
[58] Field of Search D18/12, 13, 22, 23,
D18/99; D14/114; 400/121, 118, 691;
101/93.04

[56] **References Cited**

U.S. PATENT DOCUMENTS

D. 4,162 6/1870 Henry D18/23

3,499,382 3/1970 Potter et al. 400/691 X
4,462,702 7/1984 Fritz et al. 400/121 X

OTHER PUBLICATIONS

EDN, 10/20/77, p. 40-Dot Matrix Printer Mechanism at top right.

Primary Examiner—Louis S. Zarfaz

Attorney, Agent, or Firm—Cushman, Darby & Cushman

[57] **CLAIM**

The ornamental design for a base frame for dot printer, as shown.

DESCRIPTION

FIG. 1 is top, front and right side perspective view of a base frame for dot printer showing our new design, FIG. 2 is top, rear and left side perspective view thereof, FIG. 3 is bottom, front and left side perspective view thereof, FIG. 4 is bottom, rear and right side perspective view thereof, FIG. 5 is top plan view thereof, FIG. 6 is rear elevational view thereof, and FIG. 7 is right side elevational view thereof.

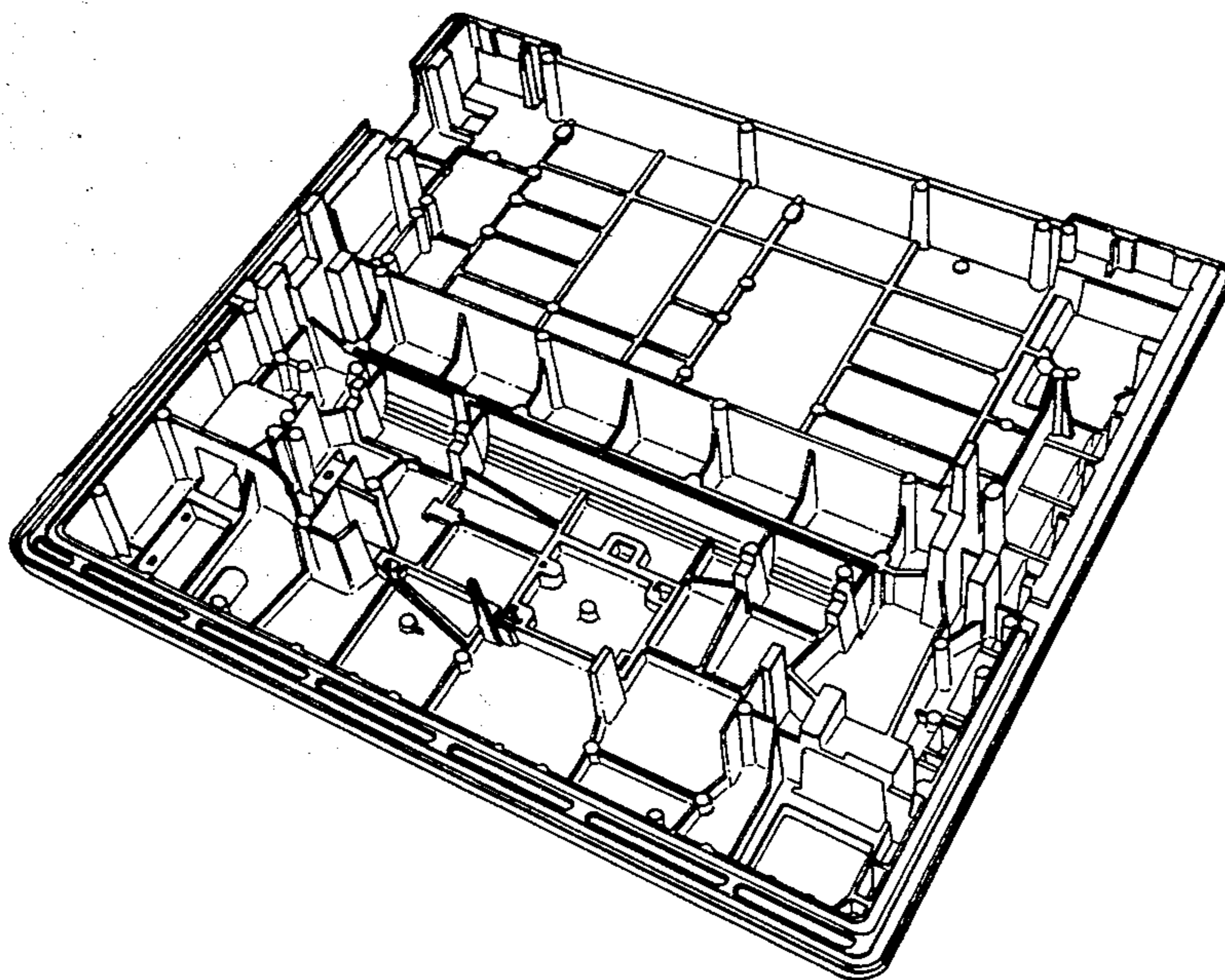


FIG. 1

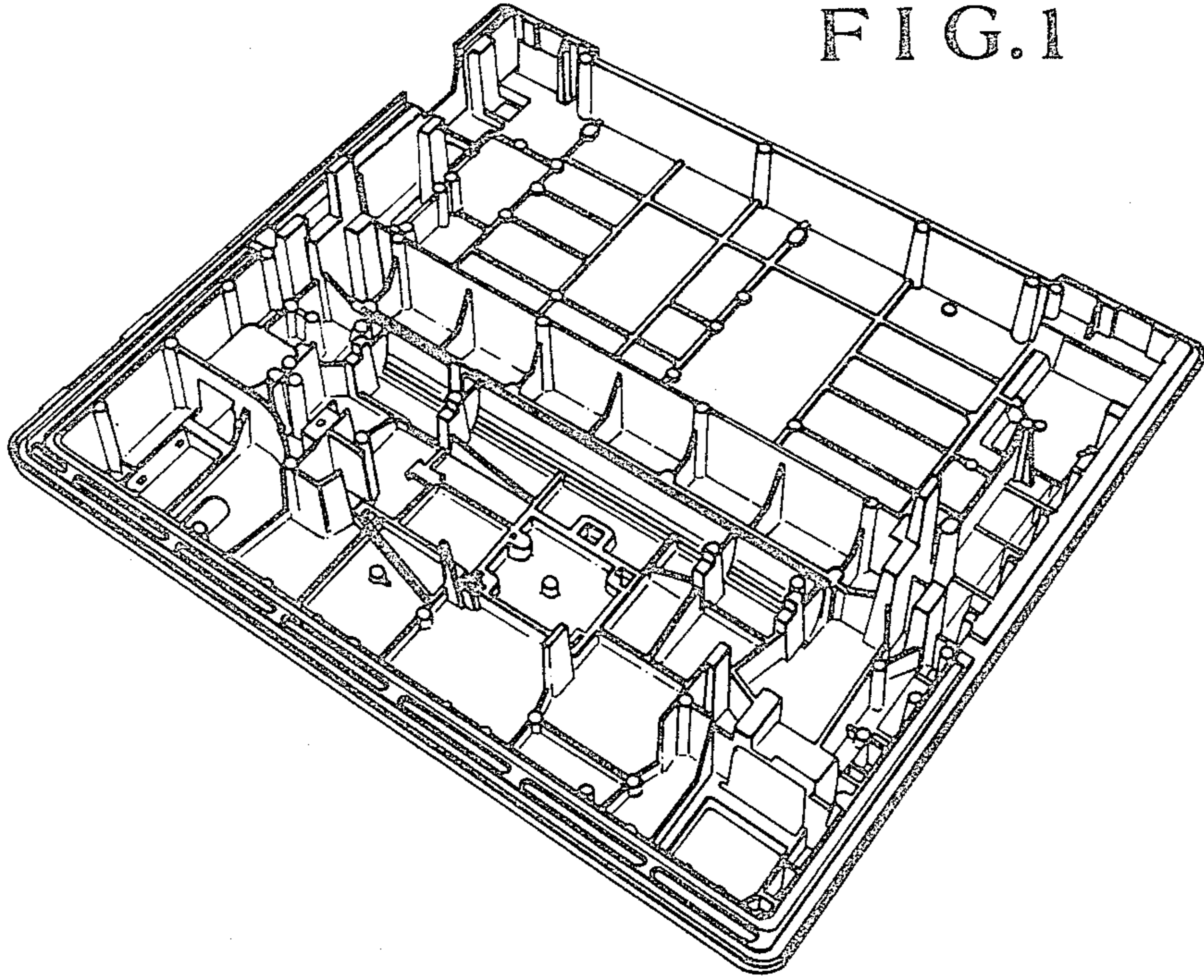


FIG. 2

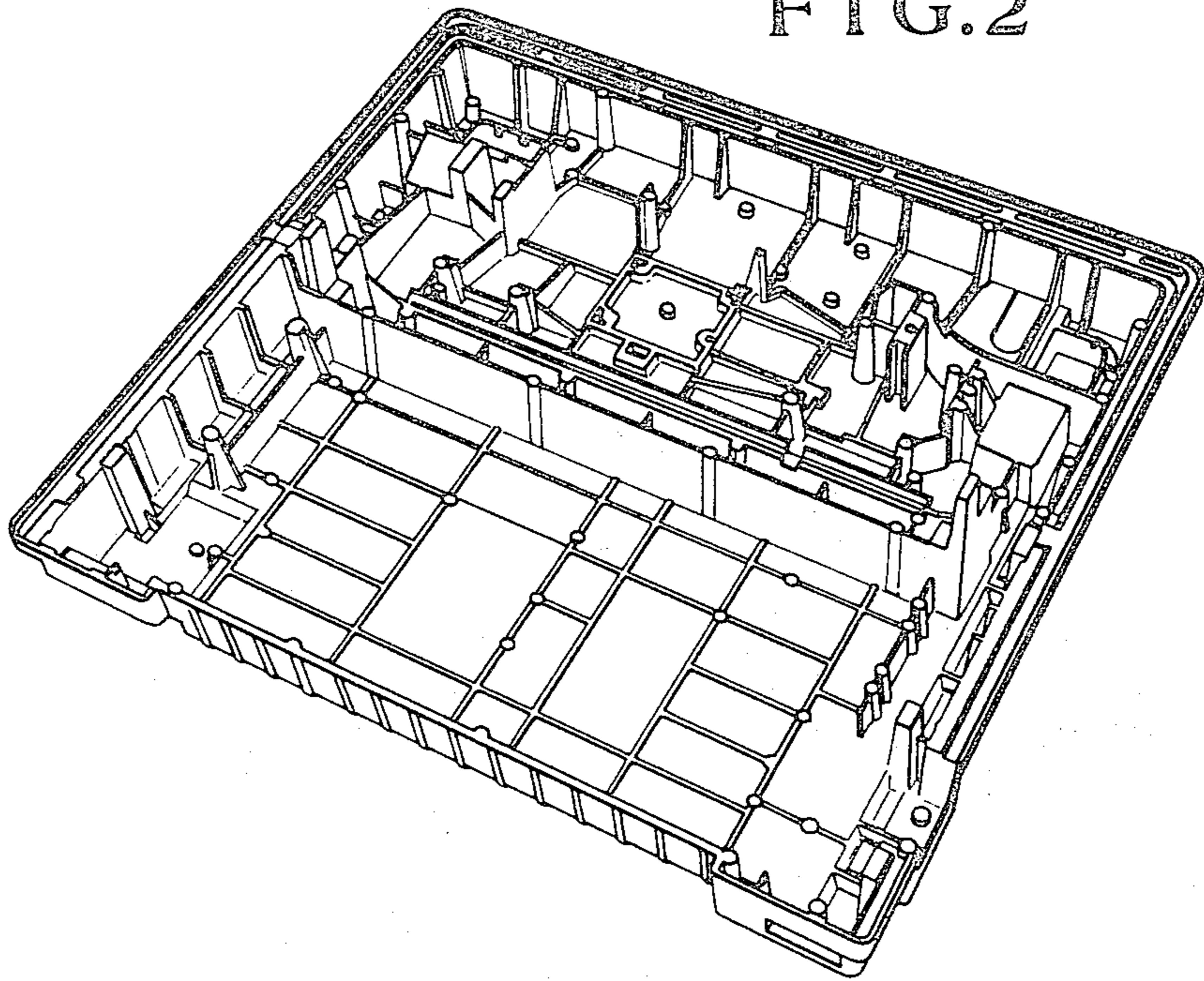


FIG.3

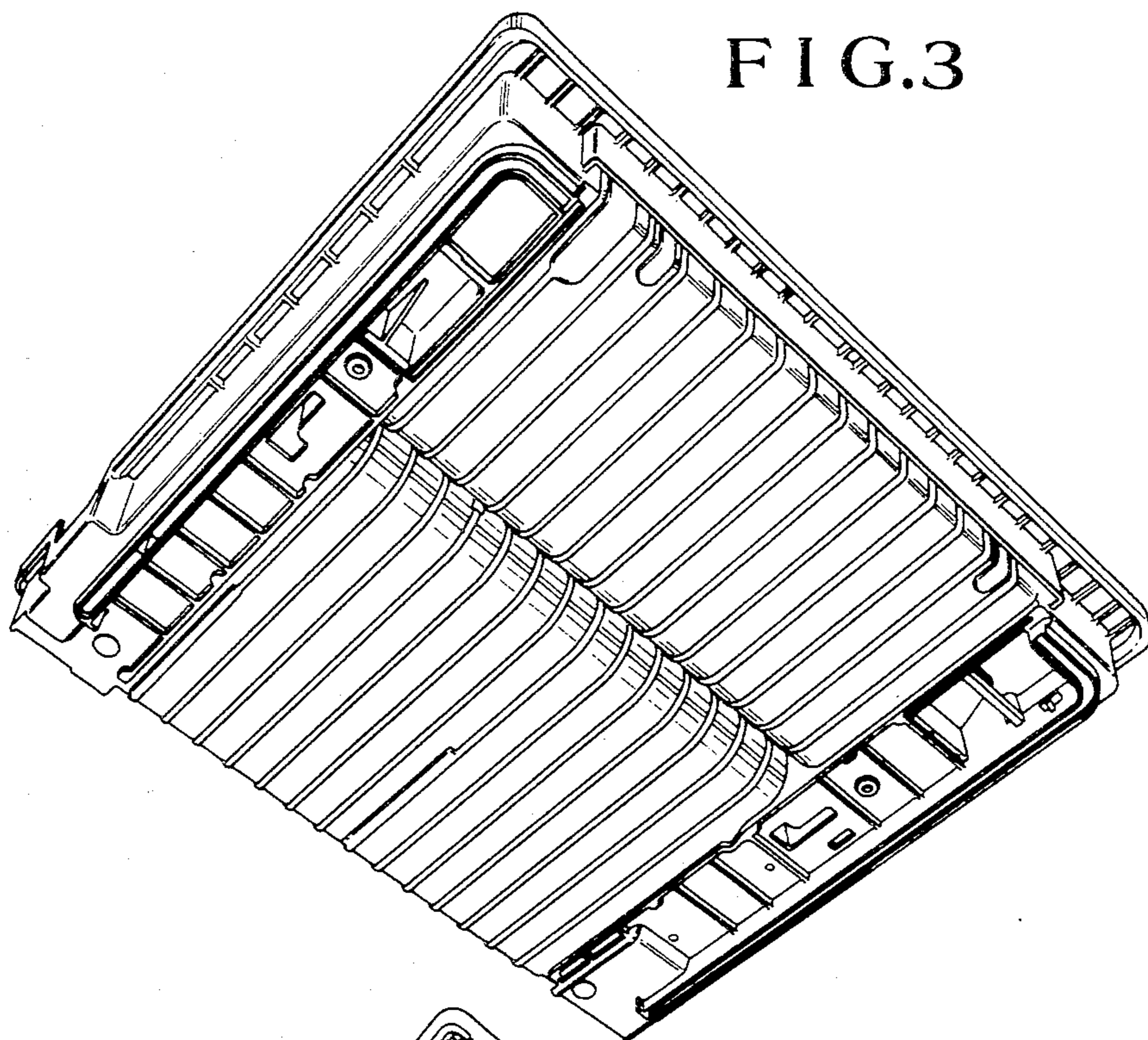


FIG.4

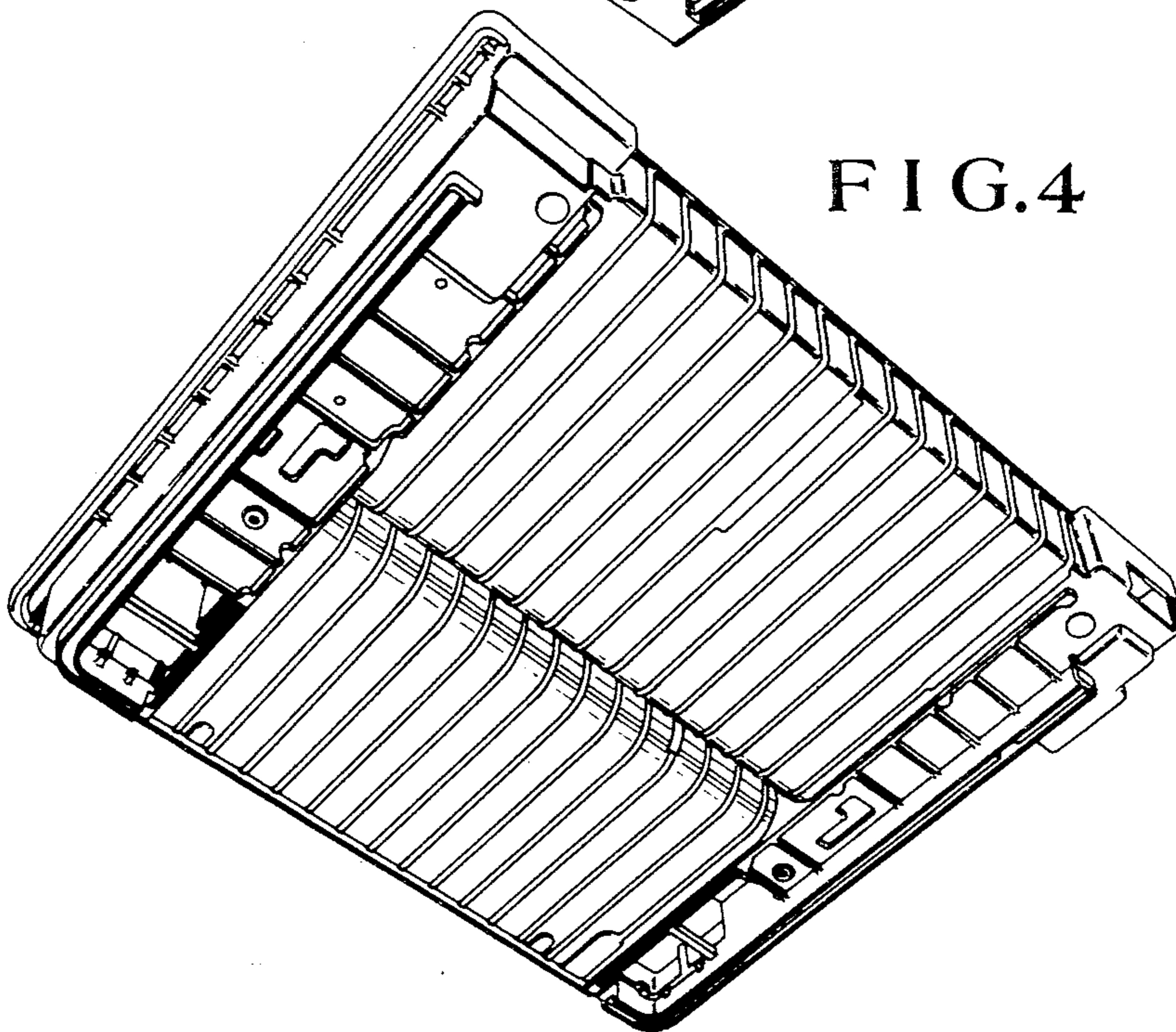


FIG. 5

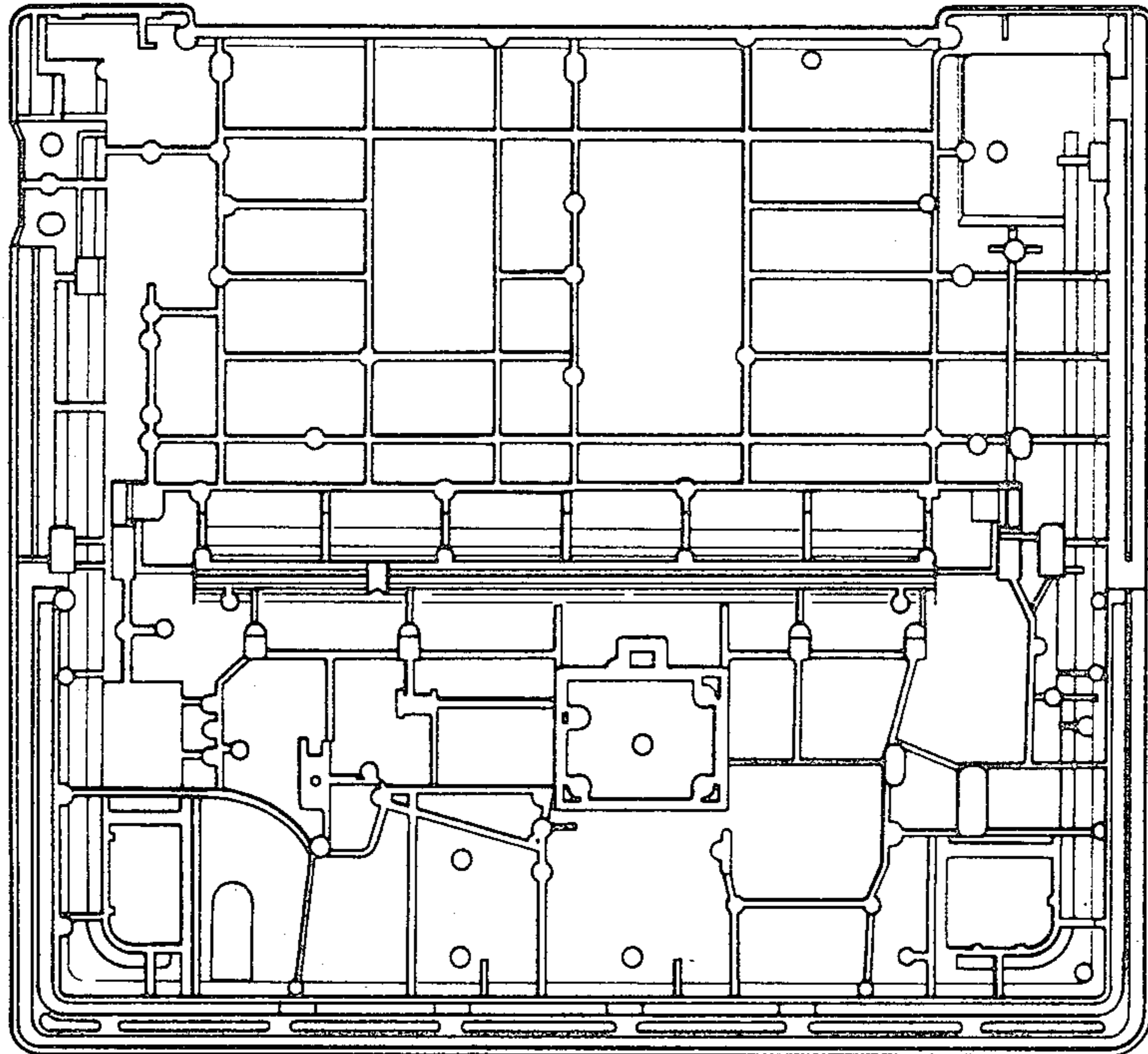


FIG. 6

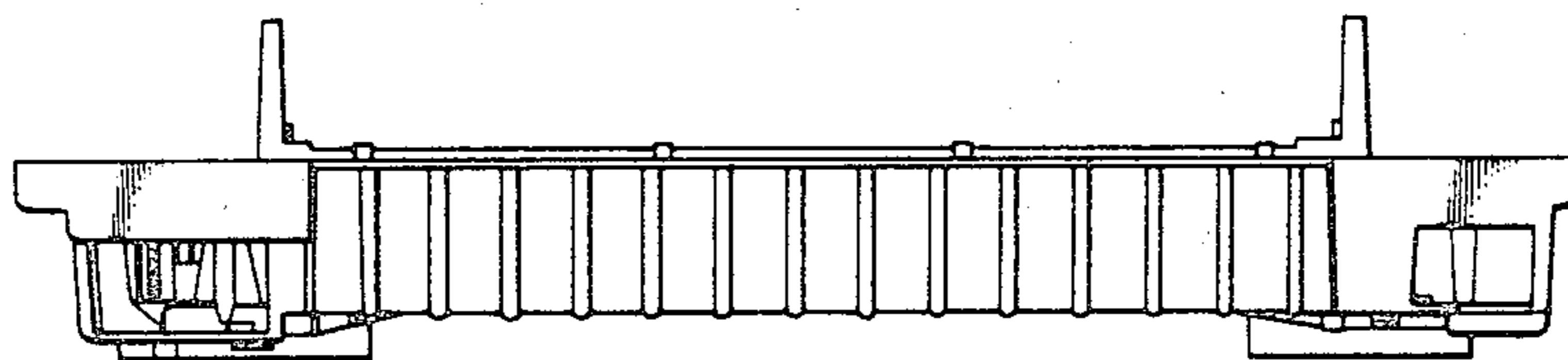


FIG. 7

