

United States Patent [19]

Kunita et al.

[11] Patent Number: **Des. 281,079**

[45] Date of Patent: **** Oct. 22, 1985**

[54] **FRAME FOR PRINTING HEAD**

[75] Inventors: **Masao Kunita; Osamu Washimine,**
both of Sayama; **Michio Koizumi,**
Tokorozawa; **Yasuo Iwata,**
Tokorozawa; **Toshio Kurihara,**
Tokorozawa, all of Japan

[73] Assignee: **Citizen Watch Co., Ltd.,** Tokyo,
Japan

[**] Term: **14 Years**

[21] Appl. No.: **493,673**

[22] Filed: **May 11, 1983**

[30] **Foreign Application Priority Data**

Nov. 15, 1982 [JP] Japan 57-51252

[52] U.S. Cl. **D18/23**

[58] Field of Search D18/12, 13, 22, 23,
D18/99; D14/114; 400/121, 691; 101/93.04

[56] **References Cited**

U.S. PATENT DOCUMENTS

4,351,235	9/1982	Bringhurst	400/121 X
4,461,207	7/1984	Helinski	101/93.04 X
4,462,702	7/1984	Fritz et al.	400/121 X
4,484,519	11/1984	Kurihara et al.	400/121 X

Primary Examiner—Louis S. Zarfes

Attorney, Agent, or Firm—Cushman, Darby & Cushman

[57] **CLAIM**

The ornamental design for a frame for printing head, as shown and described.

DESCRIPTION

FIG. 1 is front, bottom and right side perspective view of a frame for printing head showing our new design; FIG. 2 is top, rear and left side perspective view thereof;

FIG. 3 is bottom, rear and right side perspective view thereof; and

FIG. 4 is an end view thereof; another end view is mirror image thereof.

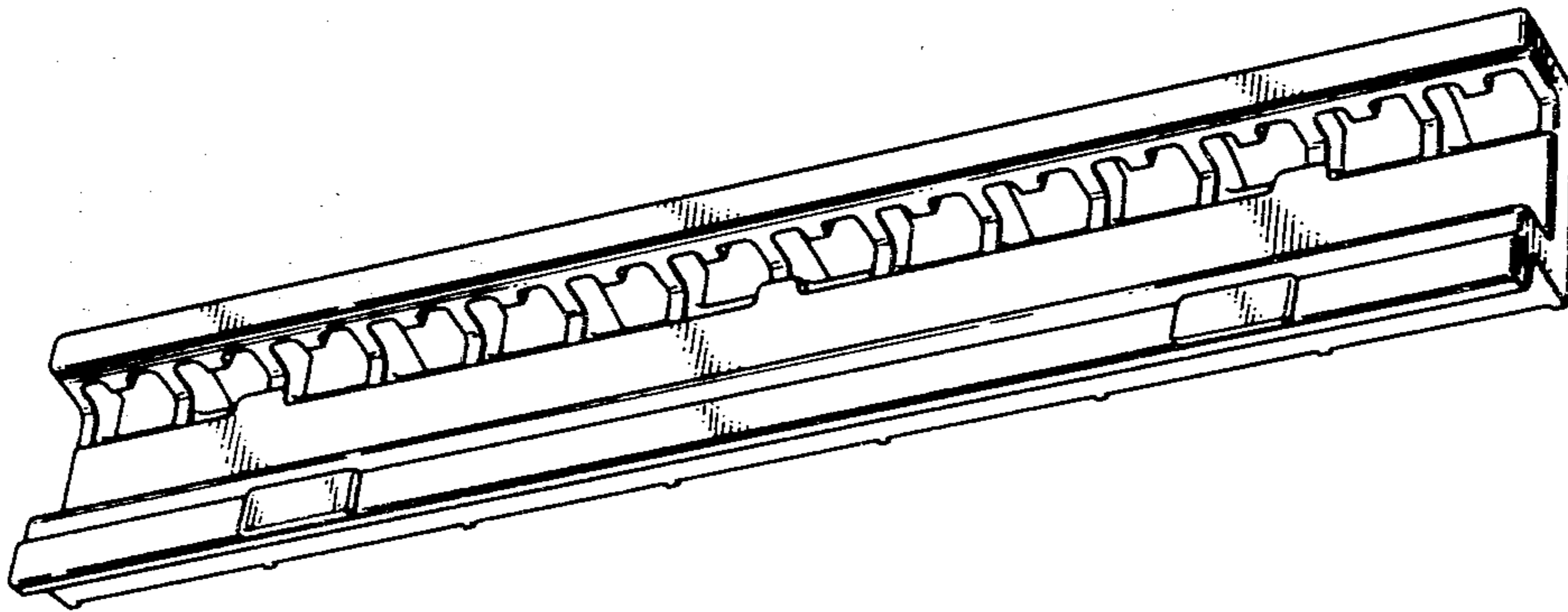


FIG. 1

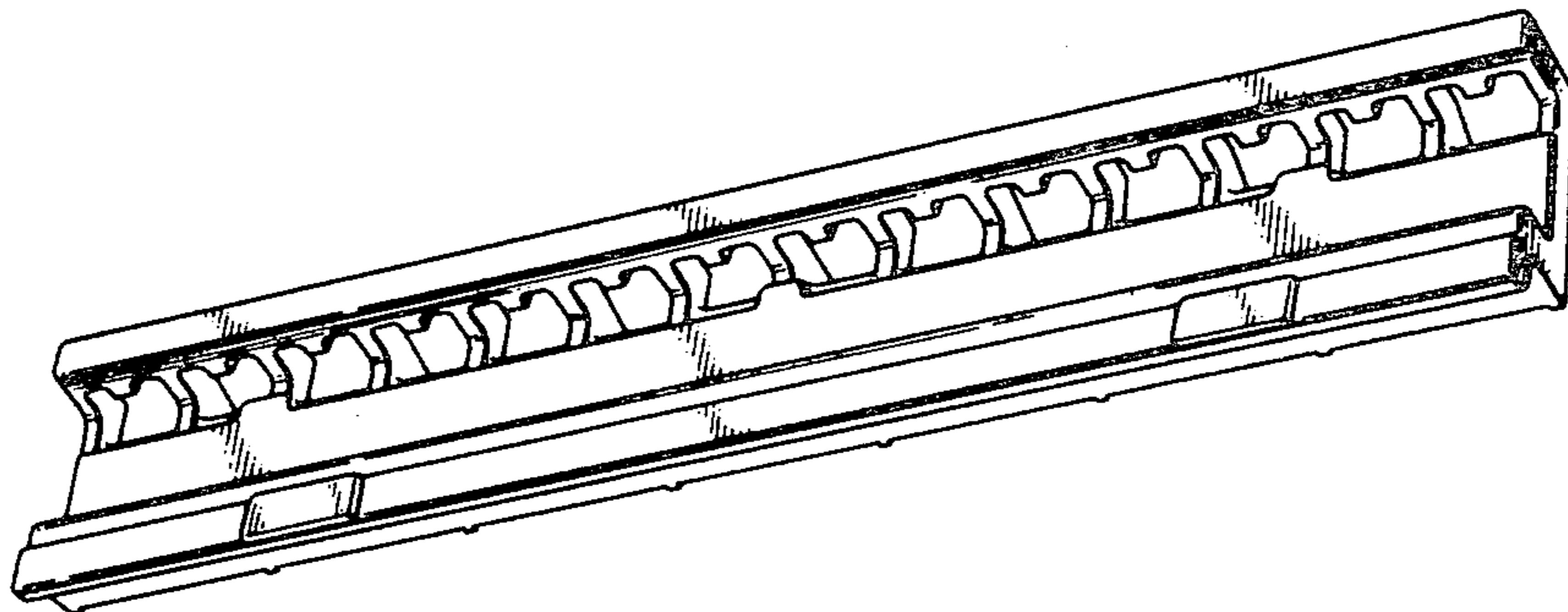


FIG. 2

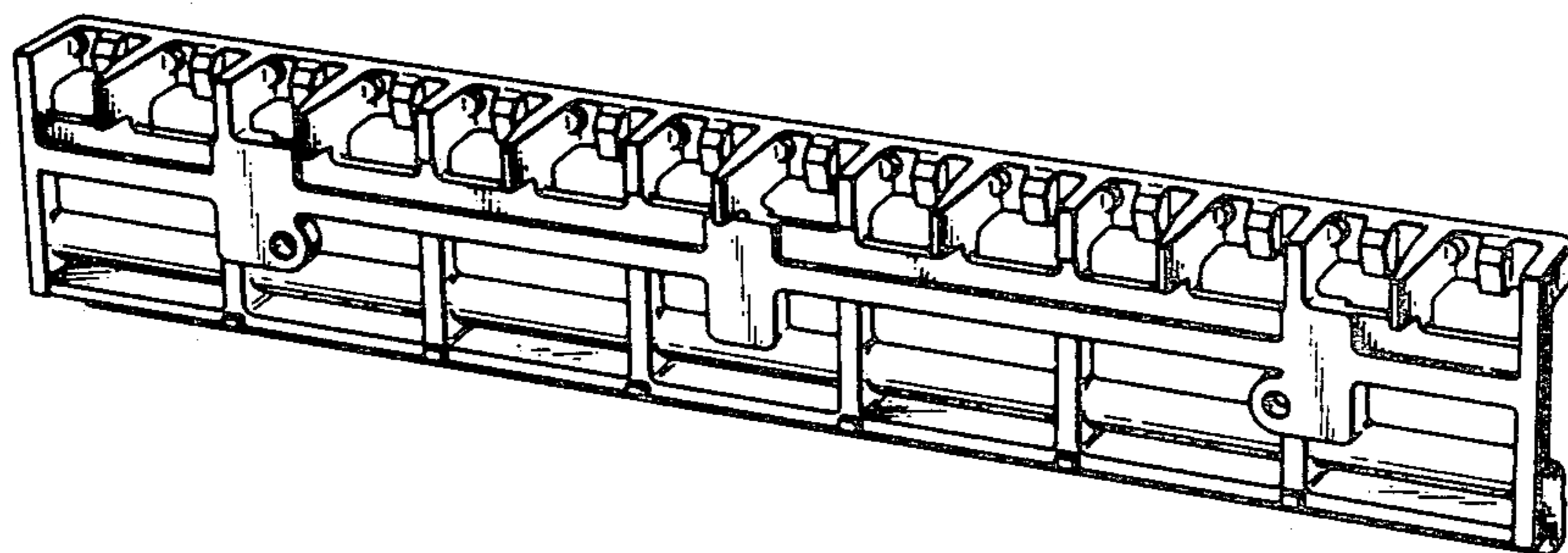


FIG. 3

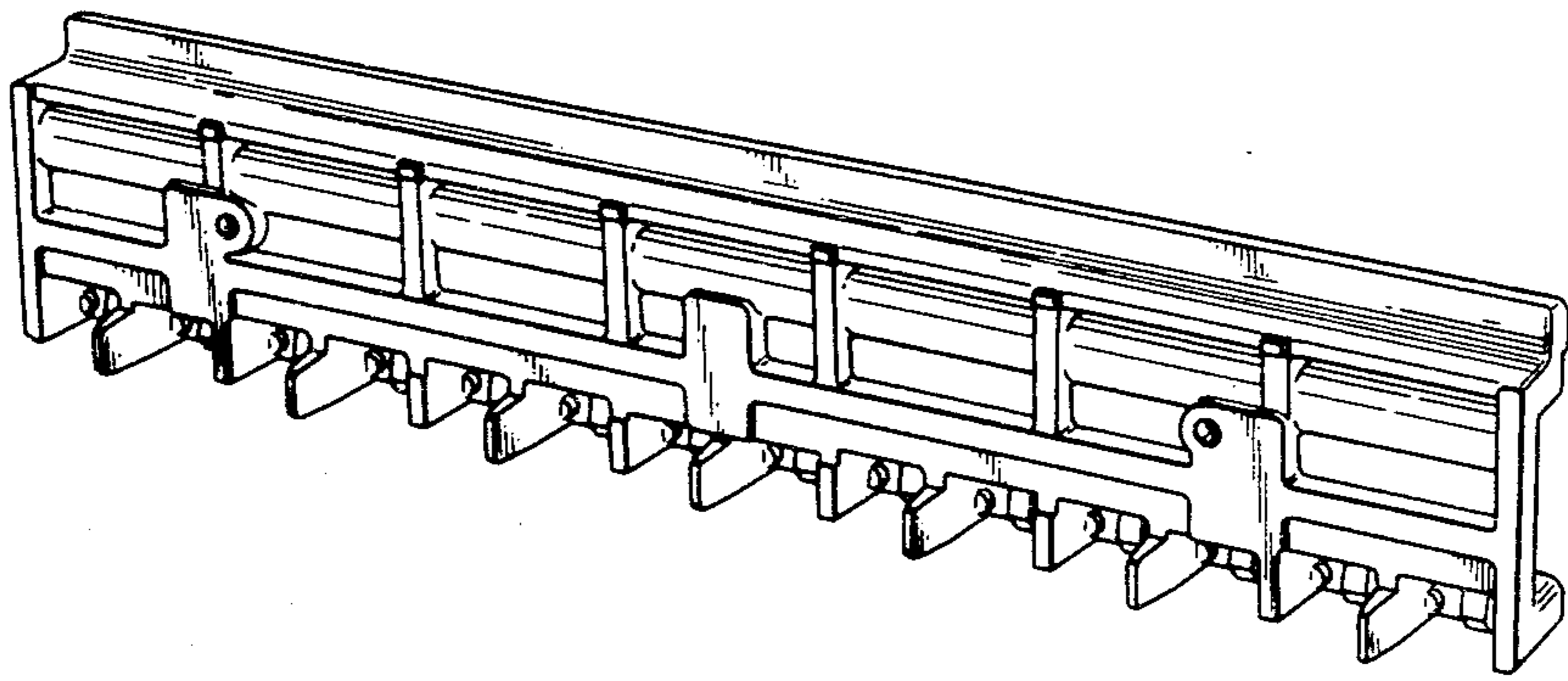


FIG. 4

