

United States Patent [19]

Koizumi et al.

[11] Patent Number: **Des. 281,078**

[45] Date of Patent: **** Oct. 22, 1985**

[54] **HOLDER FOR PRINTING HEAD FRAME**

[75] Inventors: **Ken Kozasa, Kawagoe; Michio Koizumi; Yasuo Iwata**, both of Tokorozawa, all of Japan

[73] Assignee: **Citizen Watch Co., Ltd.**, Tokyo, Japan

[**] Term: **14 Years**

[21] Appl. No.: **496,667**

[22] Filed: **May 20, 1983**

[30] **Foreign Application Priority Data**

Nov. 22, 1982 [JP] Japan 57-52306

[52] U.S. Cl. **D18/22**

[58] Field of Search D18/12, 13, 22, 23, D18/99; D14/114; 400/121, 691; 101/93.04

[56] **References Cited**

U.S. PATENT DOCUMENTS

4,461,207 7/1984 Helinski 101/93.04 X
4,462,702 7/1984 Fritz et al. 400/121 X
4,484,519 11/1984 Kurihara et al. 400/121 X

Primary Examiner—Louis S. Zarfes
Attorney, Agent, or Firm—Cushman, Darby & Cushman

[57] **CLAIM**

The ornamental design for a holder for printing head frame, as shown.

DESCRIPTION

FIG. 1 is top, front and right side perspective view of a holder for printing head frame showing our new design; FIG. 2 is top, rear and left side perspective view thereof;

FIG. 3 is bottom, front and left side perspective view thereof, and

FIG. 4 is right side elevational view thereof.

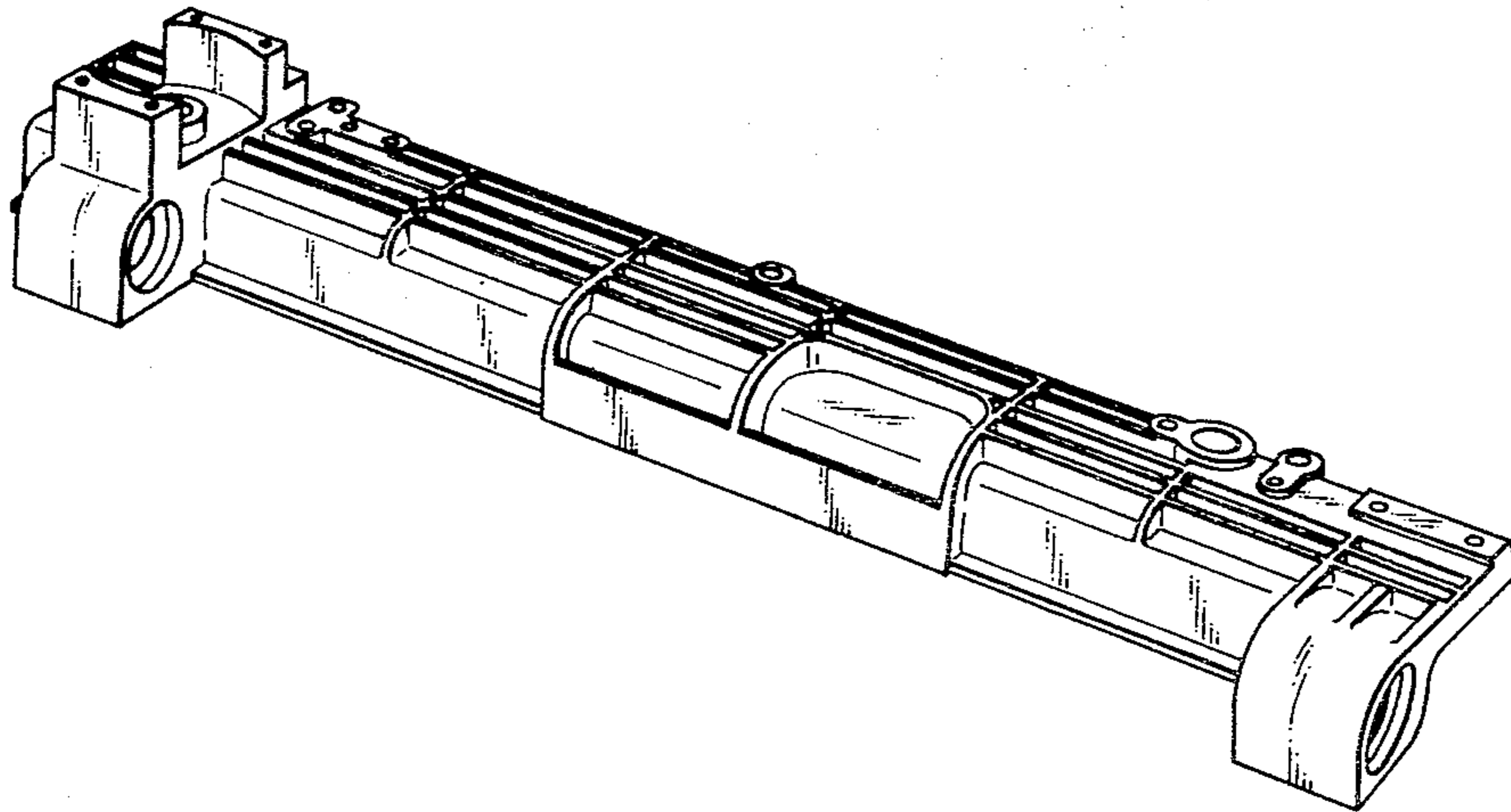


FIG. 1

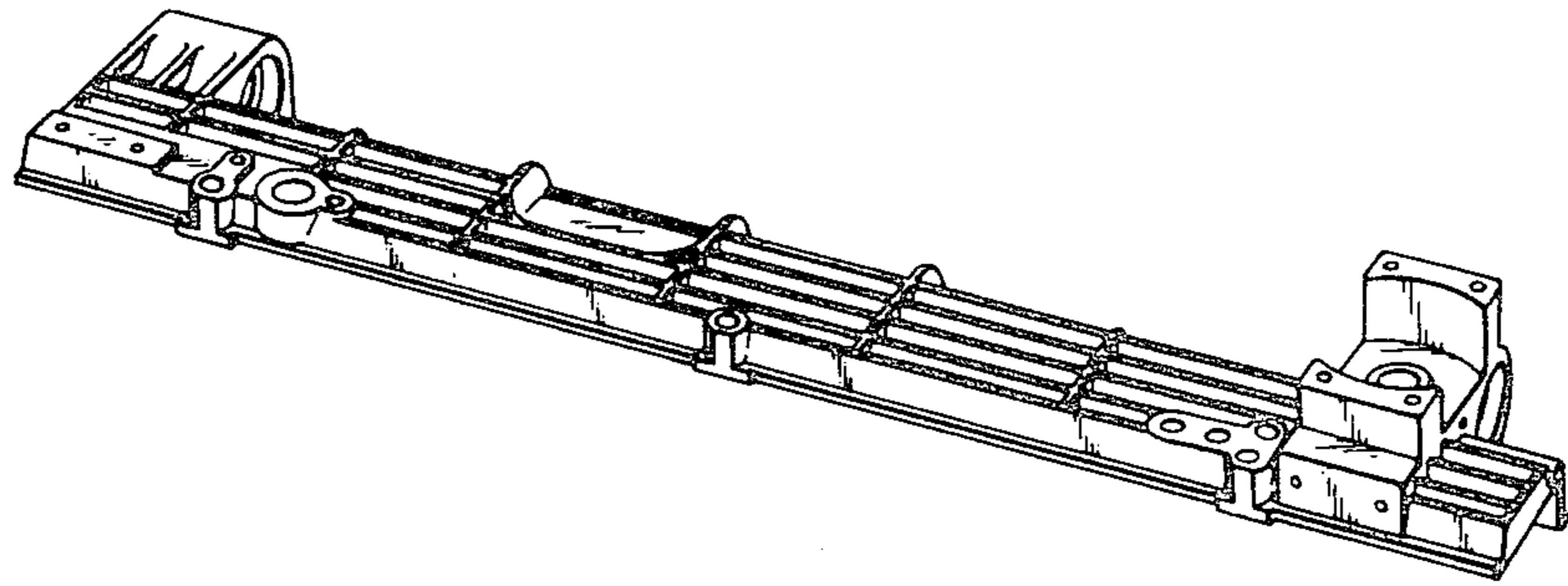


FIG. 2

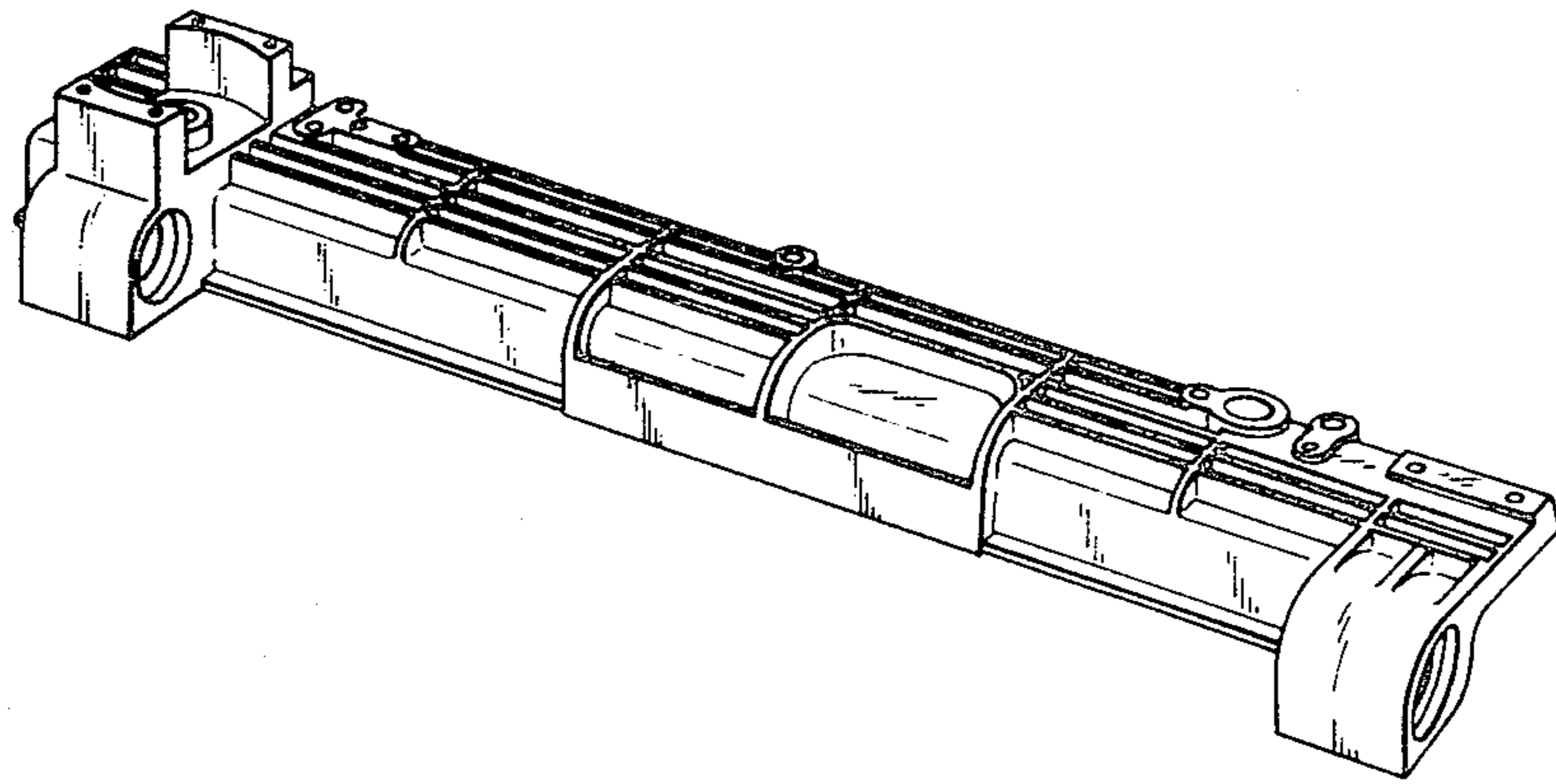


FIG.3

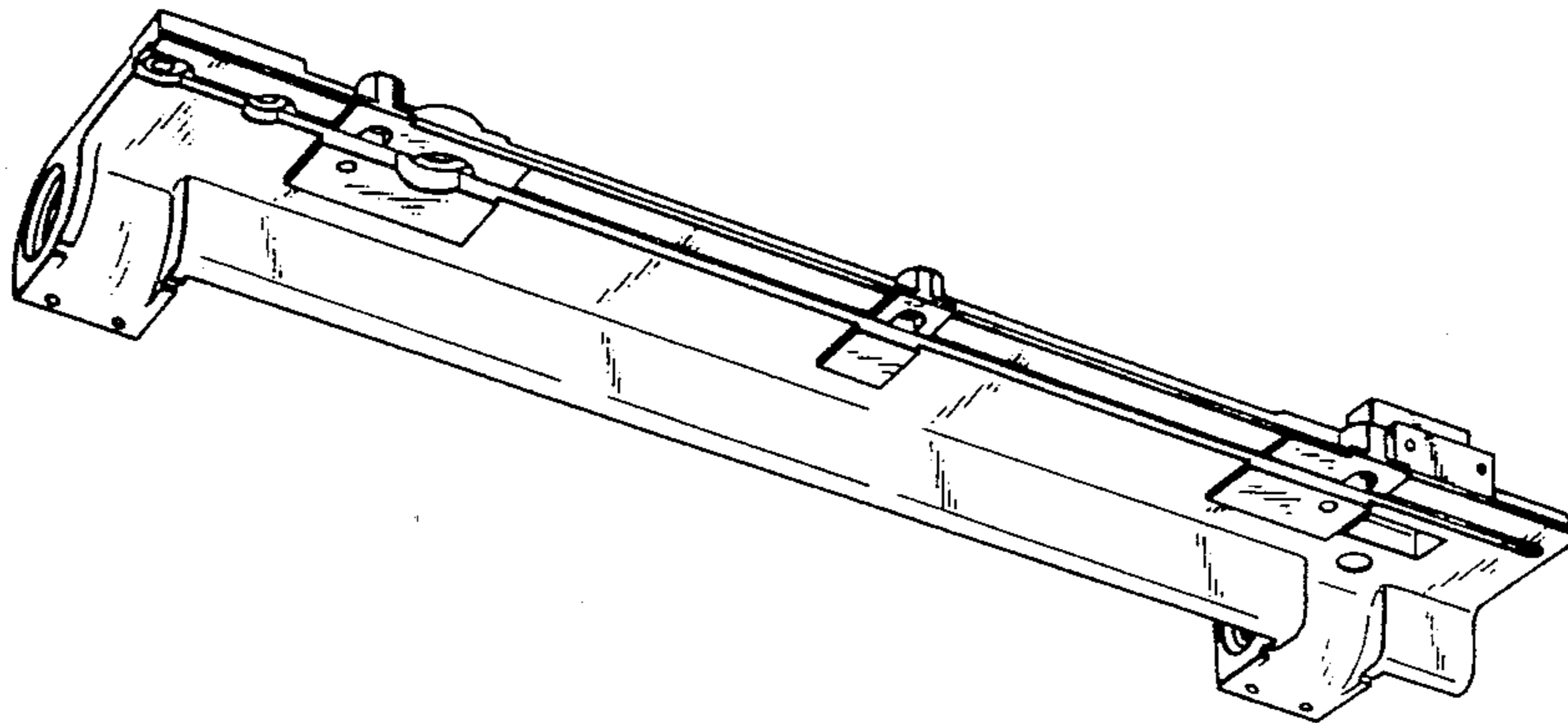


FIG.4

