

United States Patent [19]

Yasunaga et al.

[11] Patent Number: **Des. 281,077**

[45] Date of Patent: **** Oct. 22, 1985**

[54] **CORE BLOCK FOR PRINTING HEAD**

[75] Inventors: **Makoto Yasunaga, Kawagoe; Masao Kunita, Sayama; Katsuya Masuda, Tokyo; Seiichi Osawa, Sayama, all of Japan**

[73] Assignee: **Citizen Watch Co., Ltd., Tokyo, Japan**

[**] Term: **14 Years**

[21] Appl. No.: **493,675**

[22] Filed: **May 11, 1983**

[30] **Foreign Application Priority Data**

Nov. 15, 1982 [JP] Japan 57-51251

[52] U.S. Cl. **D18/22**

[58] Field of Search **D18/12, 13, 22, 23, D18/99; D14/114; 400/121, 691; 101/93.04**

[56] **References Cited**

U.S. PATENT DOCUMENTS

4,462,702 7/1984 Fritz et al. 400/121 X
4,481,880 11/1984 Kurosawa et al. 101/93.04
4,484,519 11/1984 Kurihara et al. 400/121 X

Primary Examiner—Louis S. Zarfes

Attorney, Agent, or Firm—Cushman, Darby & Cushman

[57] **CLAIM**

The ornamental design for a core block for printing head, as shown.

DESCRIPTION

FIG. 1 is top, front and right side perspective view of a core block for printing head showing our new design; FIG. 2 is rear, bottom and left side perspective view thereof, and FIG. 3 is right side elevational view thereof.

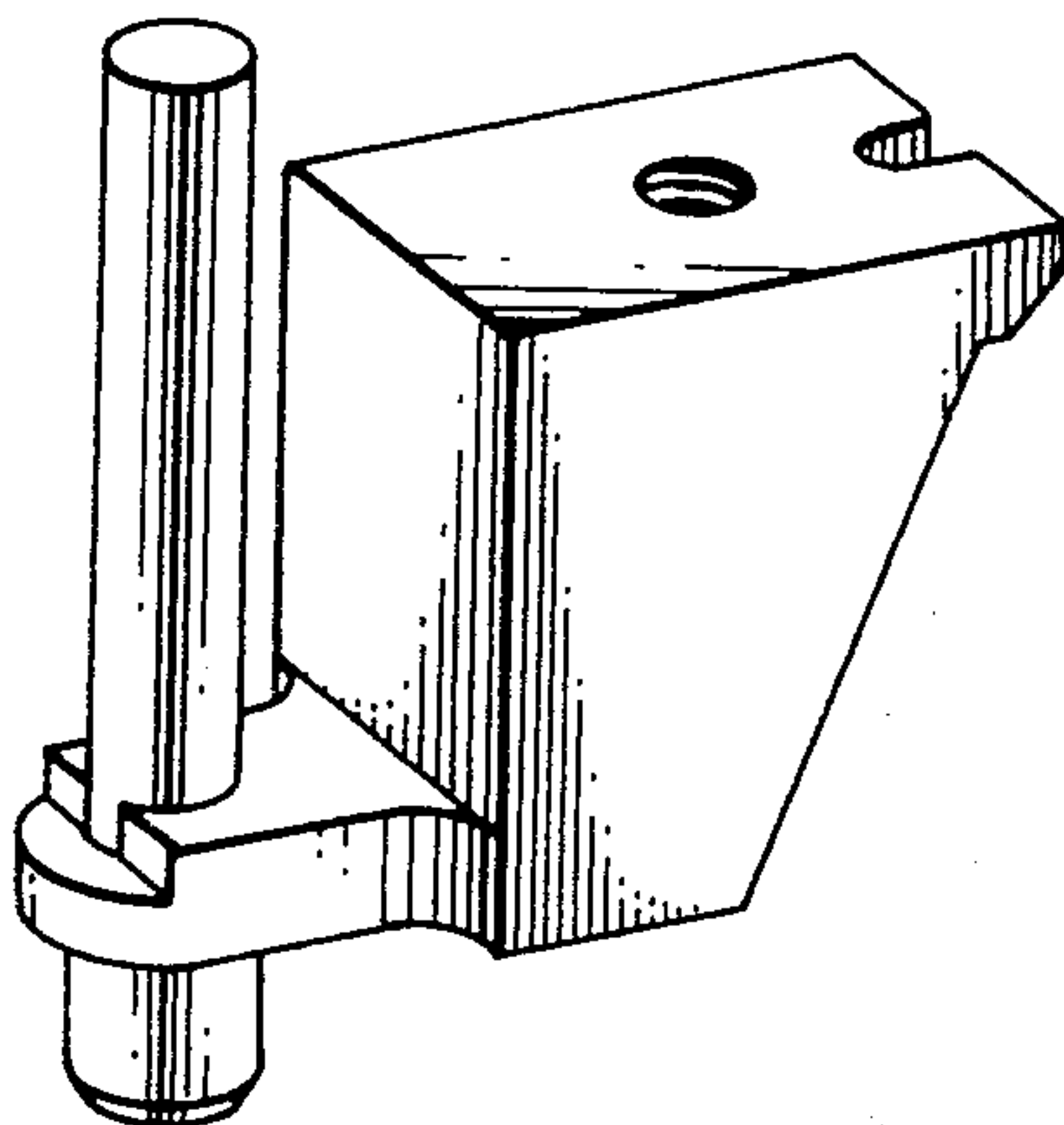


FIG. 1

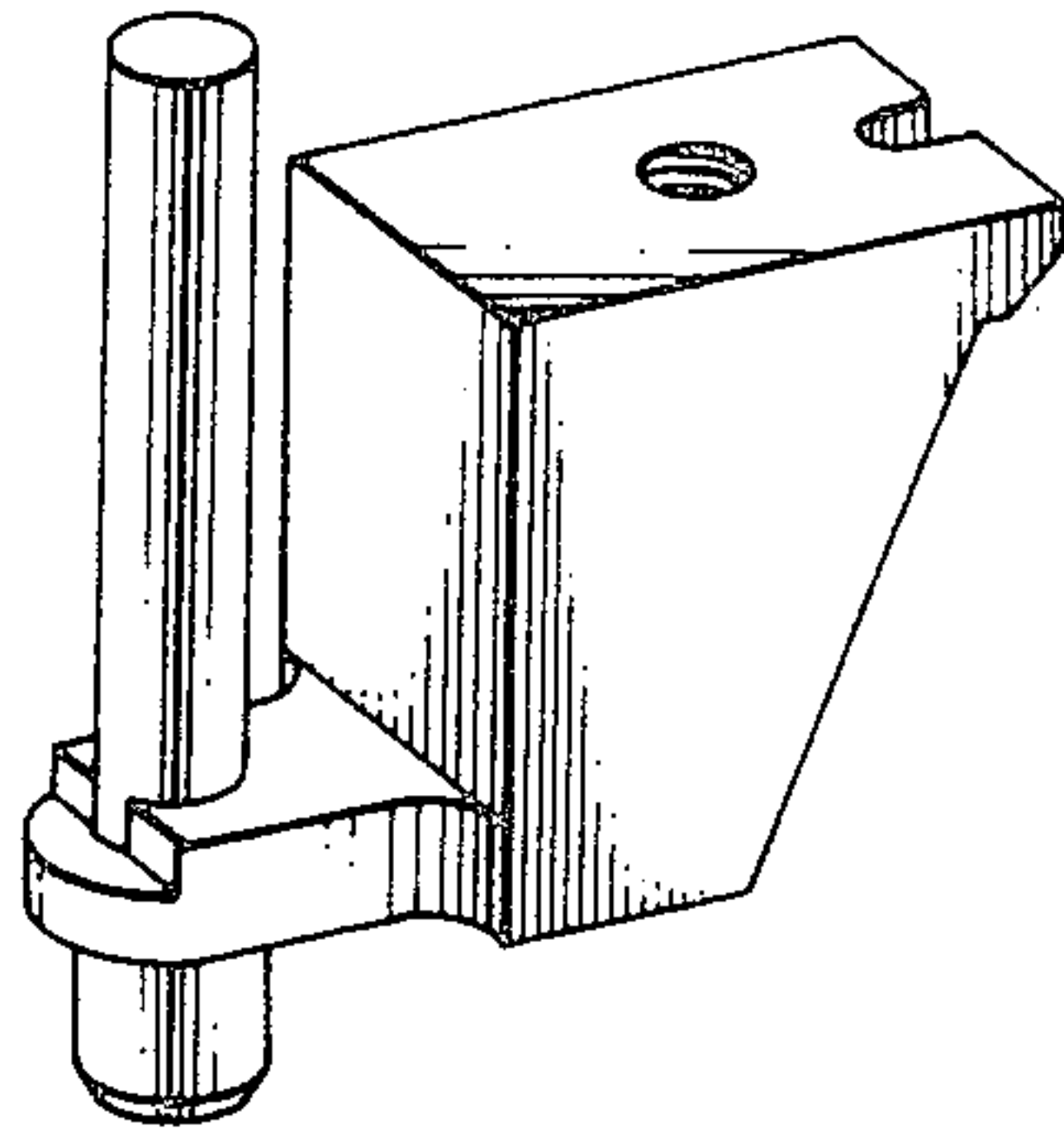


FIG. 2

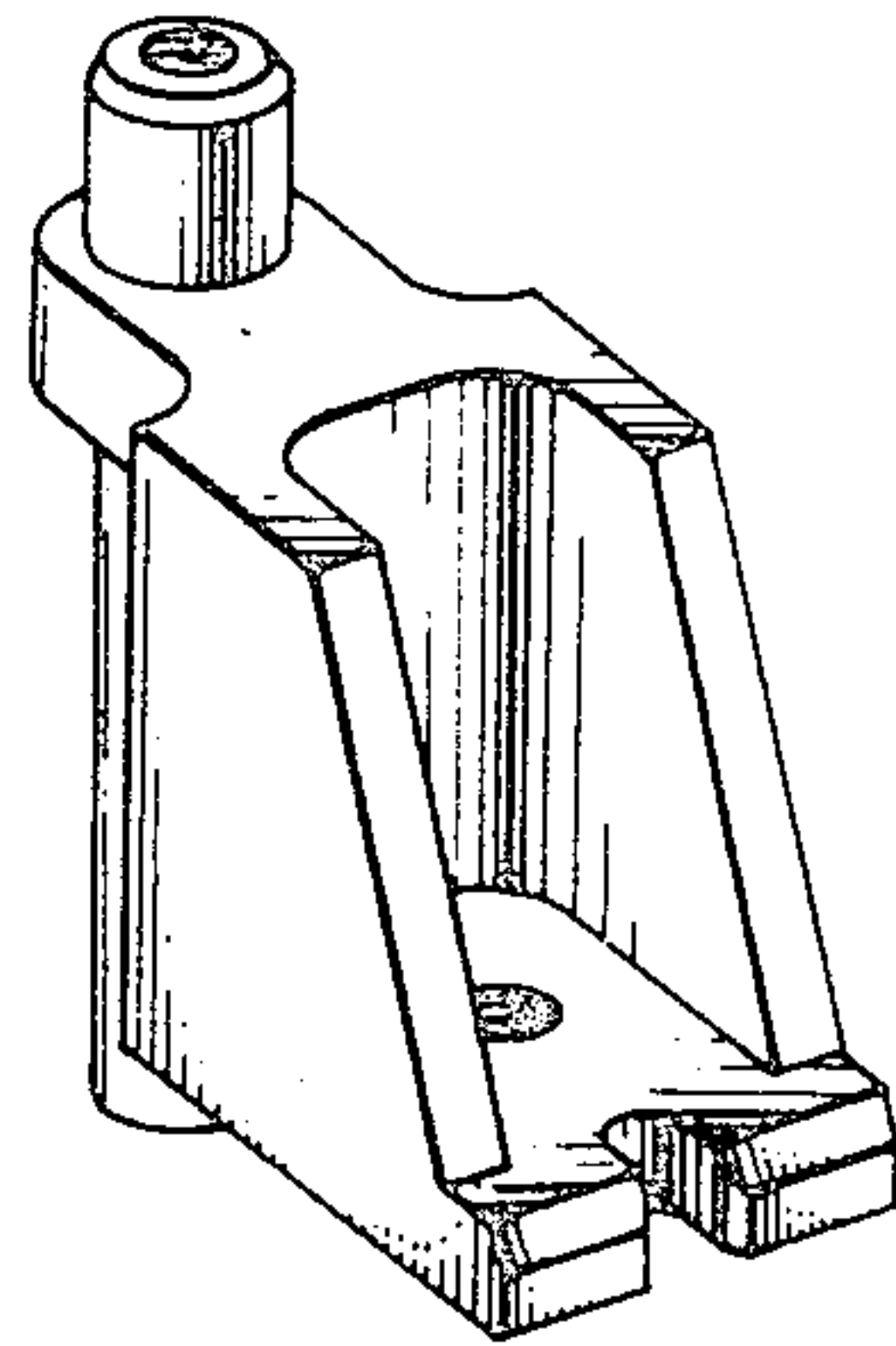


FIG. 3

