

[54] PRINTING HAMMER FOR DOT PRINTER

[75] Inventors: Toshio Kurihara, Tokorozawa; Makoto Yasunaga, Kawagoe; Masao Kunita; Seiichi Osawa, both of Sayama; Takashi Moriya, Higashi-Murayama, all of Japan

[73] Assignee: Citizen Watch Co., Ltd., Tokyo, Japan

[**] Term: 14 Years

[21] Appl. No.: 484,487

[22] Filed: Apr. 13, 1983

[30] Foreign Application Priority Data

Oct. 20, 1982 [JP] Japan 57-47377
[52] U.S. Cl. D18/22
[58] Field of Search D18/12, 13, 22, 23, D18/99; D14/114; 400/121; 101/93.04

[56] References Cited

U.S. PATENT DOCUMENTS

4,462,702 7/1984 Fritz et al. 400/121 X
4,481,880 11/1984 Kurosawa et al. 101/93.04
4,484,519 11/1984 Kurihara et al. 400/121 X

FOREIGN PATENT DOCUMENTS

27376 3/1981 Japan 101/93.04

OTHER PUBLICATIONS

Printronix Model 300 Printer Maintenance Manual, 5/1977, p. 81.

Primary Examiner—Louis S. Zarfes
Attorney, Agent, or Firm—Cushman, Darby & Cushman

[57] CLAIM

The ornamental design for a printing hammer for dot printer, as shown.

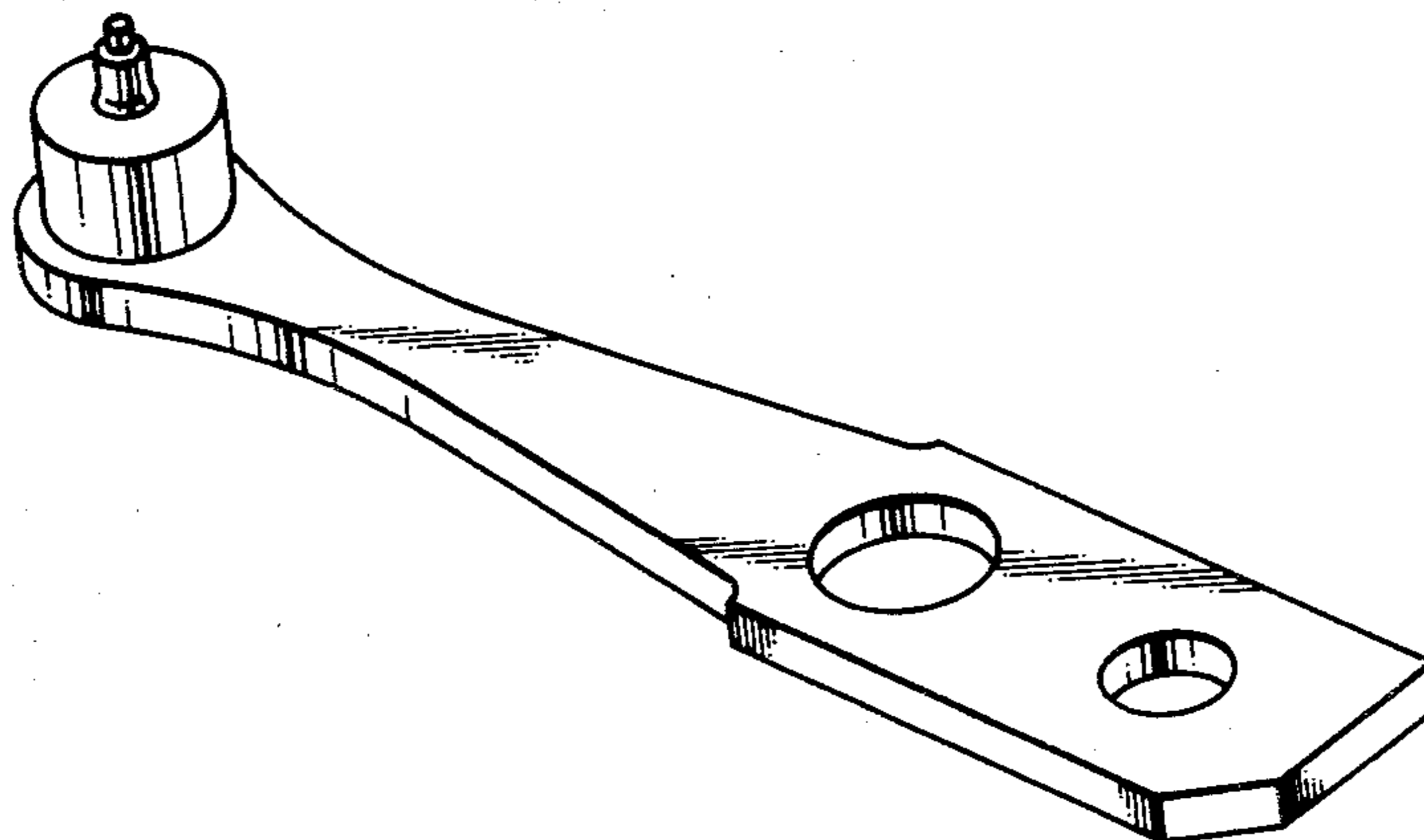
DESCRIPTION

FIG. 1 is a rear, top and right side perspective view of a printing hammer for dot printer showing our new design;

FIG. 2 is a left side elevational view thereof;

FIG. 3 is a top plan view thereof; and

FIG. 4 is a bottom plan view thereof.



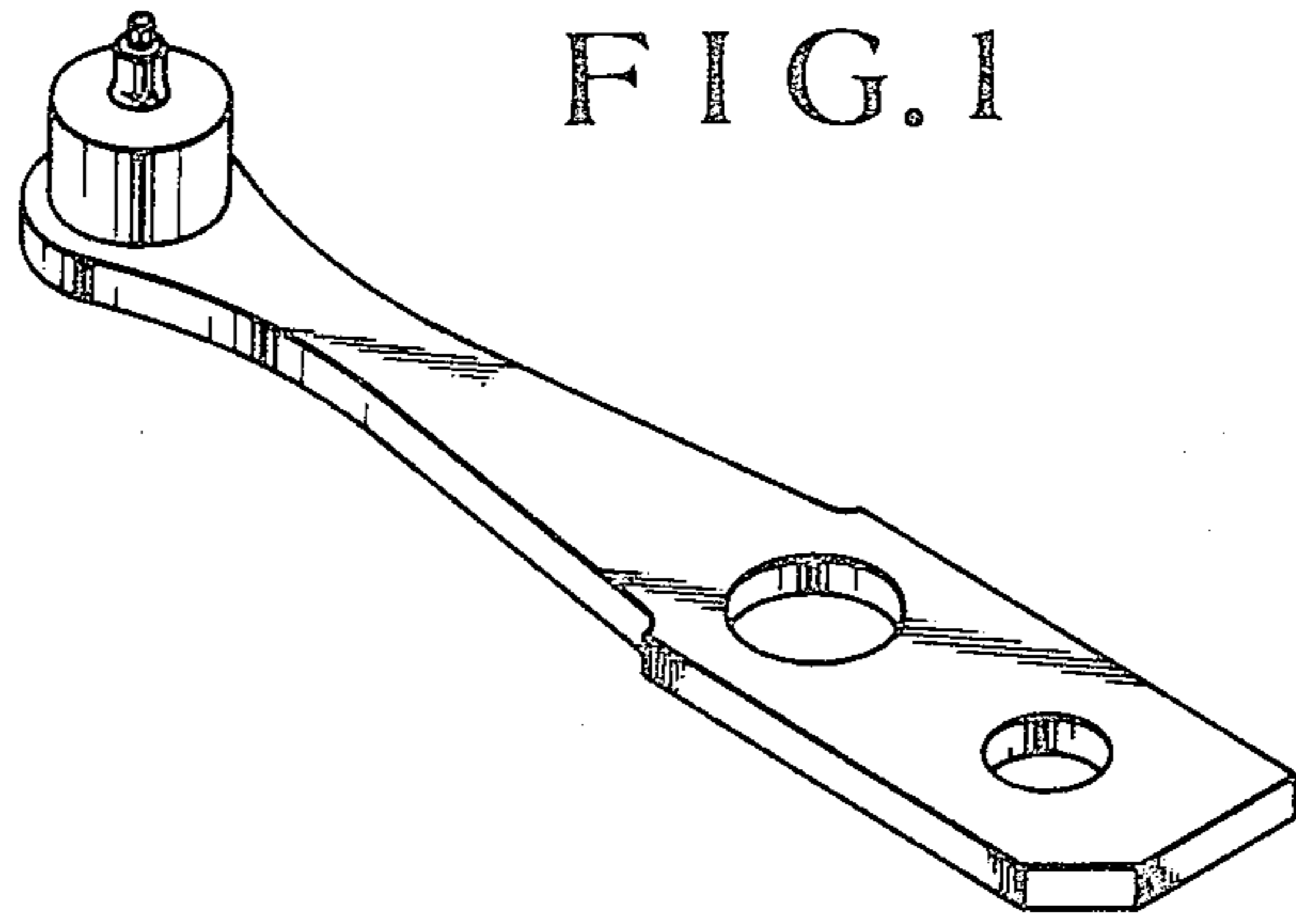


FIG. 1

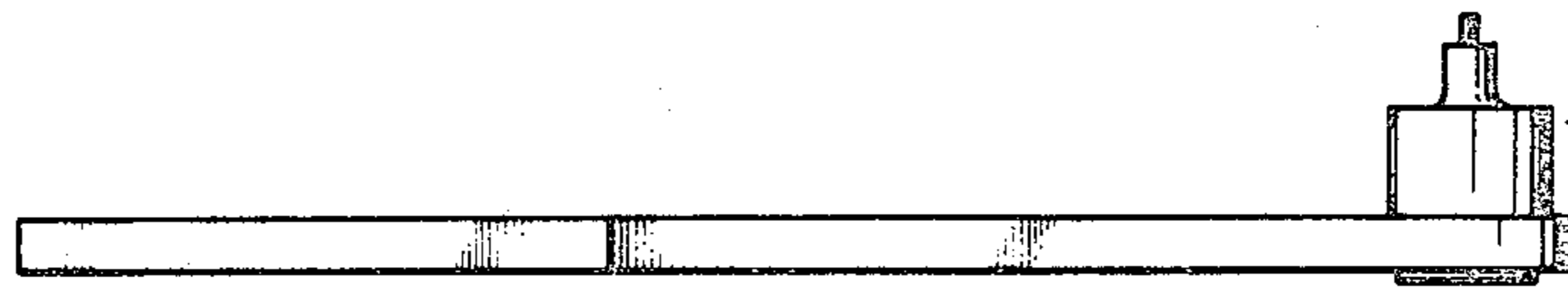


FIG. 2

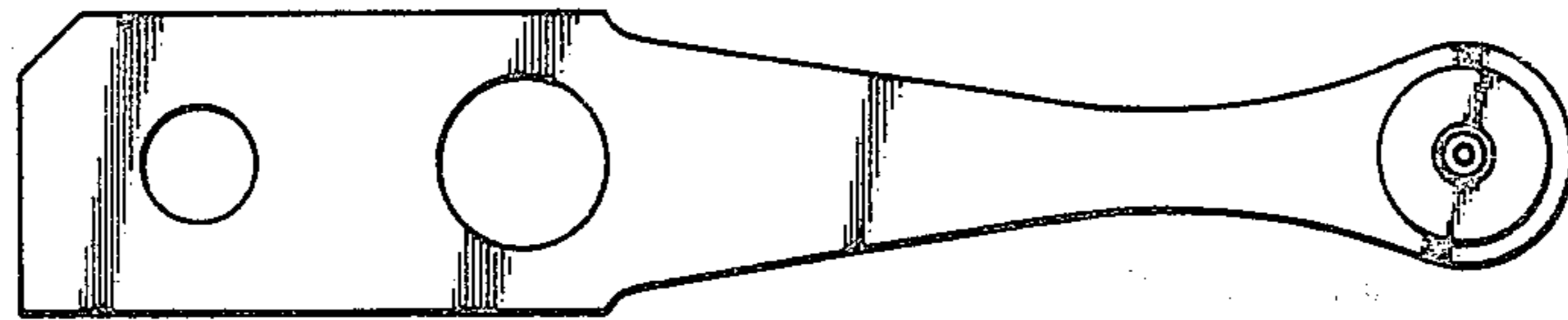


FIG. 3

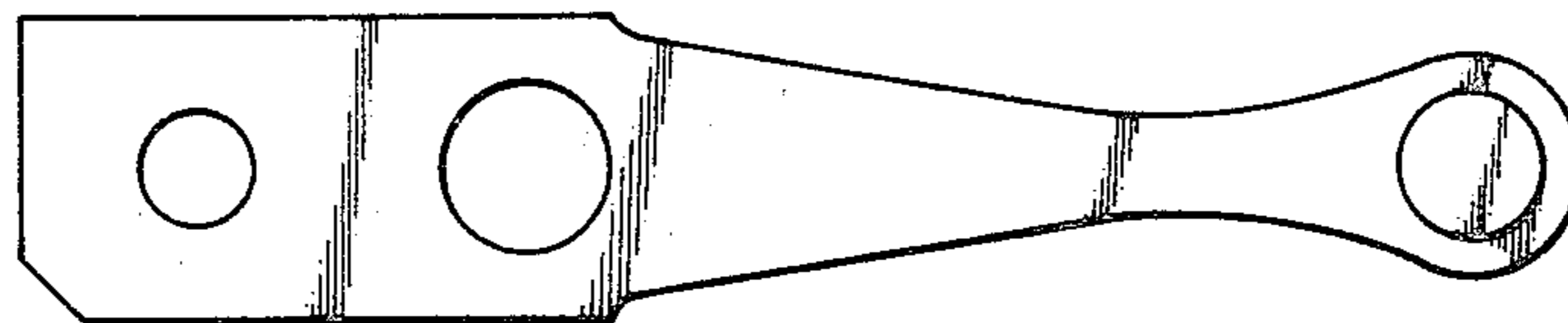


FIG. 4