

[54] **STRINGED MUSICAL INSTRUMENT**

1,747,650 2/1930 Sawyer 84/293 X

[76] Inventor: **James R. Stolhand**, P.O. Box 285,
Odell, Oreg. 97044

Primary Examiner—Jane E. Corrigan
Attorney, Agent, or Firm—Chernoff, Vilhauer,
McClung, Birdwell & Stenzel

[**] Term: **14 Years**

[21] Appl. No.: **513,346**

[57] **CLAIM**

[22] Filed: **Jul. 13, 1983**

The ornamental design for a stringed musical instru-
ment, as shown and described.

[52] U.S. Cl. **D17/19; D17/14;**
D17/20

[58] Field of Search **D17/14, 19, 20; 84/293**

DESCRIPTION

[56] **References Cited**

U.S. PATENT DOCUMENTS

D. 21,057 9/1891 Schumacher D17/14
D. 274,734 7/1984 Sowle D17/19 X
860,137 7/1907 Inskeep 84/293 X
1,611,648 12/1926 Lange 84/293

FIG. 1 is a front, top and right side perspective view of
a stringed musical instrument showing my new design;
FIG. 2 is a left side elevational view;
FIG. 3 is a front elevational view;
FIG. 4 is a right side elevational view;
FIG. 5 is a rear elevational view;
FIG. 6 is a top plan view; and
FIG. 7 is a bottom plan view.

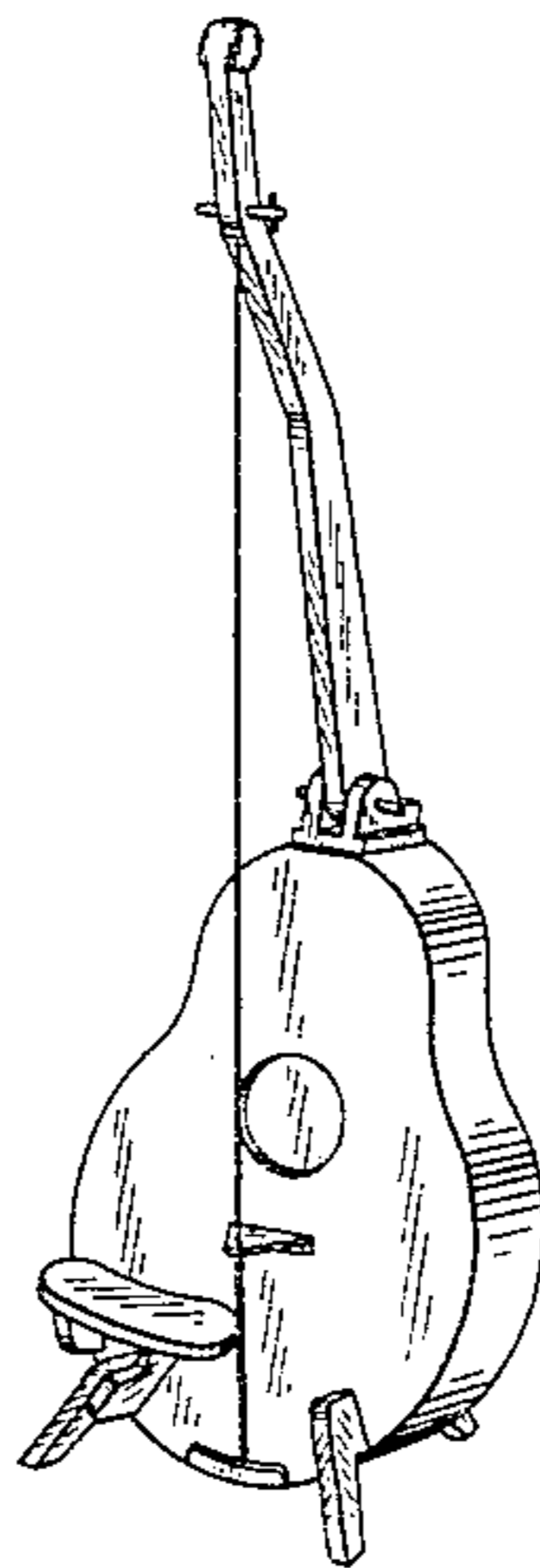


FIG. 1

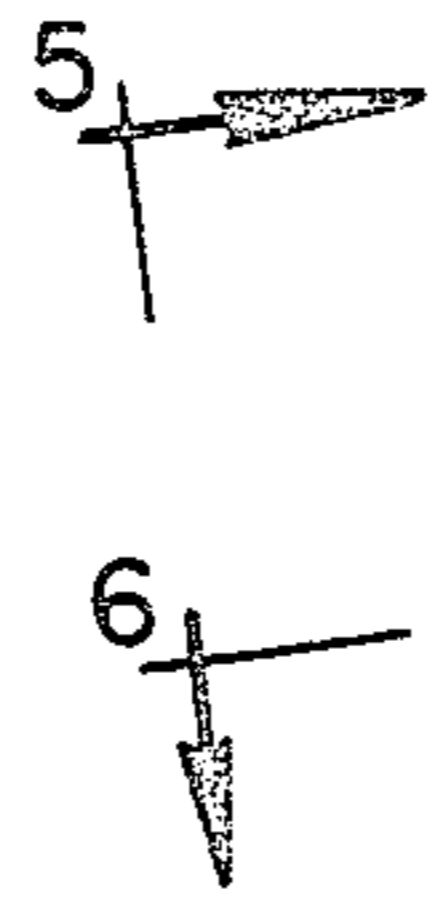
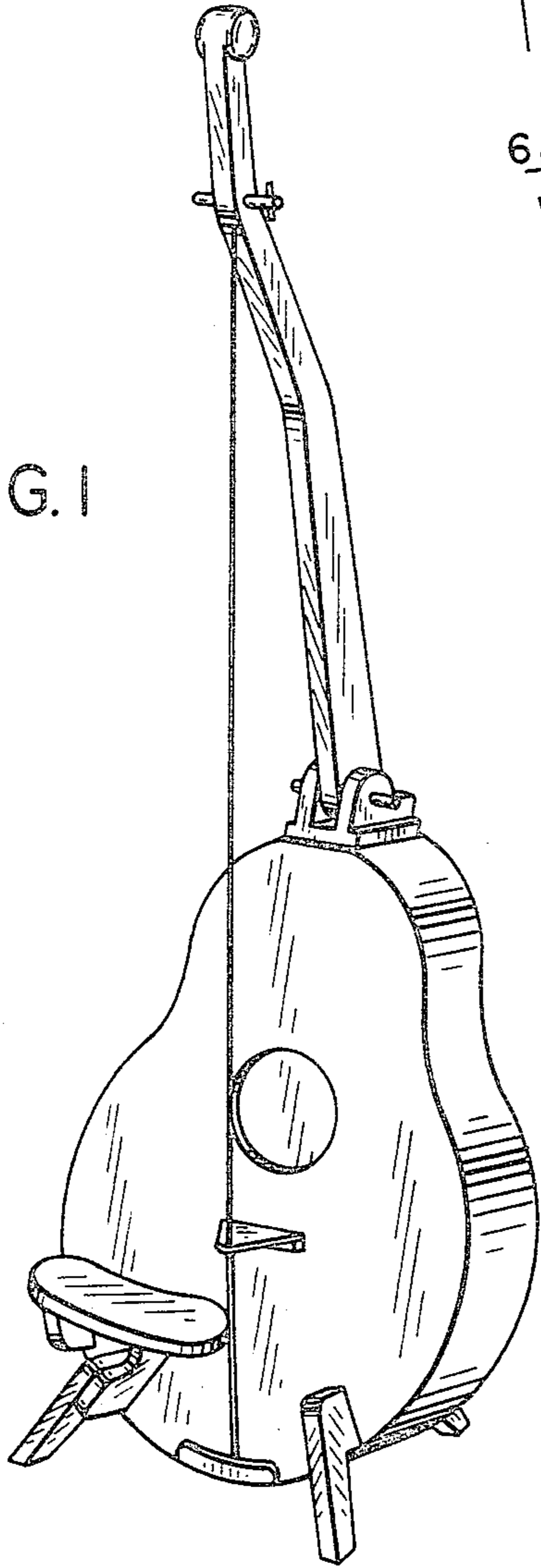


FIG. 2

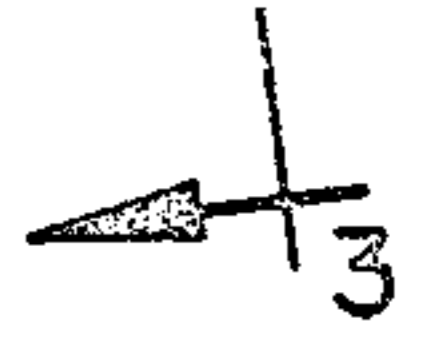
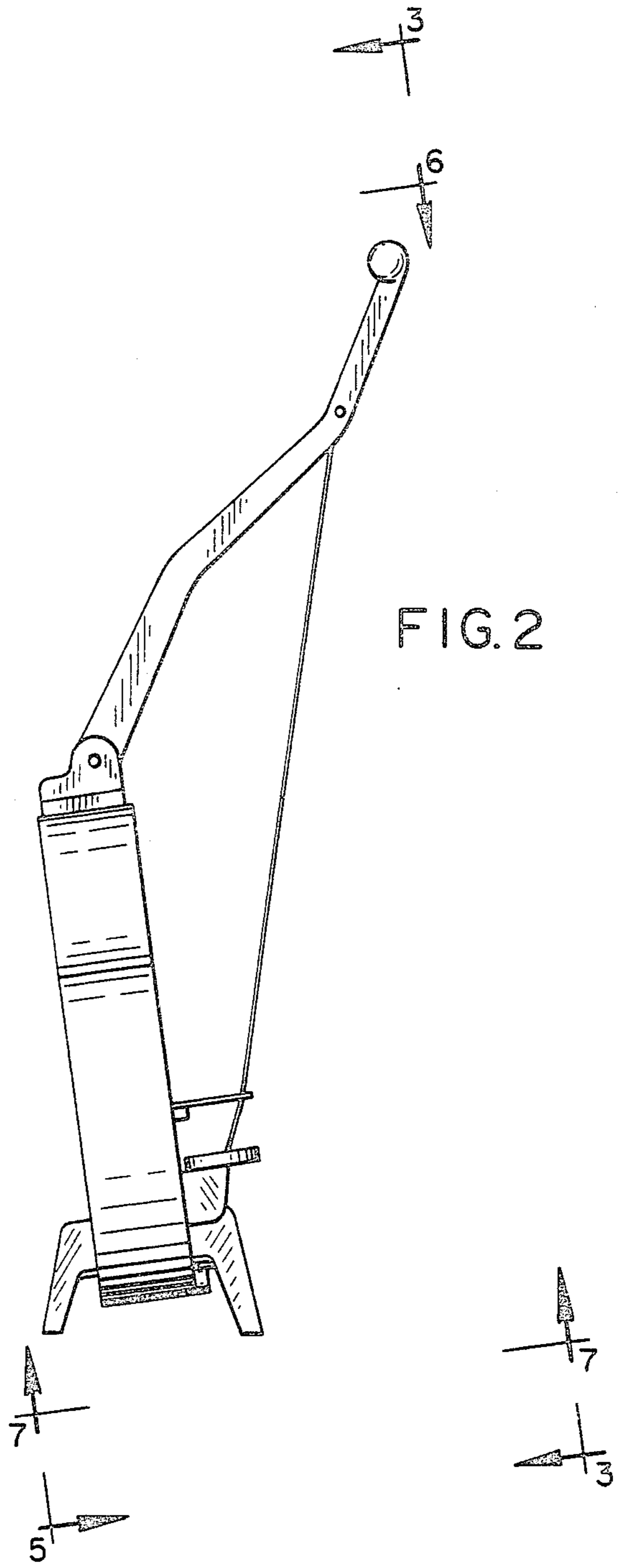


FIG. 3

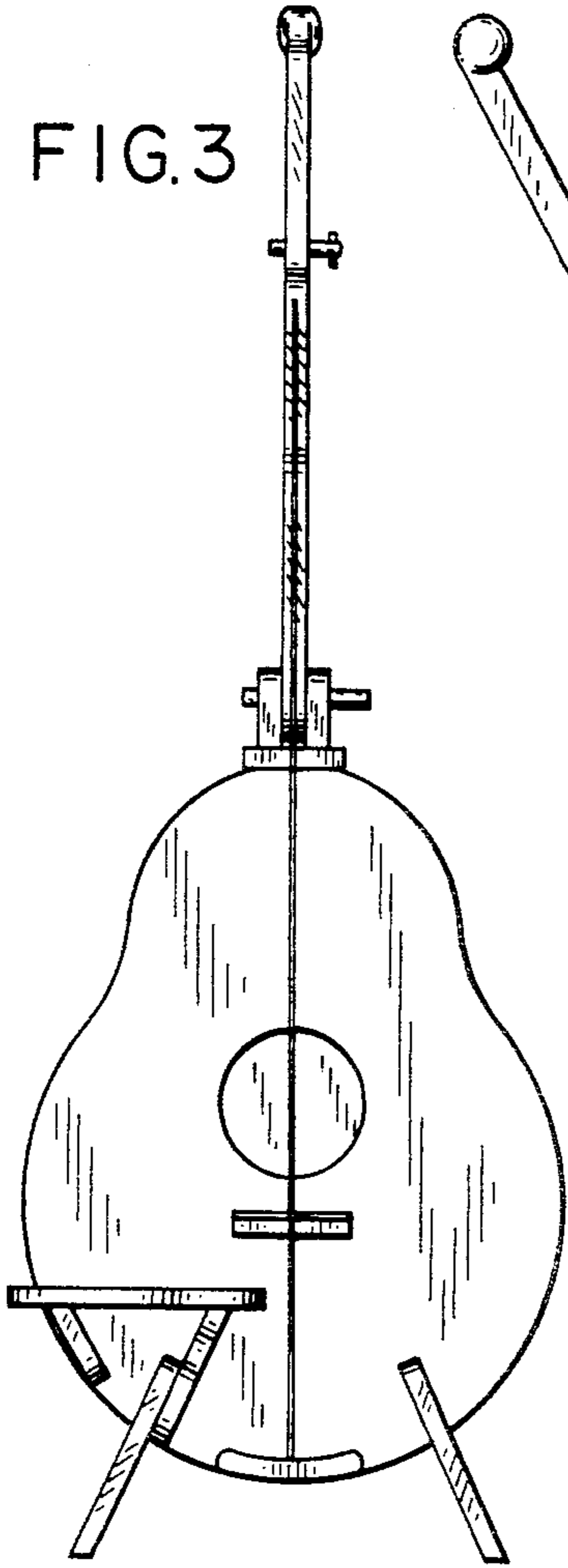


FIG. 4

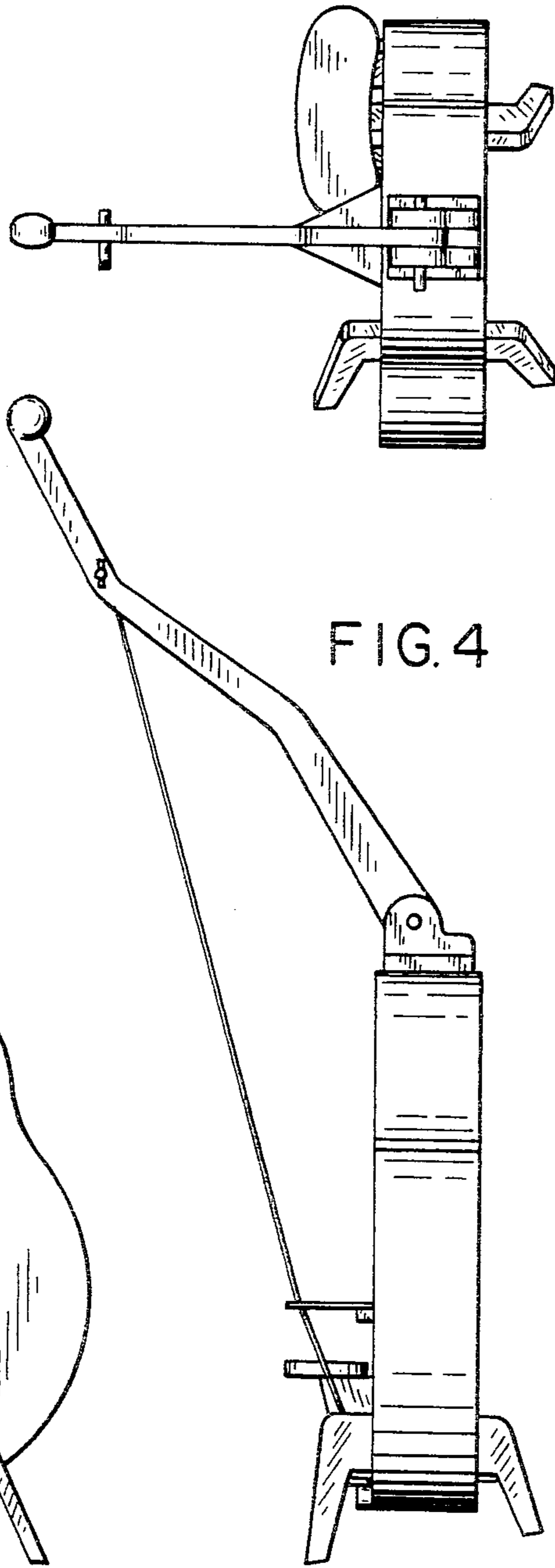


FIG. 6

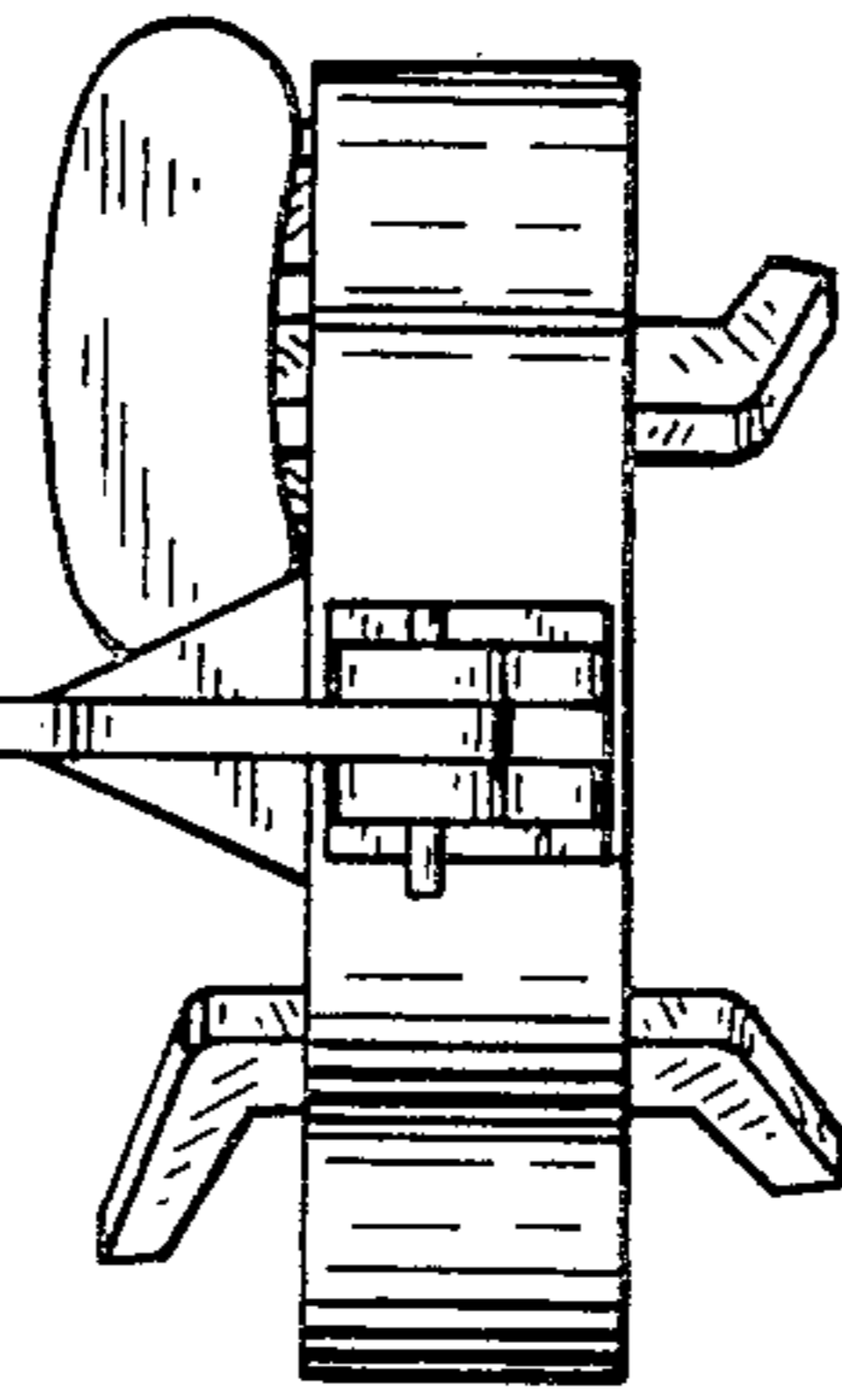


FIG. 5

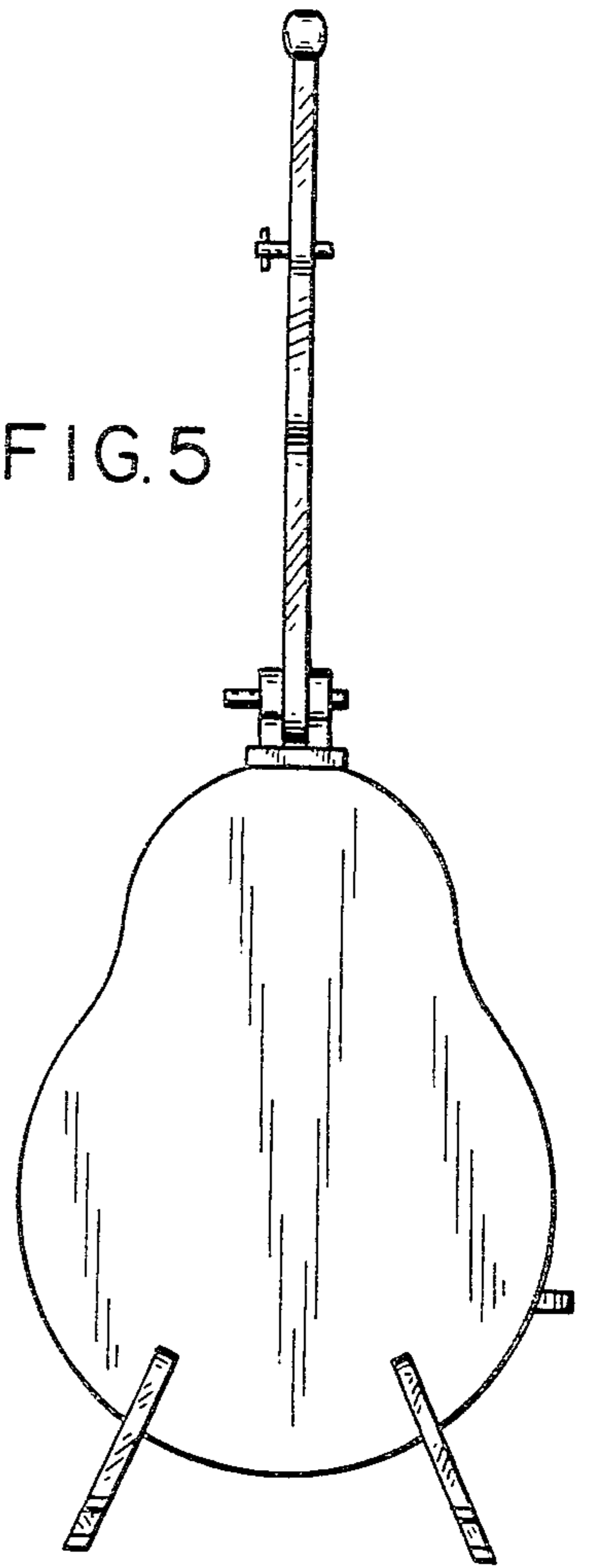


FIG. 7

