

[54] **CLAMP AND TABLE STAND**
 [75] **Inventor: Rudolph Hanke, Monheim, Fed. Rep. of Germany**
 [73] **Assignee: Hama Hamaphot KG Hanke & Thomas, Monheim, Fed. Rep. of Germany**
 [**] **Term: 14 Years**
 [21] **Appl. No.: 660,227**
 [22] **Filed: Oct. 12, 1984**

3,908,945 9/1975 Shapiro 248/181 X
 3,921,947 11/1975 Adam 248/169
 4,121,799 10/1978 Michio 248/188.7 X
 4,214,724 7/1980 Geiger 248/181 X
 4,377,269 3/1983 Sellner 248/188.7 X

FOREIGN PATENT DOCUMENTS

612722 4/1935 Fed. Rep. of Germany ... 248/DIG. 12
 730340 of 1943 Fed. Rep. of Germany ... 248/188.7
 10844 of 1887 United Kingdom 248/231.7

Primary Examiner—Nelson C. Holtje
Attorney, Agent, or Firm—Marshall, O'Toole, Gerstein, Murray & Bicknell

Related U.S. Application Data

[62] Division of Ser. No. 377,329, May 12, 1982, Pat. No. Des. 276,621.
 [52] **U.S. Cl.** **D16/45**
 [58] **Field of Search** D16/44, 45; D8/73; 248/126, 181, 188.6, 188.7, 231.7, 169, DIG. 12

[57] **CLAIM**

The ornamental design for a combined clamp and table stand, as shown and described.

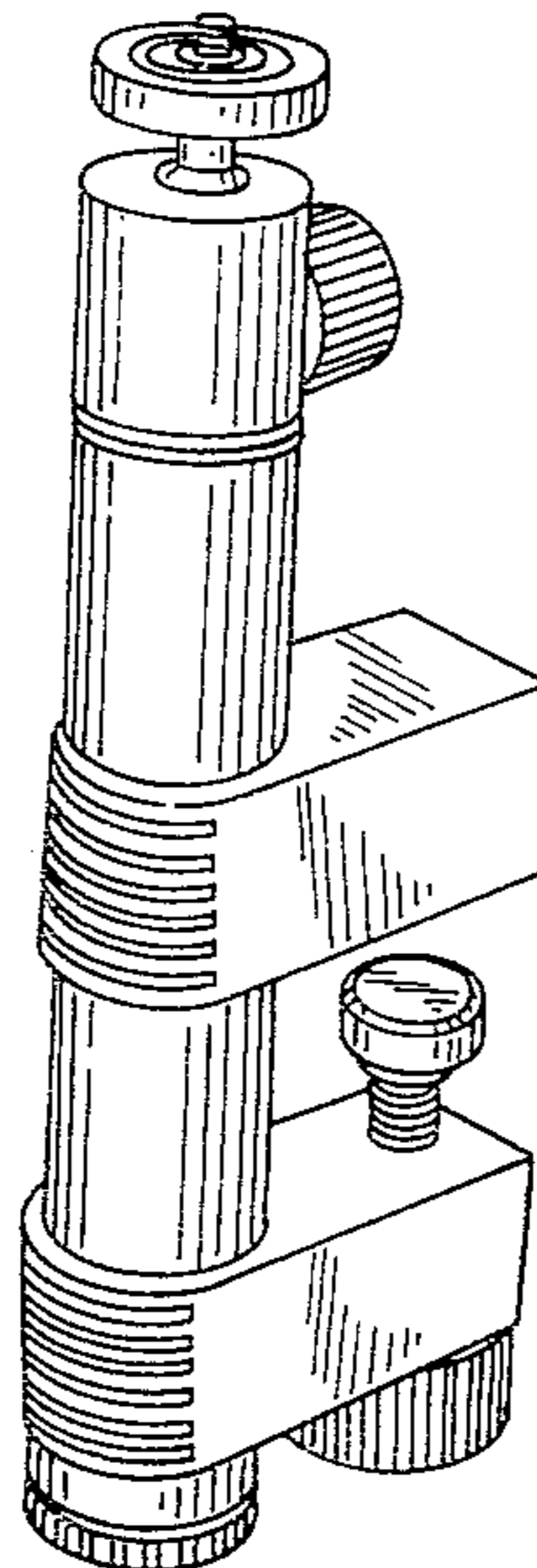
DESCRIPTION

FIG. 1 is a front and top-left perspective view of a combined clamp and table stand showing my new design;
 FIG. 2 is a rear and bottom-right perspective view thereof;
 FIG. 3 is a front and top left perspective view thereof with the tripod legs extended;
 FIG. 4 is a bottom plan view of FIG. 3.

[56] **References Cited**

U.S. PATENT DOCUMENTS

D. 257,260 10/1980 Shiraishi D16/45
 D. 276,621 12/1984 Hanke D16/45
 2,332,504 10/1943 Brenner 248/181
 2,650,788 9/1953 Hulstein 248/181 X



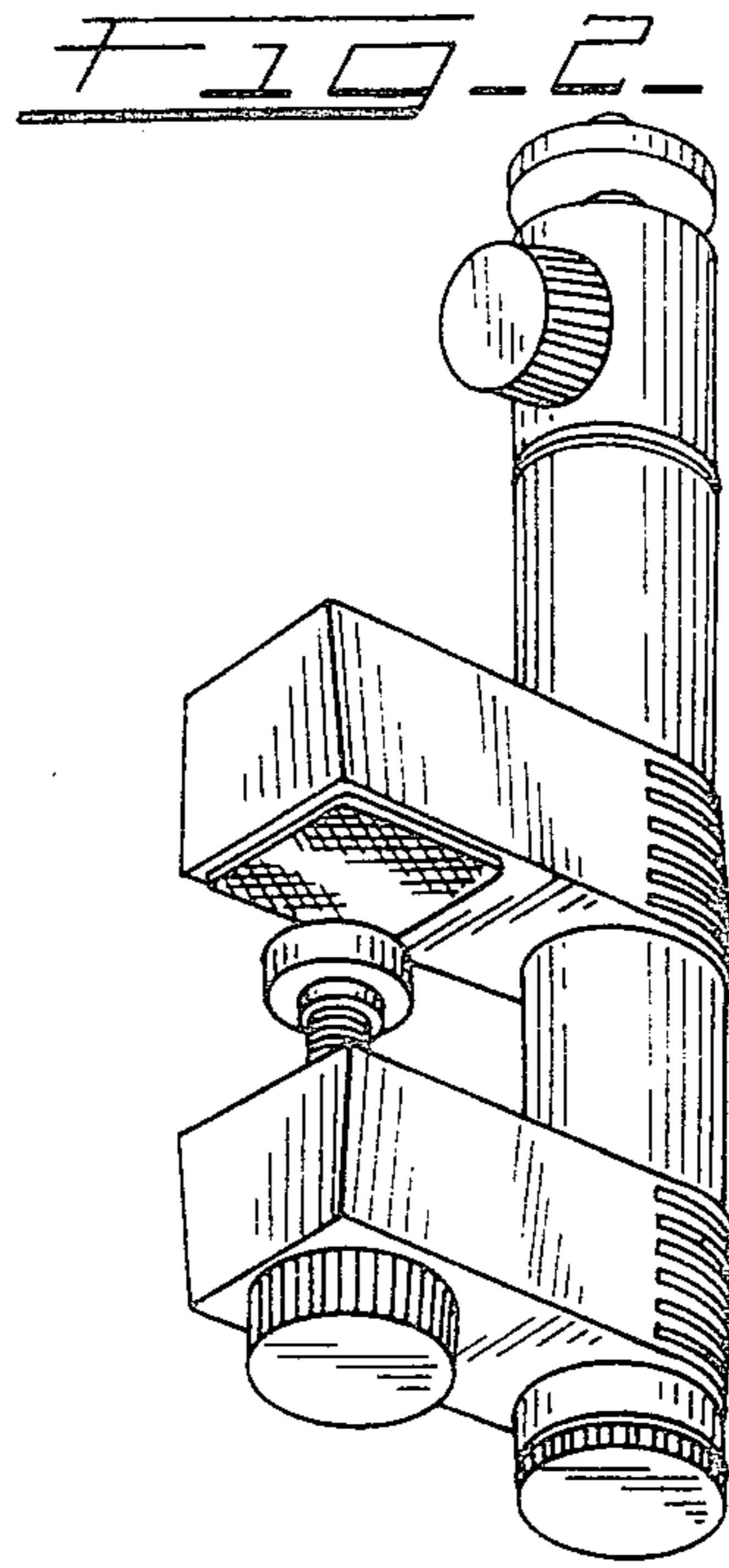
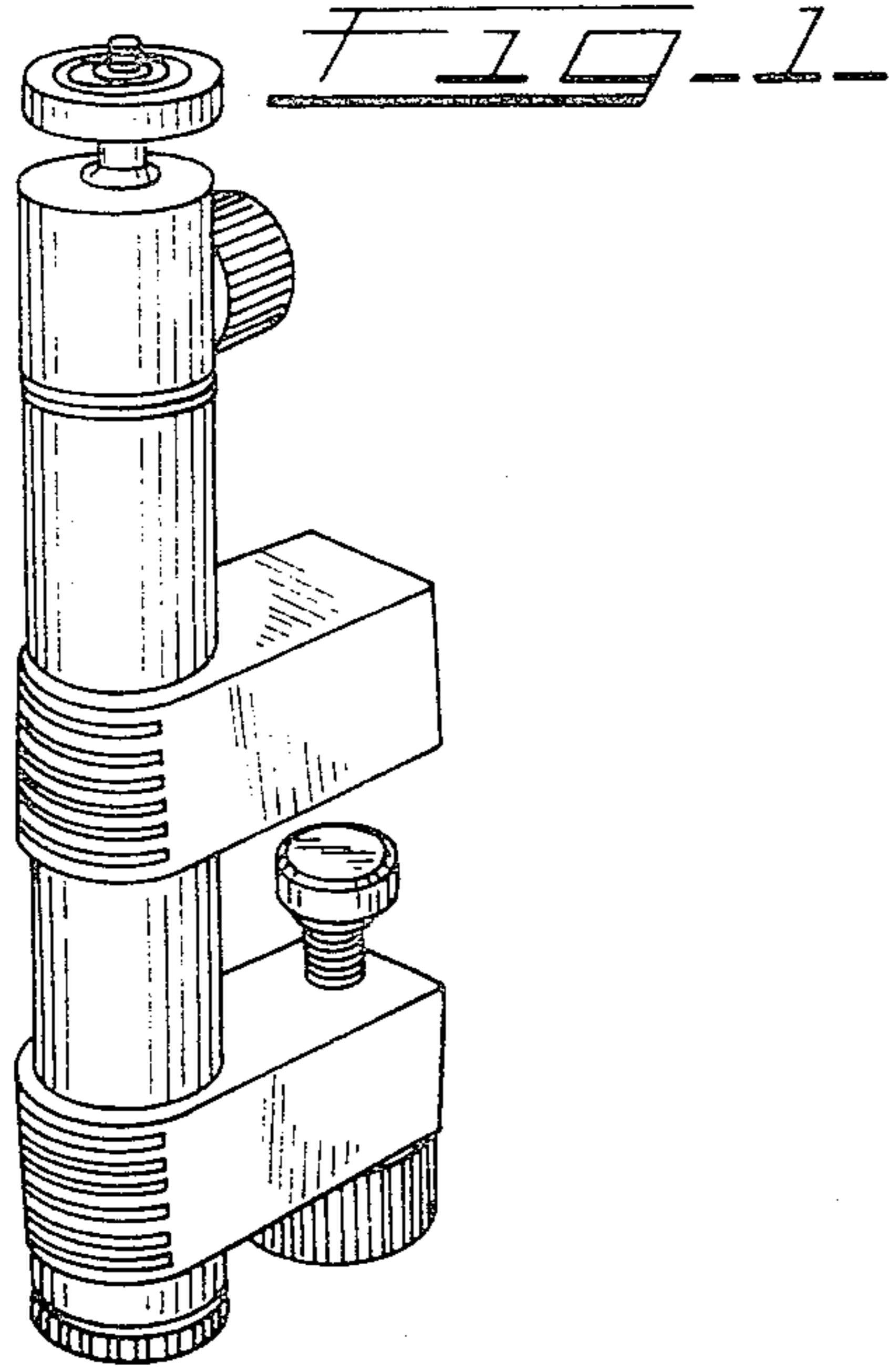


FIG. 3

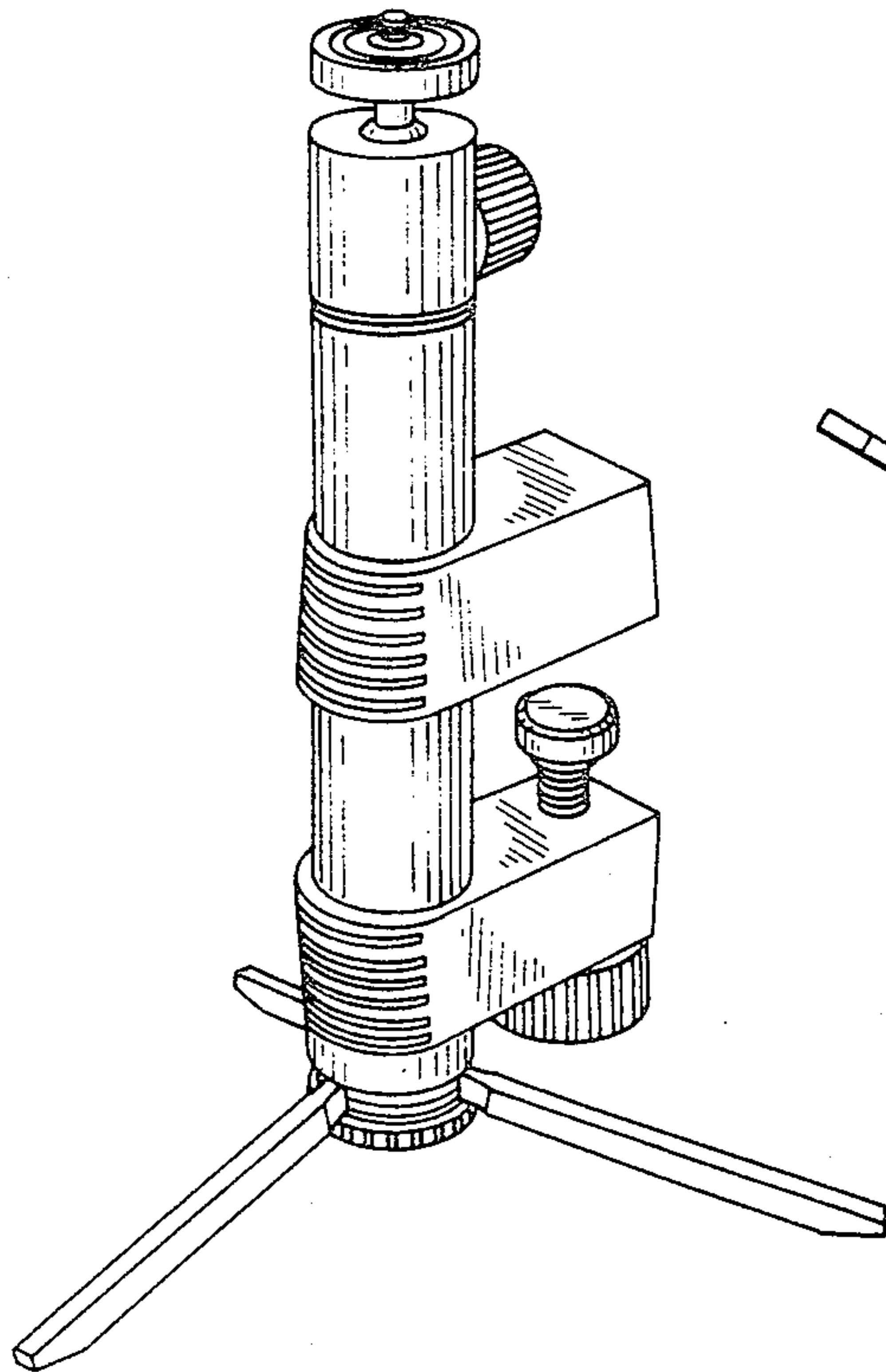


FIG. 4

