

[54] VEHICLE BODY STRAIGHTENING
TILTABLE RACK

[76] Inventor: Thomas C. Hunt, R.R. 2, Box 147C,
Rockville, Ind. 47872

[**] Term: 14 Years

[21] Appl. No.: 415,529

[22] Filed: Sep. 7, 1982

[52] U.S. Cl. D15/199

[58] Field of Search D15/199; 72/705

[56] References Cited

U.S. PATENT DOCUMENTS

| | | | |
|-----------|---------|-----------------------|--------|
| 2,692,002 | 10/1954 | Merrill et al. | 72/705 |
| 3,501,938 | 3/1970 | Sprague | 72/705 |
| 4,055,061 | 10/1977 | Bayorgeon et al. | 72/705 |
| 4,151,737 | 5/1979 | Specktor | 72/705 |
| 4,289,016 | 9/1981 | Hare | 72/705 |

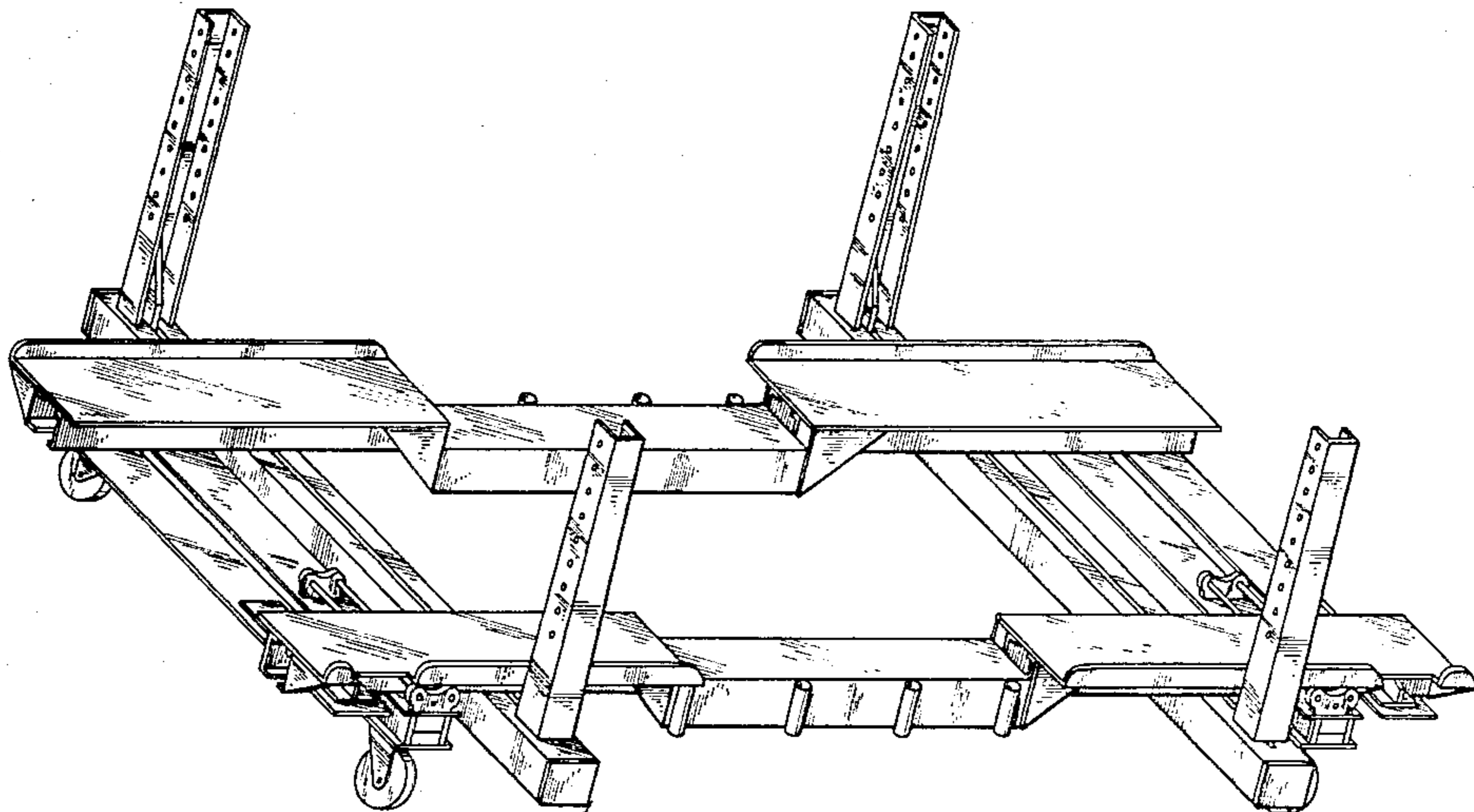
Primary Examiner—B. J. Bullock
Attorney, Agent, or Firm—Woodard, Weikart, Emhardt
& Naughton

[57] CLAIM

The ornamental design for a vehicle body straightening
tiltable rack, as shown and described.

DESCRIPTION

FIG. 1 is a top plan view of a vehicle body straightening
tiltable rack, showing my new design;
FIG. 2 is a side elevational view taken from the bottom
of FIG. 1, the broken line showing of the removable tire
receiving tracks for illustrative purposes only;
FIG. 3 is an end elevational view taken from the right of
FIG. 2, the end opposite being a mirror image thereof;
FIG. 4 is a bottom plan view thereof.
FIG. 5 is a side elevational view taken from the side
opposite that shown in FIG. 2.
FIG. 6 is a perspective view thereof.



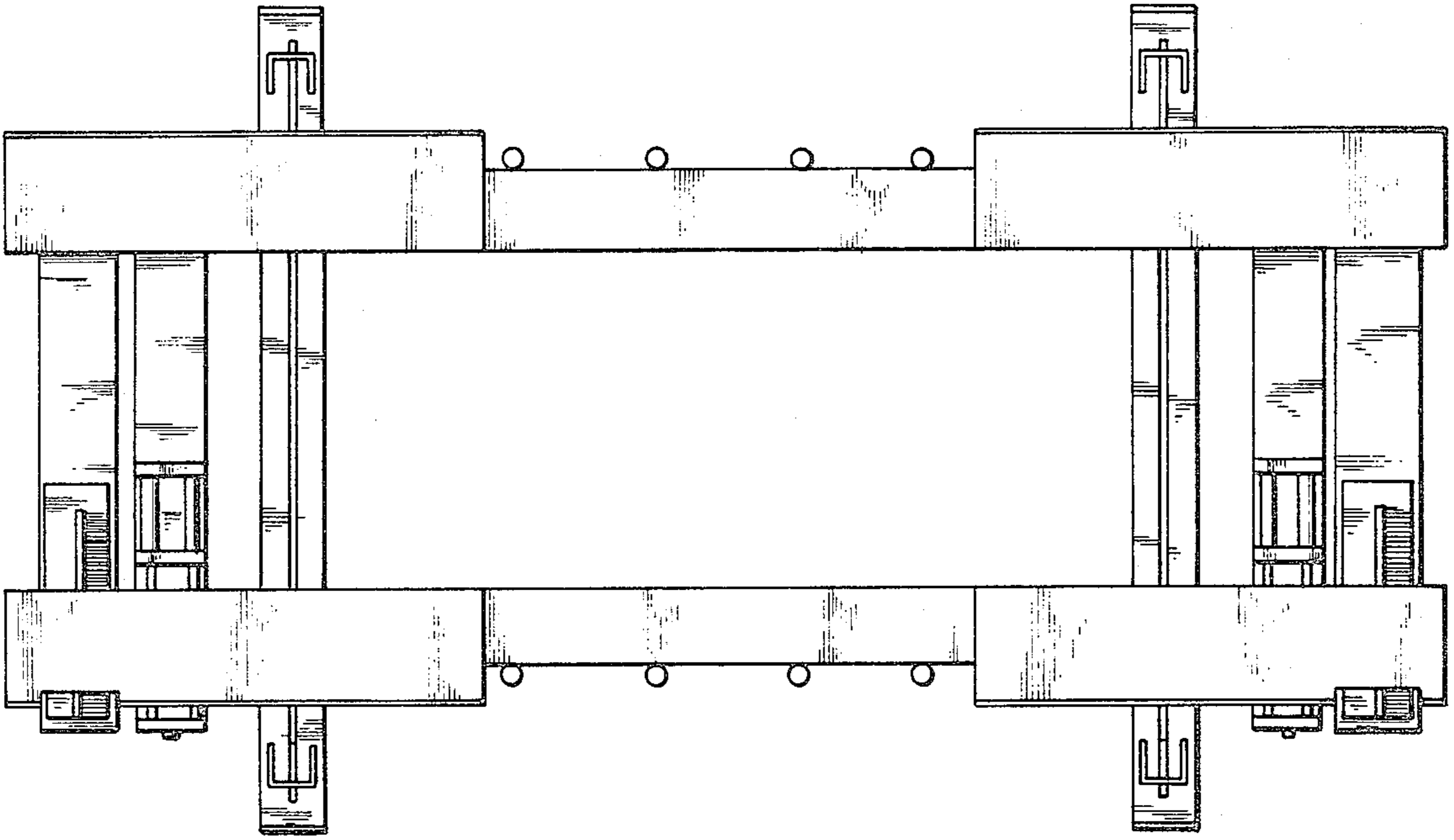


Fig. 1

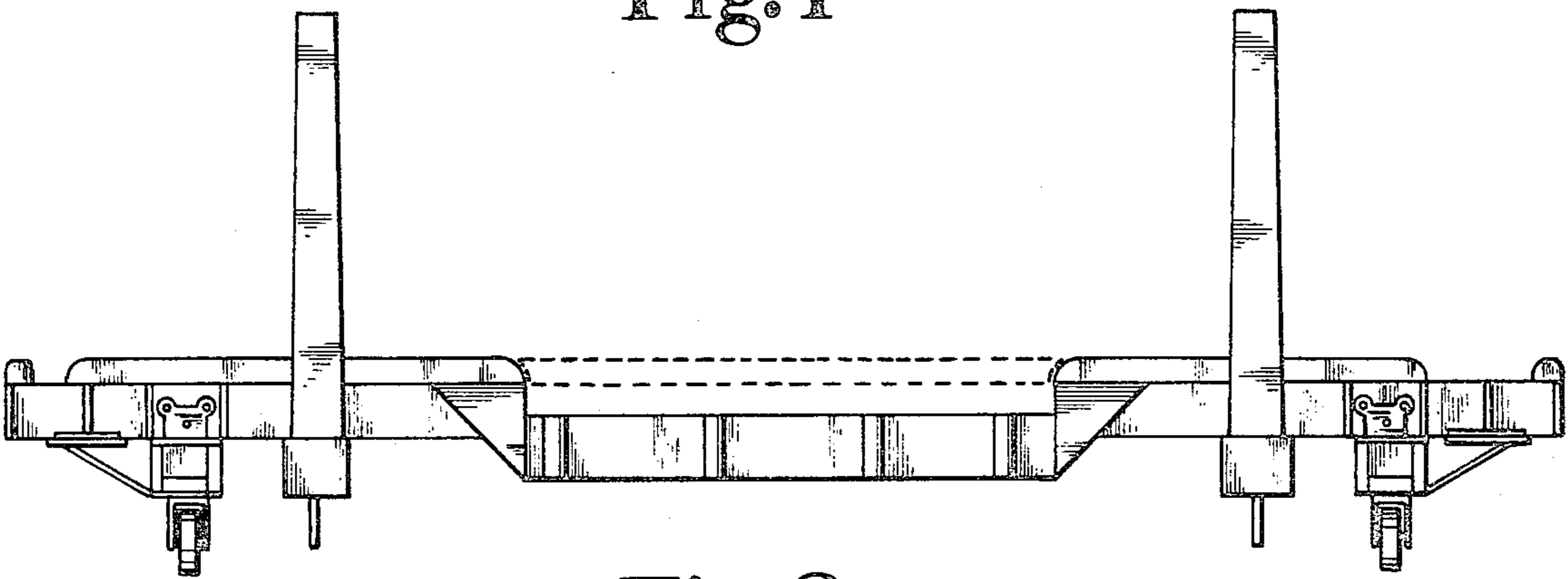


Fig. 2

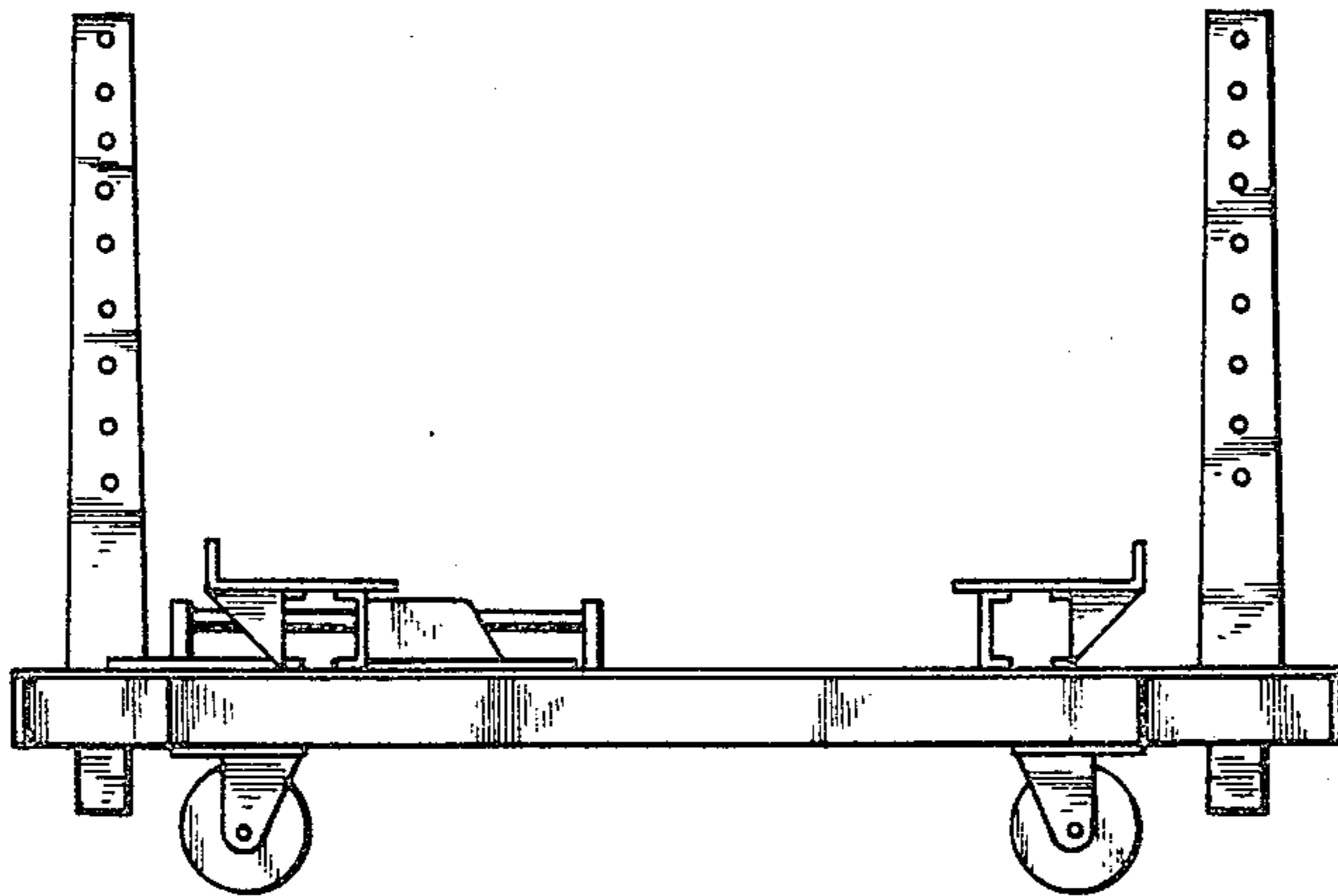


Fig. 3

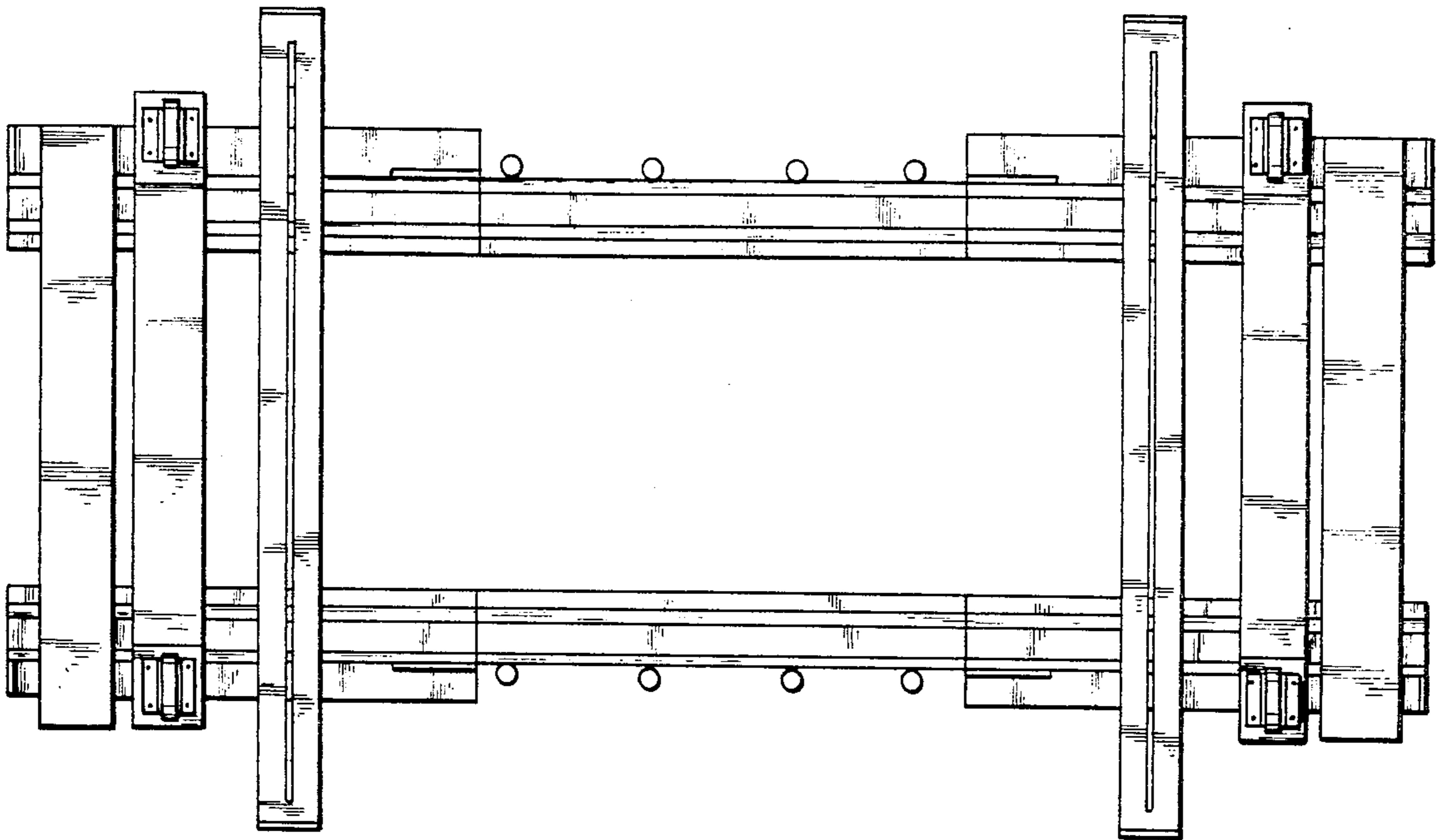


Fig. 4

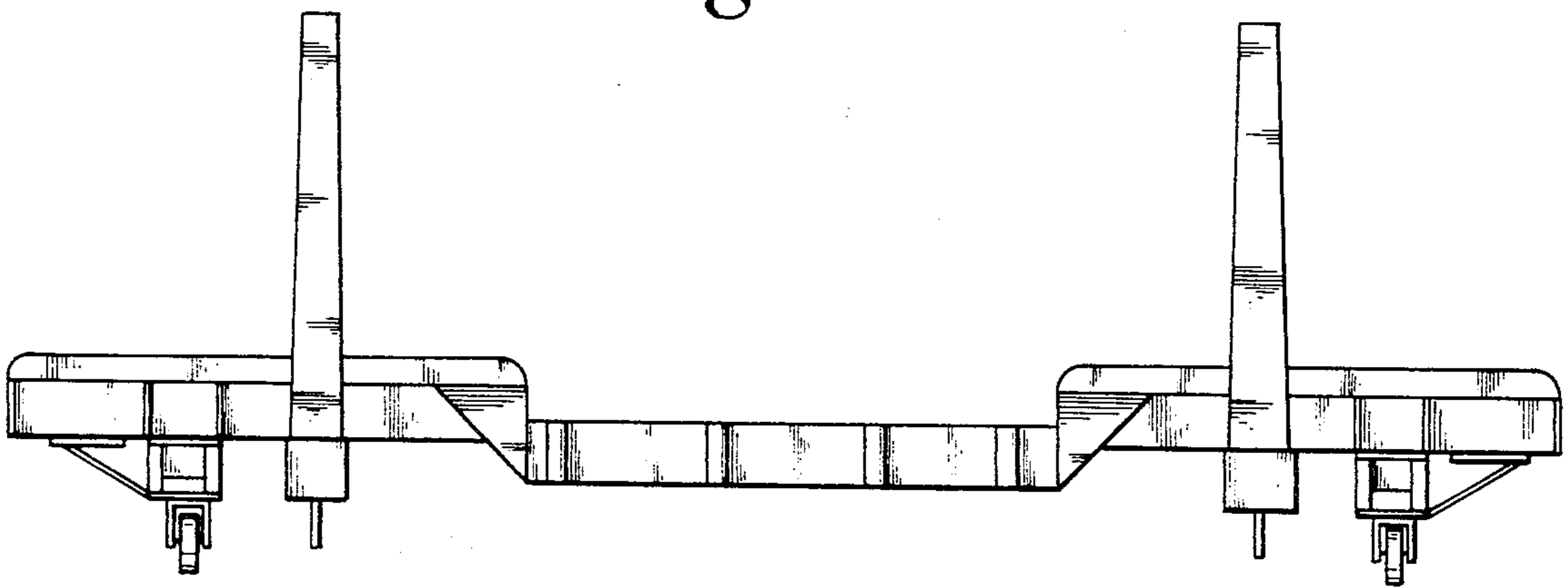


Fig. 5

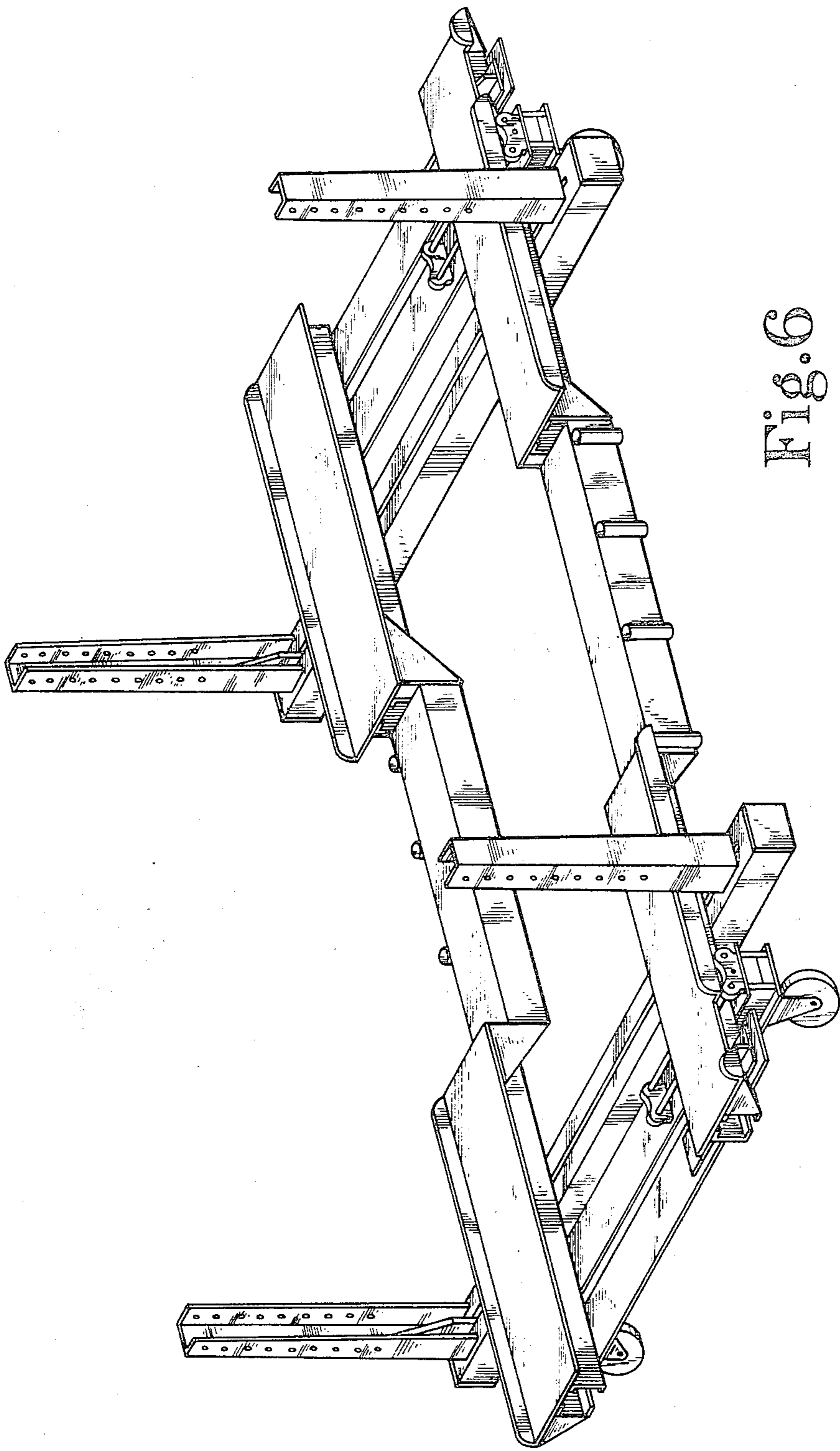


Fig. 6