

# United States Patent [19]

Karliner et al.

[11] Patent Number: **Des. 281,070**

[45] Date of Patent: **\*\* Oct. 22, 1985**

[54] **FLUID PUMP HOUSING**

[75] Inventors: **Rudolf R. Karliner**, Minnetonka, Minn.; **Douglas W. Smith**, Belle Mead, N.J.

[73] Assignee: **Wagner Spray Tech Corporation**, Minneapolis, Minn.

[\*\*] Term: **14 Years**

[21] Appl. No.: **449,571**

[22] Filed: **Dec. 14, 1982**

[52] U.S. Cl. .... **D15/7**

[58] Field of Search ..... **D15/7; 417/234; 415/411**

[56] **References Cited**

**U.S. PATENT DOCUMENTS**

D. 120,537 5/1940 Beckett ..... **D15/7**

D. 130,609 12/1941 Bowen ..... **D15/7**  
D. 198,608 7/1964 Rhodes ..... **D15/7**

*Primary Examiner*—Wallace R. Burke  
*Assistant Examiner*—Lynn Wilder  
*Attorney, Agent, or Firm*—Hill, Van Santen, Steadman & Simpson

[57] **CLAIM**

The ornamental design for a fluid pump housing, or similar article substantially as shown.

**DESCRIPTION**

FIG. 1 is a perspective view of a fluid pump housing or similar article showing our new design; FIG. 2 is a front elevational view thereof; FIG. 3 is a right side elevational view thereof; FIG. 4 is a rear elevational view thereof; FIG. 5 is a left side elevational view thereof; FIG. 6 is a top plan view thereof; and FIG. 7 is a bottom plan view thereof.

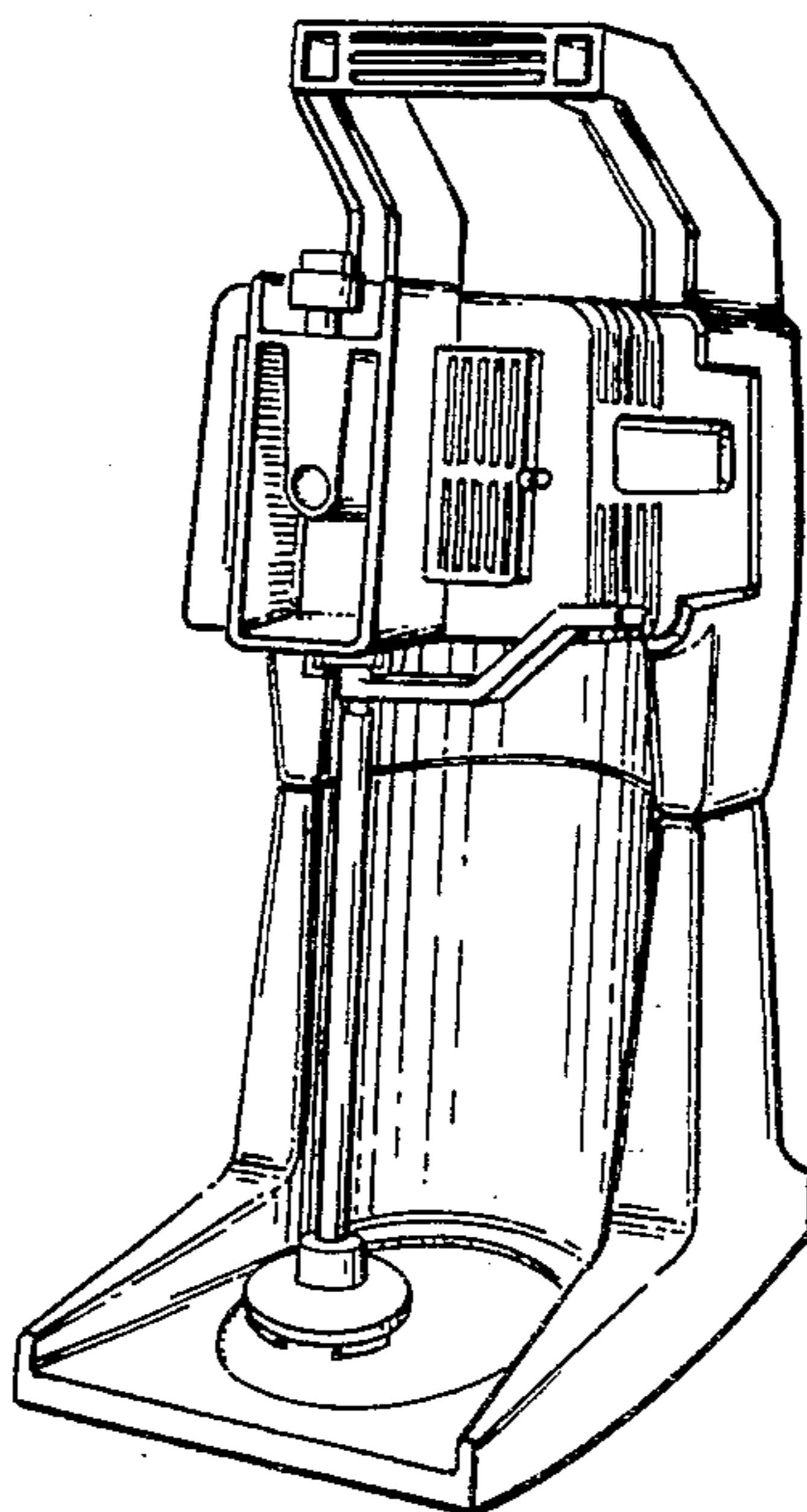


FIG. 1

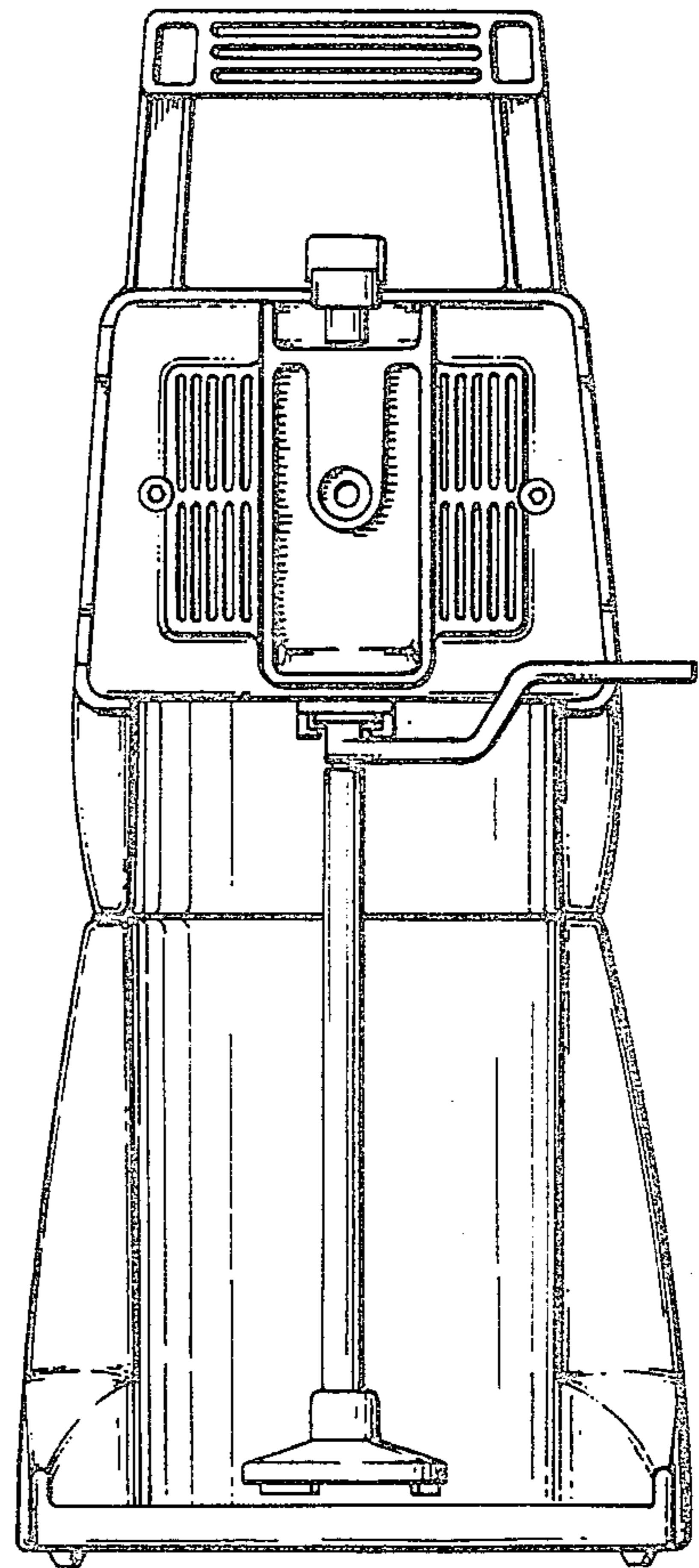
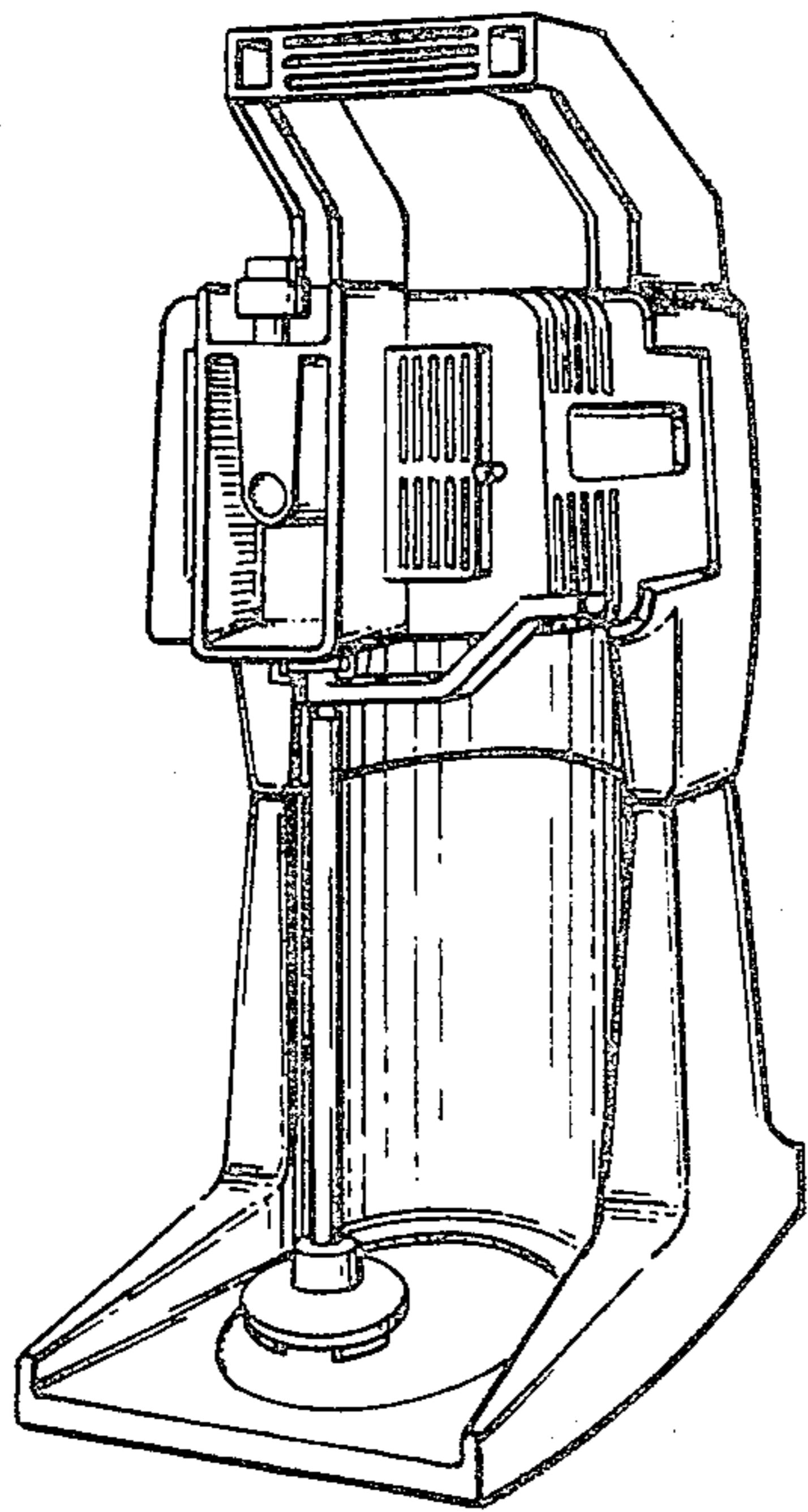


FIG. 2

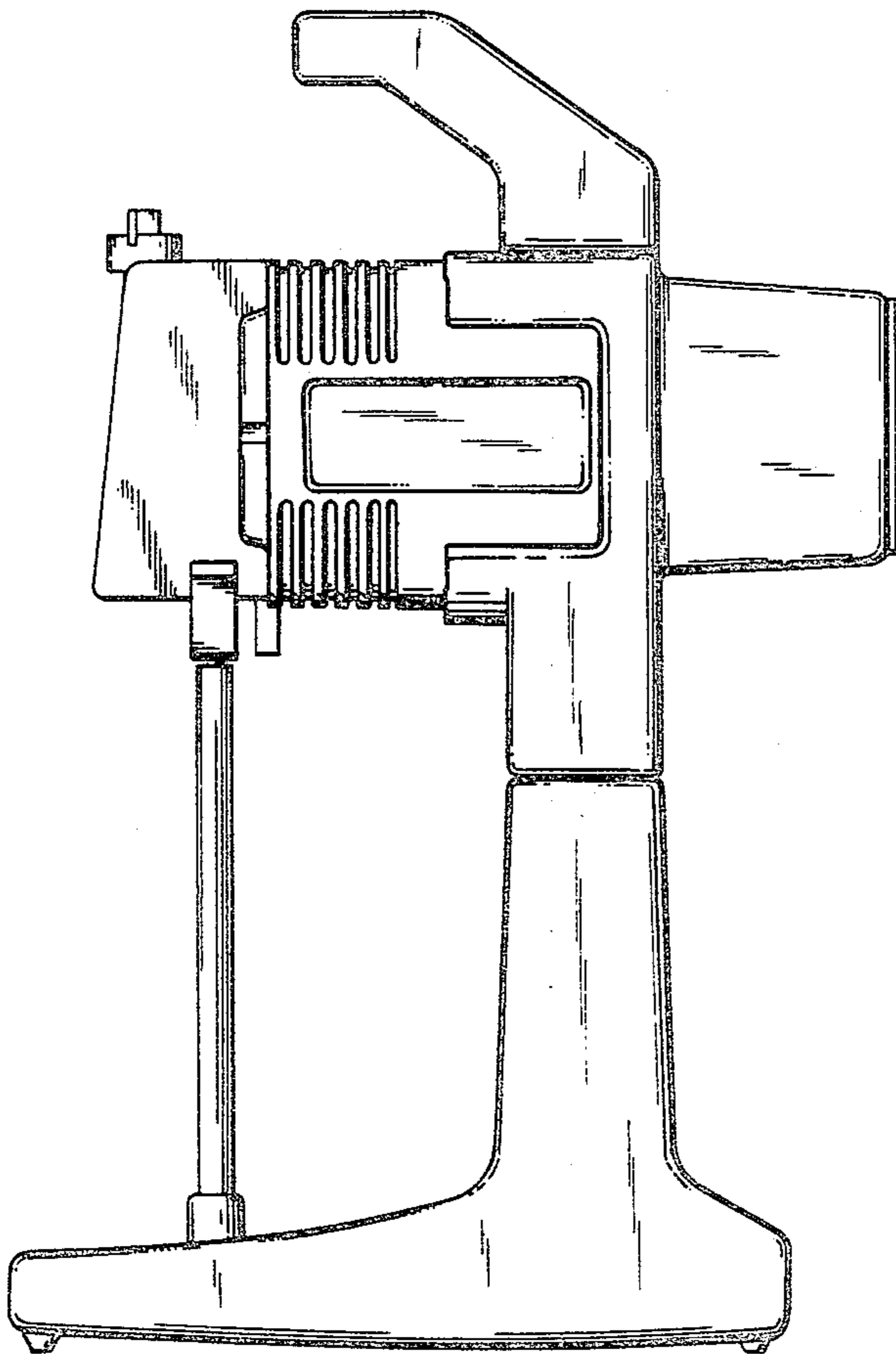


FIG. 3

FIG. 4

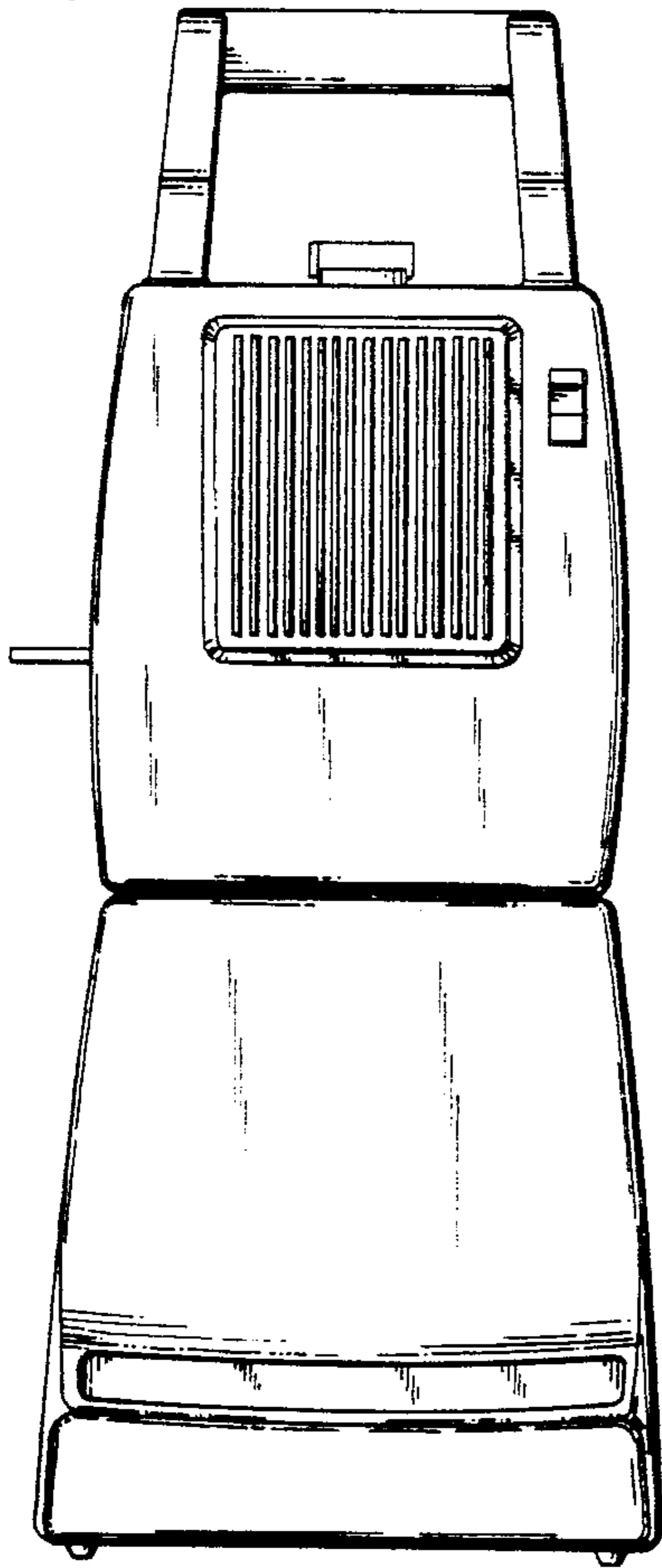


FIG. 5

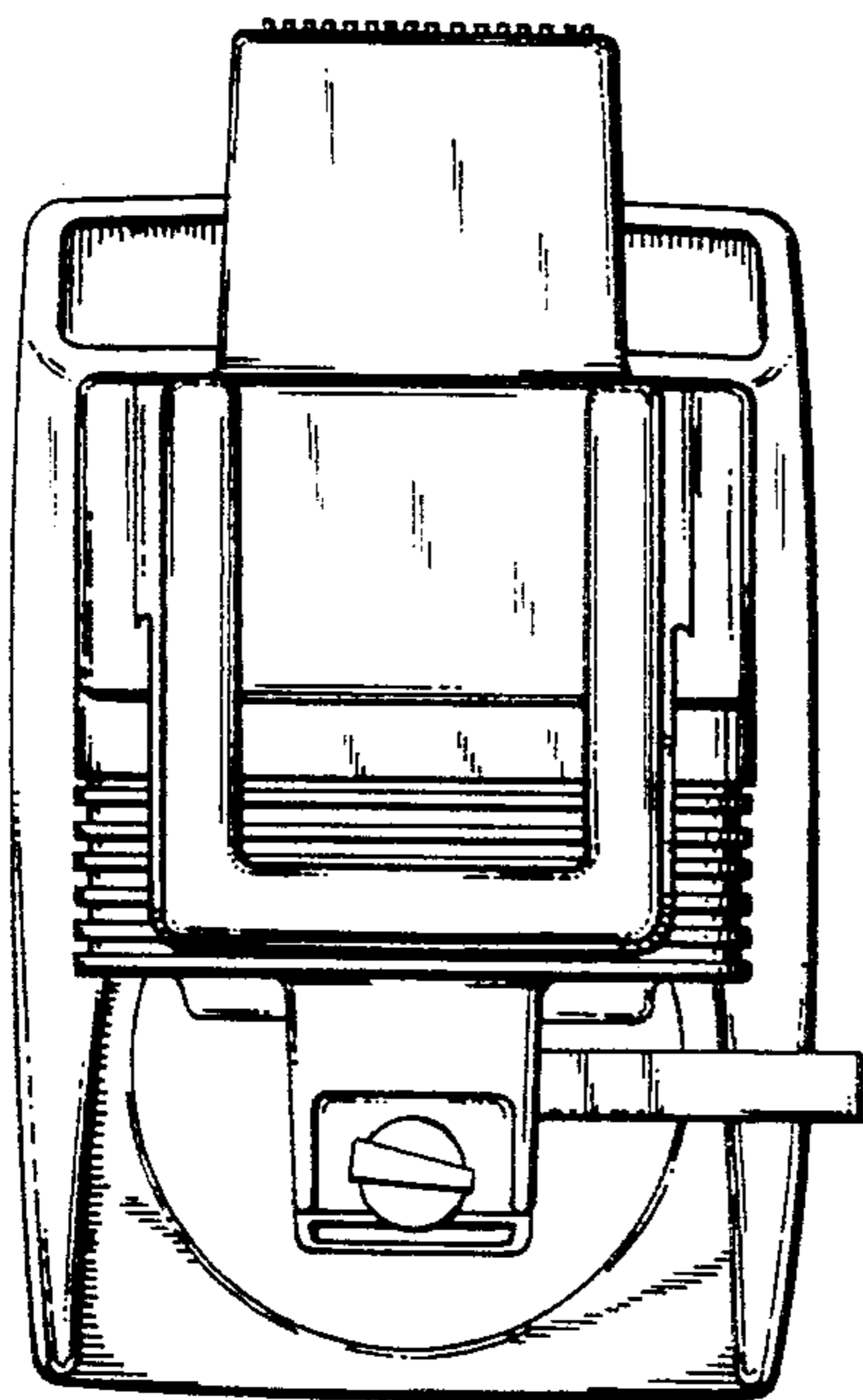
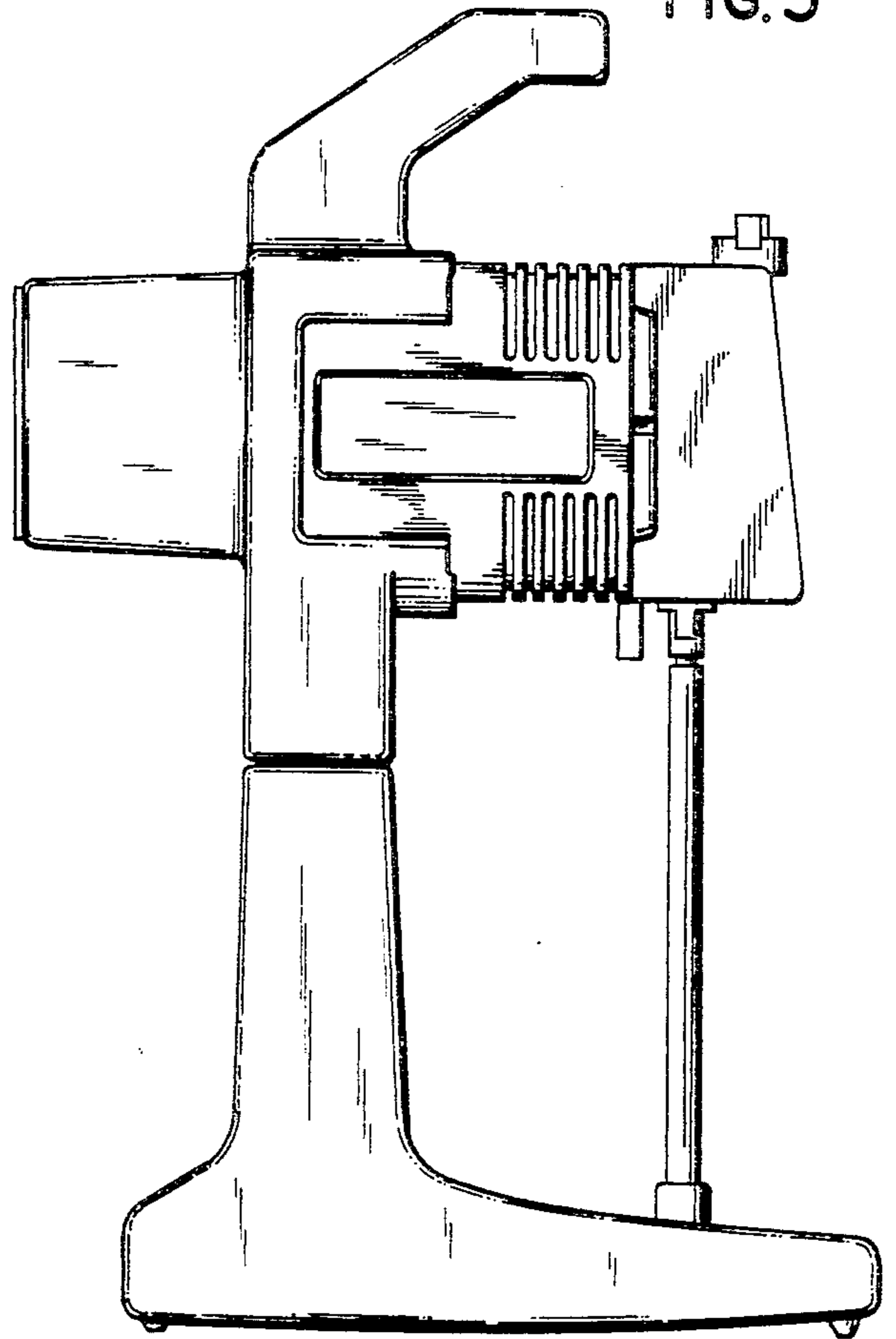


FIG. 6

FIG. 7

