

[54] **LOUDSPEAKER**

[75] **Inventor: Akira Katsuno, Tokyo, Japan.**

[73] **Assignee: Pioneer Electronic Corp., Tokyo, Japan**

[\*\*] **Term: 14 Years**

[21] **Appl. No.: 503,448**

[22] **Filed: Jun. 13, 1983**

[30] **Foreign Application Priority Data**

Dec. 24, 1982 [JP] Japan ..... 57-58449

[52] **U.S. Cl. .... D14/30; D14/34; D14/39**

[58] **Field of Search .... D14/30, 32-34, D14/37, 99; 179/146 E, 179, 181 R; 181/DIG.**

1

[56] **References Cited**

**U.S. PATENT DOCUMENTS**

D. 269,870 7/1983 Iijima ..... D14/39 X  
D. 276,045 10/1984 Kawachi ..... D14/30

**OTHER PUBLICATIONS**

Pioneer "Car Stereo Systems" Brochure #CS180, ©'80, p. 38-TS-202 Speaker.

*Primary Examiner*—Jane E. Corrigan  
*Attorney, Agent, or Firm*—Sughrue, Mion, Zinn, Macpeak & Seas

[57] **CLAIM**

The ornamental design for a loudspeaker, as shown.

**DESCRIPTION**

FIG. 1 is a front elevational view of a loudspeaker showing my new design;  
FIG. 2 is a rear elevational view thereof;  
FIG. 3 is a left side elevational view thereof;  
FIG. 4 is a right side elevational view thereof;  
FIG. 5 is a top plan view thereof;  
FIG. 6 is a bottom plan view thereof; and  
FIG. 7 is a front perspective view thereof.

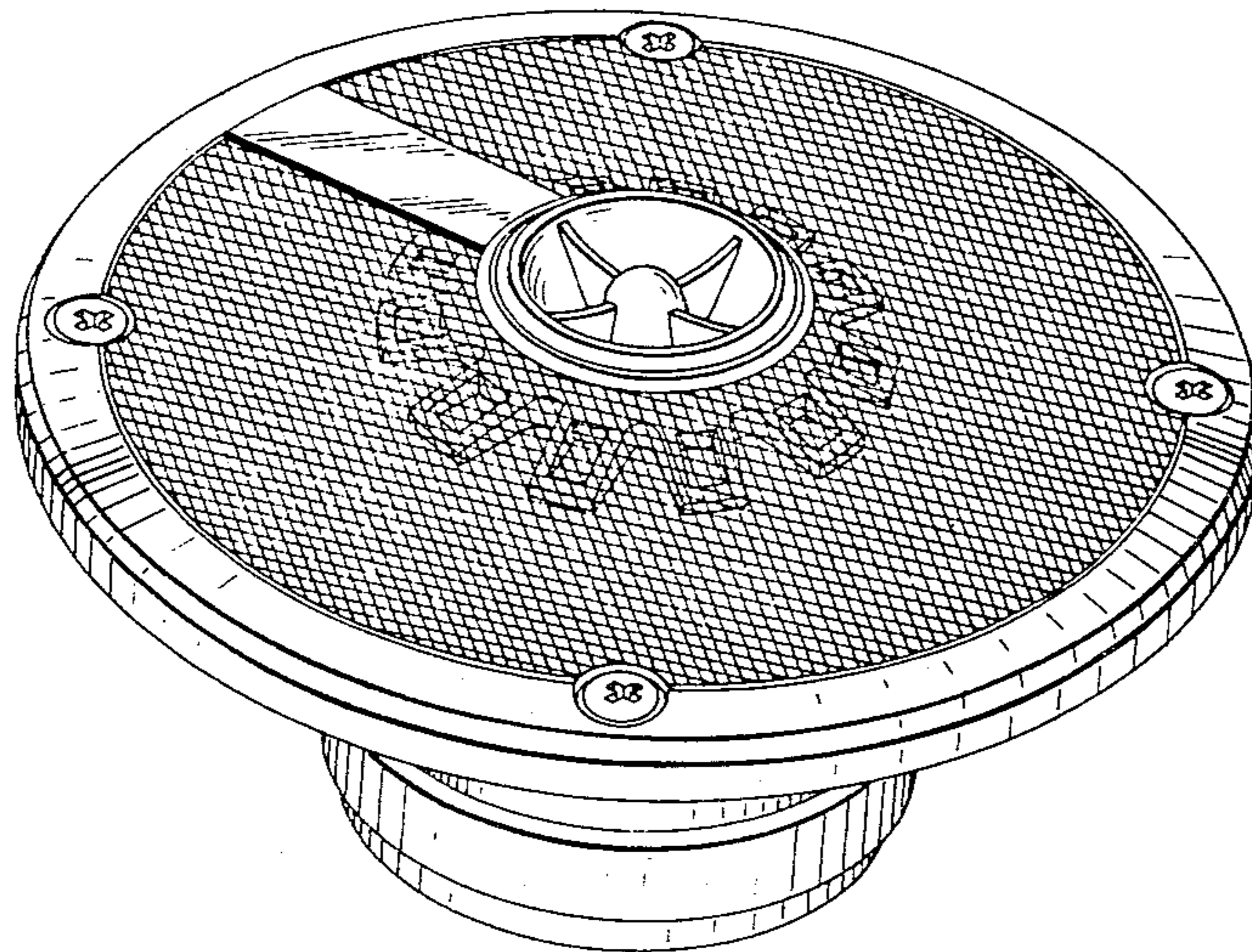


FIG. 1

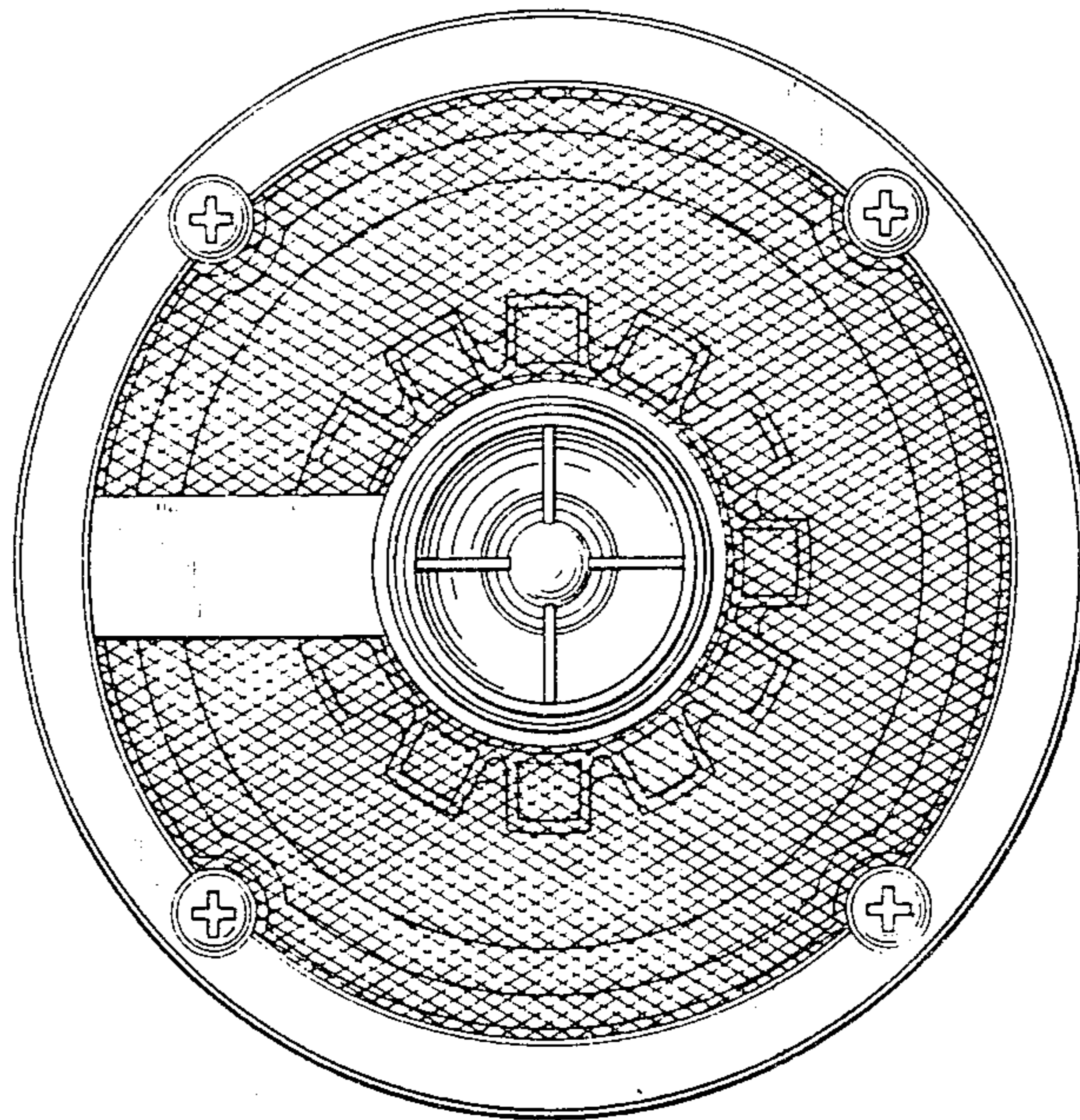


FIG. 2

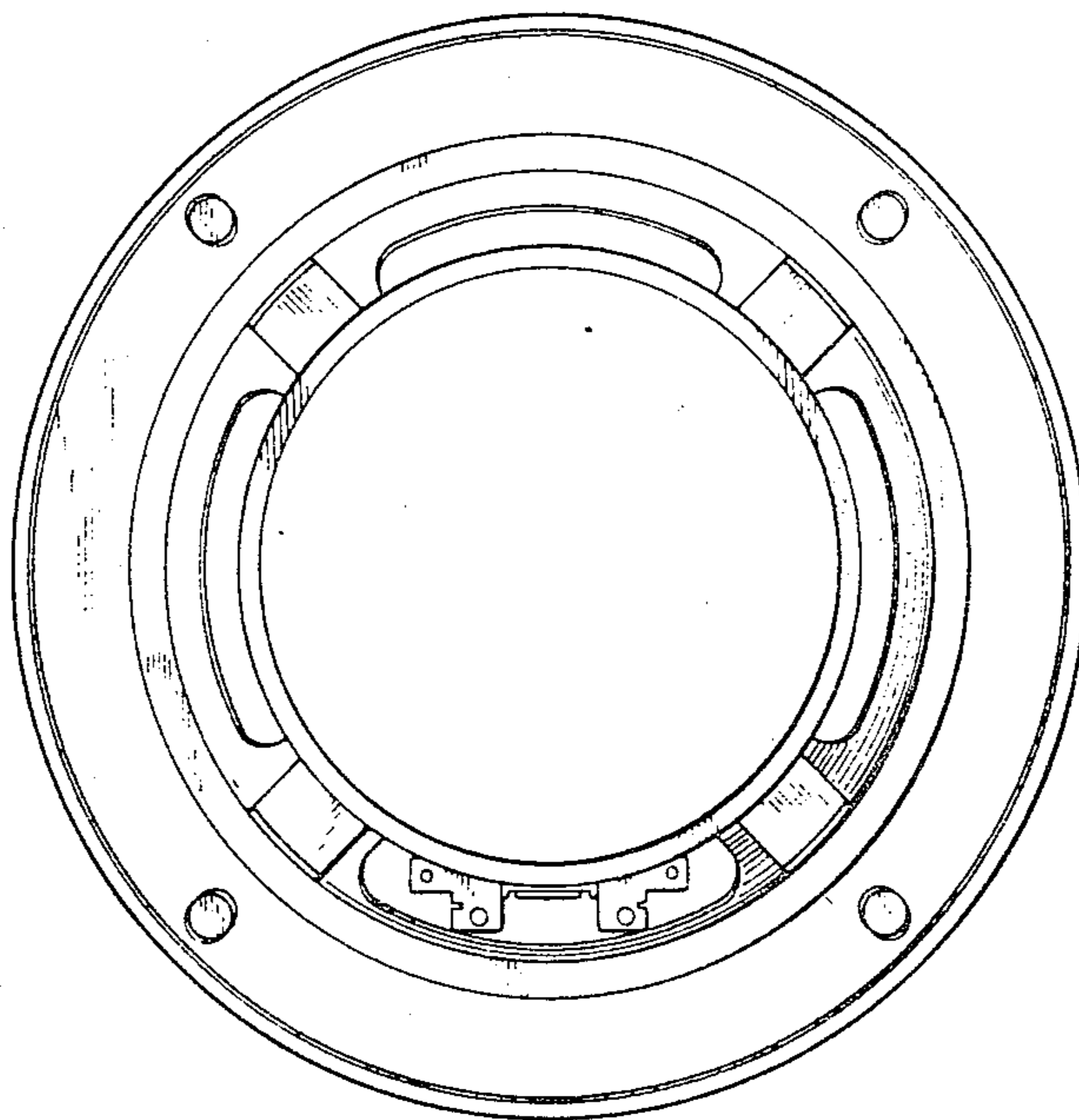




FIG. 4

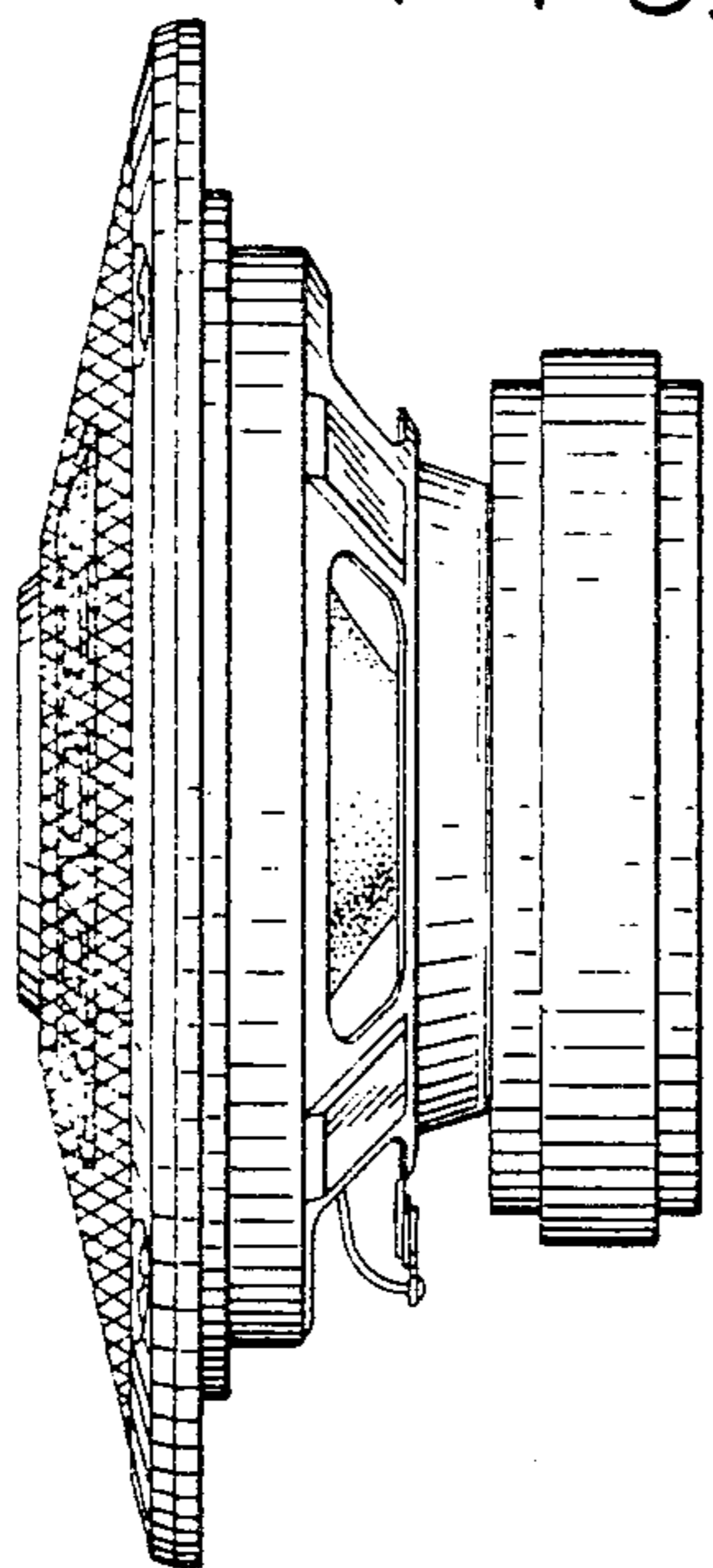


FIG. 5

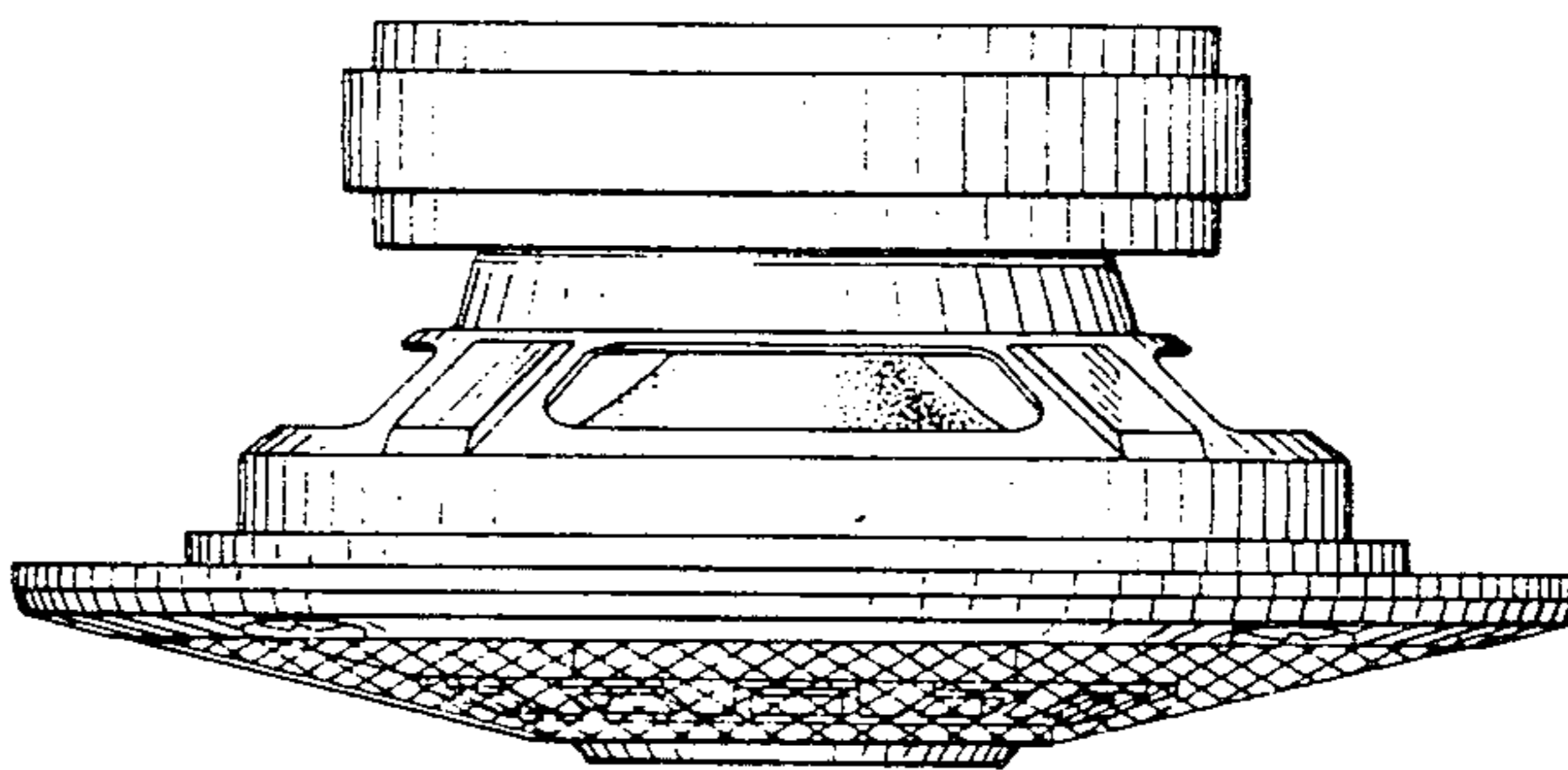


FIG. 3

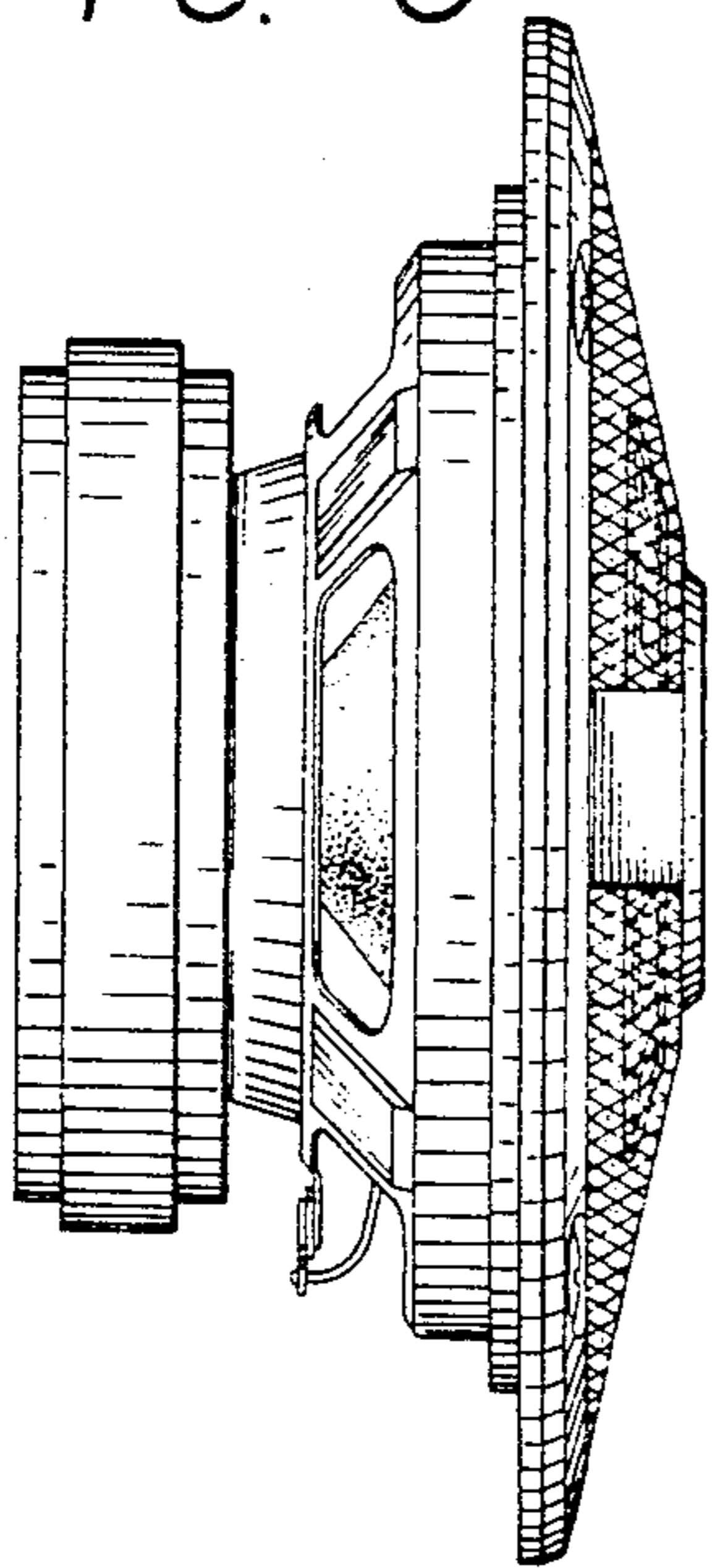


FIG. 6

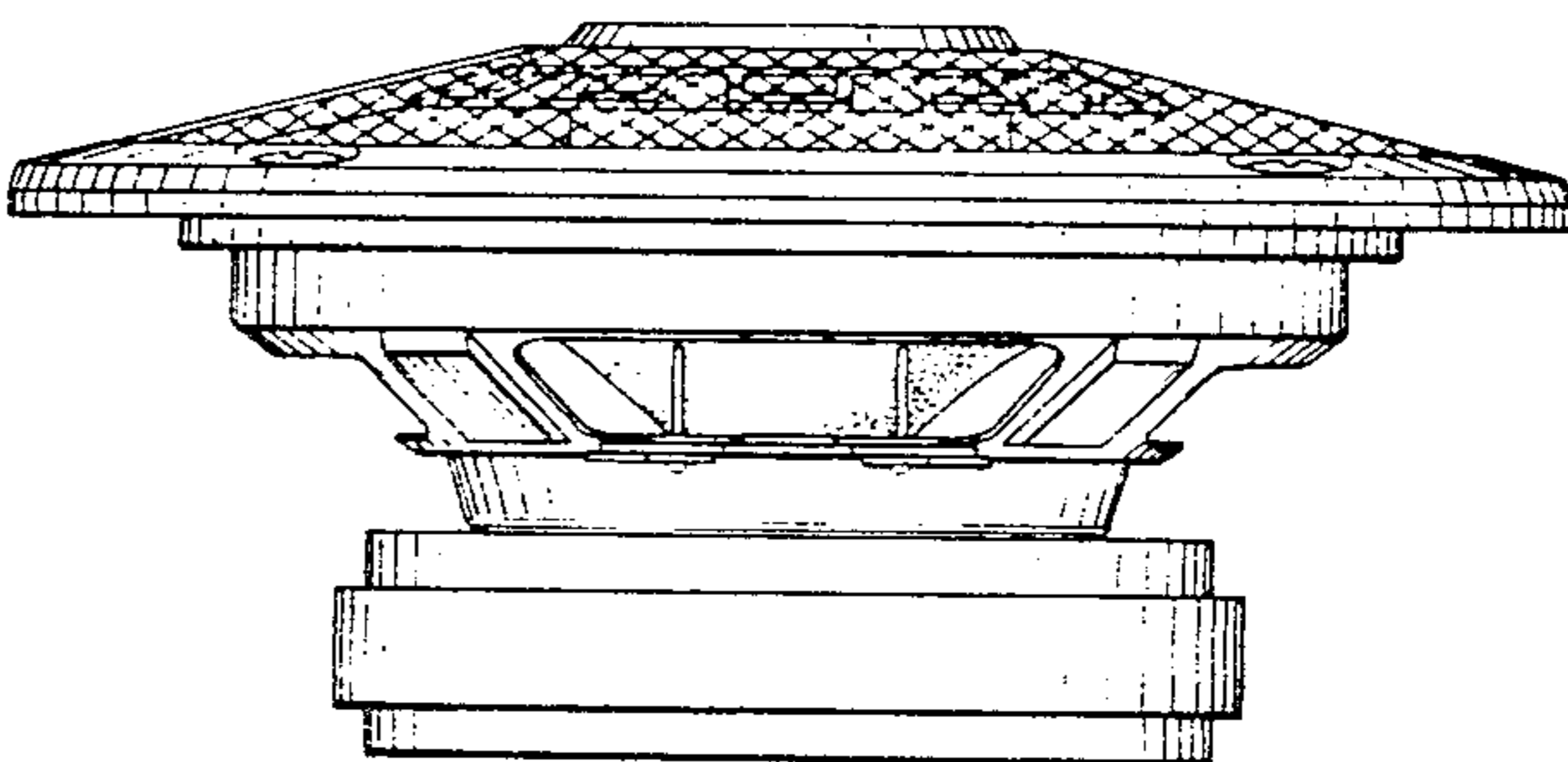


FIG. 7

