

[54] LOUDSPEAKER

[56] References Cited

[75] Inventor: Akira Katsuno, Tokyo, Japan

U.S. PATENT DOCUMENTS

[73] Assignee: Pioneer Electronic Corp., Tokyo, Japan

- D. 269,870 7/1983 Iijima D14/30
- D. 273,008 3/1984 Ishizaki D14/30
- D. 276,044 10/1984 Kawachi D14/30
- D. 276,045 10/1984 Kawachi D14/39 X

[**] Term: 14 Years

Primary Examiner—Jane E. Corrigan
Attorney, Agent, or Firm—Sughrue, Mion, Zinn,
Macpeak & Seas

[21] Appl. No.: 503,398

[57] CLAIM

[22] Filed: Jun. 13, 1983

The ornamental design for a loudspeaker, as shown.

[30] Foreign Application Priority Data

DESCRIPTION

Dec. 24, 1982 [JP] Japan 57-58447

[52] U.S. Cl. D14/30; D14/34;
D14/39

[58] Field of Search D14/30, 32-34,
D14/37, 99; 179/146 E, 179, 181 R; 181/DIG.
1

FIG. 1 is a front elevational view of a loudspeaker showing my new design;

FIG. 2 is a rear elevational view thereof;

FIG. 3 is a left side elevational view thereof;

FIG. 4 is a right side elevational view thereof;

FIG. 5 is a top plan view thereof;

FIG. 6 is a bottom plan view thereof; and

FIG. 7 is a front perspective view thereof.

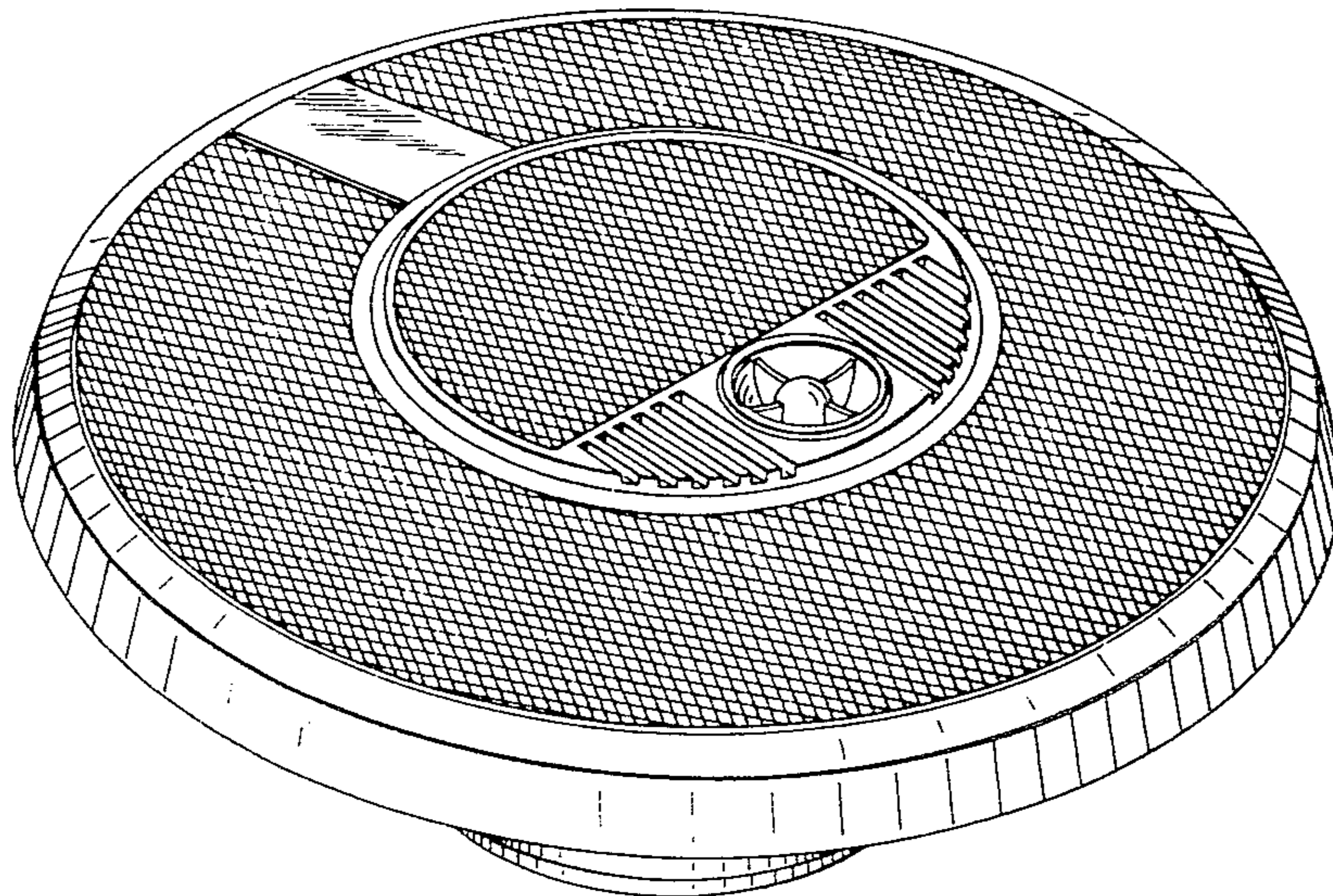


FIG. 1

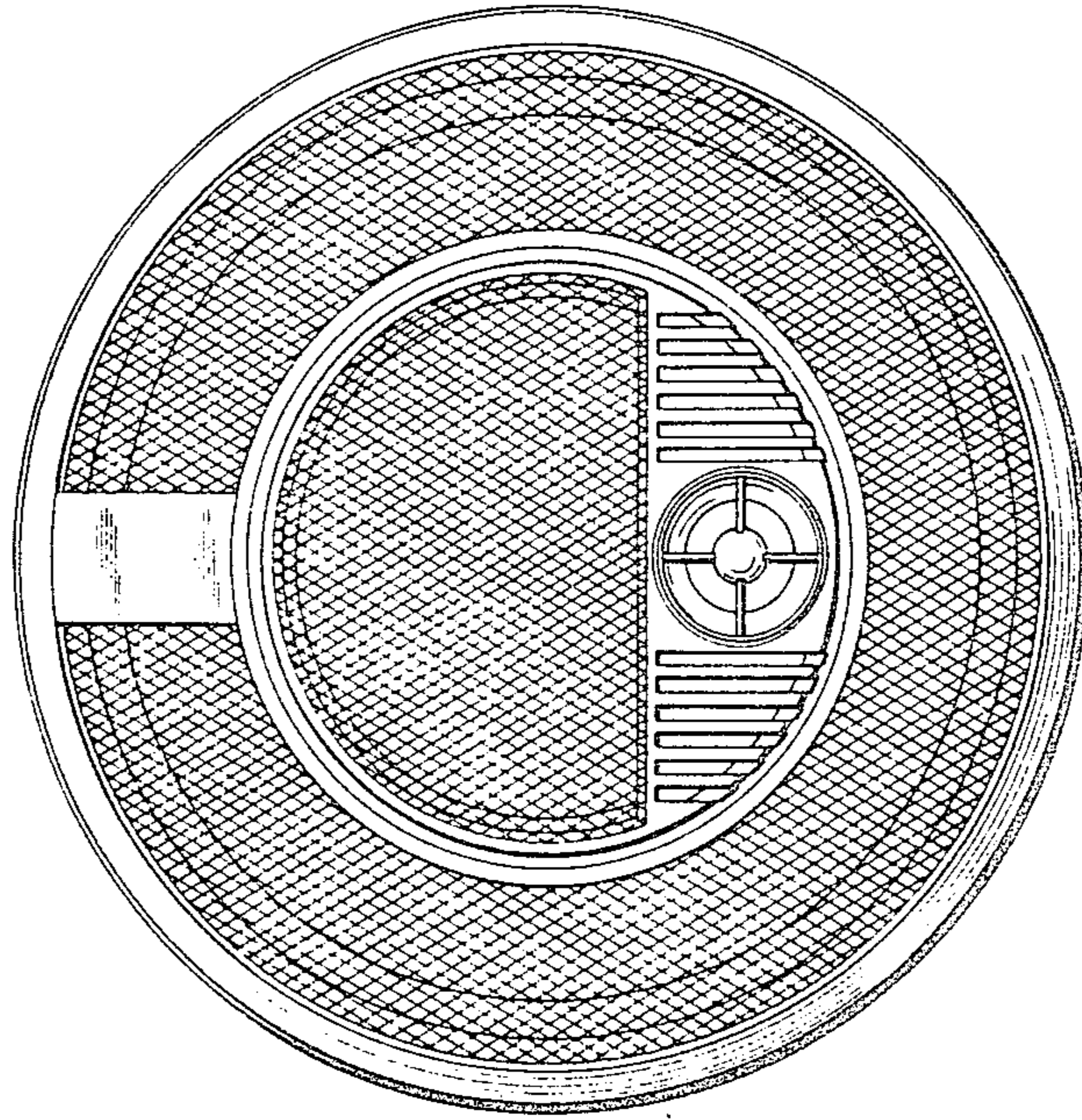


FIG. 2

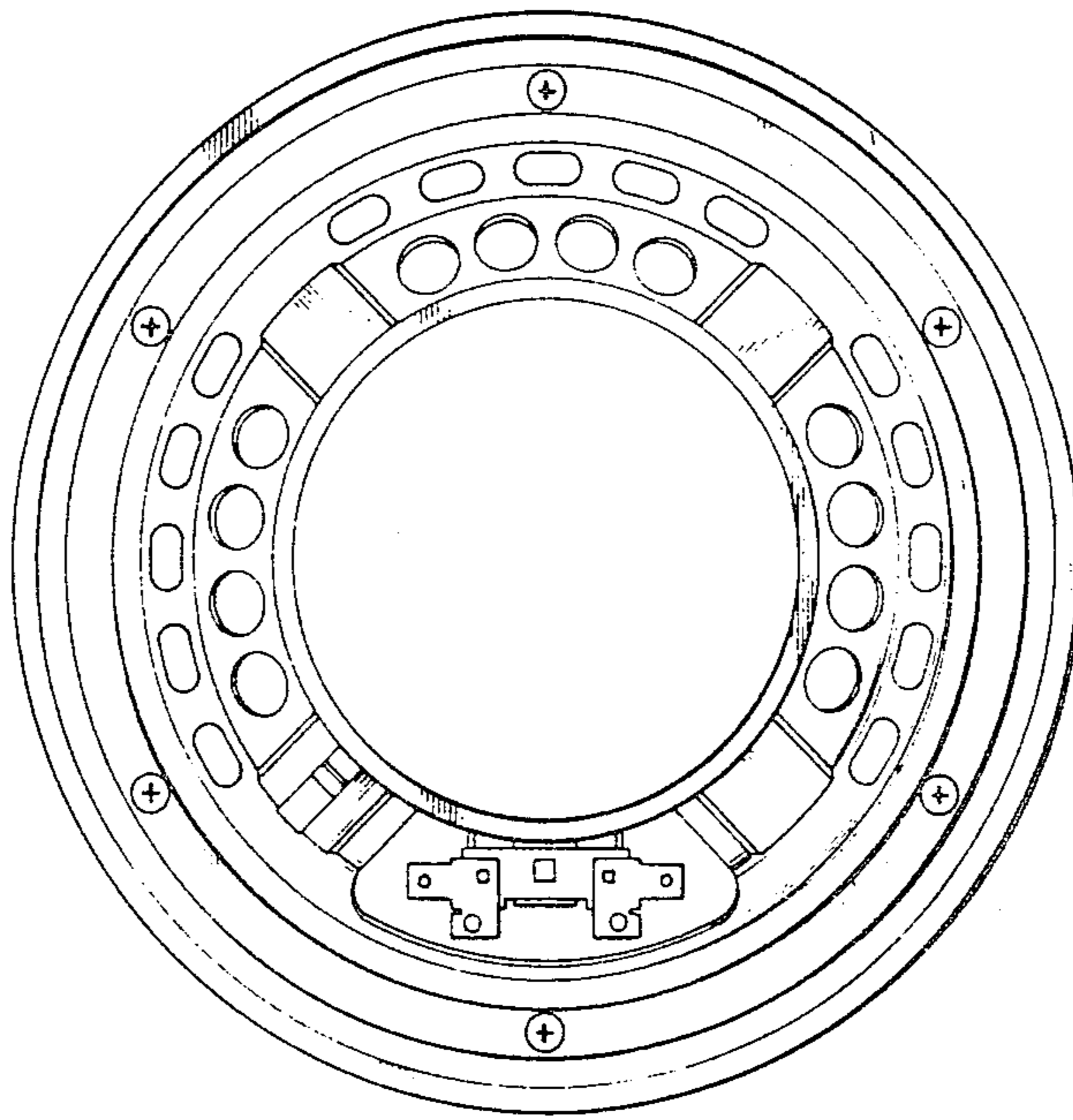


FIG. 4

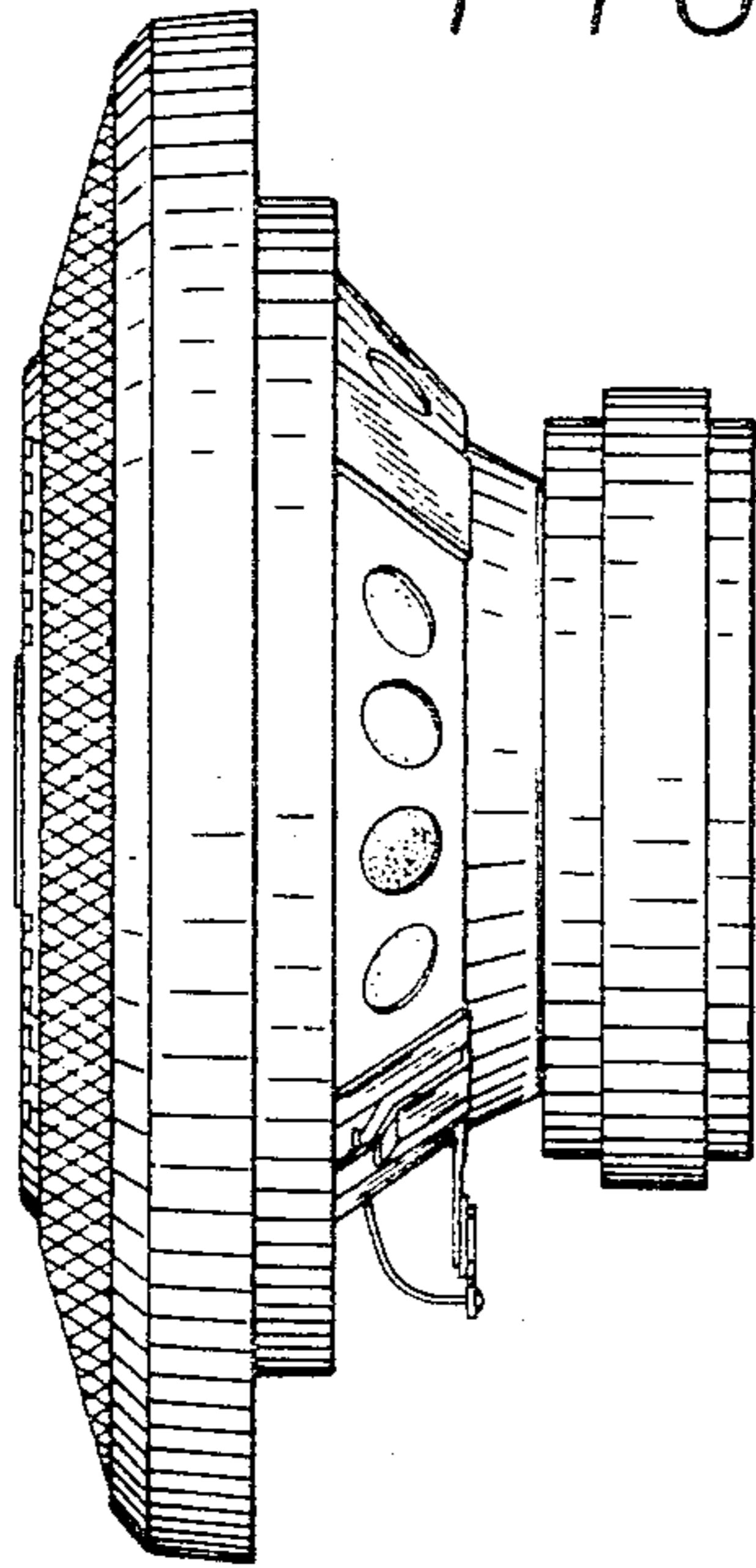


FIG. 5

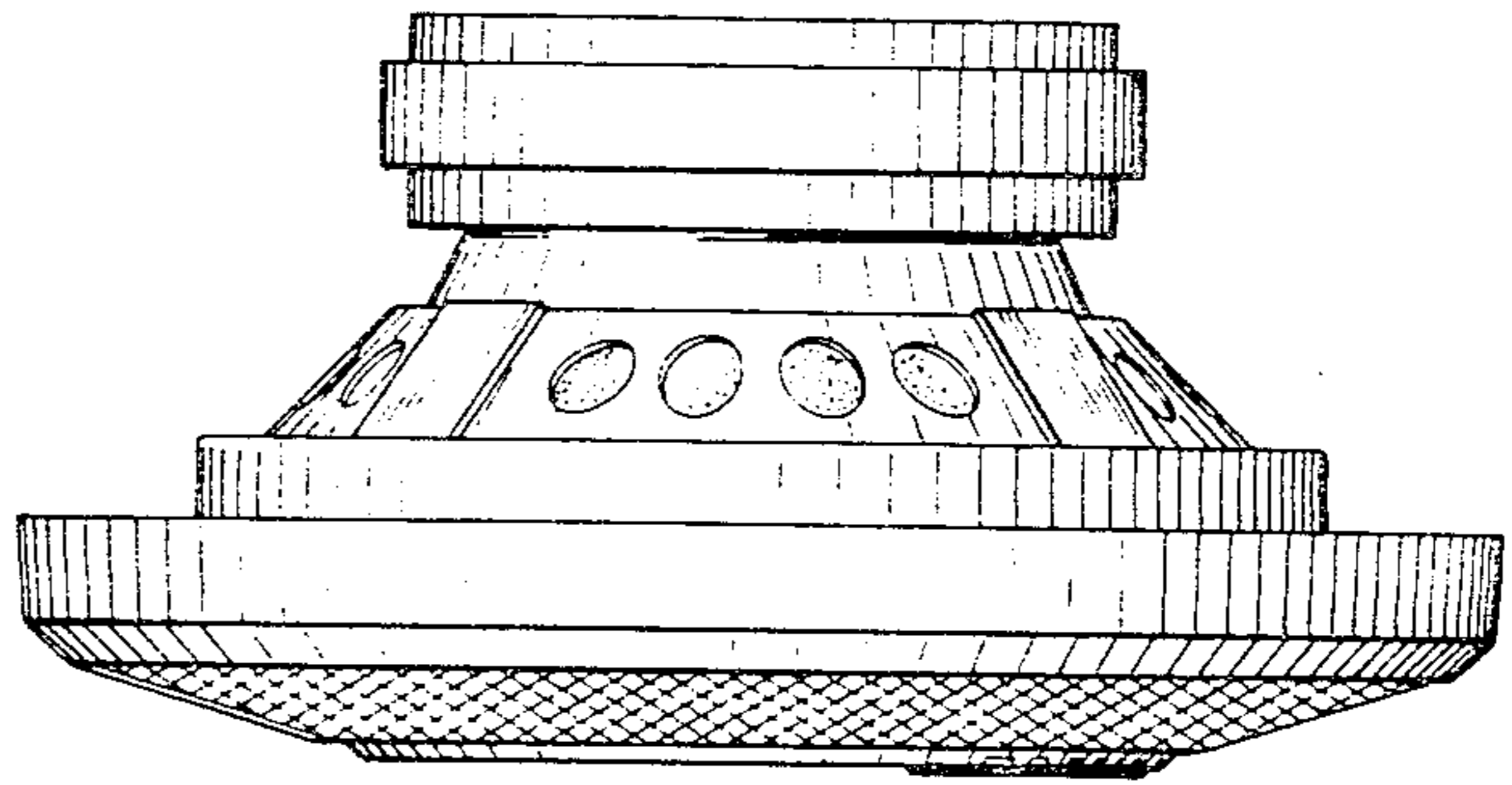


FIG. 6

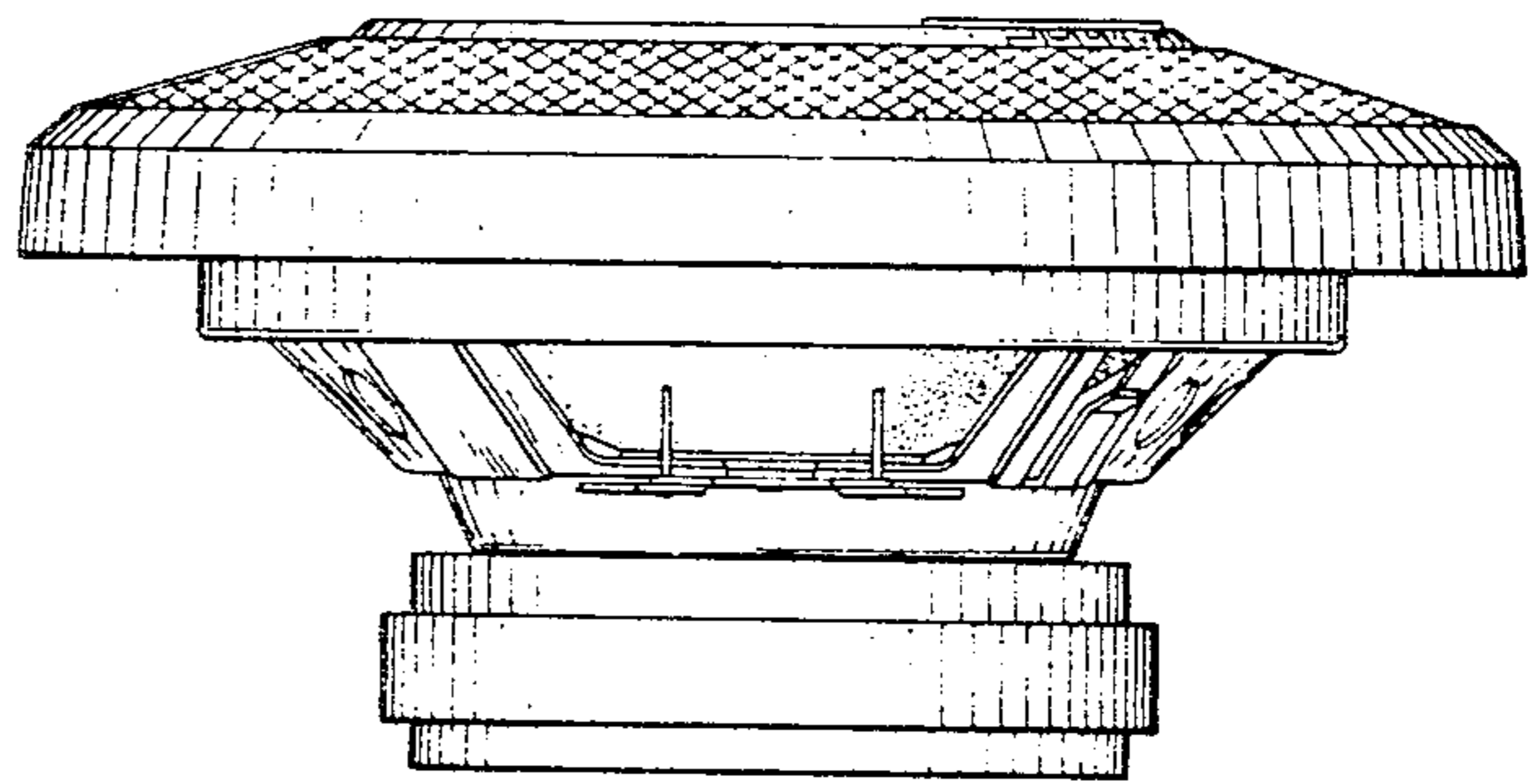


FIG. 3

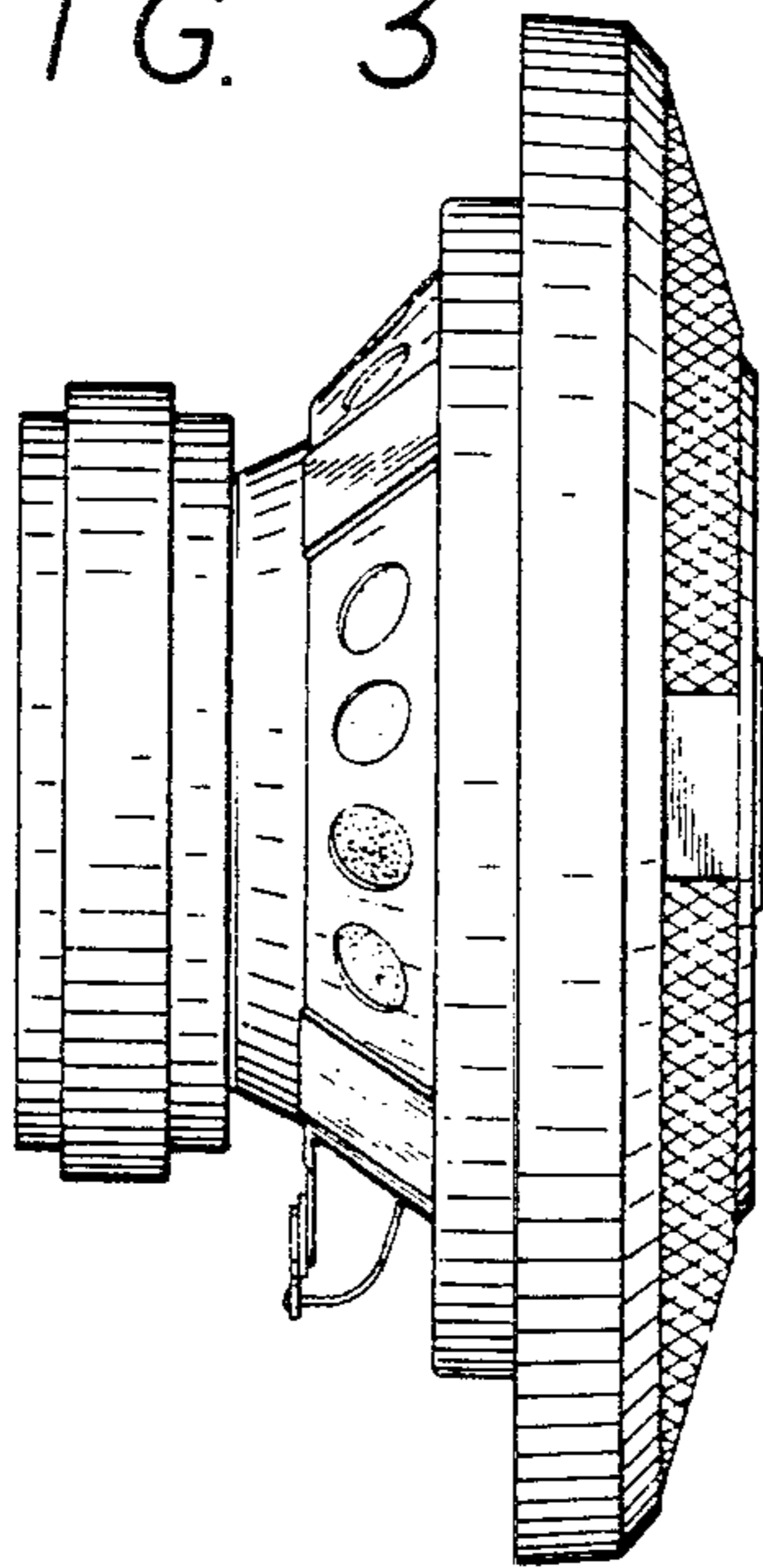


FIG. 7

