

[54] DISPLAY PAGER RECEIVER SINGLE UNIT CHARGER OR SIMILAR ARTICLE

[75] Inventor: William J. Scheid, Coral Springs, Fla.

[73] Assignee: Motorola, Inc., Schaumburg, Ill.

[\*\*] Term: 14 Years

[21] Appl. No.: 499,974

[22] Filed: Jun. 1, 1983

[52] U.S. Cl. .... D13/5

[58] Field of Search ..... D13/5; 320/2-5

[56] References Cited

U.S. PATENT DOCUMENTS

- 229,499 12/1973 Krumin et al. .... D26/15 B
- 229,500 12/1973 Krumin et al. .... D26/15 B
- 244,618 6/1977 Goldman et al. .... D13/5

- 246,521 11/1977 Krumin et al. .... D14/68
- D. 271,391 11/1983 Scheid ..... D13/5
- 3,710,224 1/1973 Daniels ..... 320/2

Primary Examiner—Wallace R. Burke  
 Assistant Examiner—Lynn Wilder  
 Attorney, Agent, or Firm—Donald B. Southard; Edward M. Roney

[57] CLAIM

The ornamental design for a display pager receiver single unit charger or similar article, substantially as shown and described.

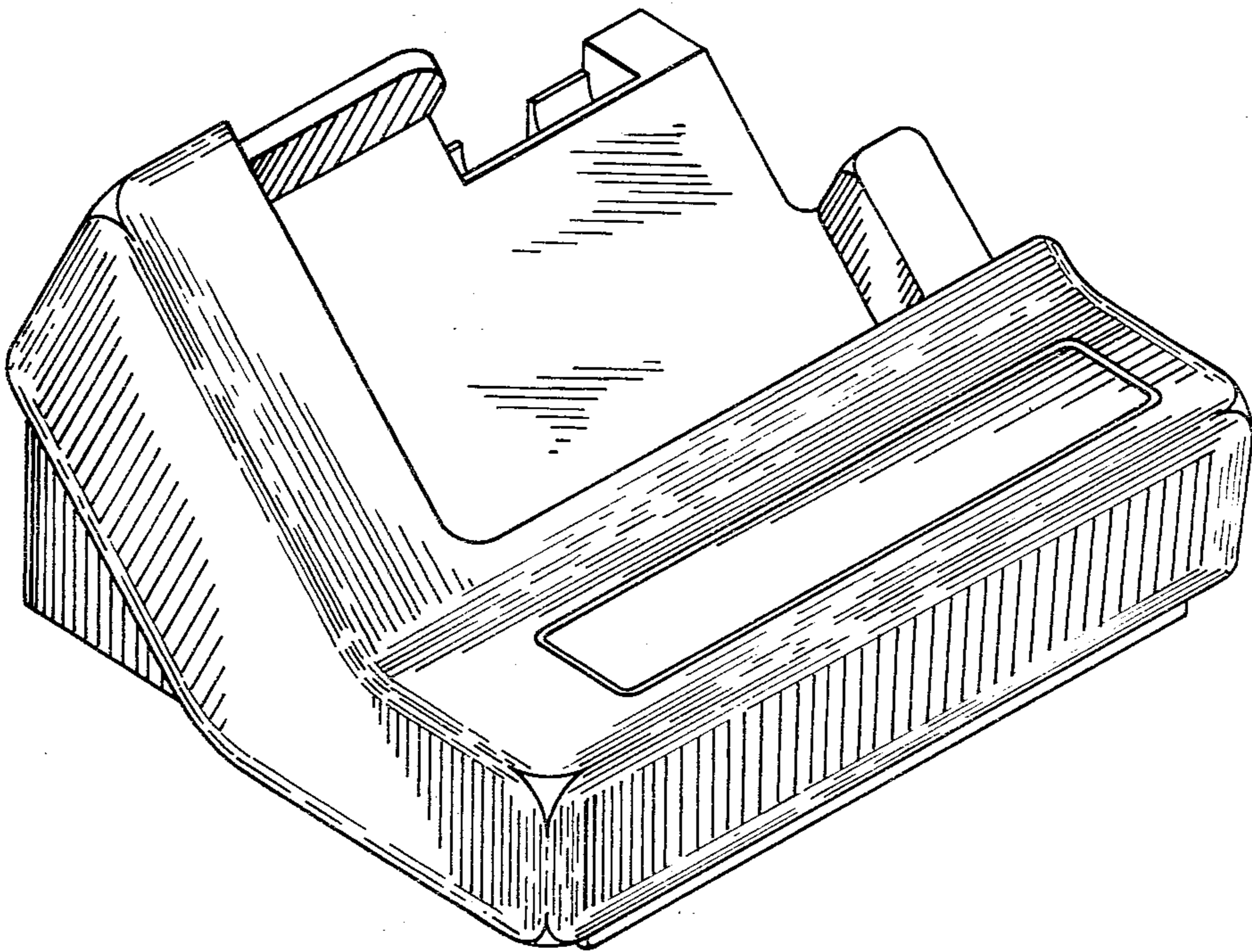
DESCRIPTION

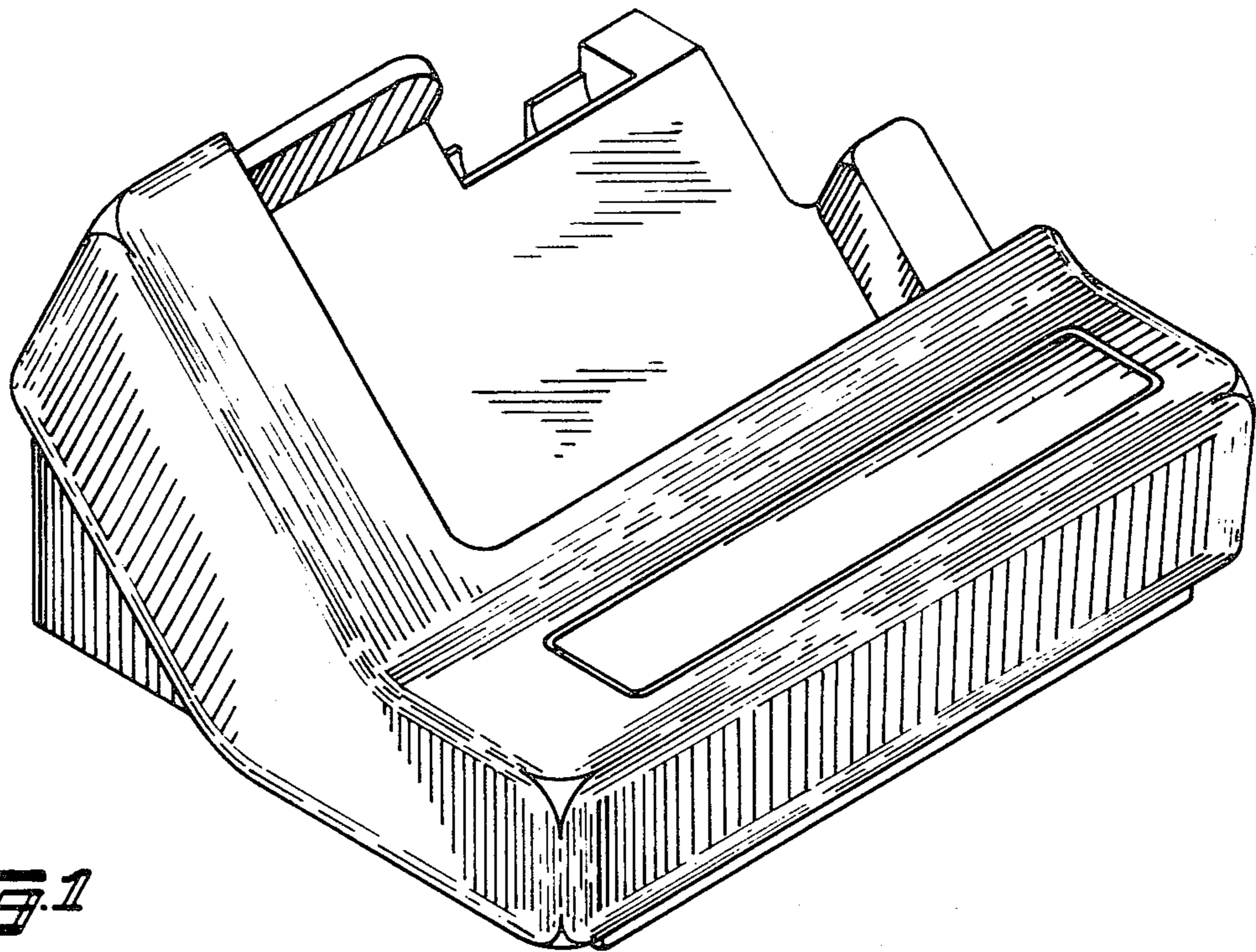
FIG. 1 is a top perspective view of a display pager receiver single unit charger or similar article showing my new design;

FIG. 2 is a right side elevational view thereof;

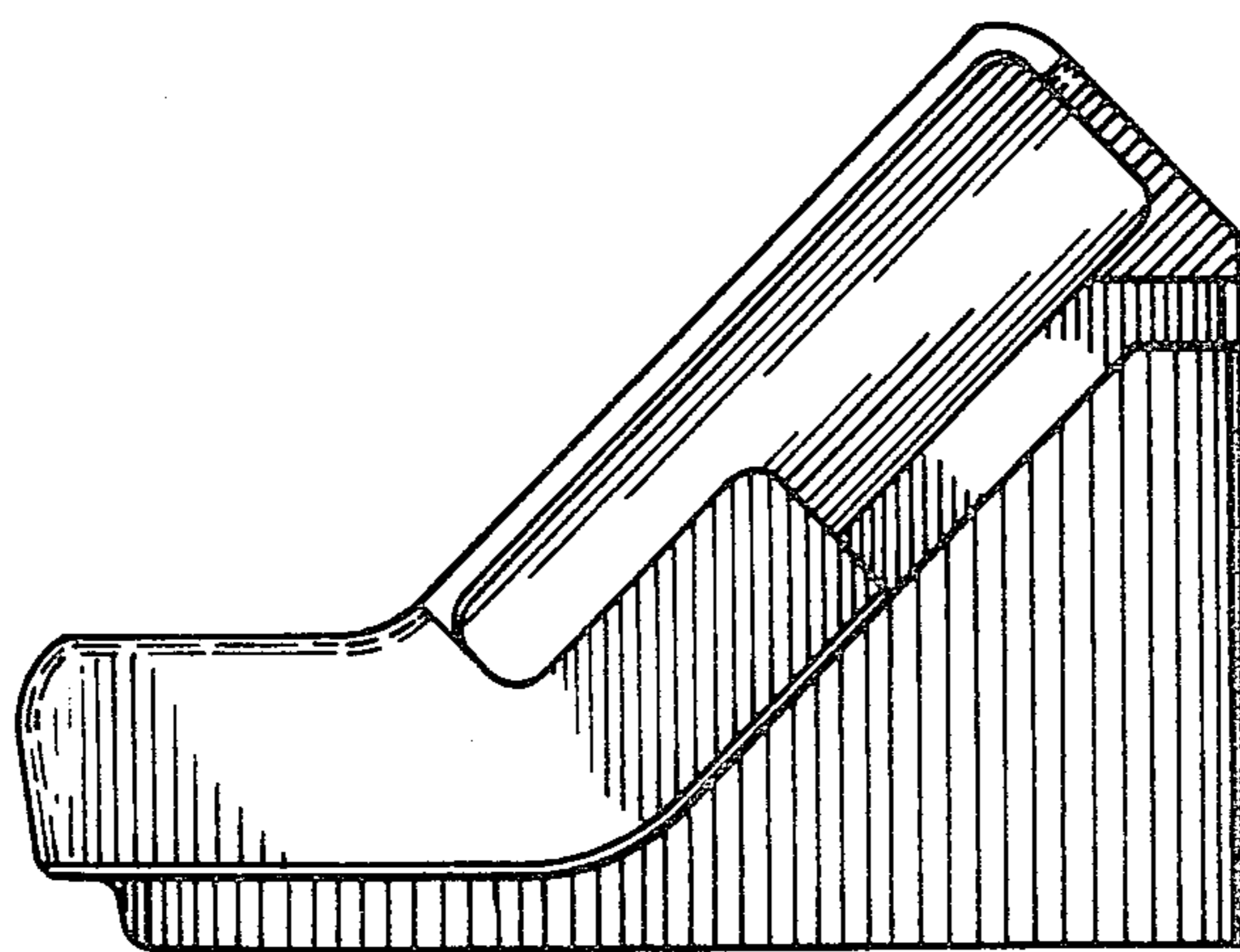
FIG. 3 is a rear elevational view thereof; and

FIG. 4 is a bottom plan view thereof.





**Fig. 1**



**Fig. 2**

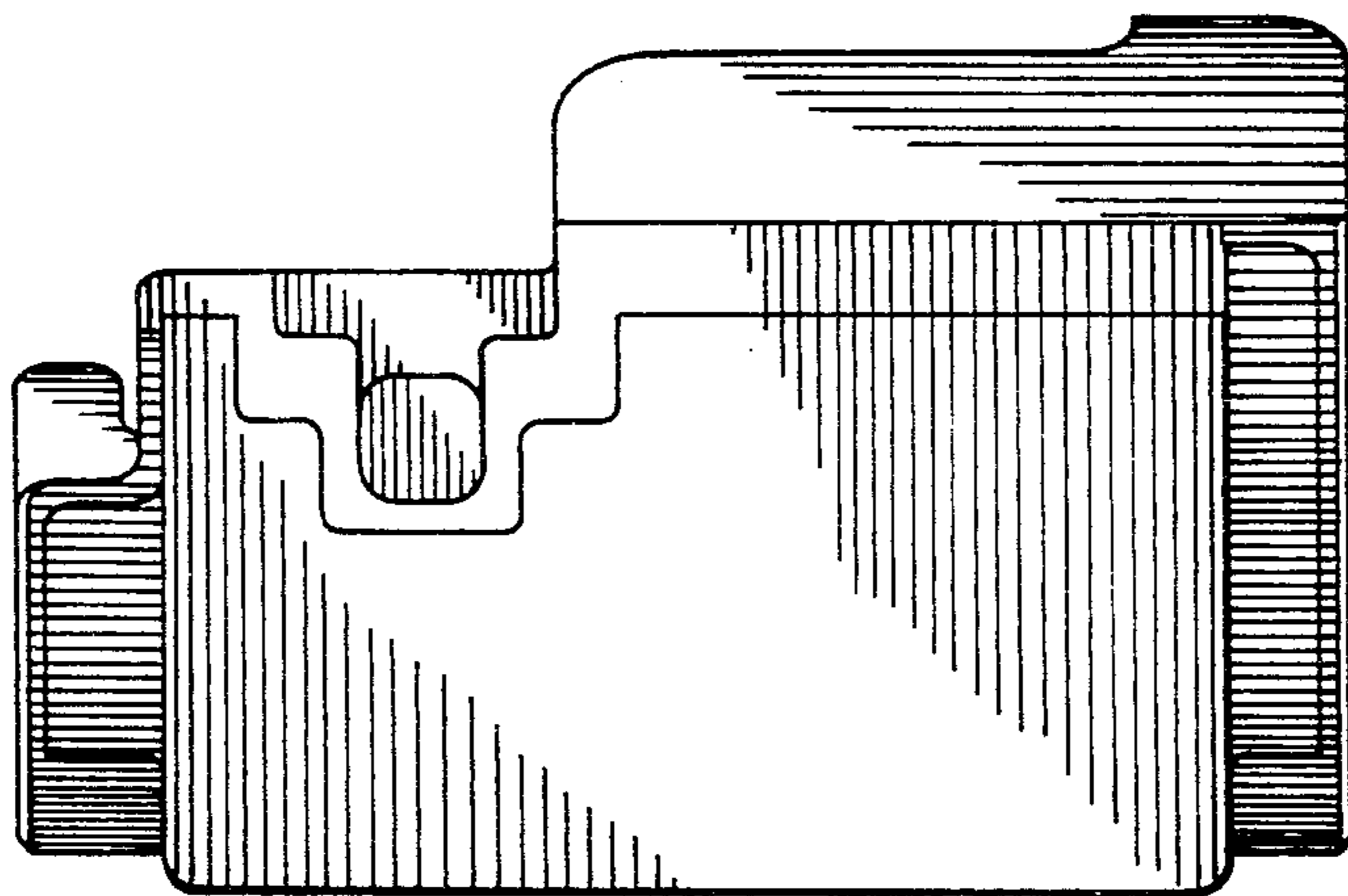


Fig. 3

Fig. 4

