

[54] FOLDED WHEEL BLOCK

[75] Inventor: Merle M. De Raad, Burnsville, Minn.

[73] Assignee: Bridge Wheel Company, Inc.,
Minneapolis, Minn.

[**] Term: 14 Years

[21] Appl. No.: 543,900

[22] Filed: Oct. 20, 1983

[52] U.S. Cl. D12/217

[58] Field of Search D12/217; 188/32

3,871,492 3/1975 Garrett et al. 188/32

4,109,763 8/1978 Sugino 188/32

4,140,206 2/1979 Yamazaki et al. 188/32

OTHER PUBLICATIONS

Brookstone Catalog, Fall, 1982, p. 63, Fold-Up Wheel Chock.

Primary Examiner—James M. Gandy
Attorney, Agent, or Firm—Burd, Bartz & Gutenkauf

[57] CLAIM

The ornamental design for a folded wheel block, as shown and described.

[56] References Cited

U.S. PATENT DOCUMENTS

1,768,265	6/1930	Nicholls	188/32
2,316,178	4/1943	Morgensen, Jr.	188/32
2,585,370	2/1952	Cless	188/32
2,723,005	11/1955	Wink	188/32
2,816,627	12/1957	Wilson et al.	188/32
2,829,738	4/1958	Vasquez	188/32
3,353,633	11/1967	Leonard et al.	188/32
3,387,686	6/1968	Little	188/32
3,647,029	3/1972	Hanley	188/32
3,664,466	5/1972	Rotheiser	188/32
3,845,845	11/1974	Geisthoff	188/32

DESCRIPTION

FIG. 1 is a perspective view of the folded wheel block showing my new design;

FIG. 2 is an enlarged top plan view thereof;

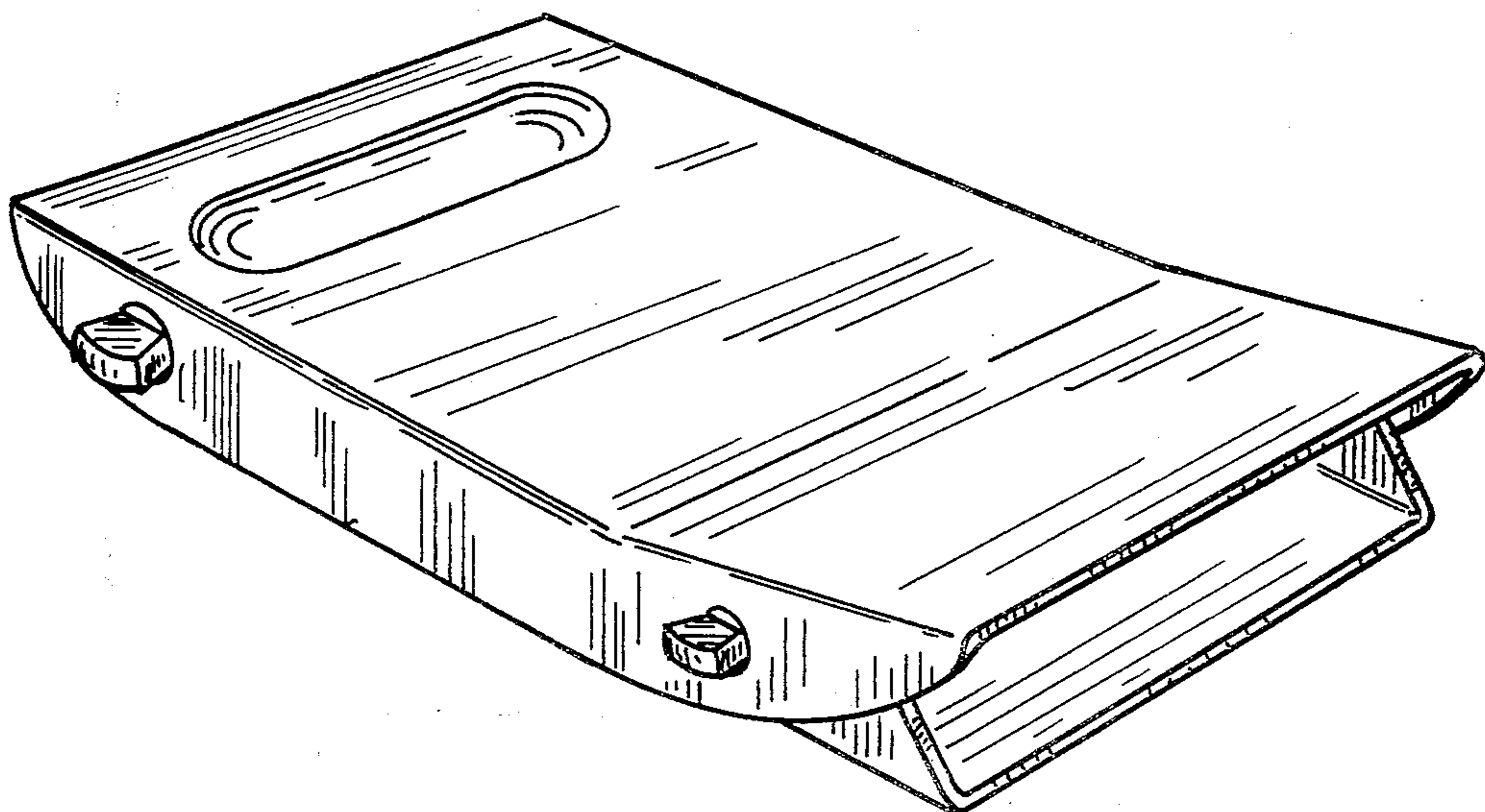
FIG. 3 is a side elevational view thereof, the opposite side being a mirror image of that shown;

FIG. 4 is a bottom plan view thereof;

FIG. 5 is an end elevational view of the right end of FIG. 3;

FIG. 6 is a left elevational end view of FIG. 3; and

FIG. 7 is an enlarged fragmentary sectional view taken along the line 7—7 of FIG. 4.



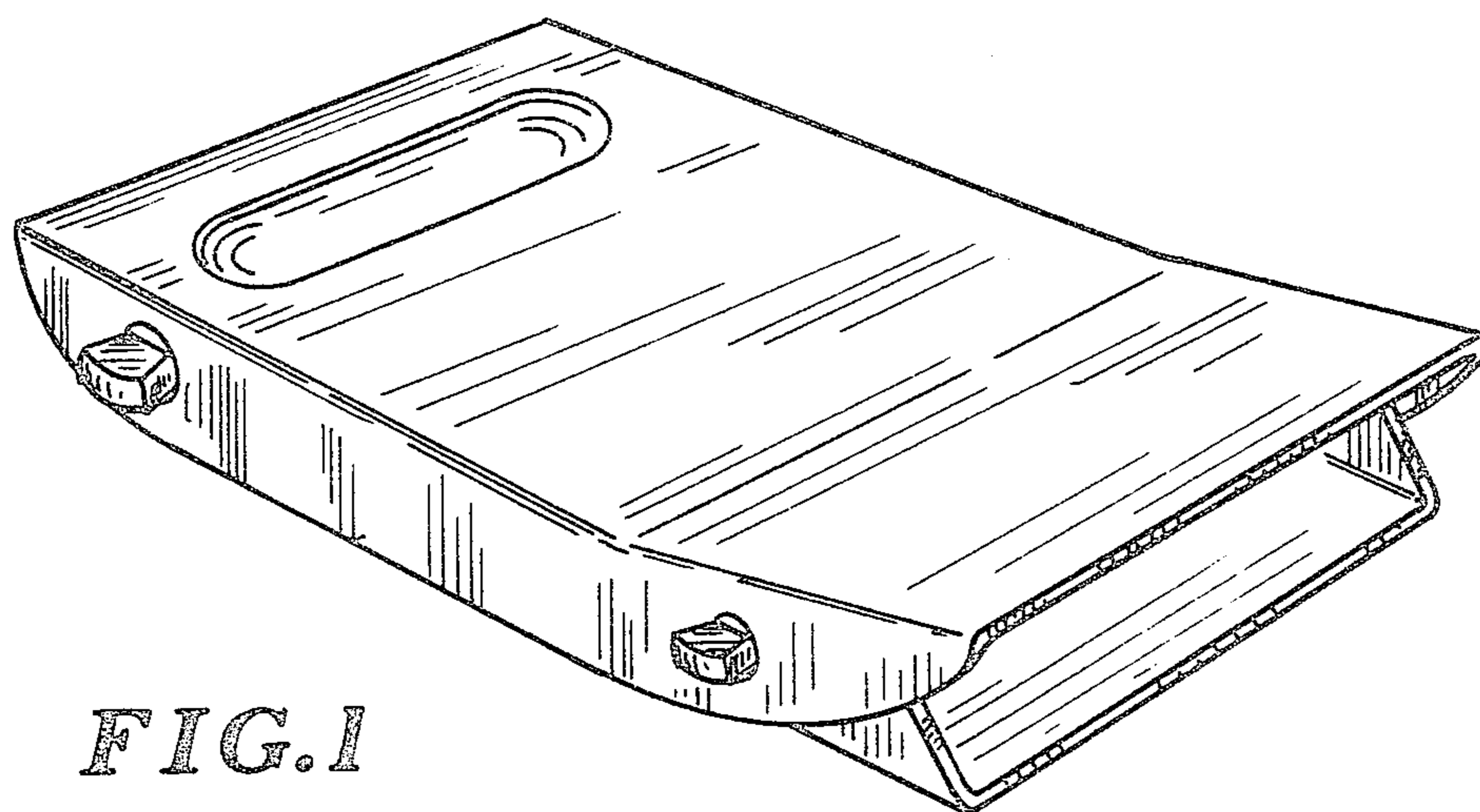


FIG. 1

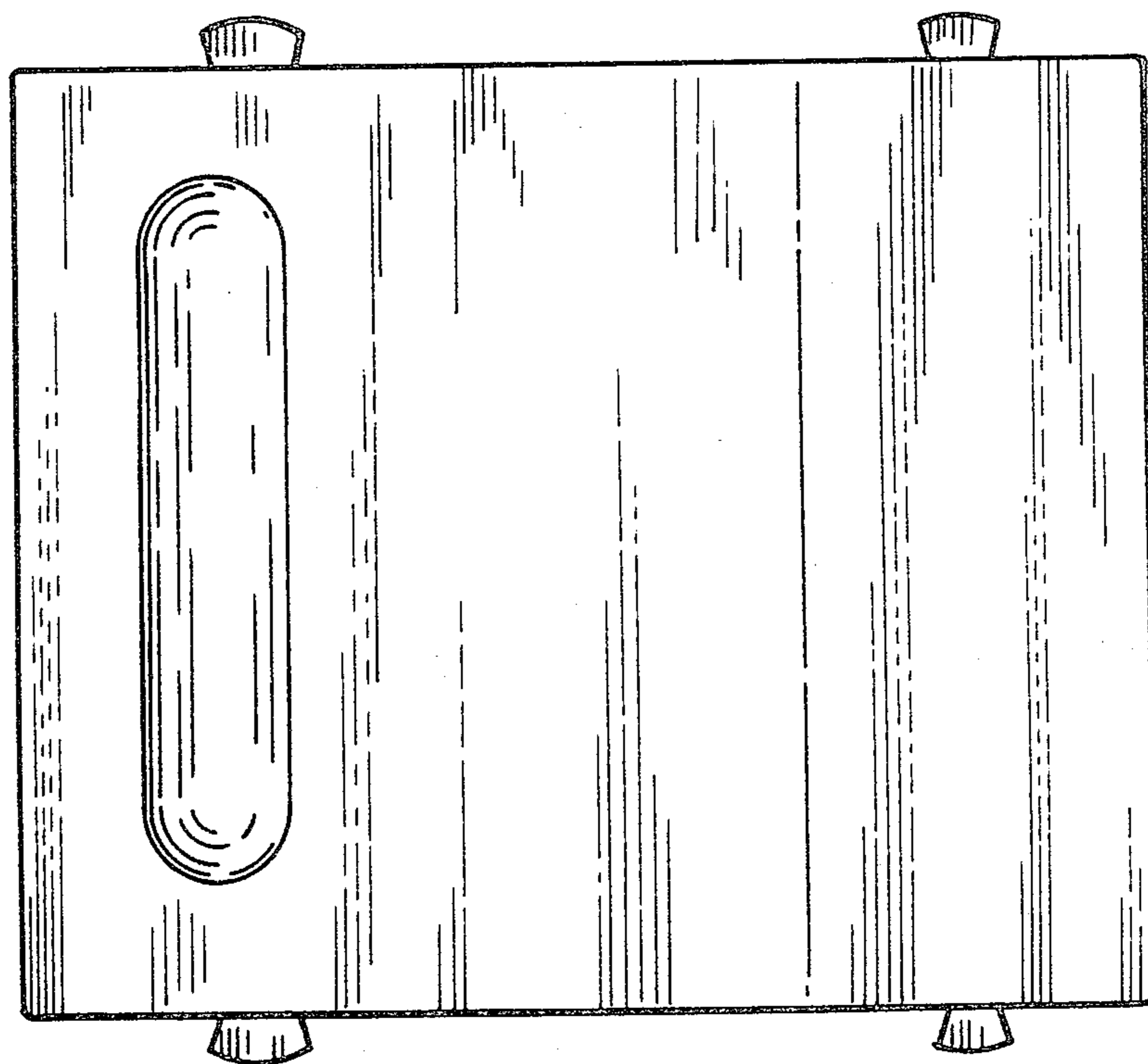


FIG. 2

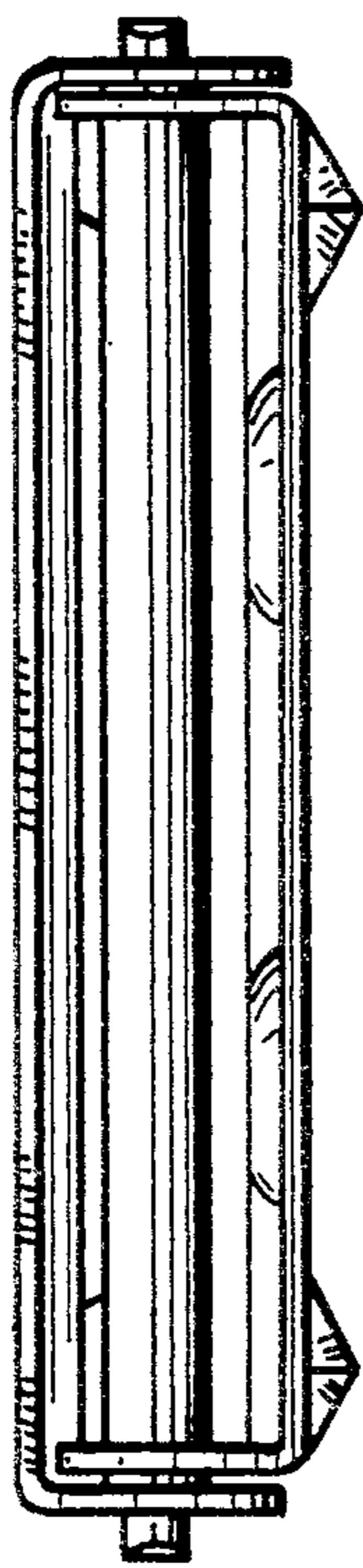


FIG. 5

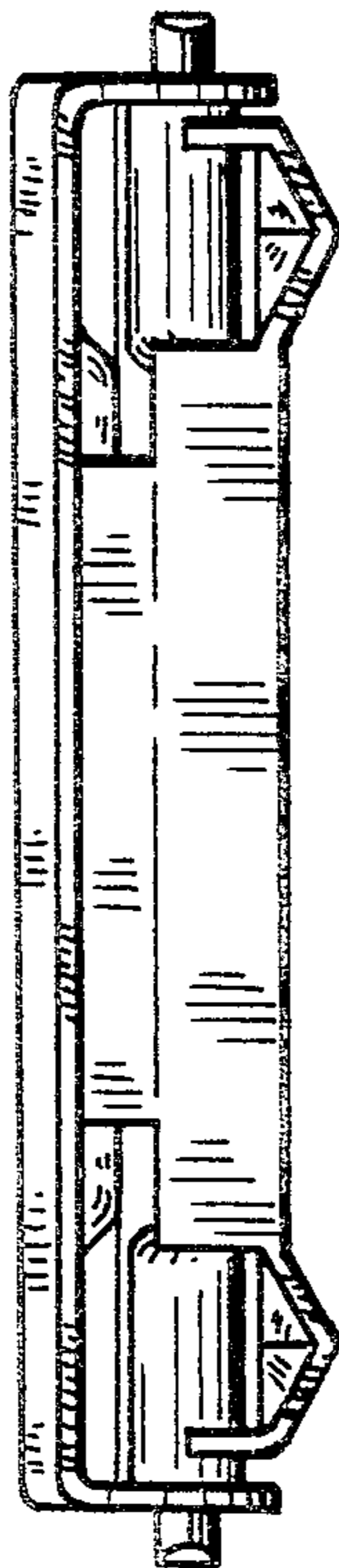


FIG. 6

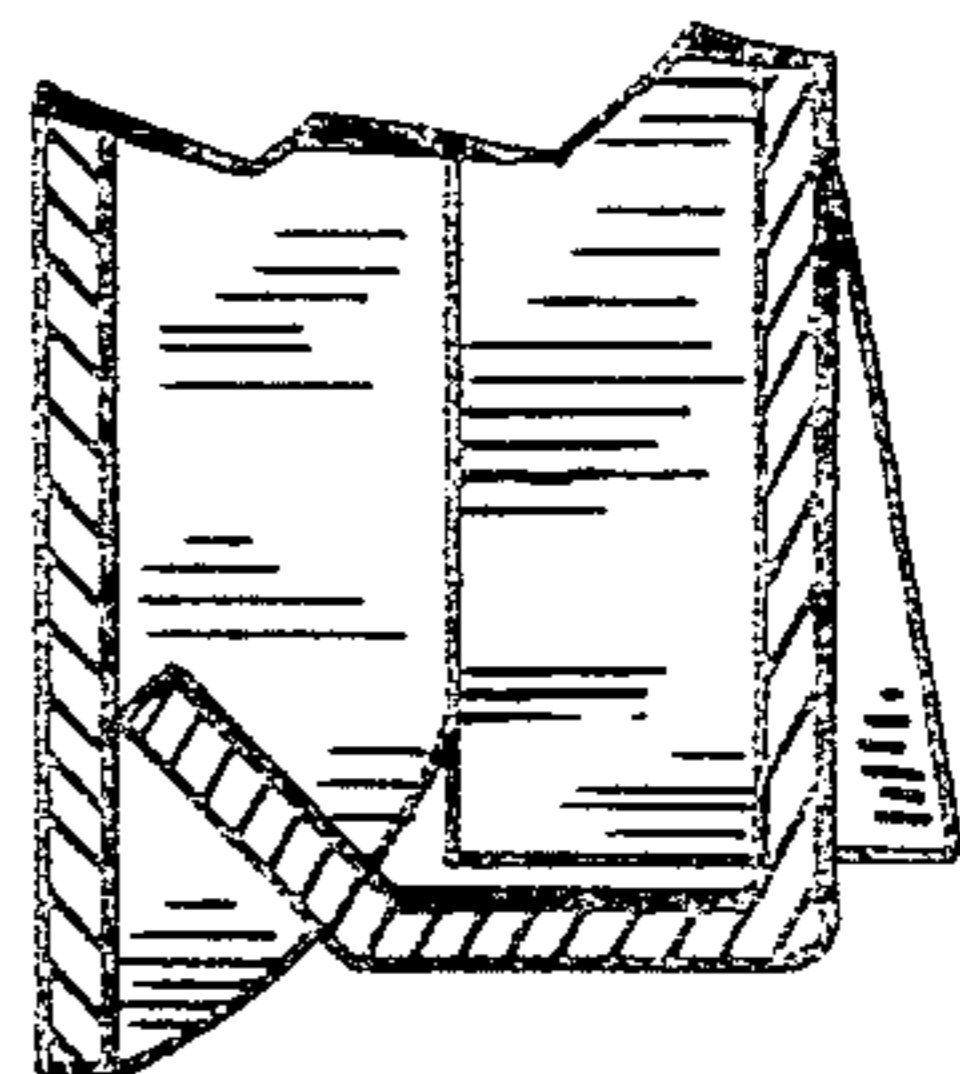


FIG. 7

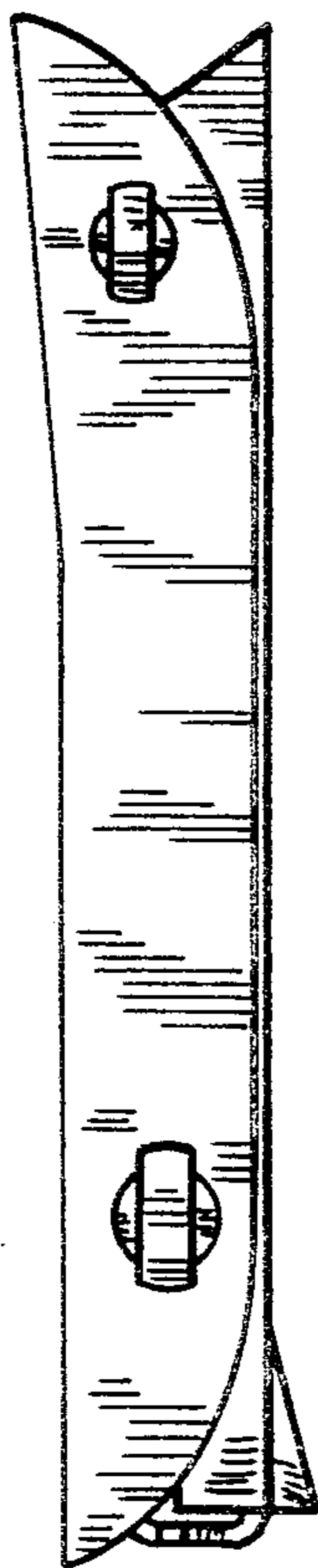


FIG. 3

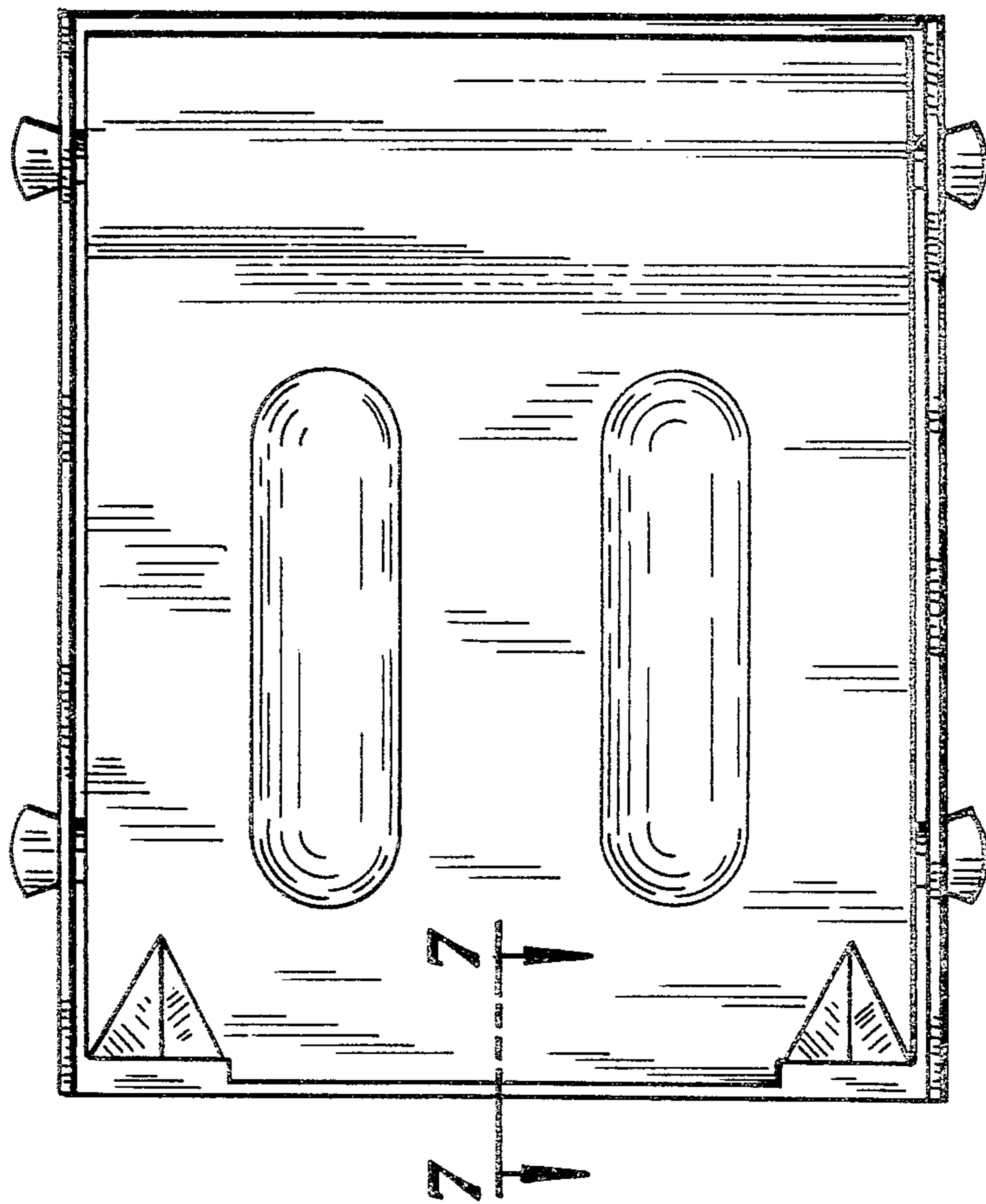


FIG. 4