

United States Patent [19]

Appel

[11] Patent Number: **Des. 281,060**

[45] Date of Patent: **** Oct. 22, 1985**

[54] SLED

[75] Inventor: **Mel Appel**, 9 Nottingham Rd.,
Livingston, N.J. 07039

[73] Assignee: **The Mel Appel Company**, Short Hills,
N.J.

[**] Term: **14 Years**

[21] Appl. No.: **548,199**

[22] Filed: **Nov. 2, 1983**

[52] U.S. Cl. **D12/10**

[58] Field of Search **D12/9, 10; 280/21 R,**
280/20 R, 23, 12 R, 12.11

[56] **References Cited**

U.S. PATENT DOCUMENTS

D. 214,329 6/1969 Hill D12/10
D. 224,688 8/1972 Schneider D12/10

Primary Examiner—James M. Gandy
Attorney, Agent, or Firm—Brumbaugh, Graves,
Donohue & Raymond

[57] **CLAIM**

The ornamental design for a sled, as shown.

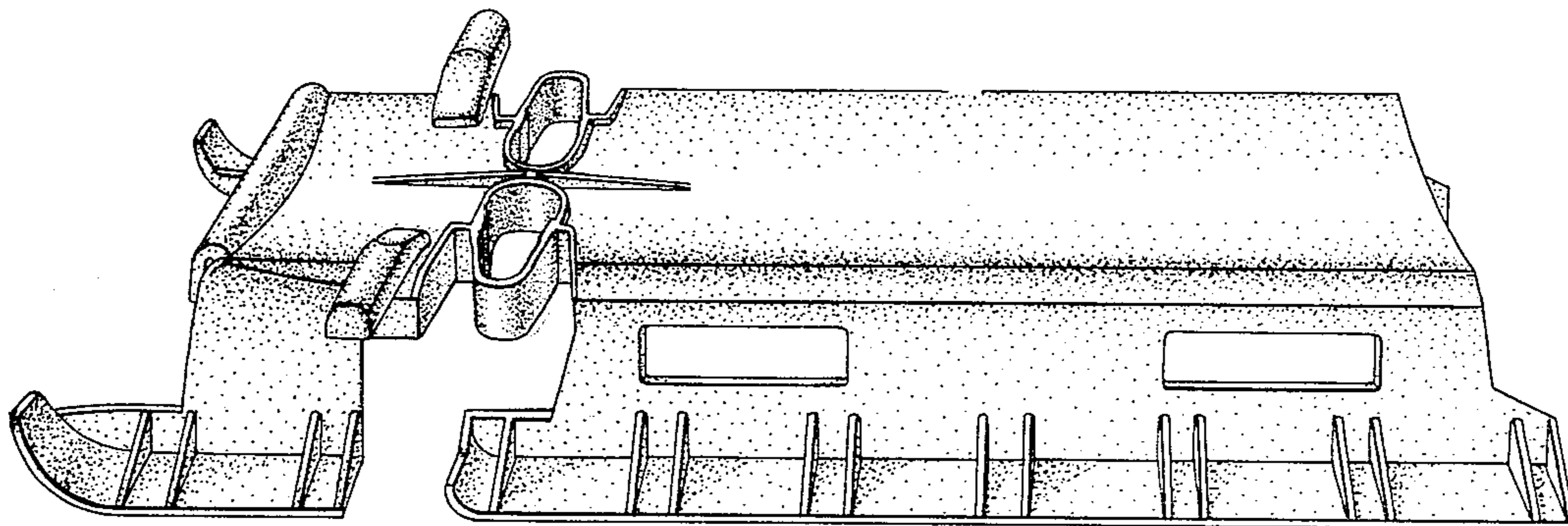
DESCRIPTION

FIG. 1 is a front perspective view of a sled showing my new design;

FIG. 2 is a side perspective view thereof;

FIG. 3 is a top plan view thereof; and

FIG. 4 is a bottom plan view thereof.



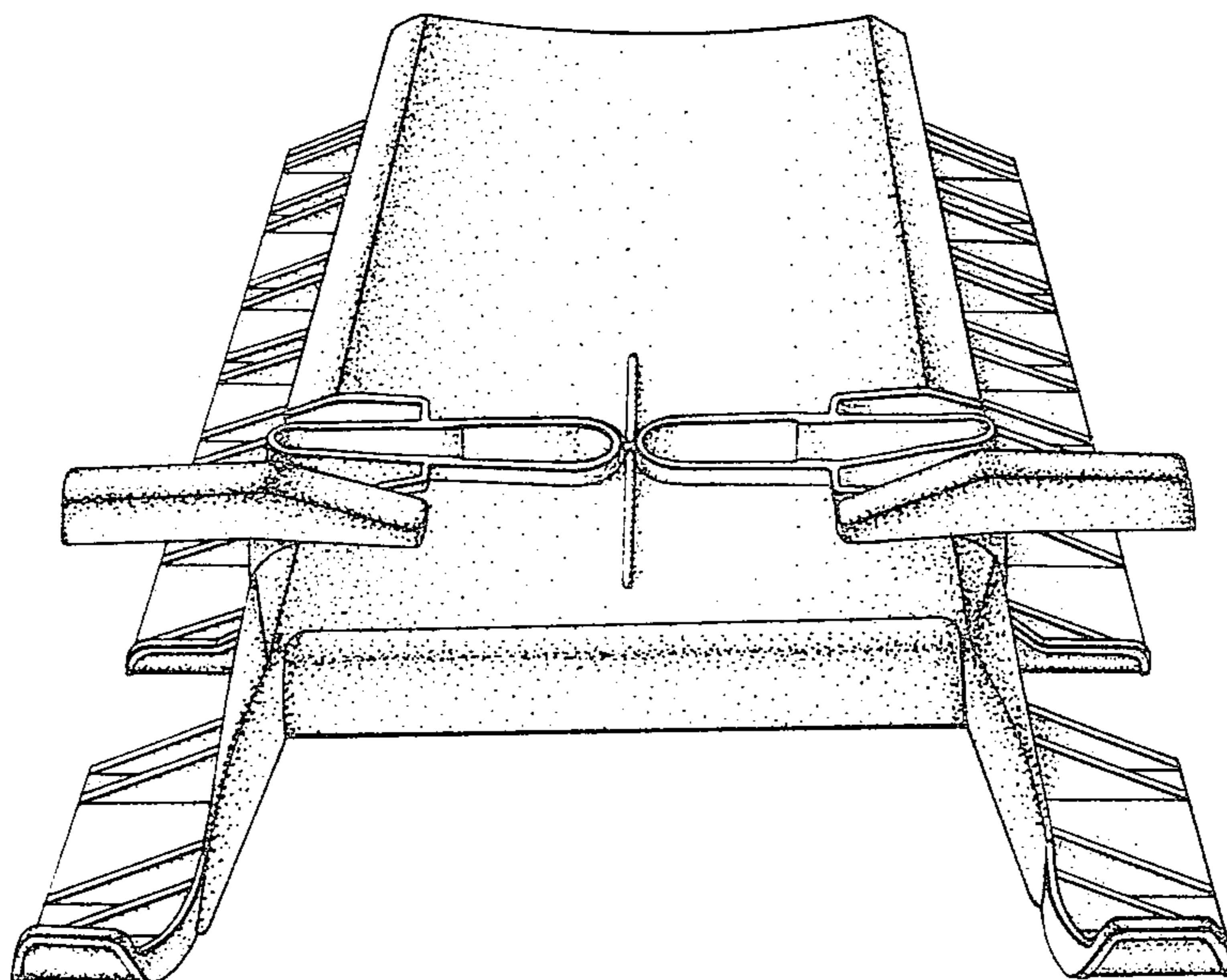


FIG. 1

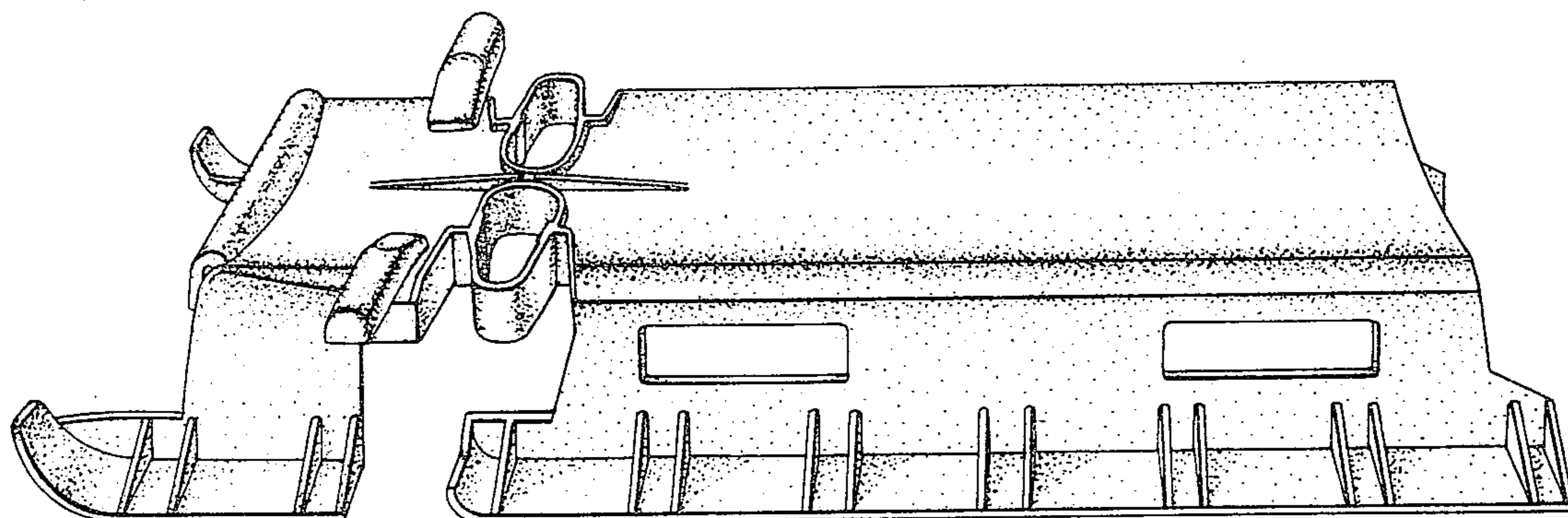


FIG. 2

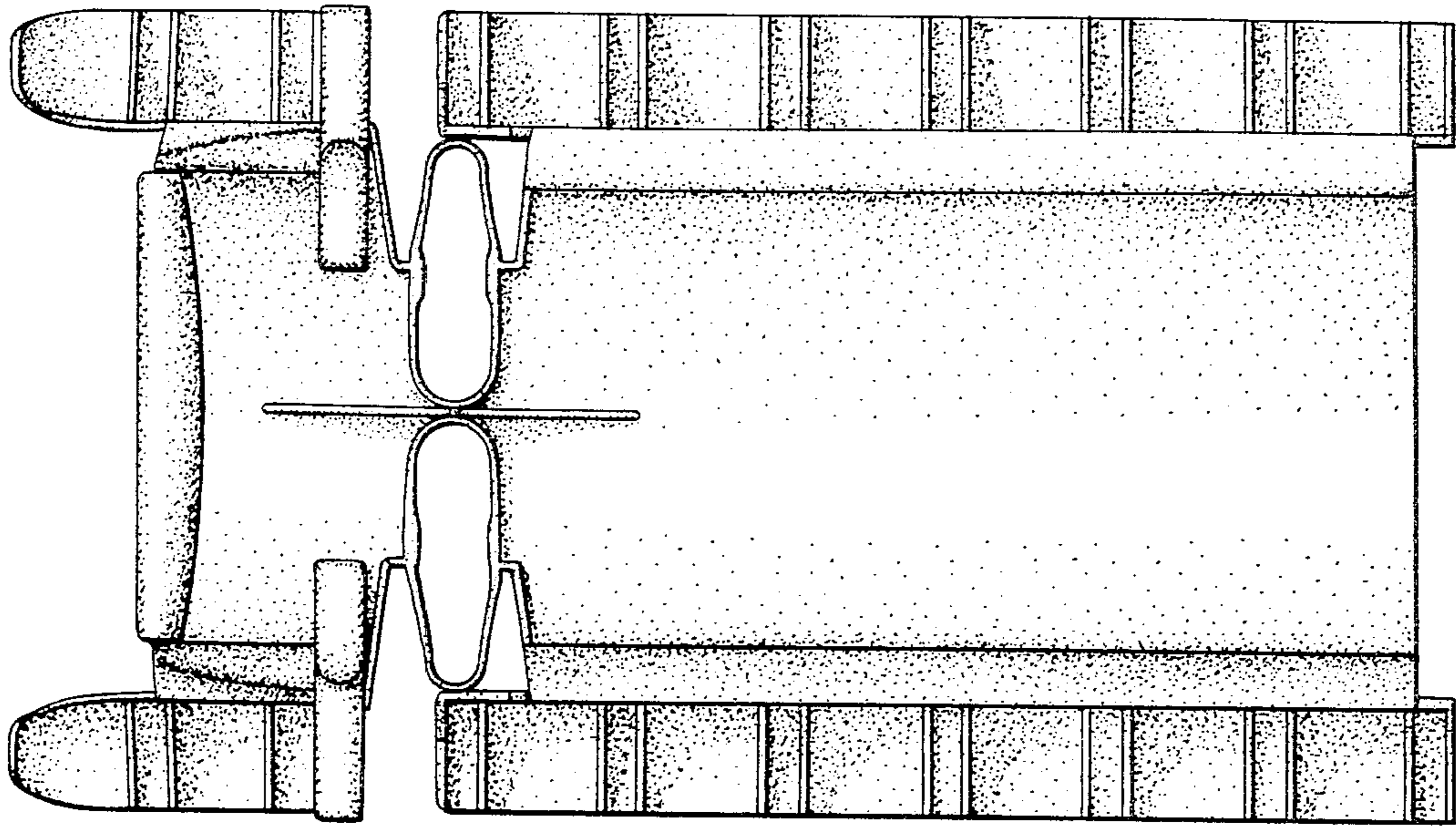


FIG. 3

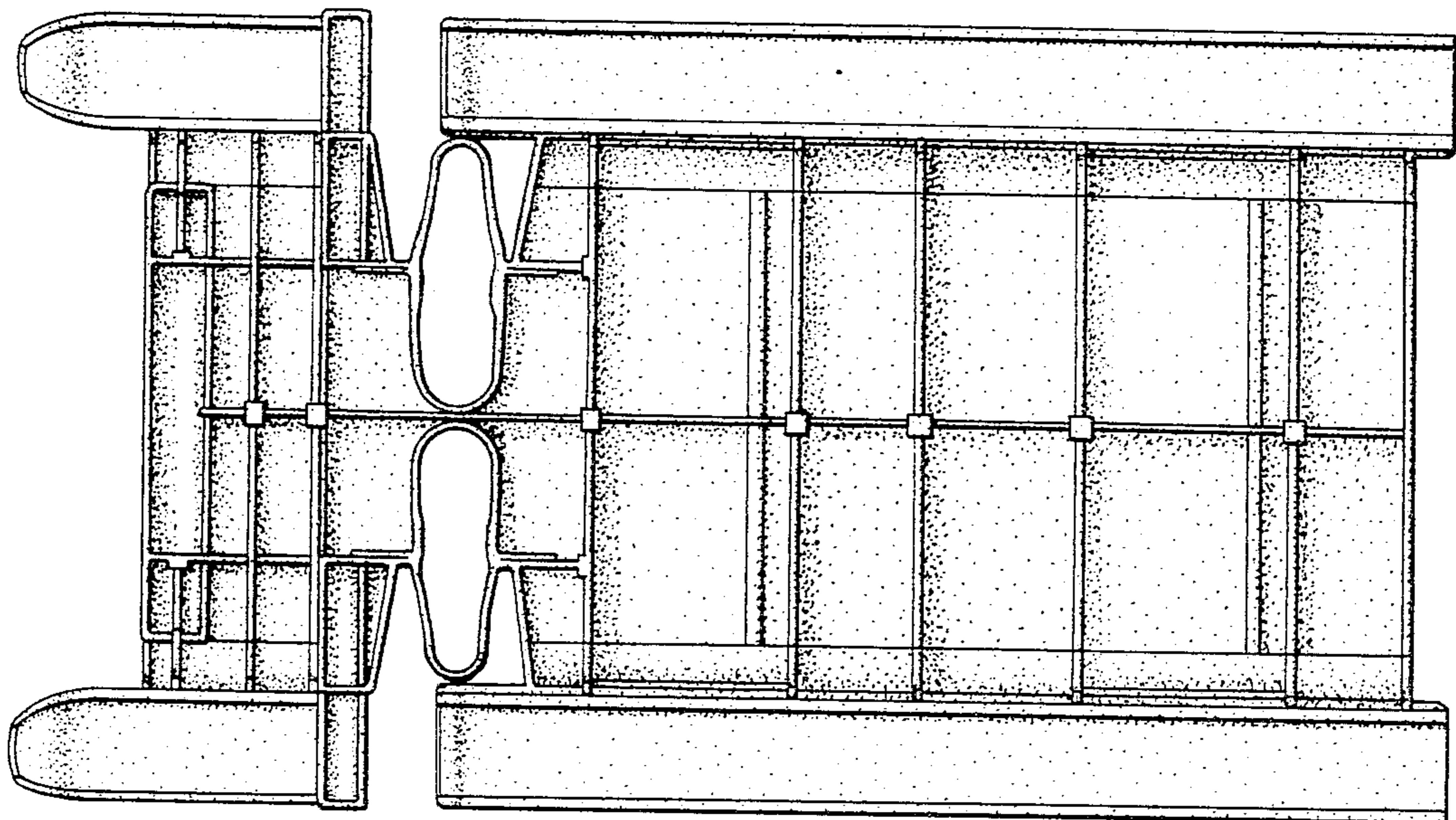


FIG. 4