

[54] OVERHEAD DOOR WEIGHING SCALE

4,360,071 11/1982 Dyck ..... 177/208

[76] Inventor: Richard C. Etchison, Rte. #6, Box 342, Anderson, Ind. 46011

Primary Examiner—Nelson C. Holtje  
Attorney, Agent, or Firm—Woodard, Weikart, Emhardt & Naughton

[\*\*] Term: 14 Years

[57] CLAIM

[21] Appl. No.: 488,128

The ornamental design for an overhead door weighing scale, as shown and described.

[22] Filed: Apr. 25, 1983

[52] U.S. Cl. .... D10/91; D10/87

[58] Field of Search ..... D10/87-95;  
177/200, 208, 262, 246

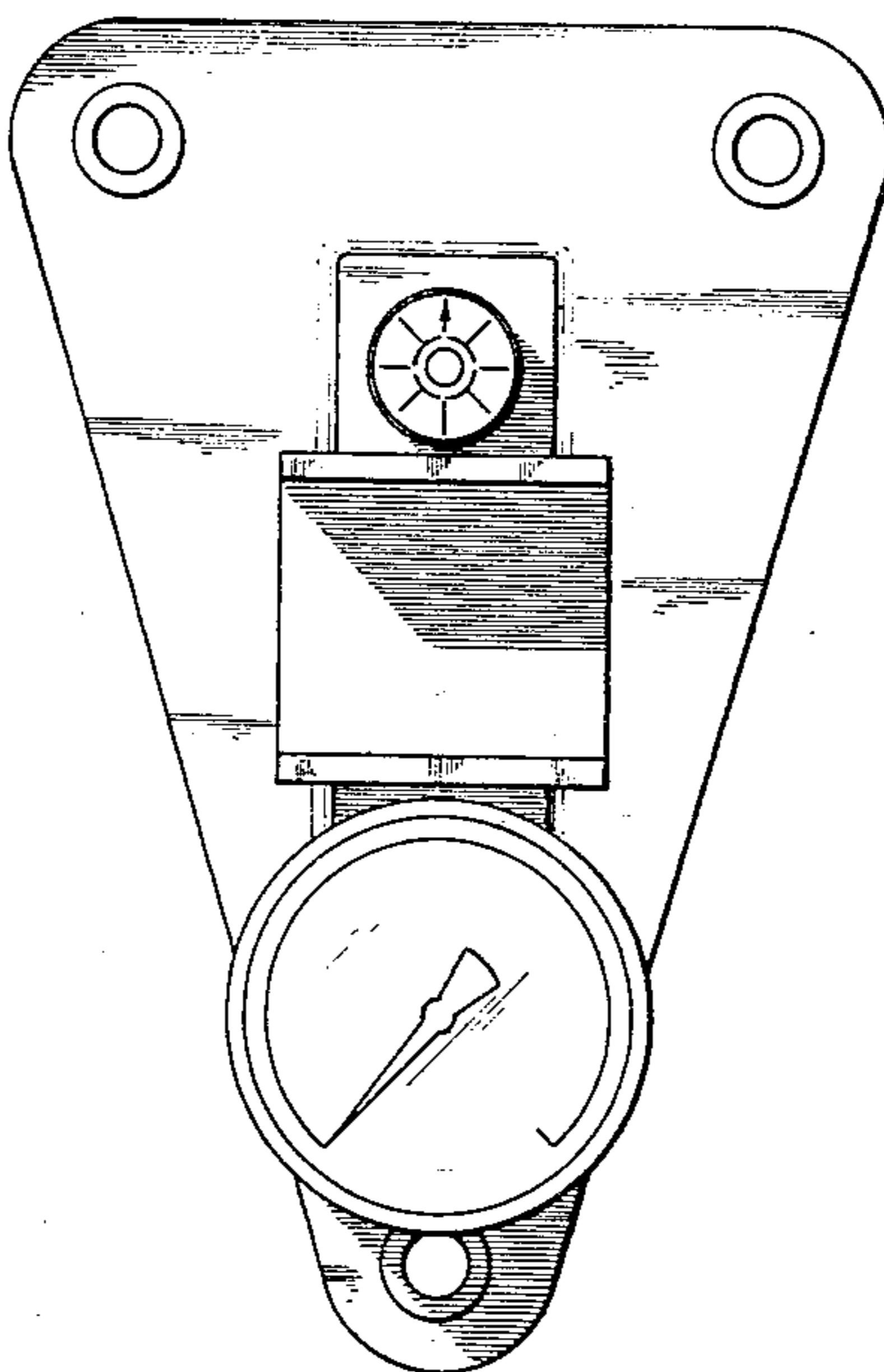
DESCRIPTION

[56] References Cited

U.S. PATENT DOCUMENTS

2,754,108	7/1956	Brown	177/208 X
3,200,897	8/1965	Gibbons	177/208 X
3,472,328	10/1969	Holman	177/208
3,712,394	1/1973	Davies	177/200 X
3,889,529	6/1975	Bradley	177/208 X
3,895,681	7/1975	Griffin	177/208 X

FIG. 1 is a top plan view of an overhead door weighing scale, showing a typical embodiment of my new design. FIG. 2 is a front elevational view thereof. FIG. 3 is a rear elevational view thereof. FIG. 4 is a bottom plan view thereof. FIG. 5 is a right side elevational view thereof. The appearance of the left side is a mirror image of the right side. The broken line showings of leveling bolts in FIGS. 2-3 and 5 are environmental only and form no part of the claimed design.



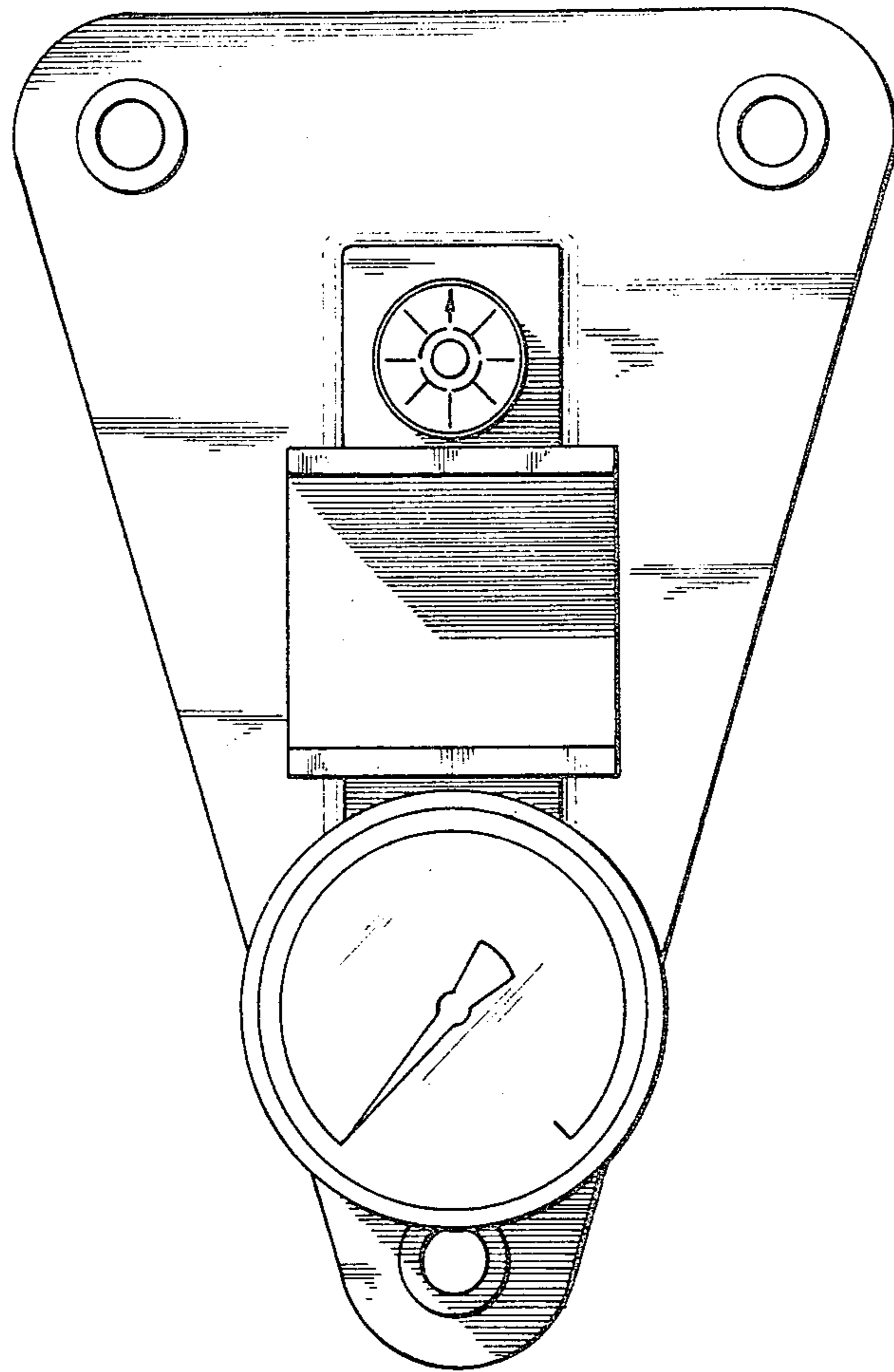


Fig. 1

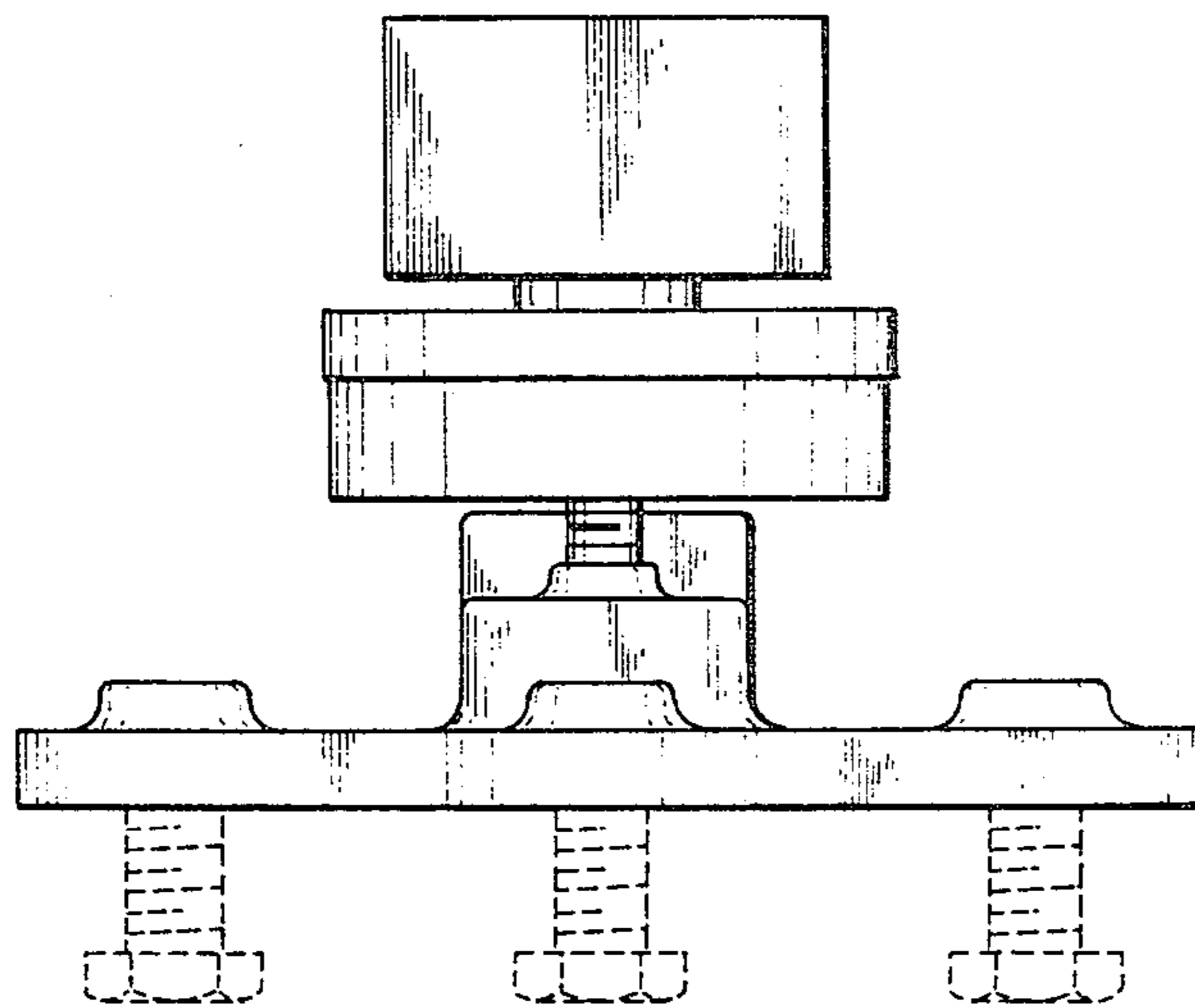


Fig. 2

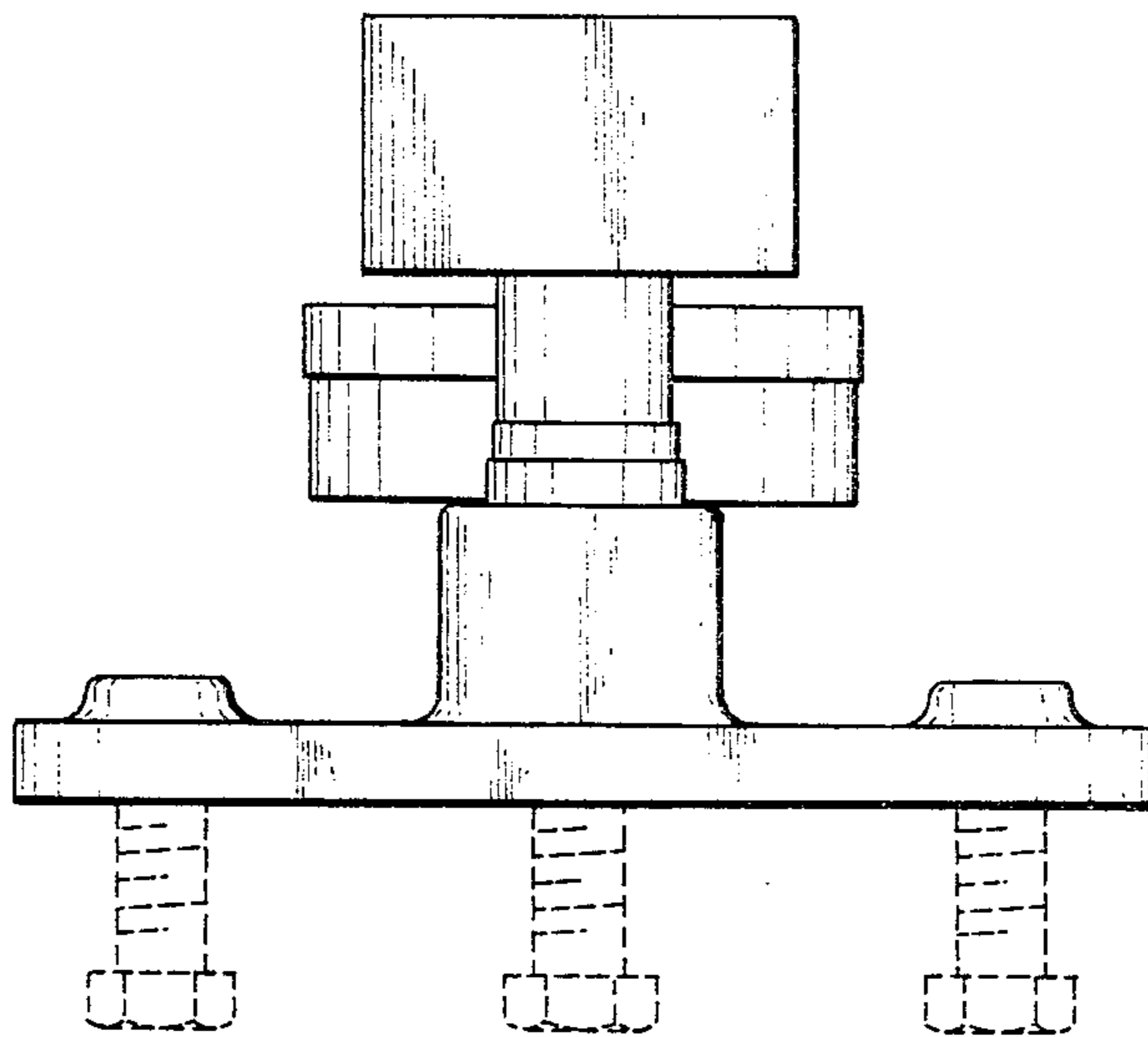


Fig. 3

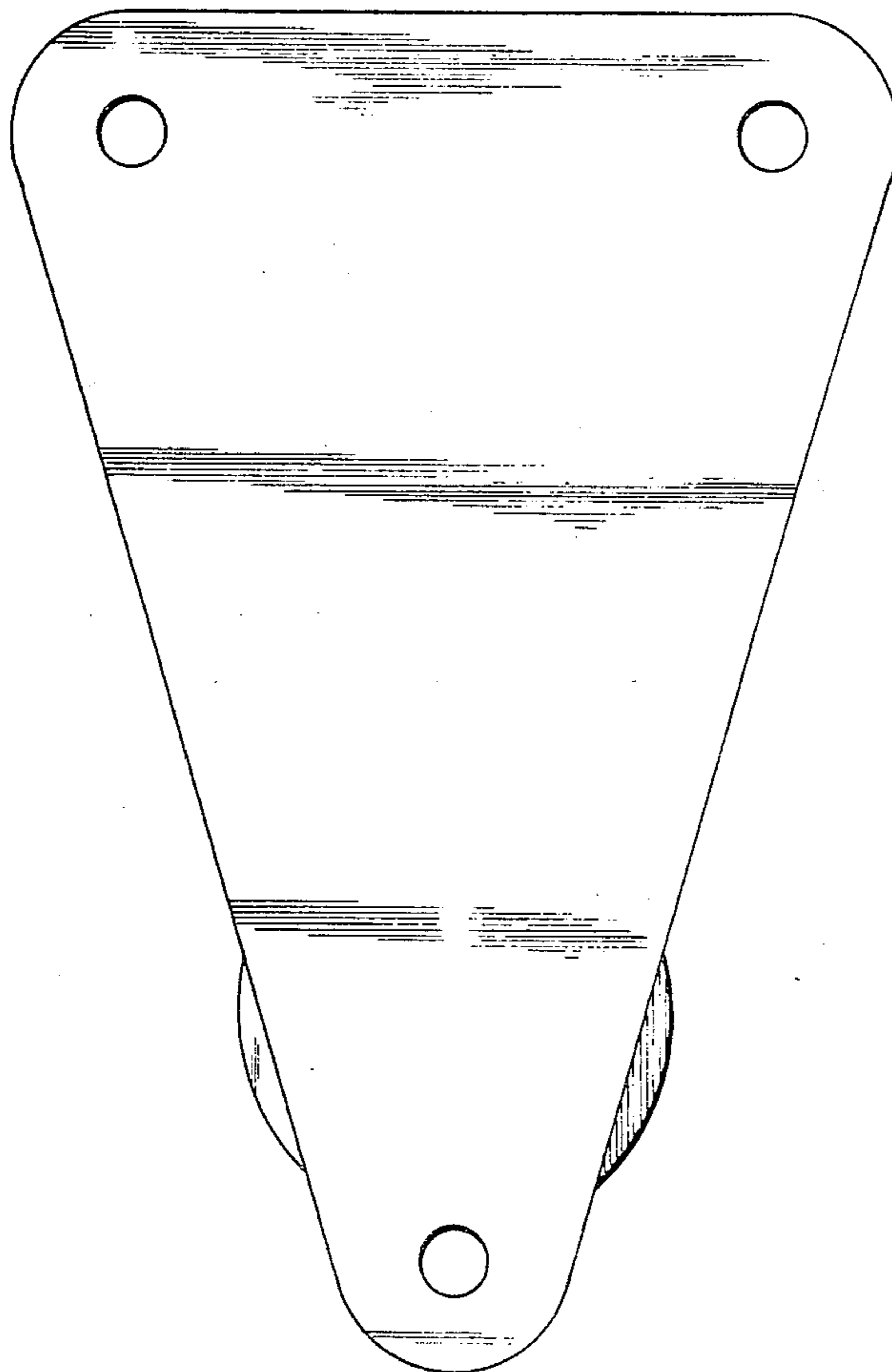


Fig. 4

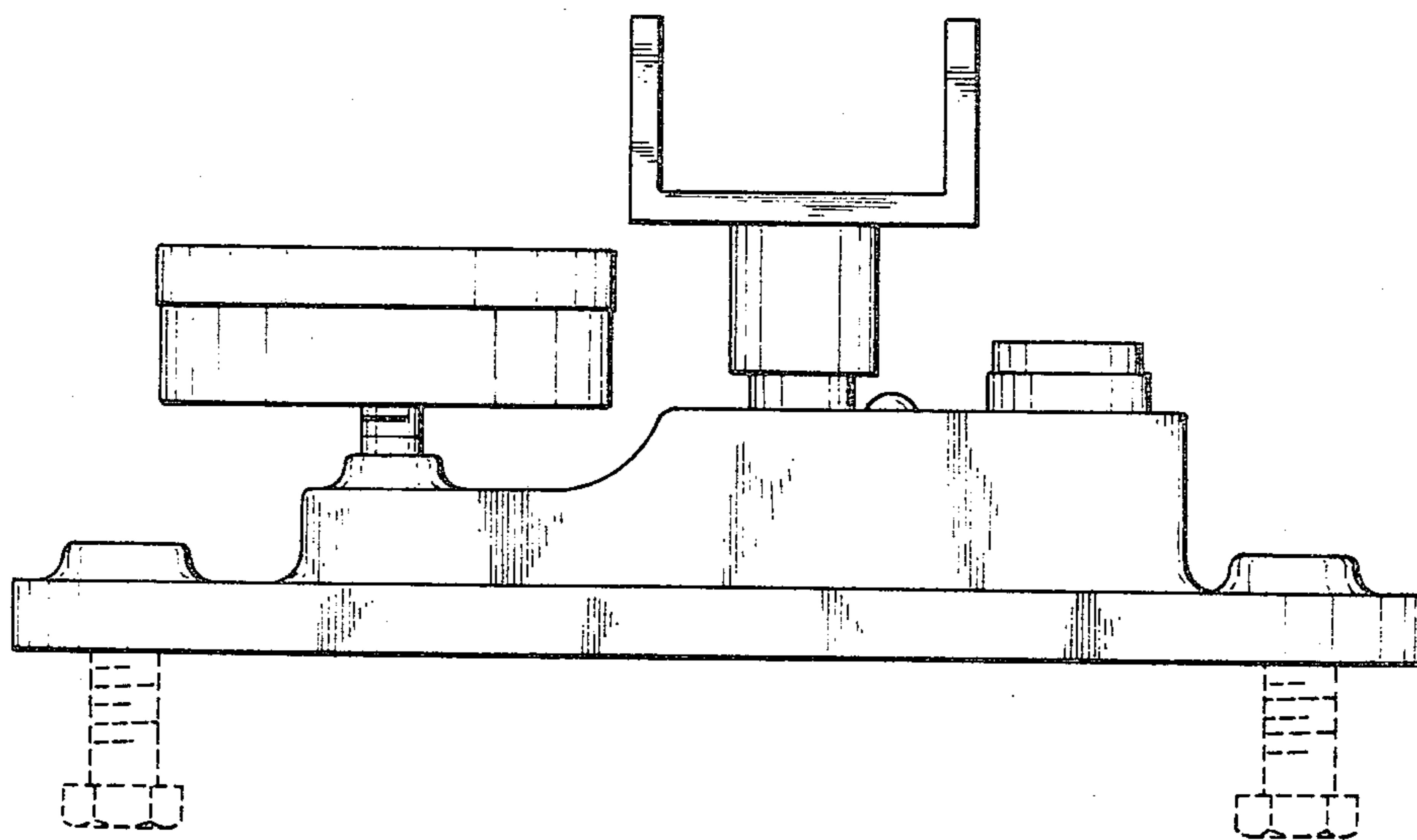


Fig. 5