

[54] **BOOKLET WITH WEDDING CASSETTE AND CARD**

[76] **Inventor: Odette de La Tour, 16 W. 82nd St., New York, N.Y. 10024**

[**] **Term: 14 Years**

[21] **Appl. No.: 458,326**

[22] **Filed: Jan. 17, 1983**

[52] **U.S. Cl. D9/337; D3/35; D9/326**

[58] **Field of Search D9/414, 326, 337, 420; D3/35, 66; 206/387, 472, 473; 434/309, 317**

[56] **References Cited**

U.S. PATENT DOCUMENTS

D. 221,193 7/1971 Goren D3/35
D. 269,853 7/1983 Springett D9/326

D. 271,161 11/1983 Compton D3/35
3,503,141 3/1970 Schwartz D3/35
3,829,132 8/1974 Willieme 434/317
3,866,751 2/1975 Holert 434/317
4,407,410 10/1983 Graetz et al. 206/387

Primary Examiner—George P. Word
Attorney, Agent, or Firm—William V. Pesce

[57] **CLAIM**

The ornamental design for a booklet with wedding cassette and card, substantially as shown and described.

DESCRIPTION

FIG. 1 is a rear elevational view of a booklet with wedding cassette and card showing my new design; FIG. 2 is a right side elevational view thereof; FIG. 3 is a left side elevational view thereof; and FIG. 4 is a front perspective view thereof in the open position.

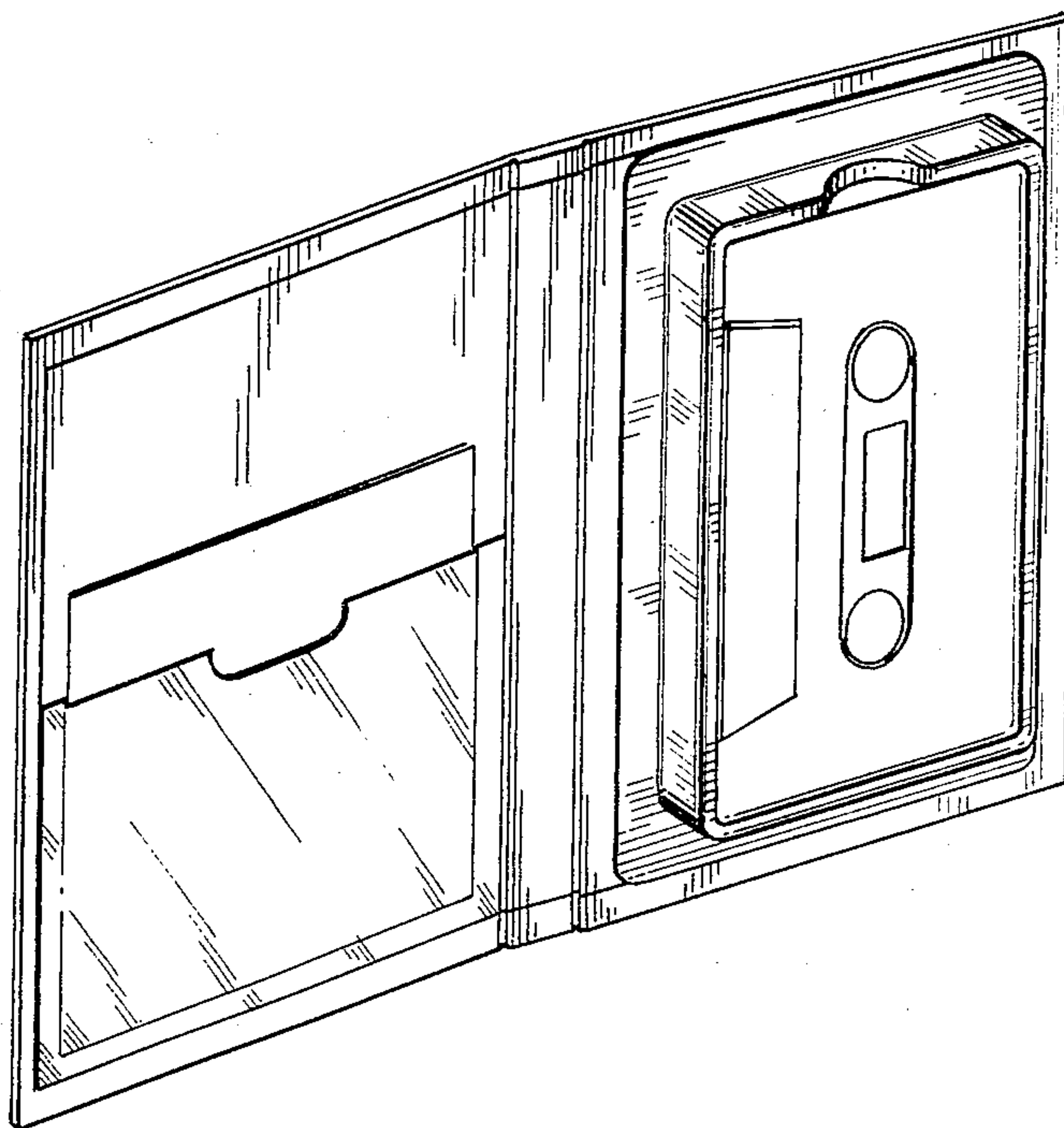


Fig. 3.

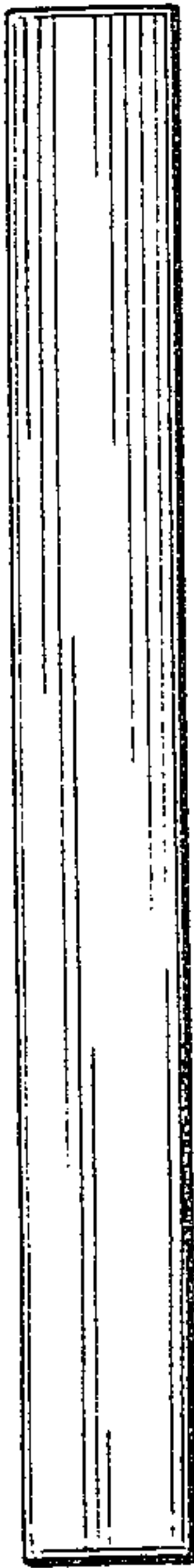


Fig. 1.

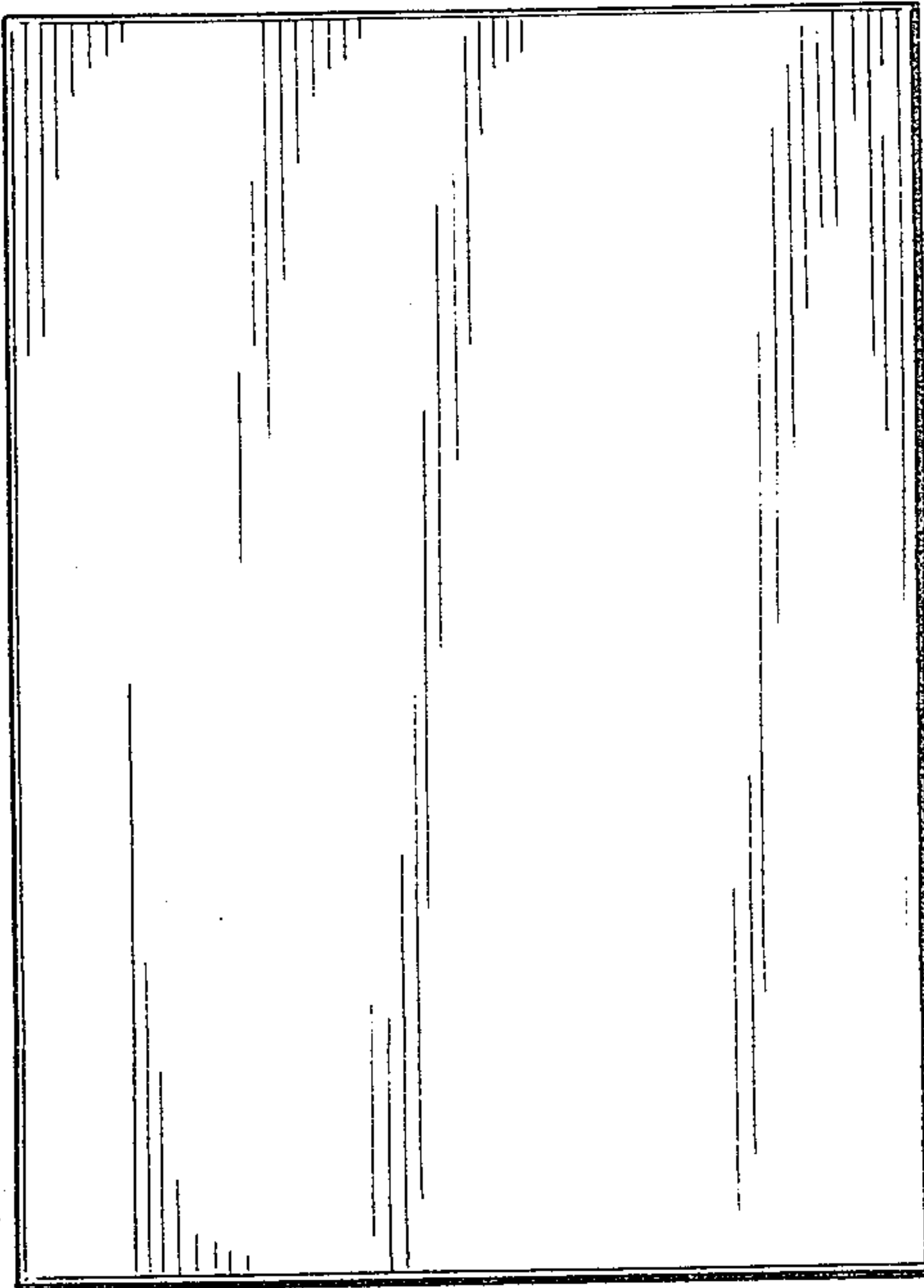


Fig. 2.

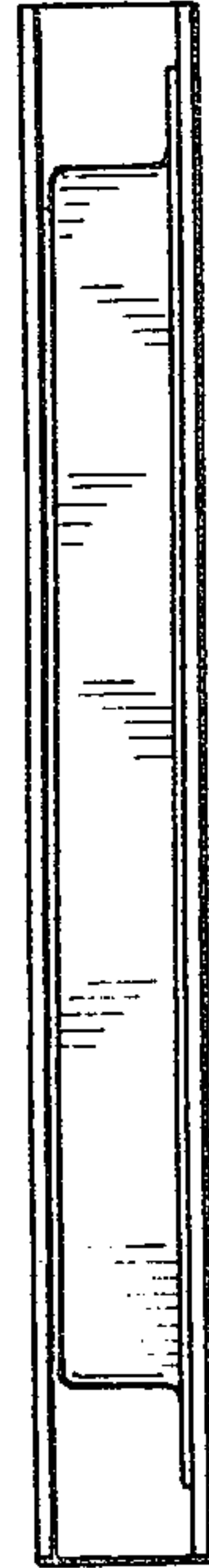


Fig. 4.

