

United States Patent [19]

Farmer et al.

[11] Patent Number: **Des. 281,052**

[45] Date of Patent: **** Oct. 22, 1985**

[54] SHEET GLASS CONNECTOR

[75] Inventors: **Gary L. Farmer, Downey; Donald E. Leuder, Long Beach, both of Calif.**

[73] Assignee: **Cal-Tuf Glass Corporation, South Gate, Calif.**

[**] Term: **14 Years**

[21] Appl. No.: **559,357**

[22] Filed: **Dec. 8, 1985**

[52] U.S. Cl. **D8/394**

[58] Field of Search **D8/382, 394-396; 312/140; 403/167, 168; 52/285**

[56] References Cited

U.S. PATENT DOCUMENTS

D. 265,048	6/1982	Guardia	D8/394
3,362,739	1/1968	Staeger et al.	52/285
4,223,966	9/1980	Winters	312/140

FOREIGN PATENT DOCUMENTS

1284596	12/1968	Fed. Rep. of Germany	52/285
---------	---------	----------------------	-------	--------

OTHER PUBLICATIONS

Popular Mechanics; 9/1982; p. 101, "clip together organizers", (upper right).

Visual Merchandising; 7/1978; p. 21; glass connectors (upper left).

Visual Merchandising; 12/1980; p. 108; glass connectors (bottom right).

Primary Examiner—B. J. Bullock

Attorney, Agent, or Firm—Herzig, Schaap & Yanny

[57] CLAIM

The ornamental design for a sheet glass connector, substantially as shown and described.

DESCRIPTION

FIG. 1 is a rear perspective view of the sheet glass connector showing our new design;

FIG. 2 is a front elevational view thereof;

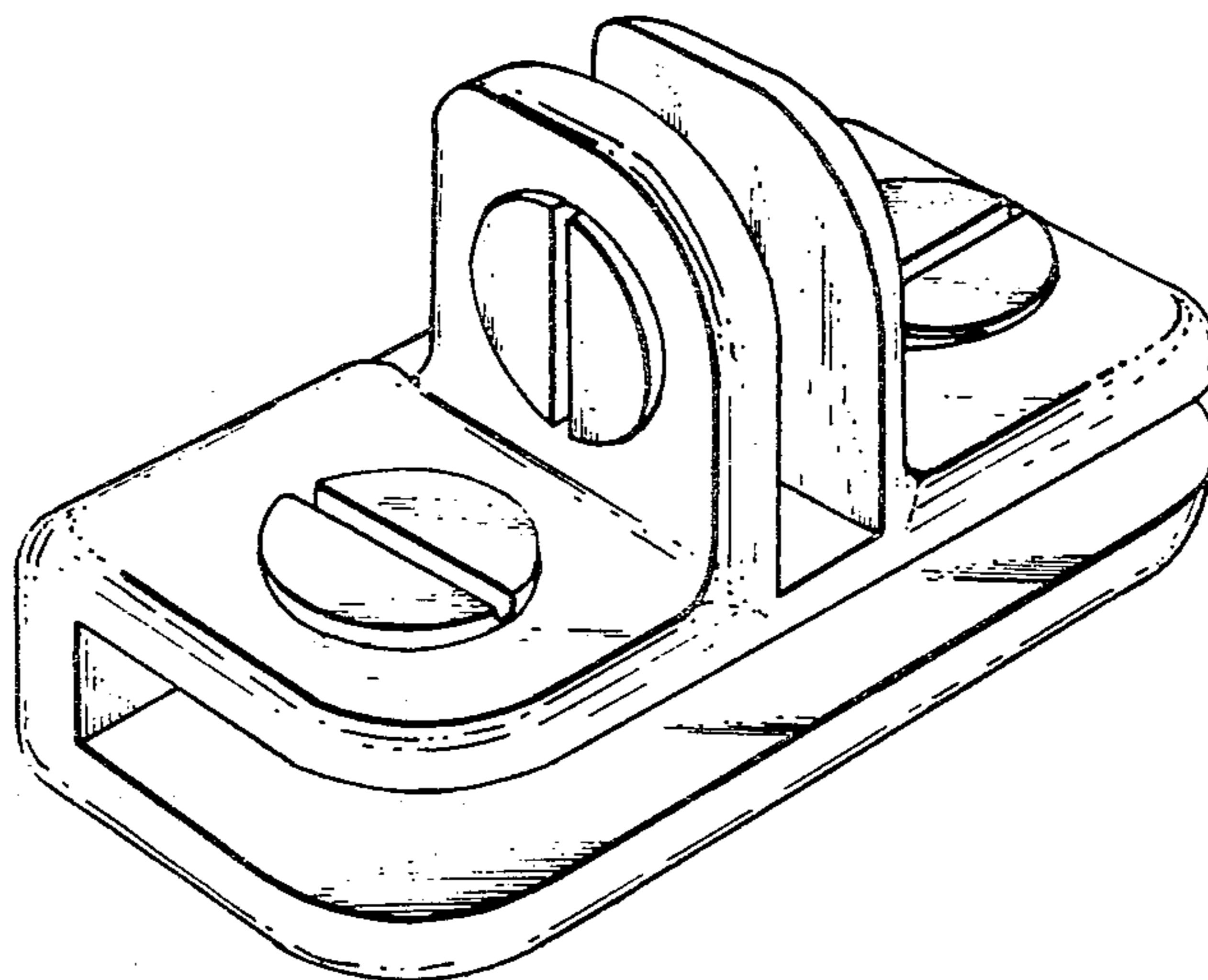
FIG. 3 is a rear elevational view thereof;

FIG. 4 is a side elevational view taken from the left of FIG. 1;

FIG. 5 is a side elevational view taken from the right of FIG. 1;

FIG. 6 is a top plan view thereof;

FIG. 7 is a bottom plan view thereof.



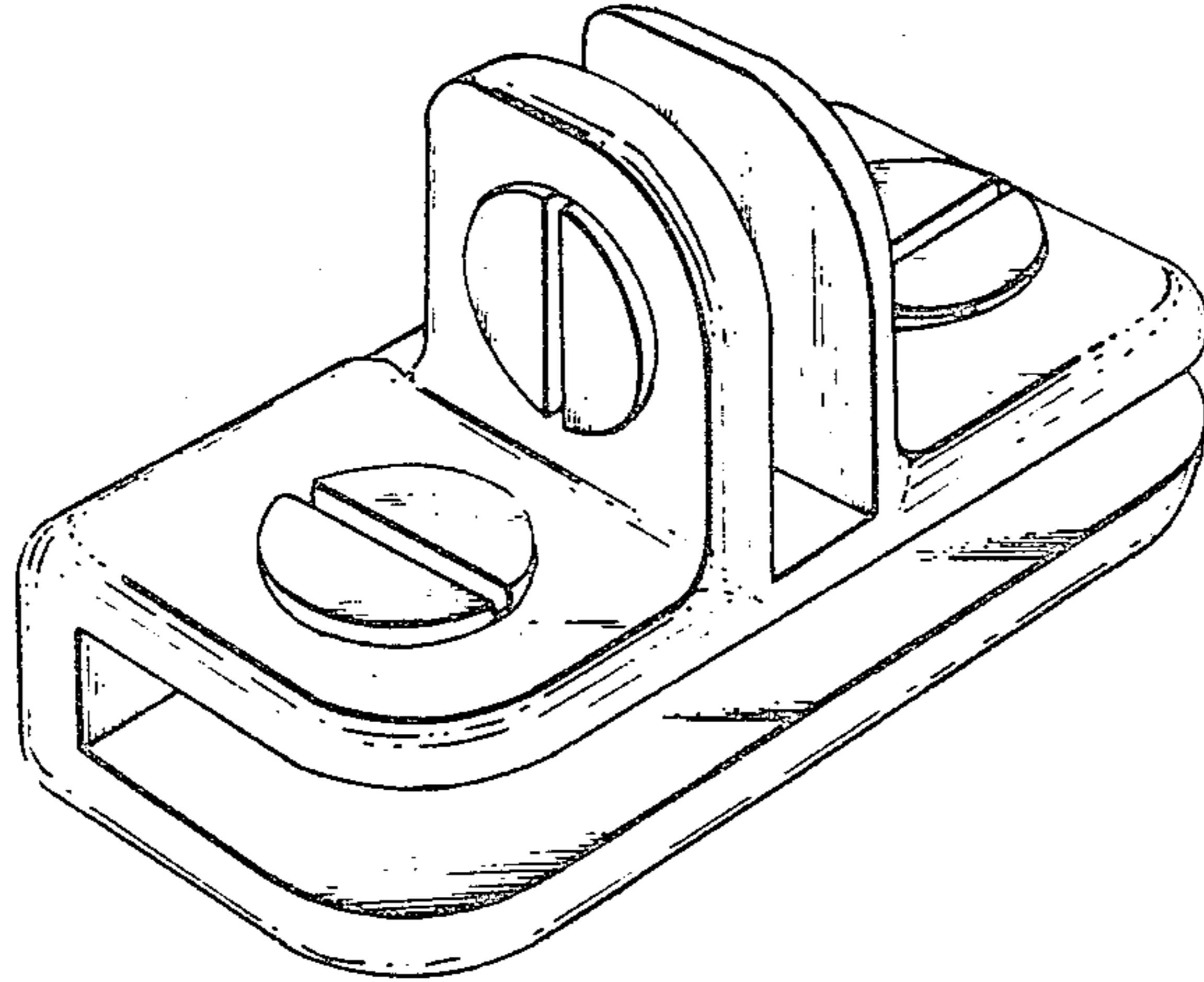


Fig. 1.

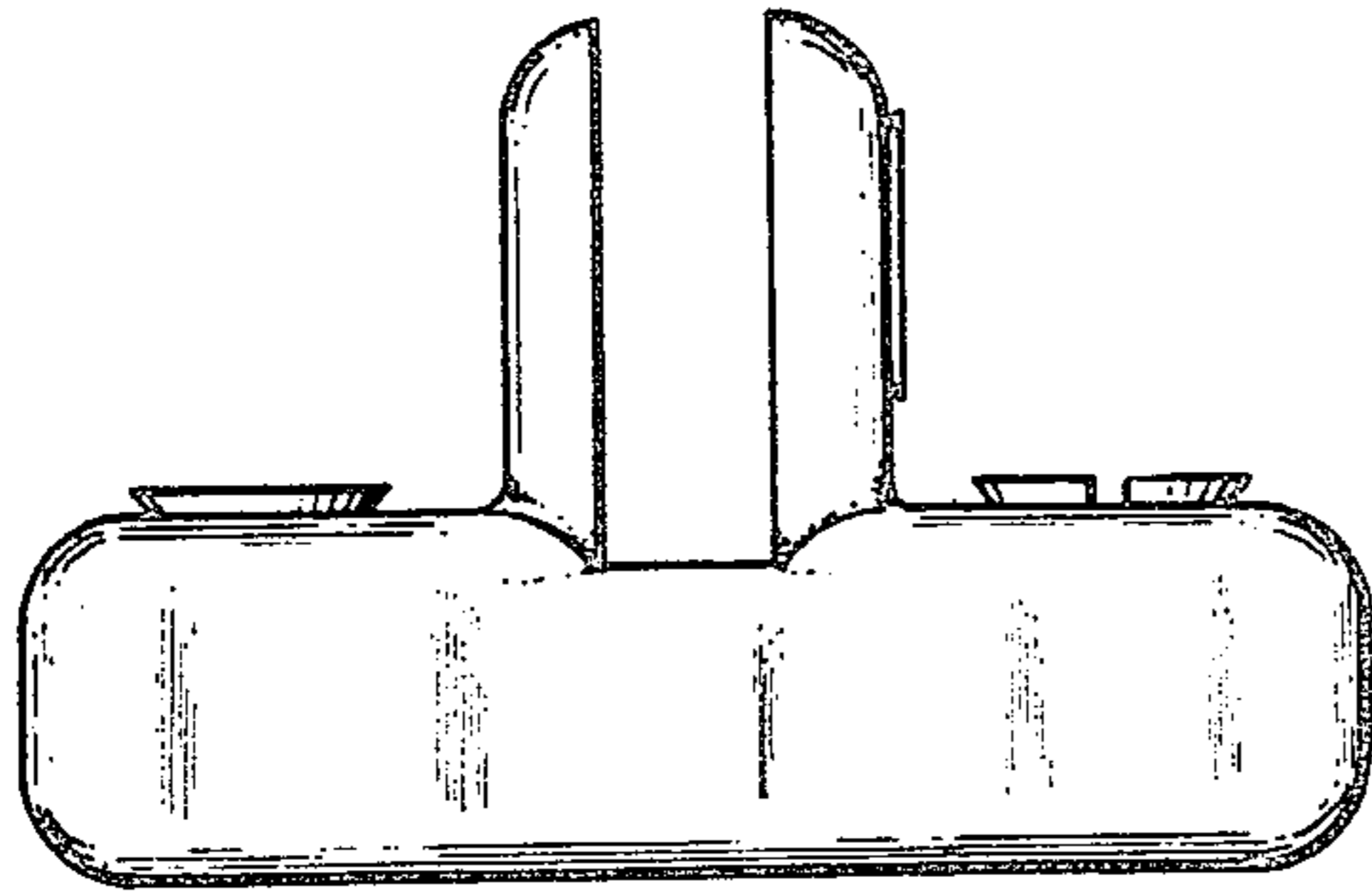
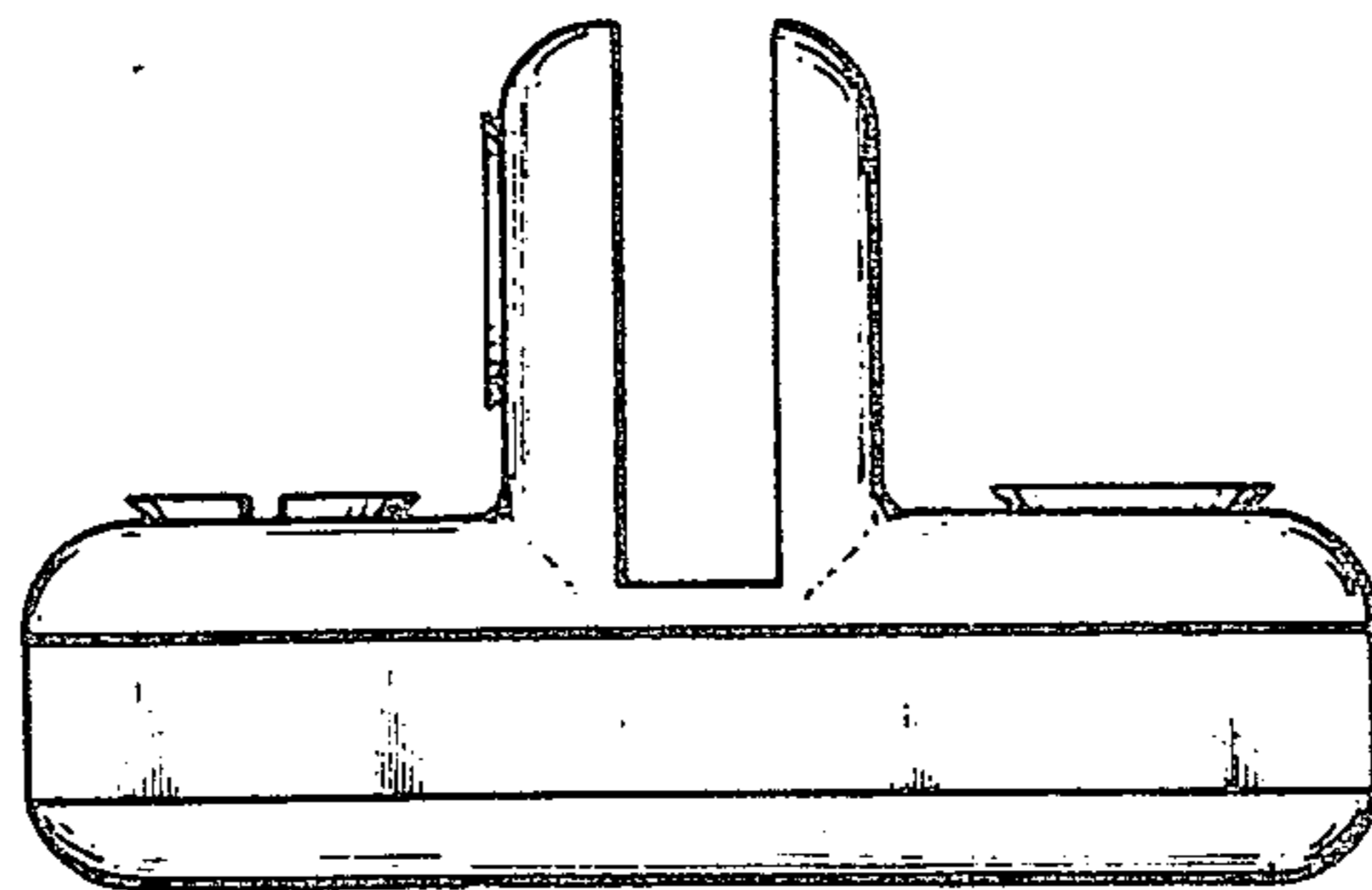


Fig. 2.

Fig. 3.



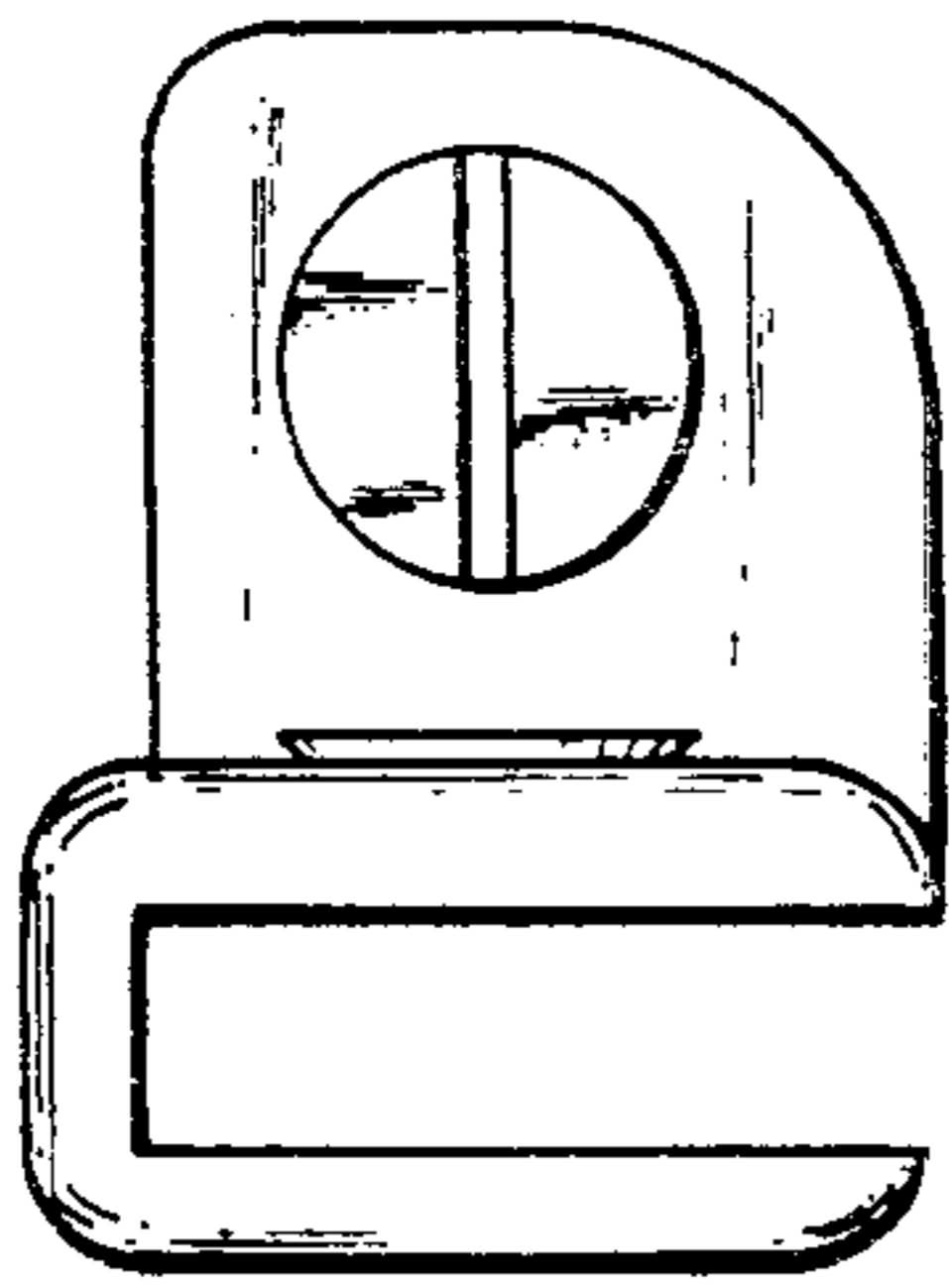


Fig. 4.

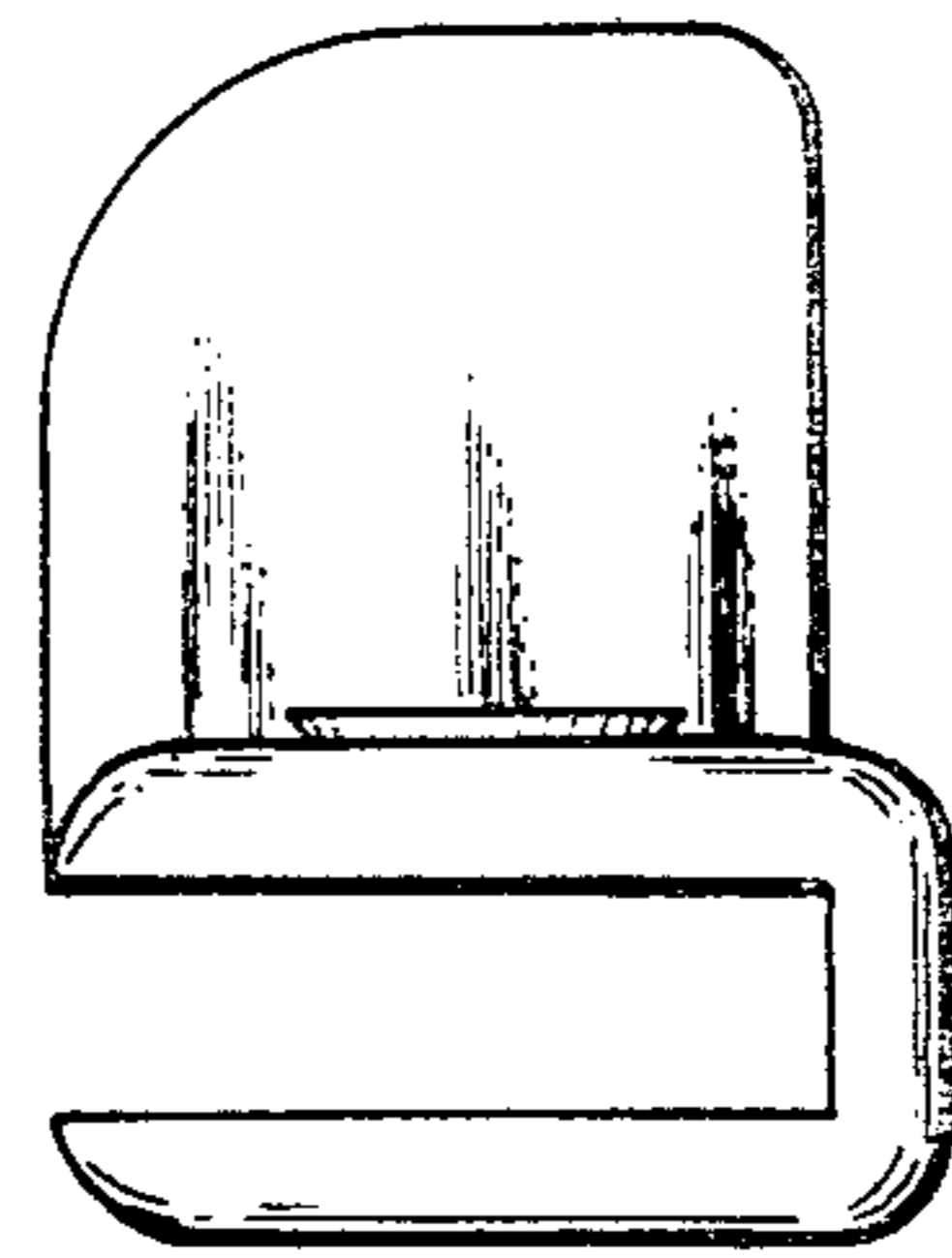


Fig. 5.

Fig. 6.

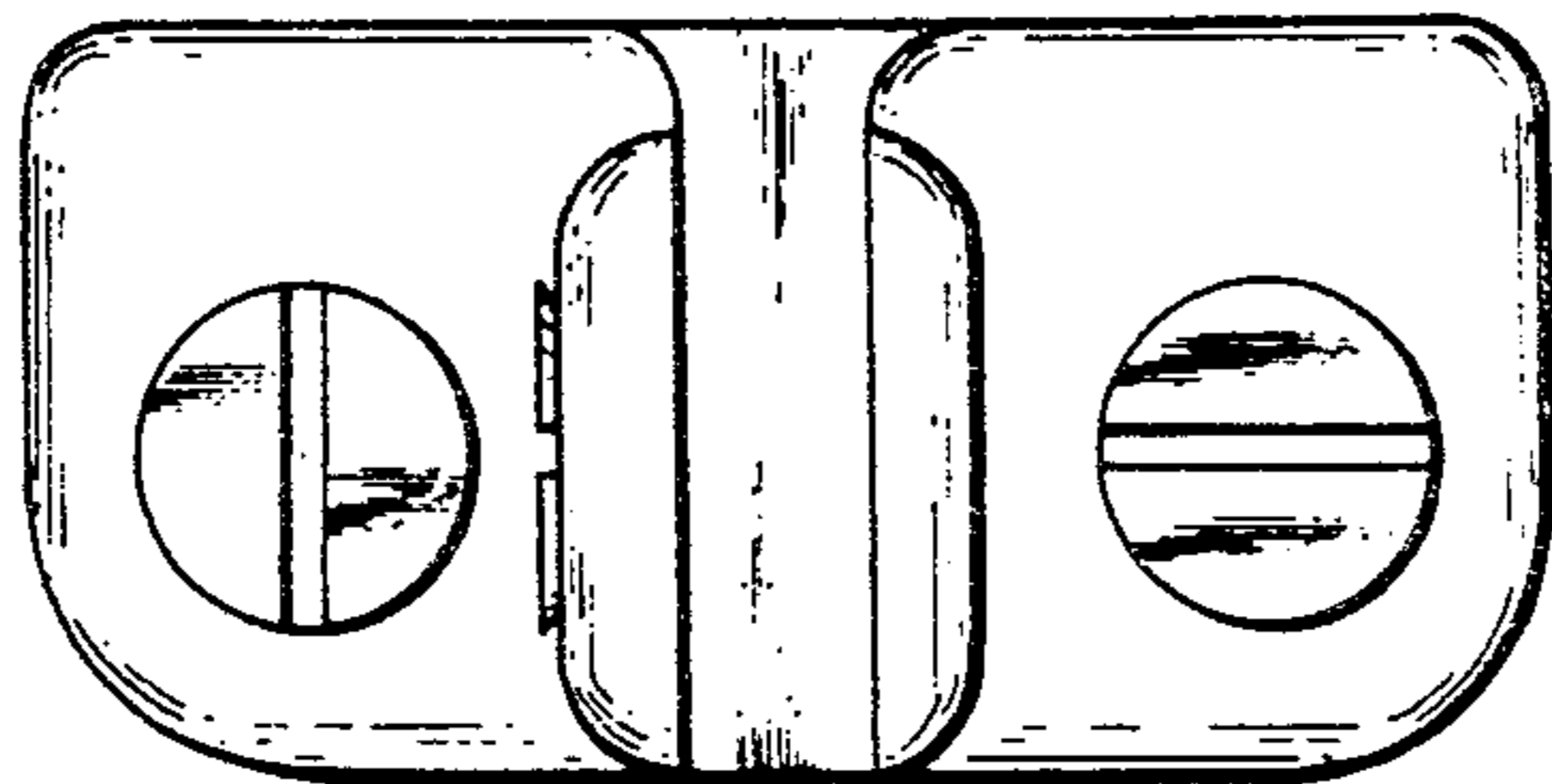


Fig. 7.

