

# United States Patent [19]

Cesaroni et al.

[11] Patent Number: **Des. 281,050**

[45] Date of Patent: **\*\* Oct. 22, 1985**

[54] **COMBINED CASSEROLE WITH REVERSIBLE COVER**

[75] Inventors: **William C. Cesaroni, Glenview, Ill.; Robert P. Rauert, West Bend, Wis.**

[73] Assignee: **Dart Industries Inc., Northbrook, Ill.**

[\*\*] Term: **14 Years**

[21] Appl. No.: **473,296**

[22] Filed: **Mar. 8, 1983**

[52] U.S. Cl. .... **D7/360**

[58] Field of Search ..... **D7/360, 391, 387, 323, D7/354; 219/391, 429, 438-442, 432, 472-475; 220/4 B**

[56] **References Cited**

**U.S. PATENT DOCUMENTS**

- D. 174,180 3/1955 Howie ..... D7/393
- D. 199,747 12/1964 Farber ..... D7/354
- D. 241,601 9/1976 Cook ..... D7/355 X
- D. 250,802 1/1979 Elliott et al. .... D7/360 X

- 3,127,300 3/1964 Maggio ..... 219/438 X
- 3,661,296 5/1972 Hamer ..... 220/94 A
- 4,270,067 5/1981 Thomas et al. .... 219/439 X

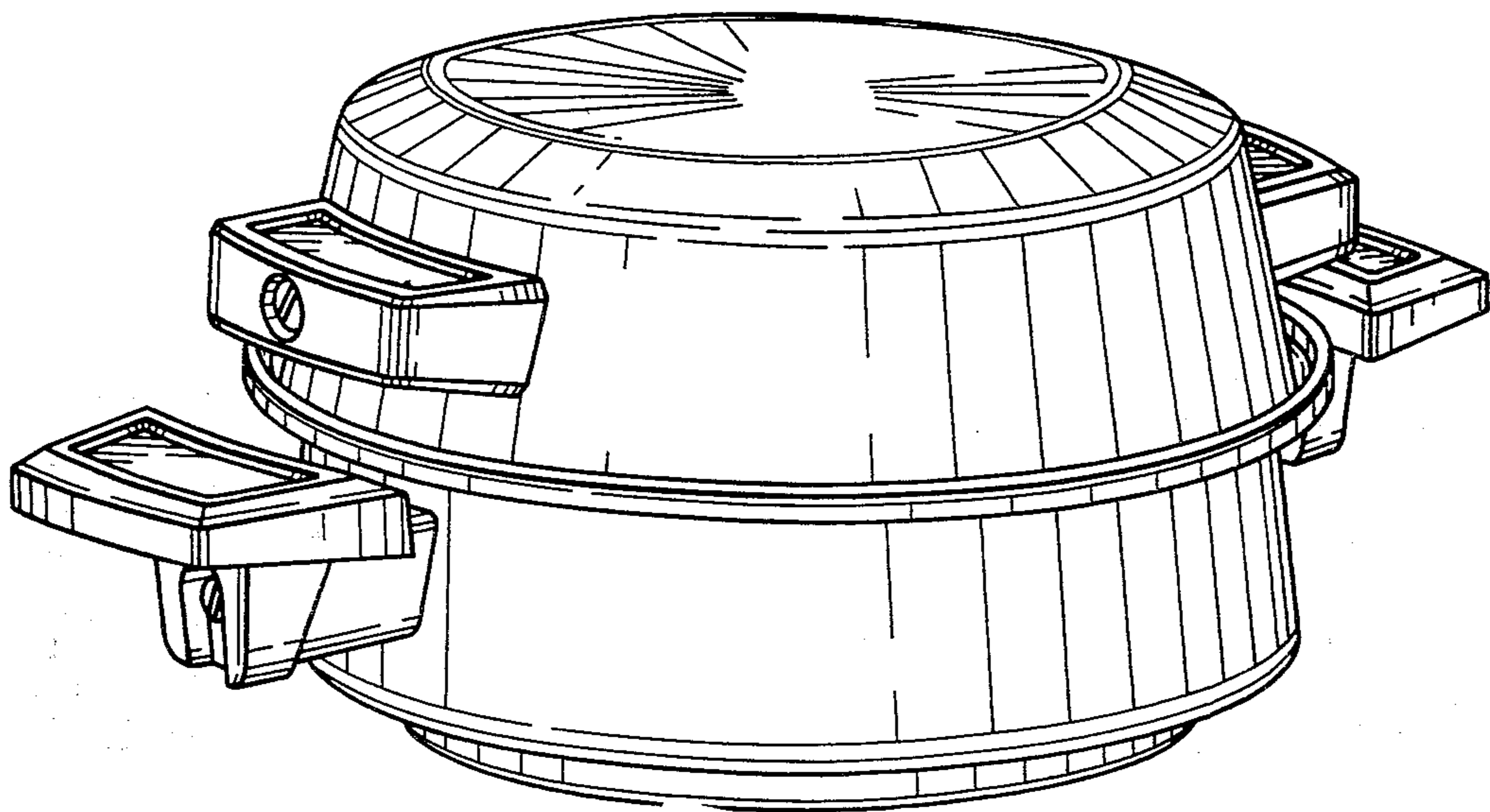
*Primary Examiner*—Bernard Ansher  
*Assistant Examiner*—Linda Titolo  
*Attorney, Agent, or Firm*—Gregory J. Mancuso

[57] **CLAIM**

The ornamental design for a combined casserole with reversible cover, substantially as is shown.

**DESCRIPTION**

FIG. 1 is a front perspective view of a combined casserole with reversible cover showing our new design; FIG. 2 is a top plan view thereof; FIG. 3 is a rear elevational view thereof; FIG. 4 is a side elevational view thereof; FIG. 5 is a bottom plan view thereof; FIG. 6 is an exploded front perspective view thereof; FIG. 7 is a top plan view of the base portion of the casserole; and FIG. 8 is a bottom plan view of the reversible cover.



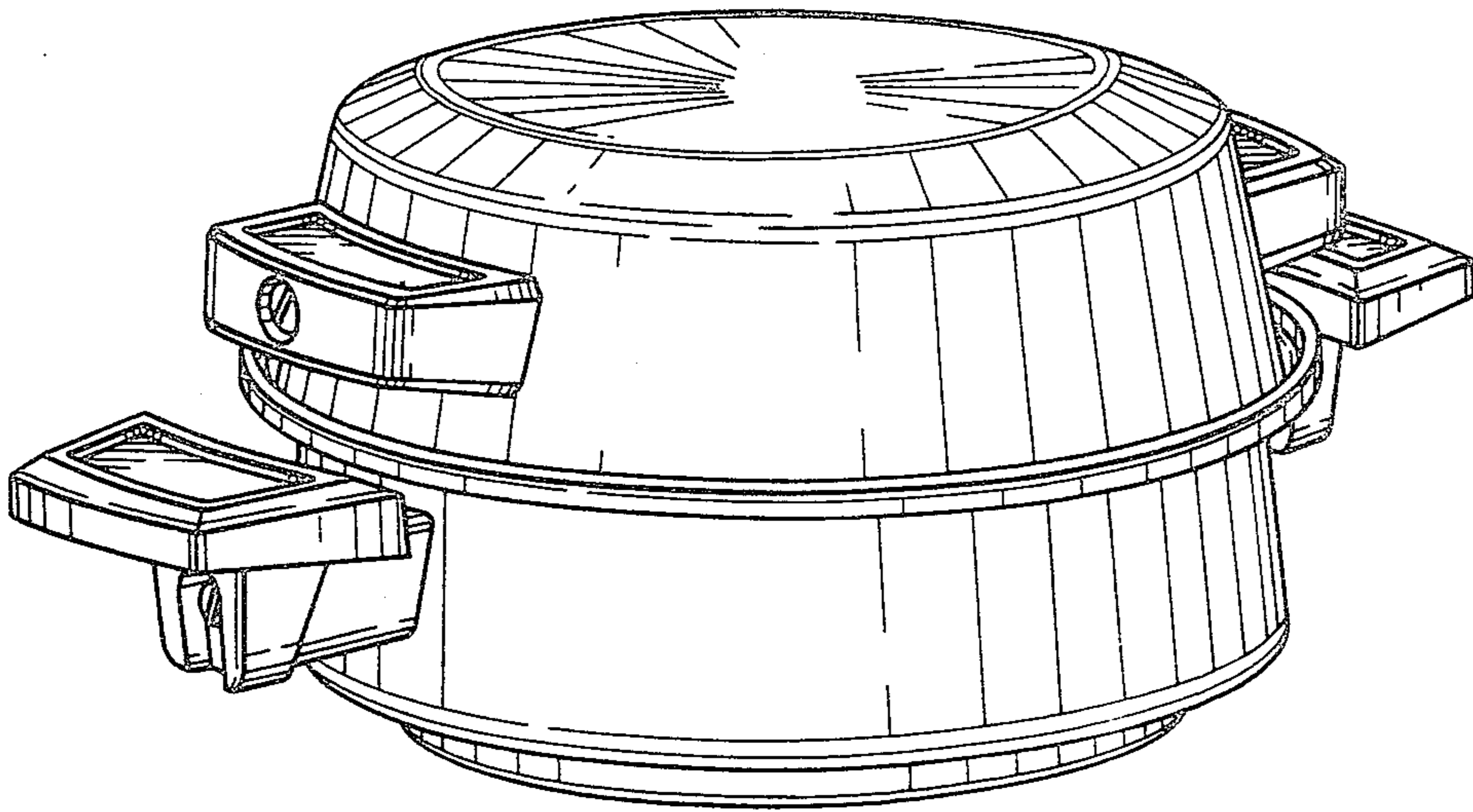


FIG. 1

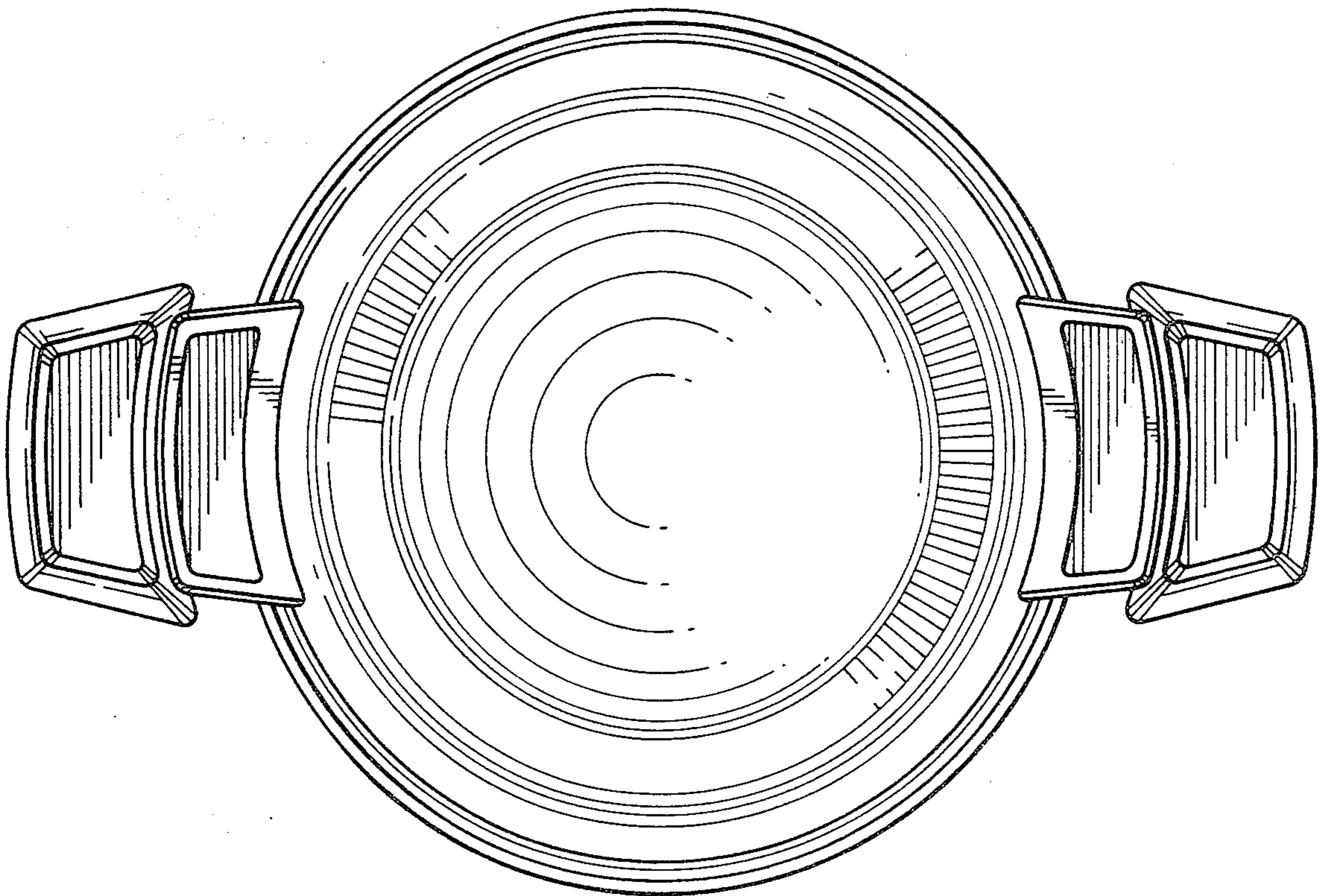


FIG. 2

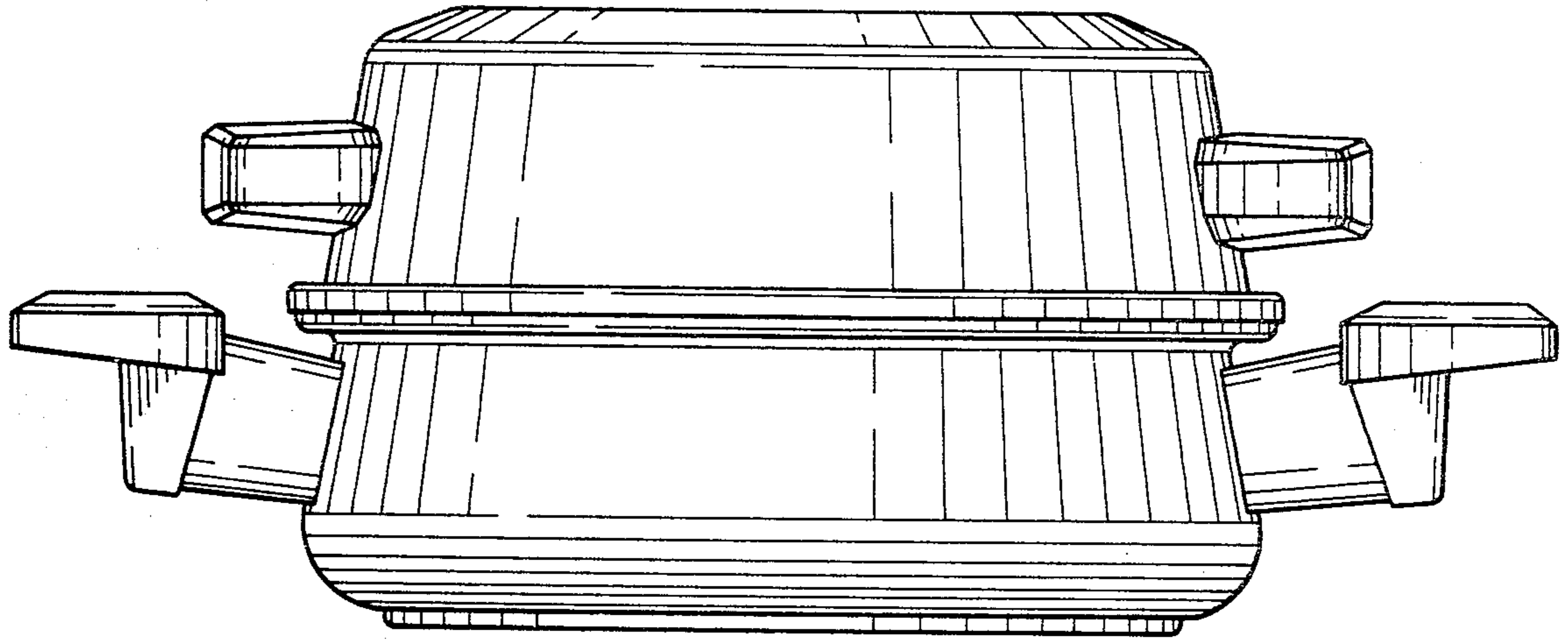


FIG. 3

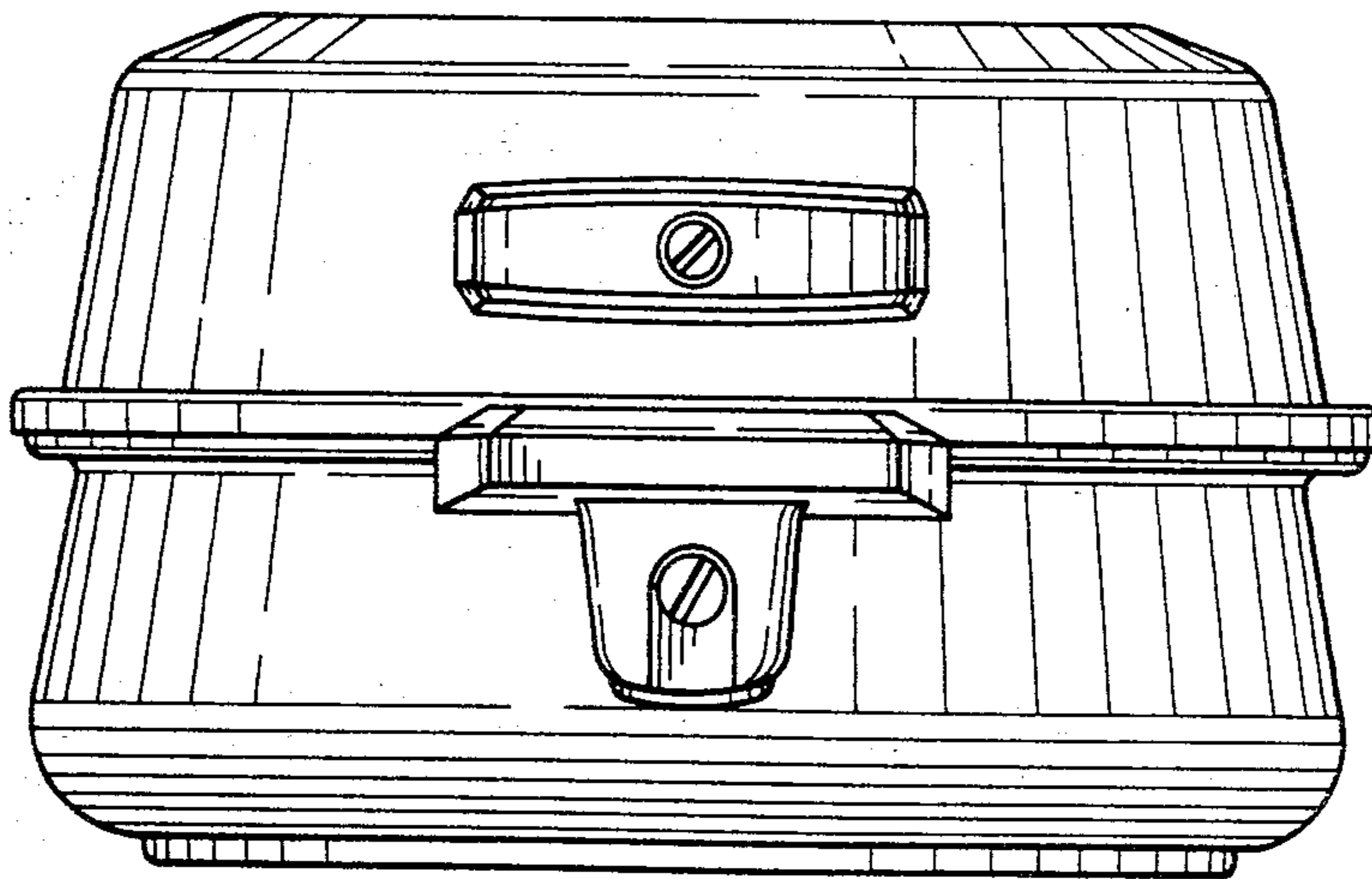


FIG. 4

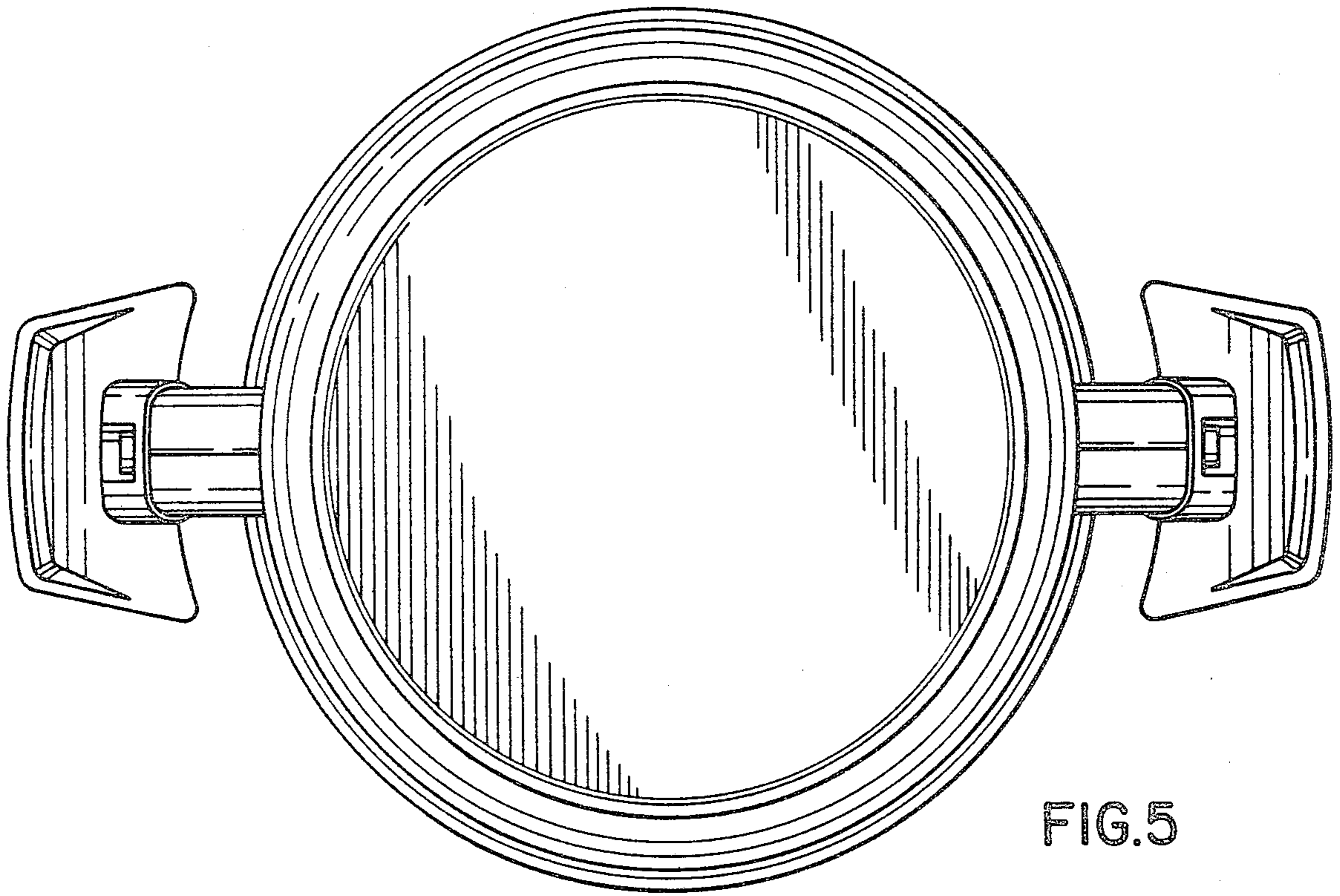


FIG. 5

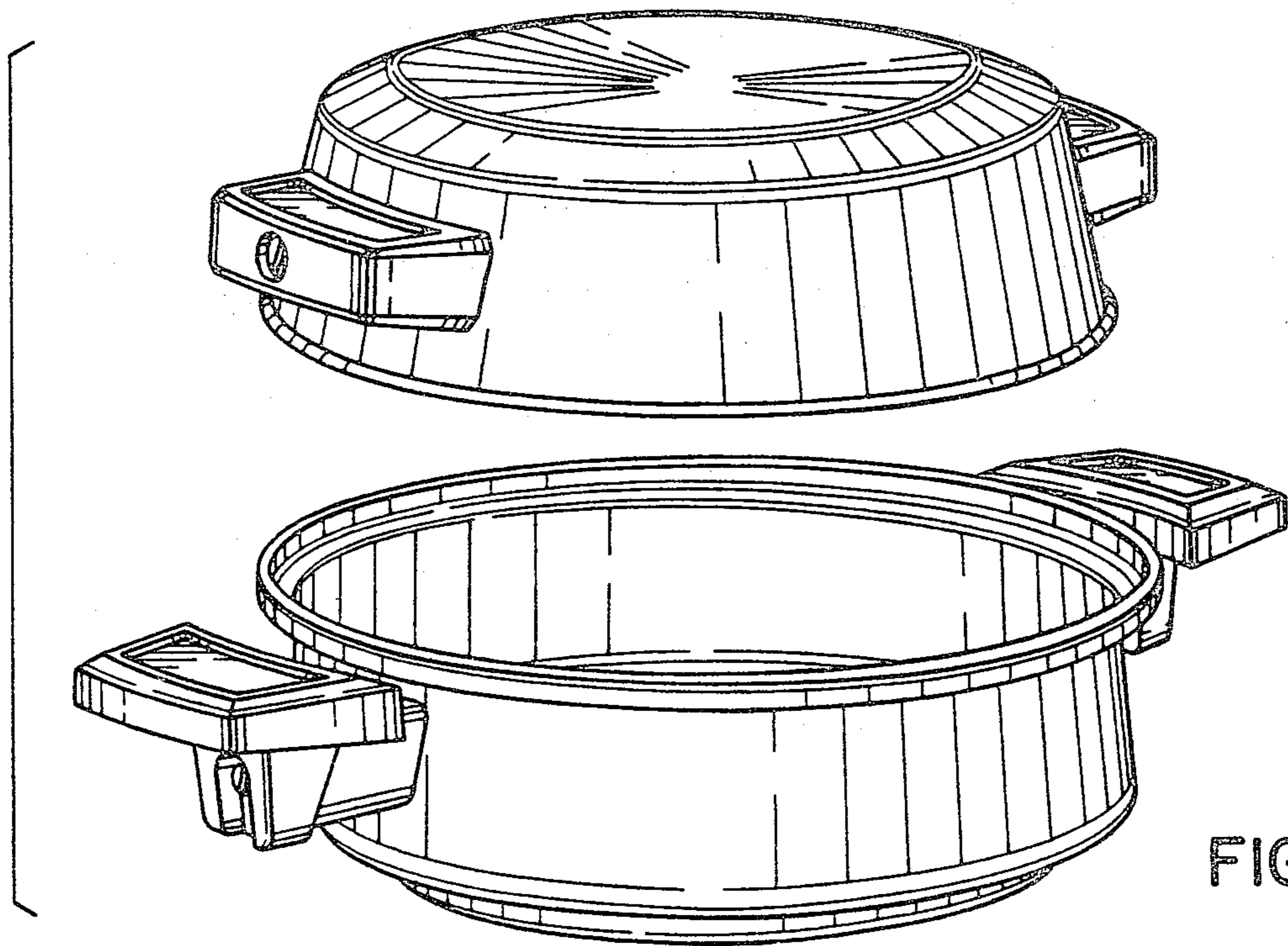


FIG. 6

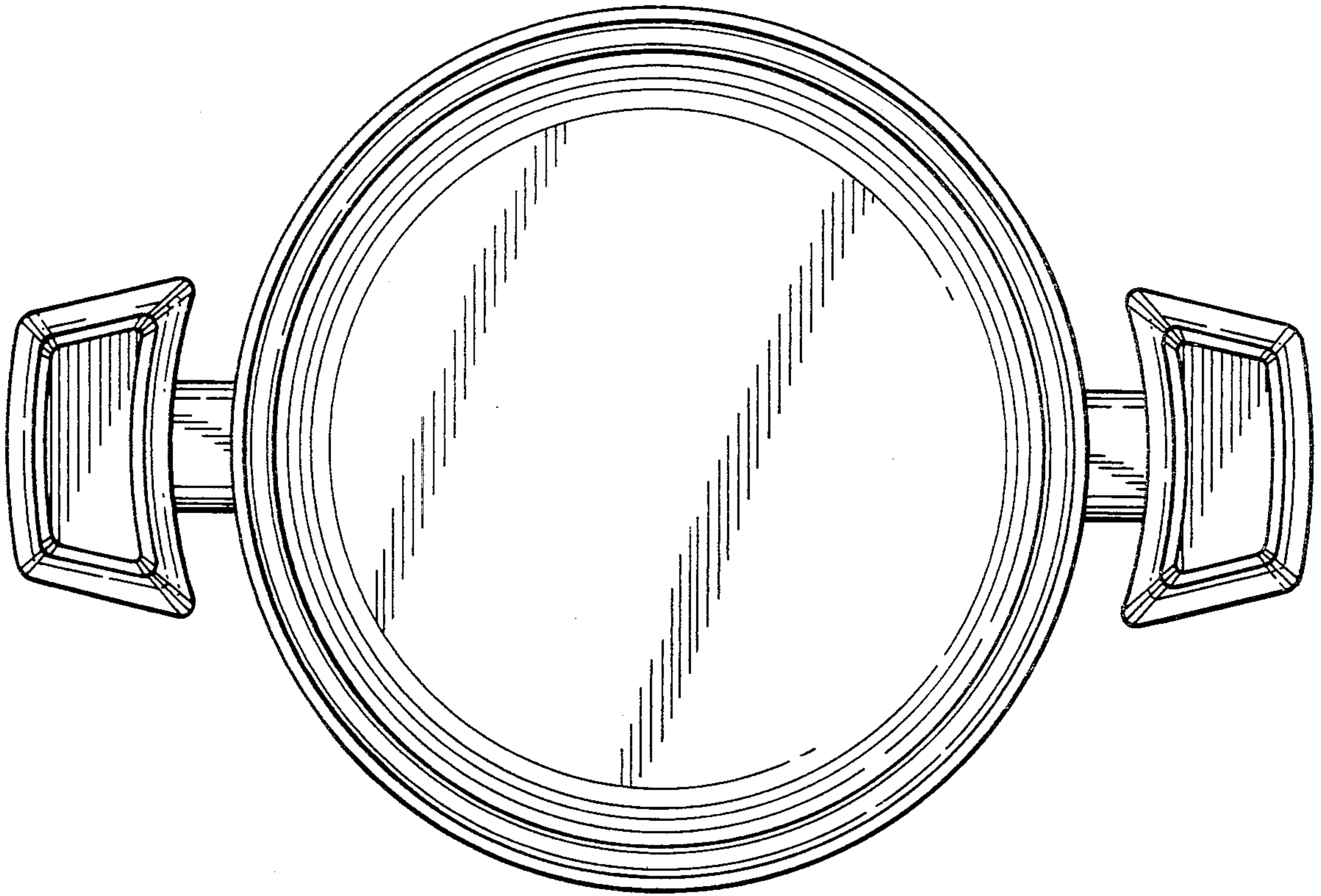


FIG. 7

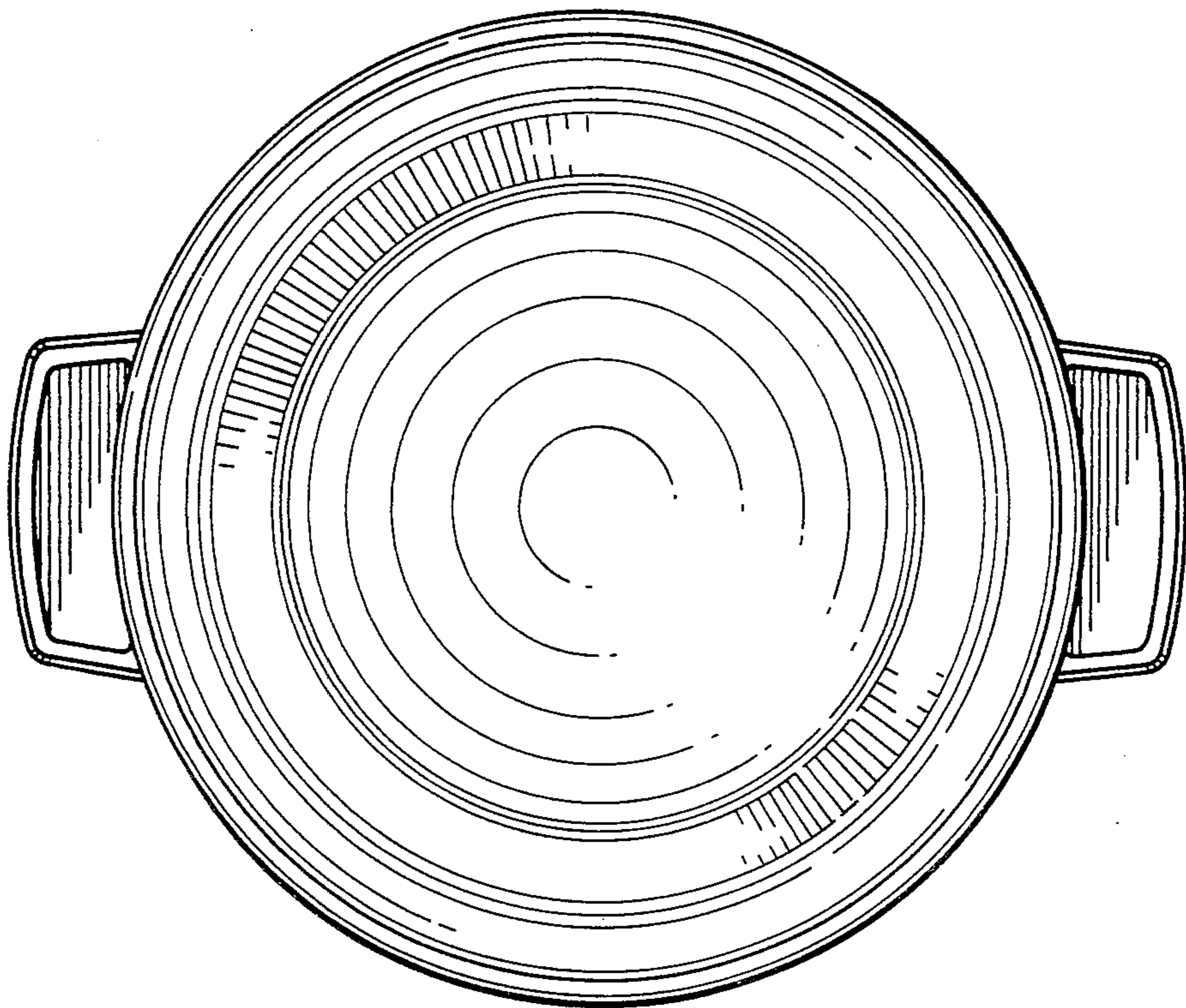


FIG. 8