

[54] CONTAINER OR THE LIKE

[75] Inventor: Martin J. Wolff, North Providence, R.I.

[73] Assignee: Dart Industries Inc., Northbrook, Ill.

[**] Term: 14 Years

[21] Appl. No.: 462,825

[22] Filed: Feb. 1, 1983

[52] U.S. Cl. D7/79

[58] Field of Search D7/79, 76, 16; D9/425; 150/55; 220/4 B, 306, 352, 356

[56] References Cited

U.S. PATENT DOCUMENTS

D. 175,202	7/1955	Tupper	D44/1
D. 216,214	12/1969	Daenen	D44/5
D. 220,448	4/1971	Swett	D44/1
D. 232,065	7/1974	Daenen	D7/16
D. 234,568	3/1975	Swett	D7/16
D. 235,406	6/1975	Daenen	D7/76
D. 238,137	12/1975	Swett	D7/79
D. 238,148	12/1975	Dilot	D9/425 X
D. 241,599	9/1976	Croyle	D7/76
D. 246,289	11/1977	Boucher	D9/240
D. 246,560	12/1977	Beauchamp et al.	D7/16 X
D. 266,049	9/1982	Conti	D7/76

D. 267,395	12/1982	Groenewold et al.	D9/425
D. 270,418	9/1983	Conti	D7/76
2,695,645	11/1954	Tupper	150/55
2,984,382	5/1961	Florsheim Jr.	150/55 X
3,426,935	2/1969	Swett	150/55 X
3,863,833	2/1975	Swett	229/43

OTHER PUBLICATIONS

Better Homes & Gardens, 8-74, p. 94, Item A, Green Tupperware Container.

Primary Examiner—Bernard Ansher

Assistant Examiner—Linda Titolo

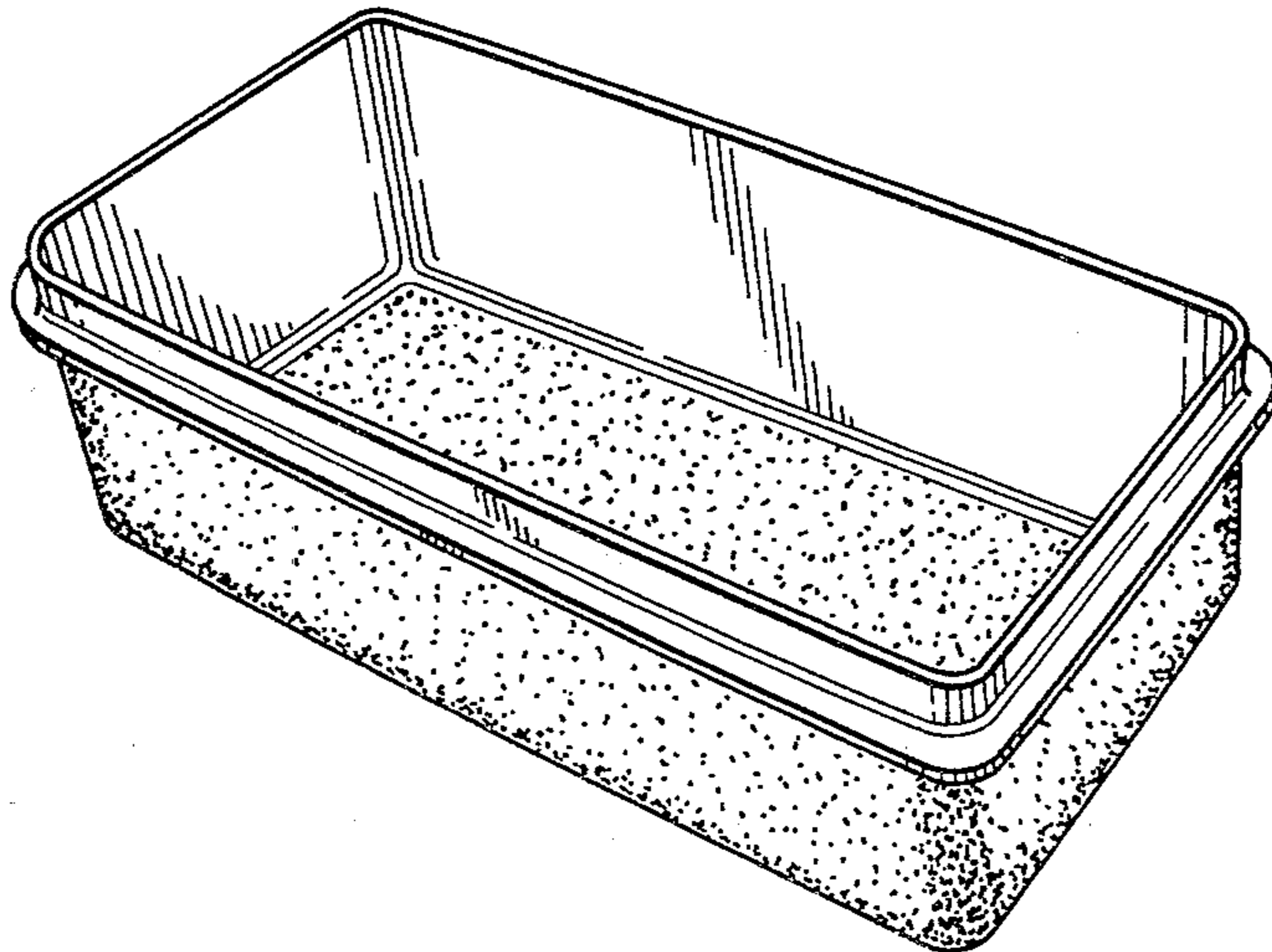
Attorney, Agent, or Firm—John A. Doninger

[57] CLAIM

The ornamental design for a container or the like, substantially as is shown.

DESCRIPTION

FIG. 1 is a top perspective view of the container or the like showing my new design;
FIG. 2 is a top plan view thereof;
FIG. 3 is a side elevational view thereof;
FIG. 4 is an end elevational view thereof;
FIG. 5 is a bottom plan view thereof; and
FIG. 6 is a cross-sectional view taken along line 6—6 of FIG. 5.



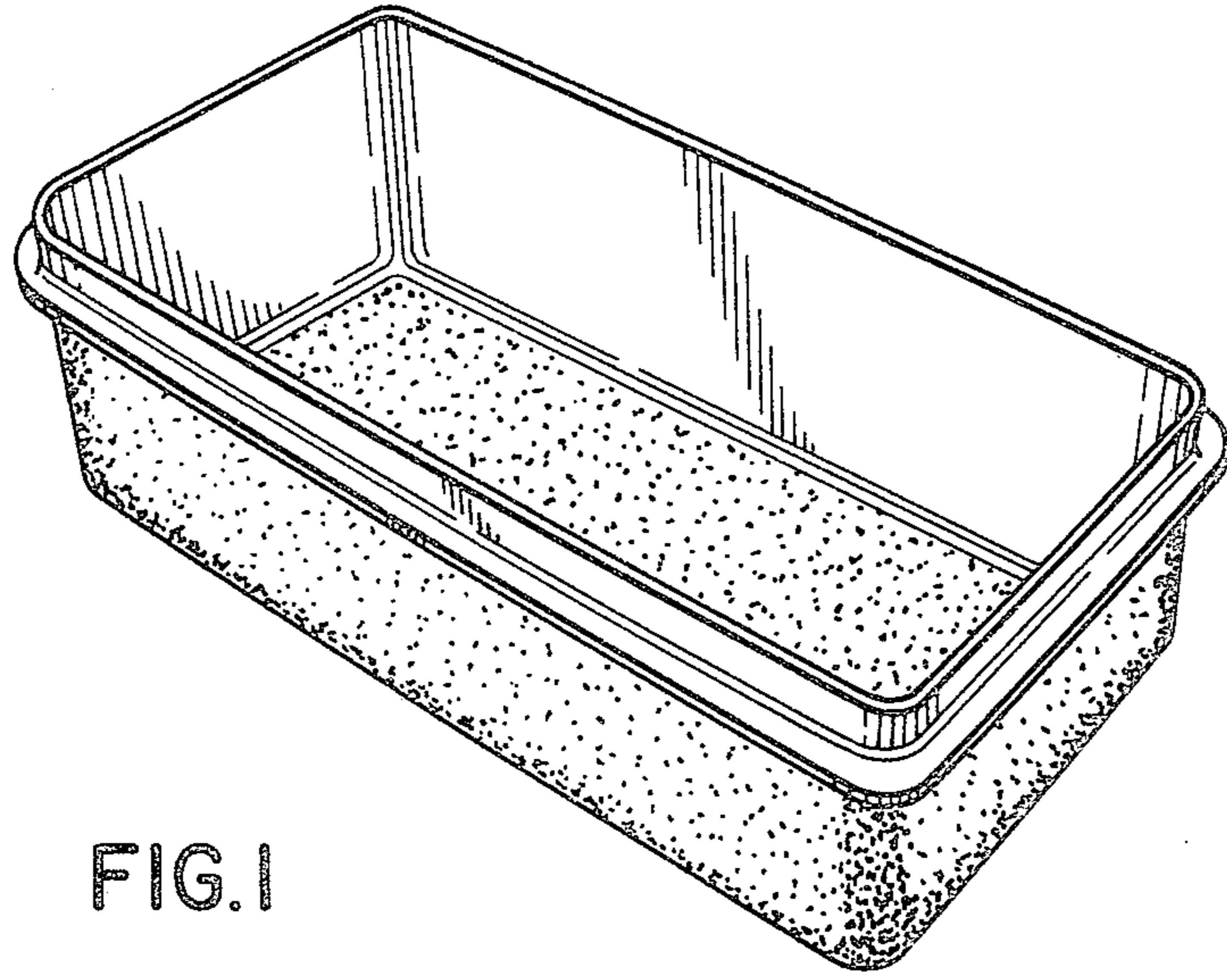


FIG. 1

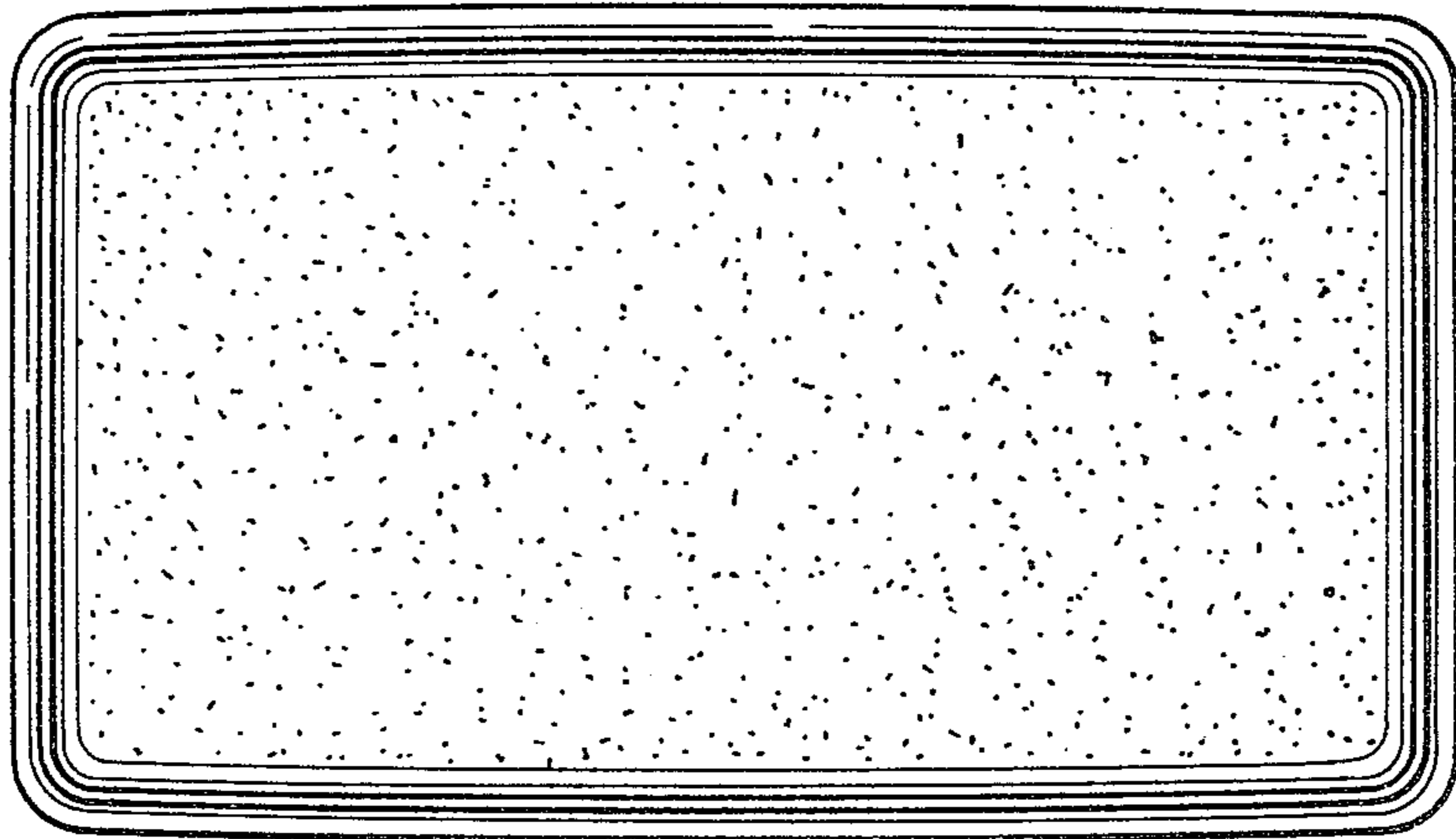


FIG. 2

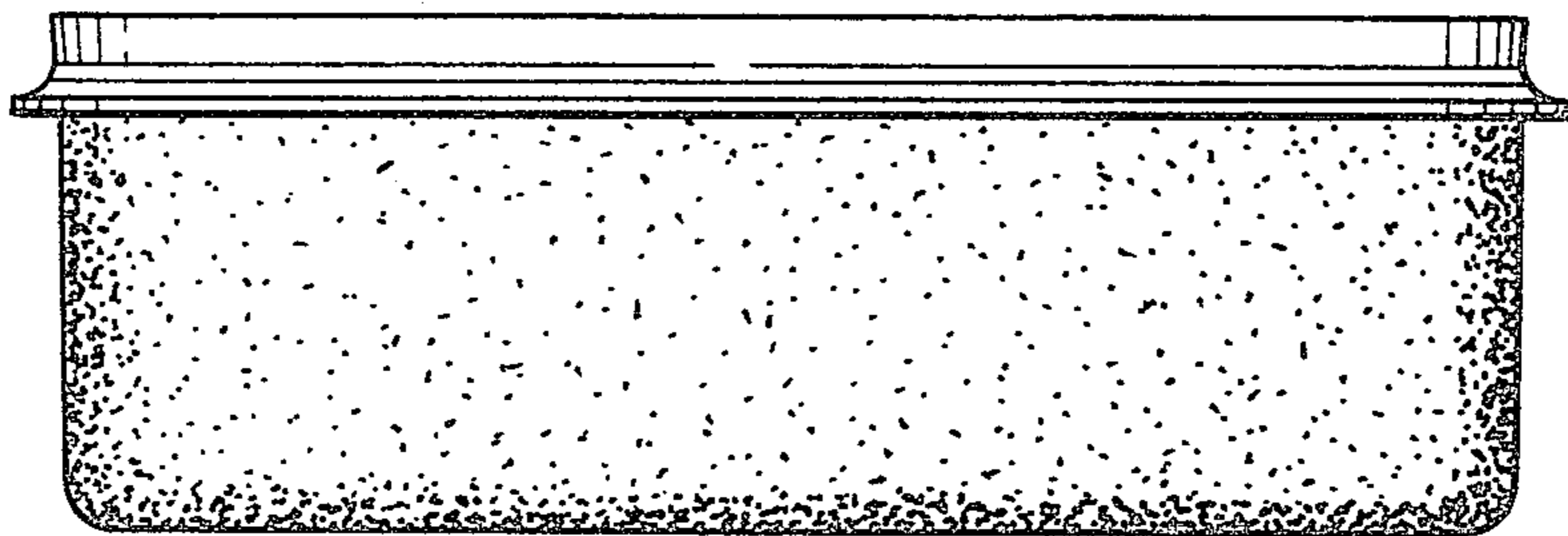


FIG. 3

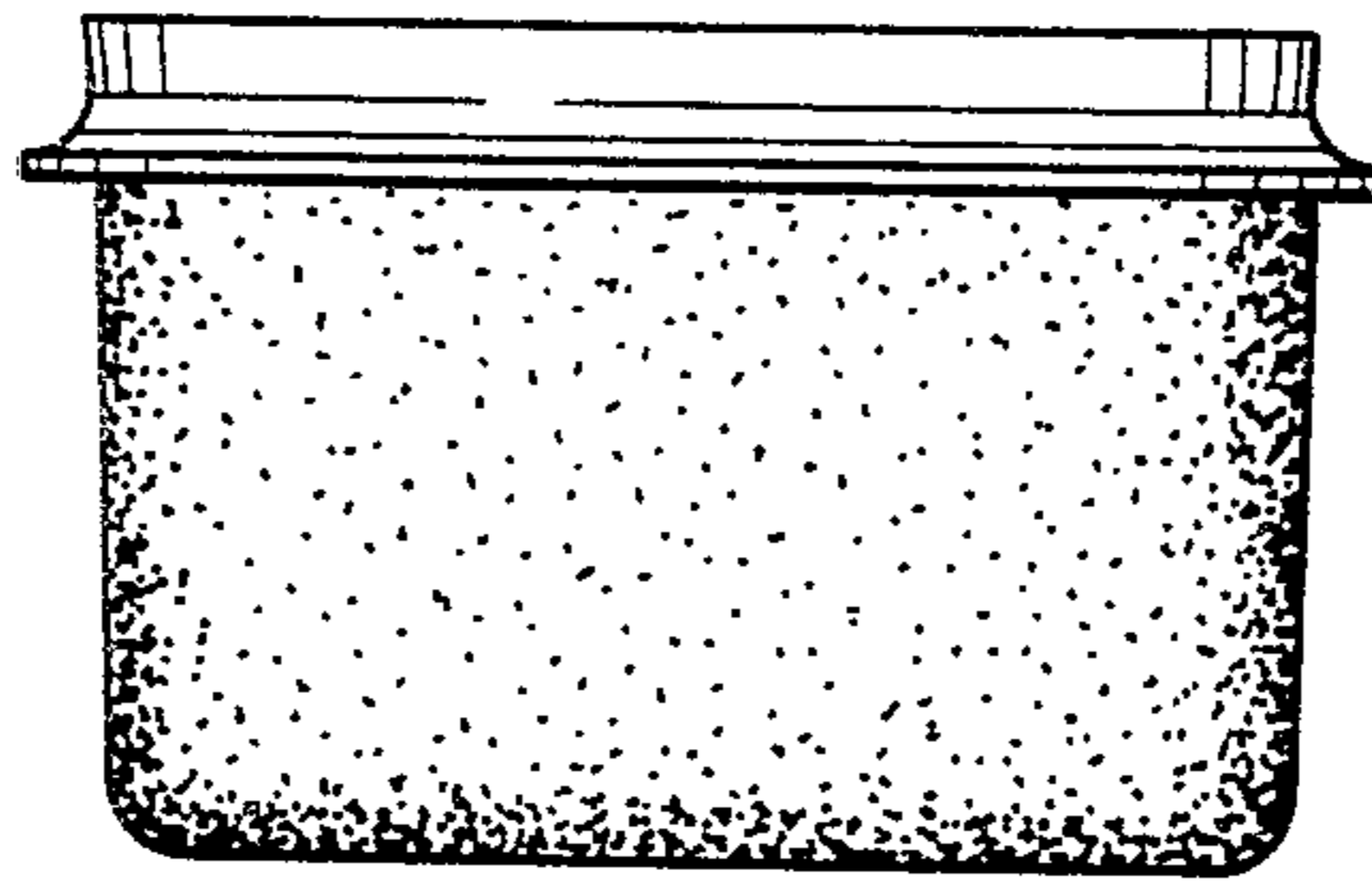


FIG. 4

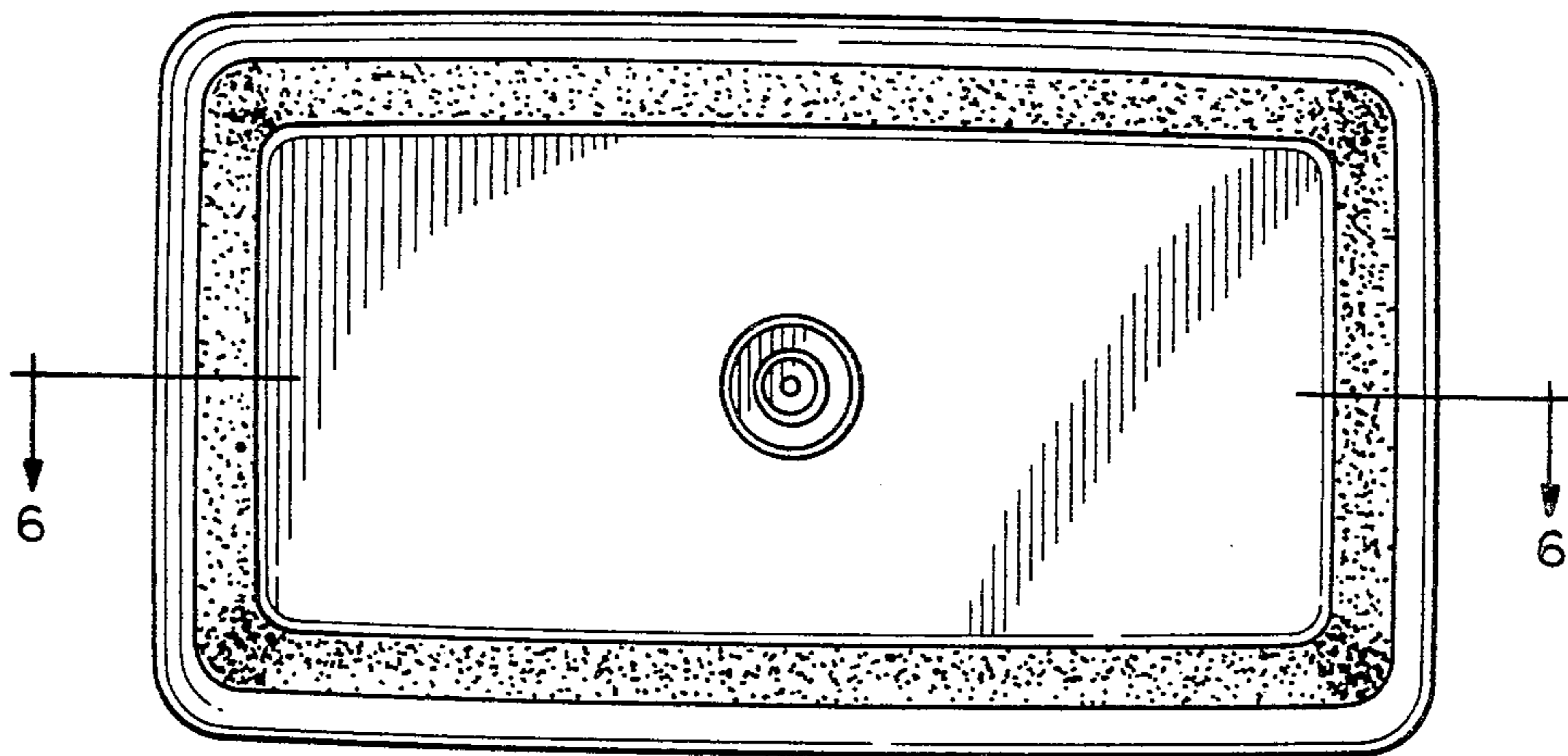


FIG. 5

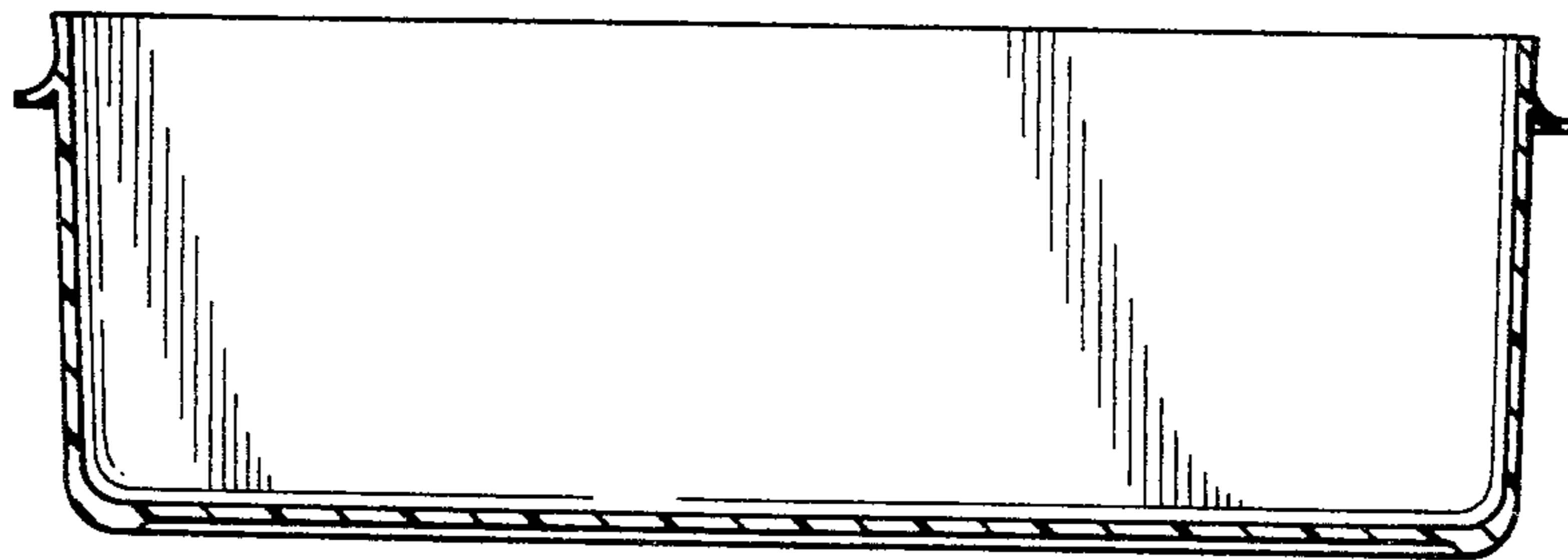


FIG. 6