

[54] SAUCER

2,210,283 8/1940 Cowan D7/23 X

[76] Inventor: Walter Everhan, Weisshausstrasse
34-38, D-5000 Kohn 41, Fed. Rep. of
Germany

OTHER PUBLICATIONS

*Jackson Vitrified China Co., Cat. #11, pp. 46, 47, Item
#386—Chinese Chop Suey Dish, center col.*

[**] Term: 14 Years

*Primary Examiner—Winifred E. Herrmann
Attorney, Agent, or Firm—George J. Brandt, Jr.*

[21] Appl. No.: 438,947

[57] CLAIM

[22] Filed: Nov. 3, 1982
(Under 37 CFR 1.47)

The ornamental design for a saucer, as shown, and
described.

[52] U.S. Cl. D7/30

[58] Field of Search D7/22-26,
D7/28-36, 3

DESCRIPTION

[56] References Cited

U.S. PATENT DOCUMENTS

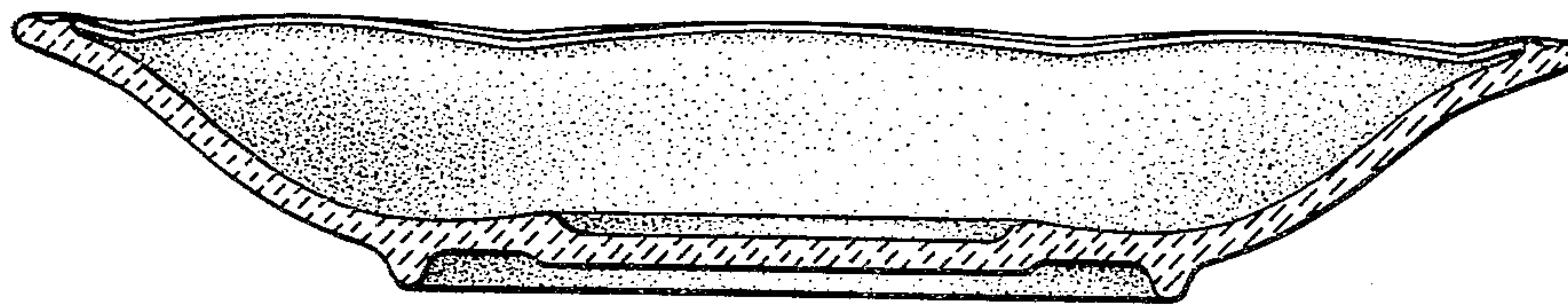
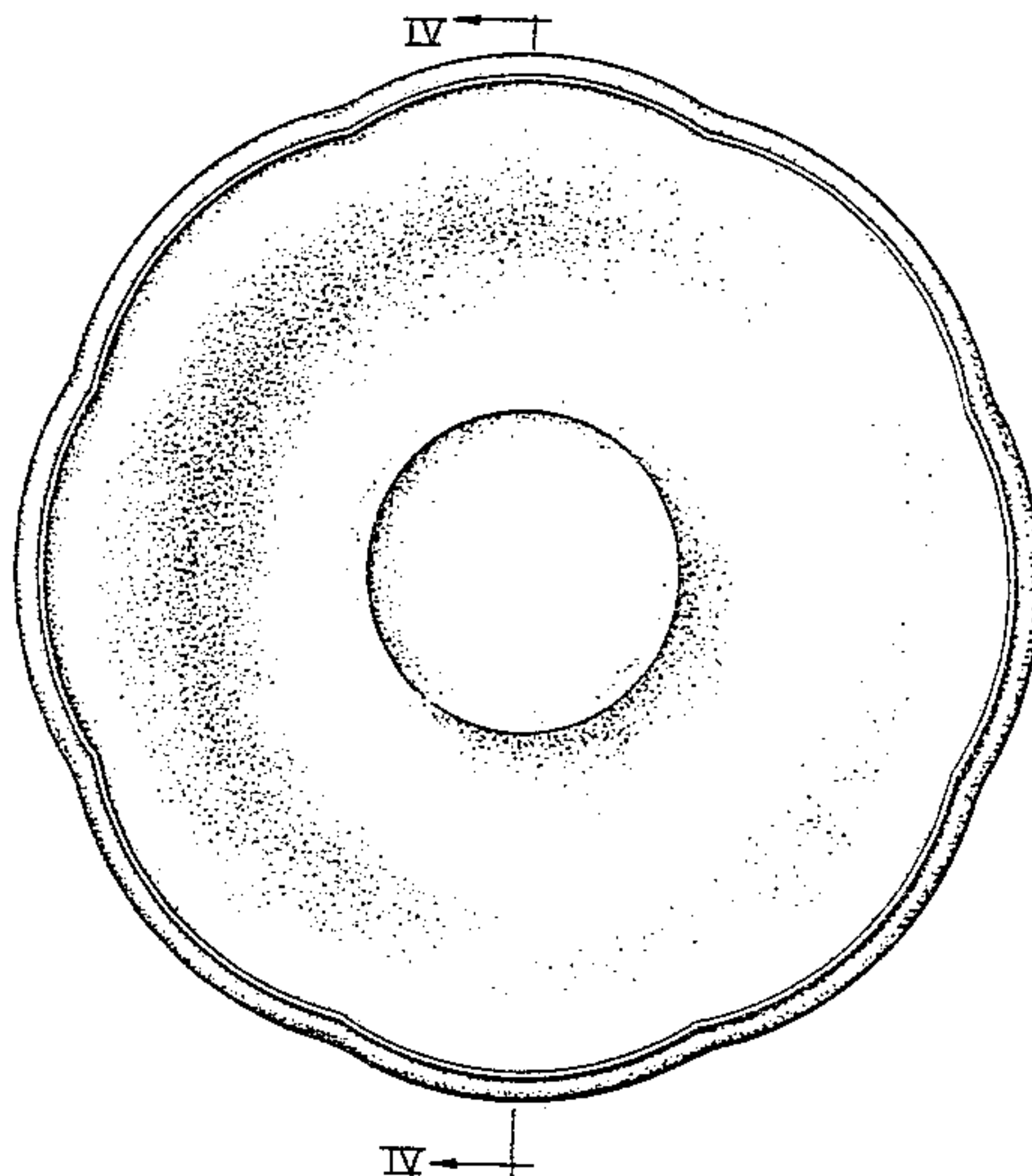
- D. 23,900 12/1894 Haviland D7/30
- D. 37,408 4/1905 Straus D7/33
- D. 126,975 5/1941 Darrow D7/23
- D. 134,565 12/1942 Tujague D7/24

FIG. 1 is a top plan view of a saucer showing my new
design;

FIG. 2 is a side elevational view thereof, the opposite
side and the adjacent end sides being substantially simi-
lar thereto;

FIG. 3 is a bottom plan view thereof; and

FIG. 4 is a sectional view as taken along the line
IV—IV in FIG. 1.



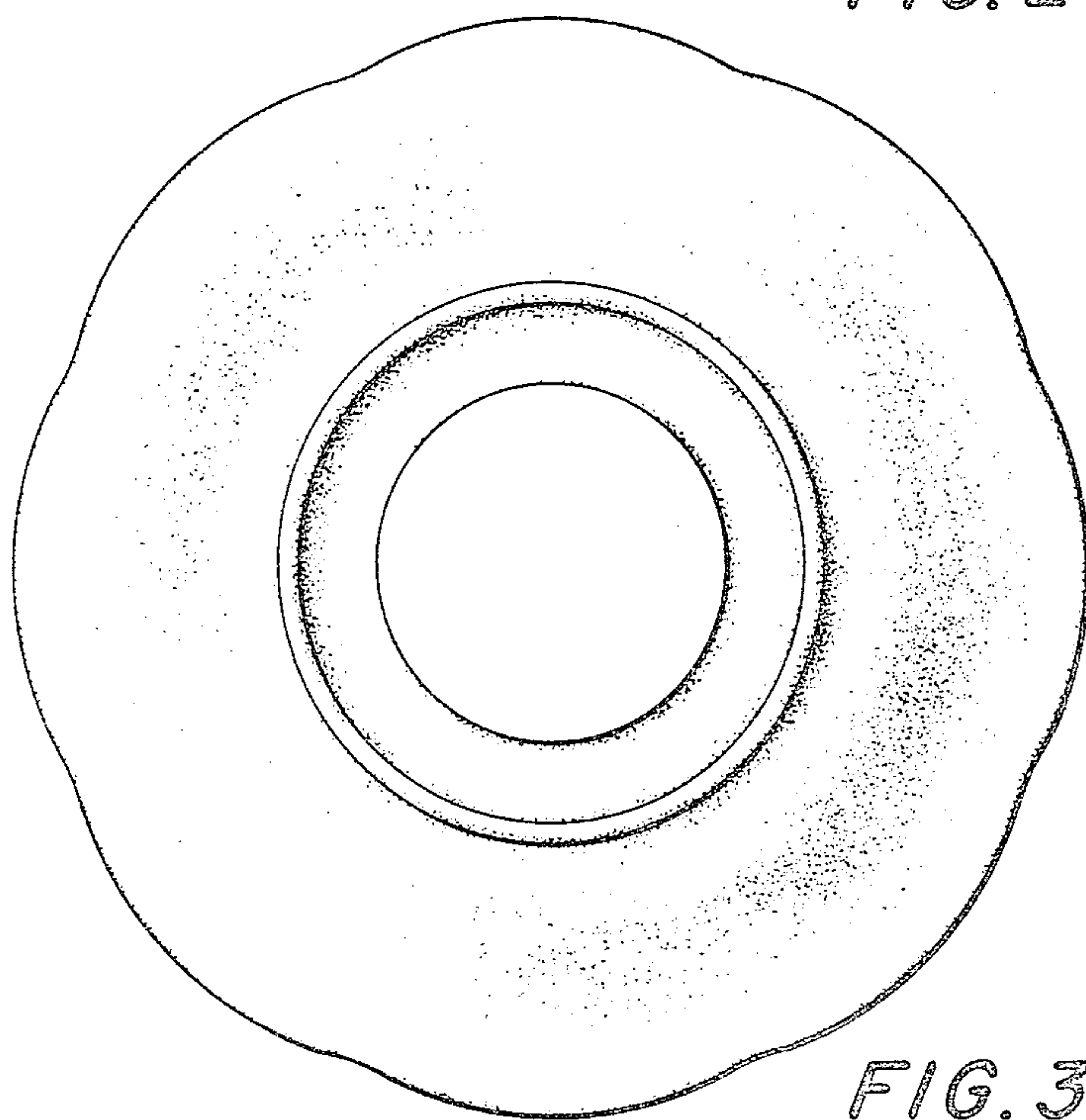
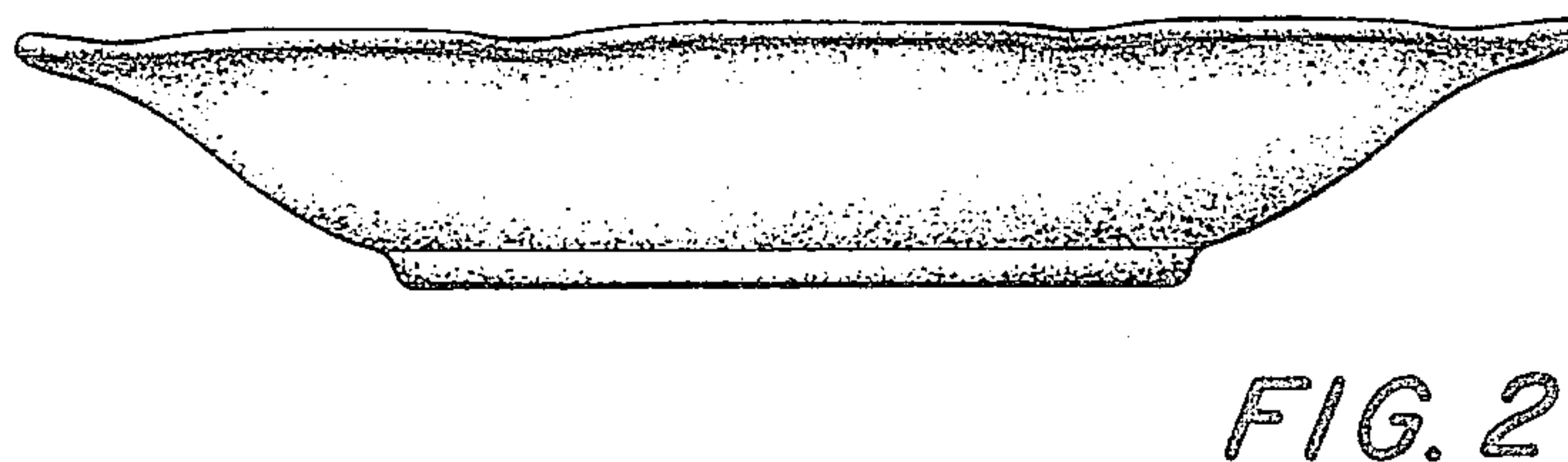
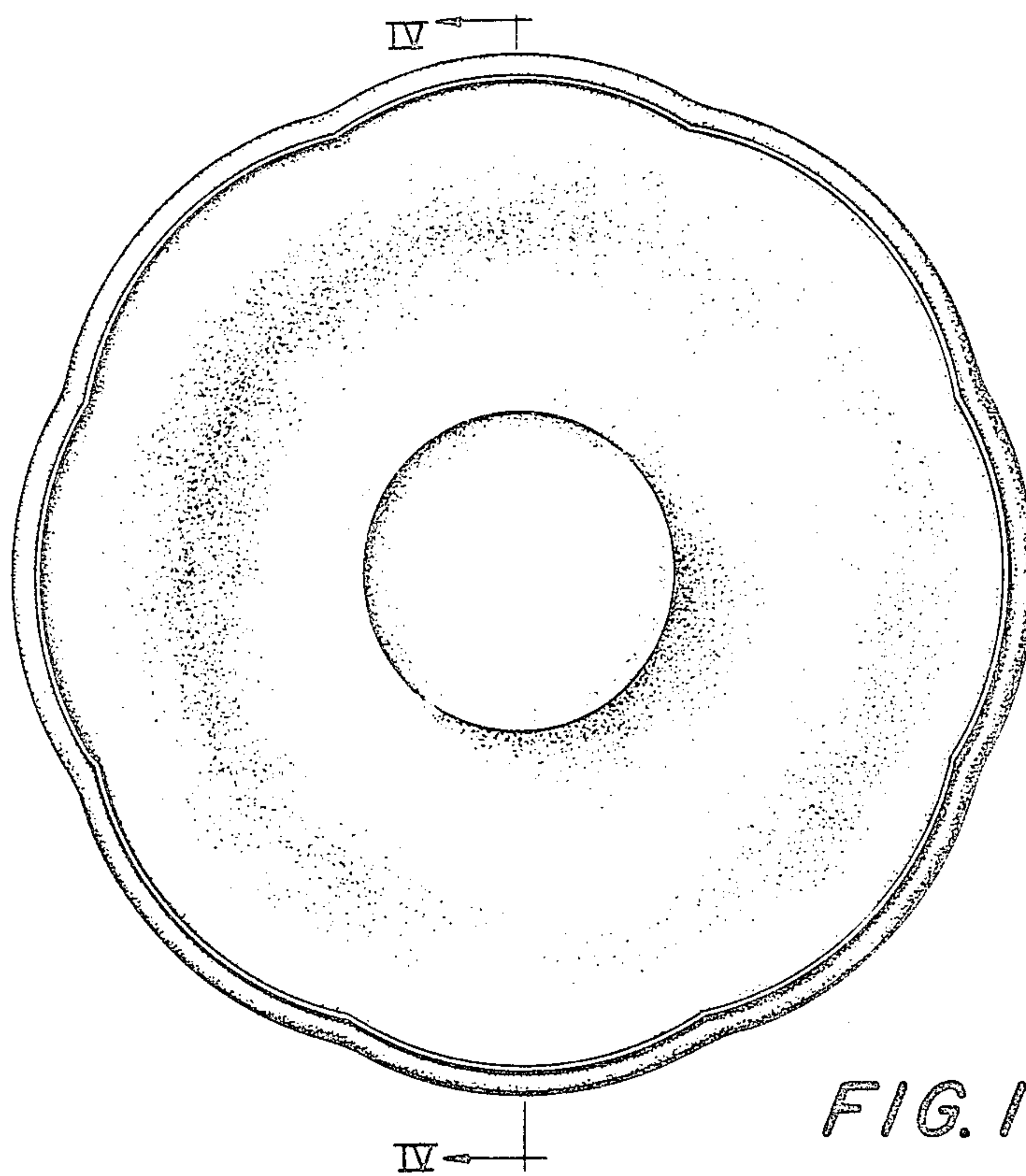




FIG. 4