

[54] **SHELF UNIT**

[75] **Inventor: Rudolf T. F. Plaut, Lisvane, Wales**

[73] **Assignee: Northmace Limited, Glamorgan, Wales**

[\*\*] **Term: 14 Years**

[21] **Appl. No.: 530,036**

[22] **Filed: Sep. 7, 1983**

[30] **Foreign Application Priority Data**

Mar. 19, 1983 [GB] United Kingdom ..... 1012065

[52] **U.S. Cl. .... D6/567; D6/553**

[58] **Field of Search .... D6/300, 308, 314, 310, D6/419, 420, 429-431, 444, 446, 448, 450, 451, 470, 509, 510-512, 523-524, 528, 531, 535, 546, 549, 552, 553, 555, 559, 561, 562-574; D8/373; 108/25, 26.2, 29, 30, 42, 59, 137, 138, 144, 151, 152; 211/26, 60.1, 70.1, 70.6, 70.8, 72-73, 75, 87-90, 126, 134, 135, 153; 312/224-226, 245**

[56]

**References Cited**

**U.S. PATENT DOCUMENTS**

D. 130,579 12/1941 Dreyfuss ..... D6/536  
D. 174,598 4/1955 Russell ..... D6/536  
D. 225,948 1/1973 Asenbauer ..... D6/532

**OTHER PUBLICATIONS**

Sweets Arch Catalog File, 1977, vol. 10, p. 3 of 10.16 ME, Skyway Shelf in lower left side.

*Primary Examiner*—B. J. Bullock

*Assistant Examiner*—Suzanne N. Gitlin

*Attorney, Agent, or Firm*—Young & Thompson

[57]

**CLAIM**

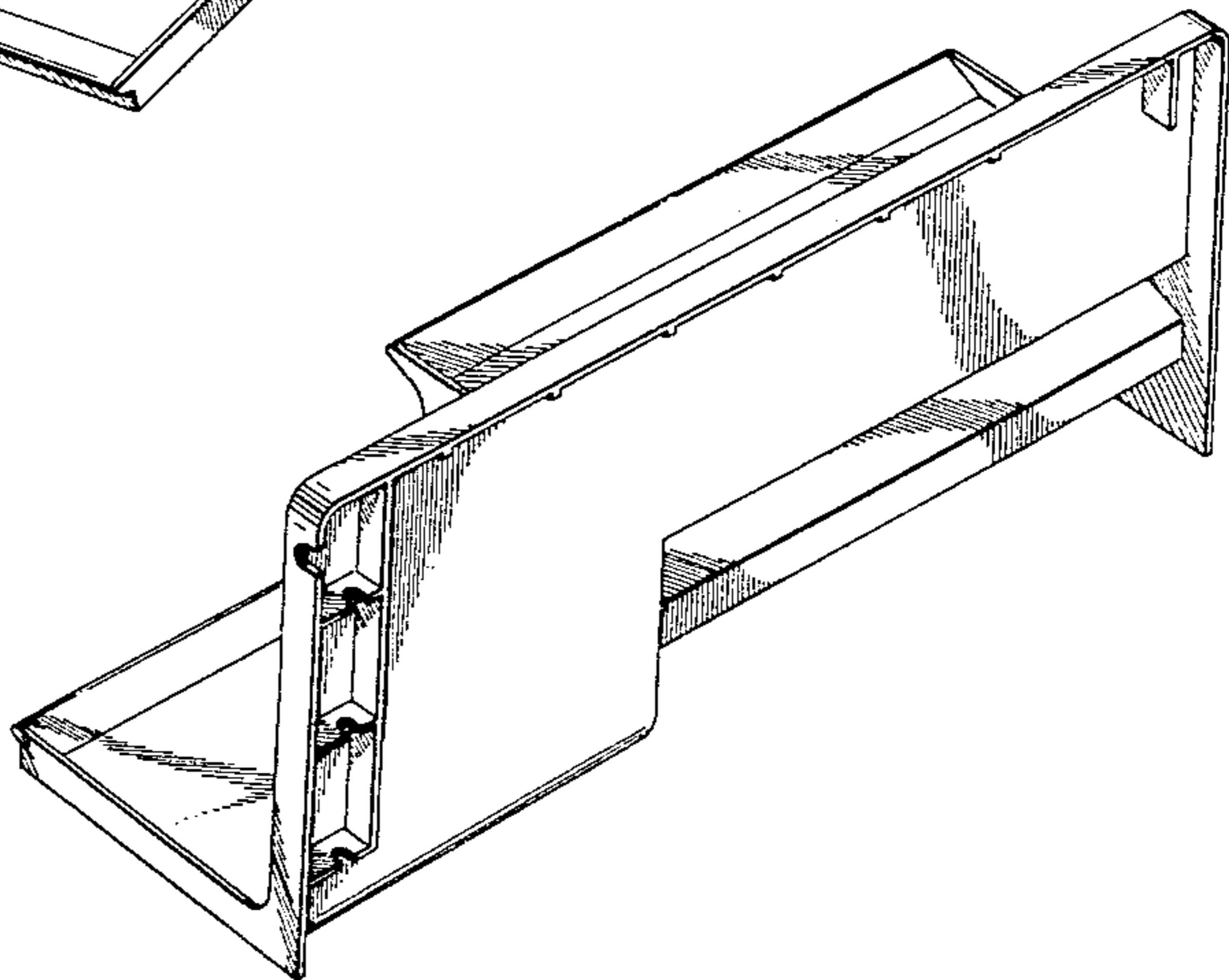
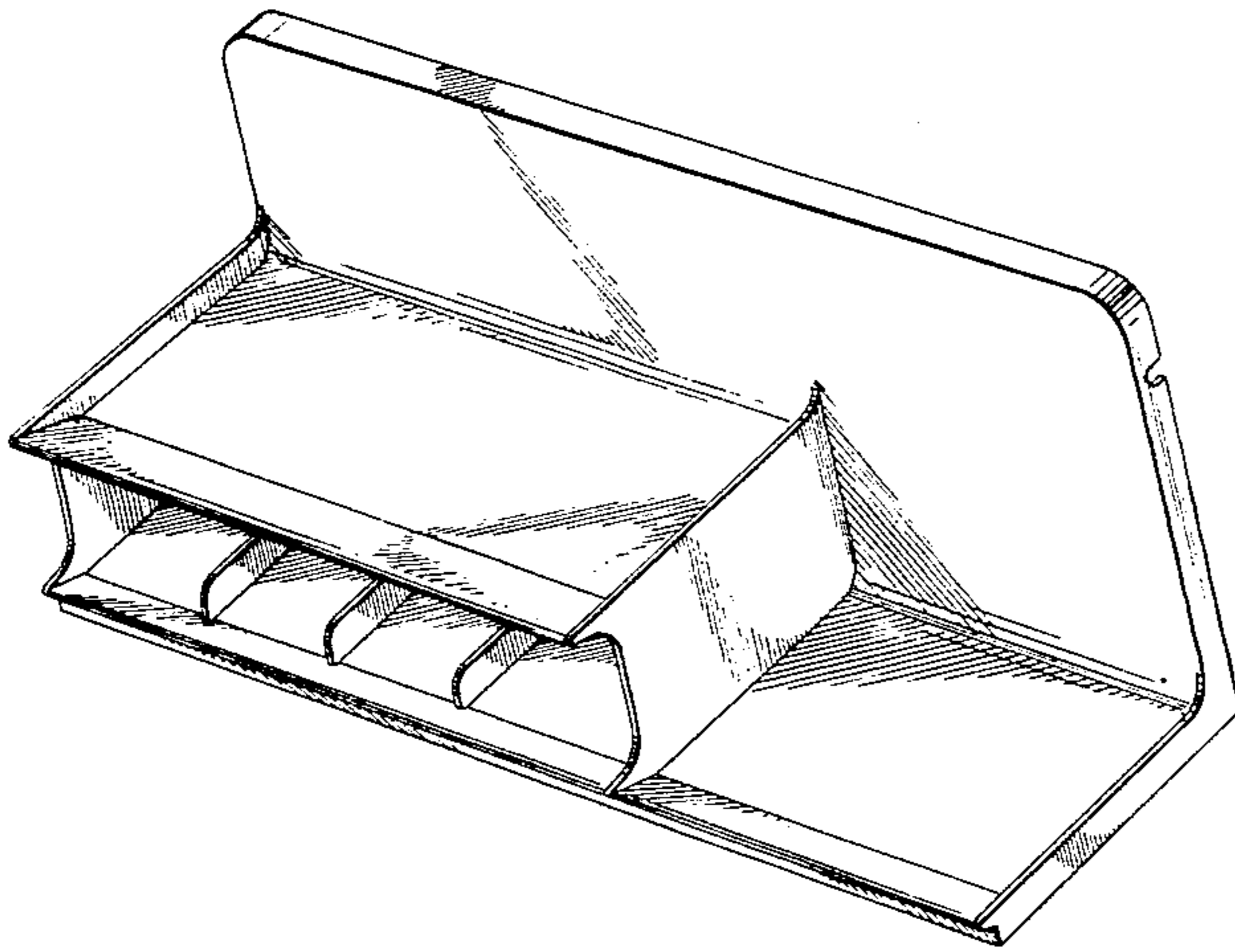
The ornamental design for a shelf unit, as shown.

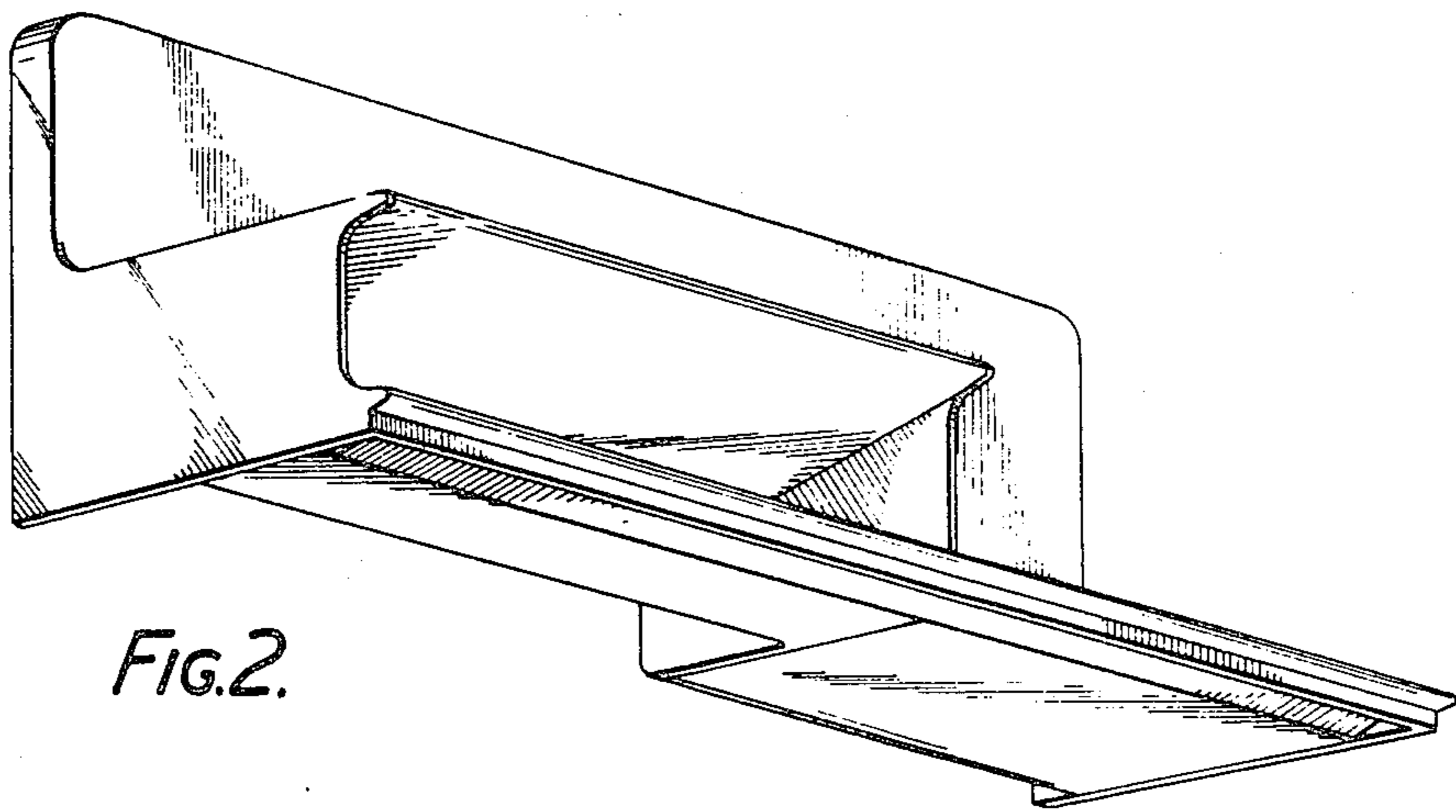
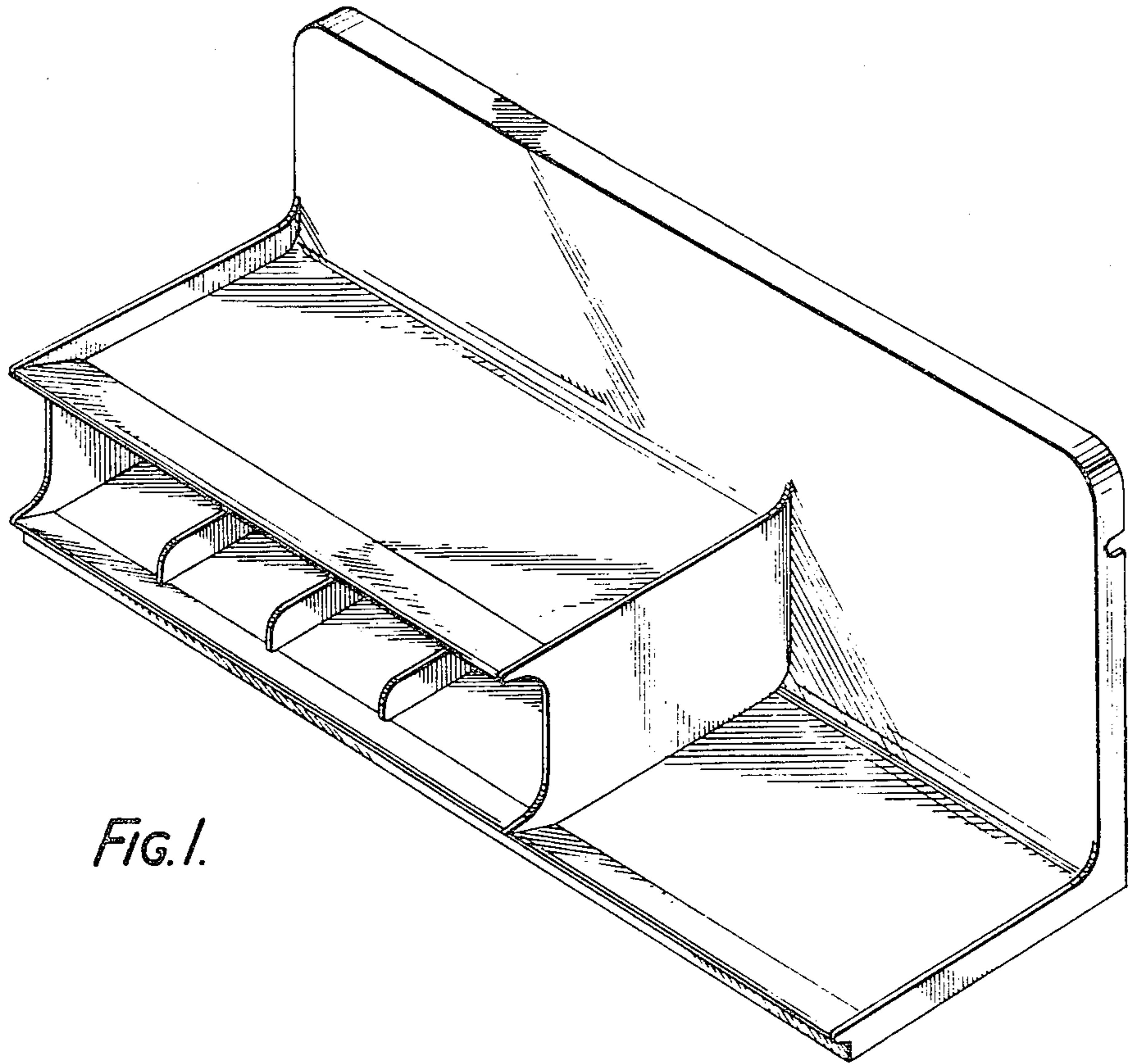
**DESCRIPTION**

FIG. 1 is a top perspective view of a shelf unit showing my new design;

FIG. 2 is a bottom perspective view thereof;

FIG. 3 is a rear perspective view thereof.





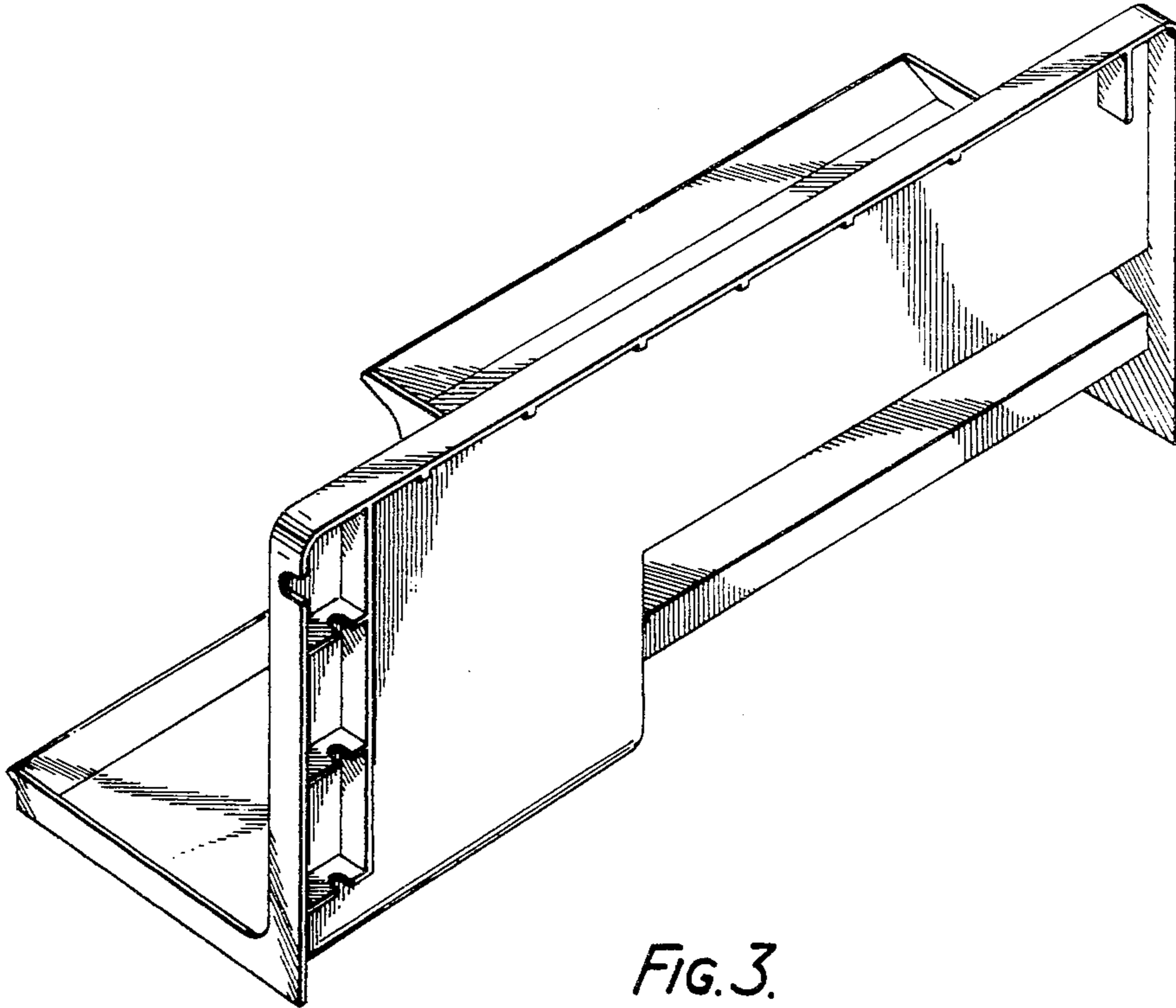


FIG. 3.