

[54] SHELF

[75] Inventors: William J. Campbell; Gerard Diaz, both of Valhalla, N.Y.

[73] Assignee: Technical Support Services, Inc., Valhalla, N.Y.

[\*\*] Term: 14 Years

[21] Appl. No.: 481,256

[22] Filed: Apr. 1, 1983

[52] U.S. Cl. .... D6/574; D6/567

[58] Field of Search ..... D6/300, 308, 314, 310, D6/419, 420, 429, 431, 444, 446, 448, 450, 470, 505-512, 523, 524, 531, 535, 546, 549, 552-553, 555, 559, 561-563, 566-574; 211/26, 60.1, 70.1, 70.6, 70.8, 72-73, 75, 87-90, 126, 134-135, 153; D8/373; 108/25, 26.2, 29, 30, 42, 59, 137, 138, 144, 151, 152; 312/224-226, 245

[56] References Cited

U.S. PATENT DOCUMENTS

D. 267,843	2/1983	Sundberg .....	D6/574
1,270,718	6/1918	Ford .....	211/90
2,770,513	11/1956	Brown .....	211/88
4,074,635	2/1978	Stauble .....	D6/574
4,155,312	5/1979	Thorkildsen .....	D6/574

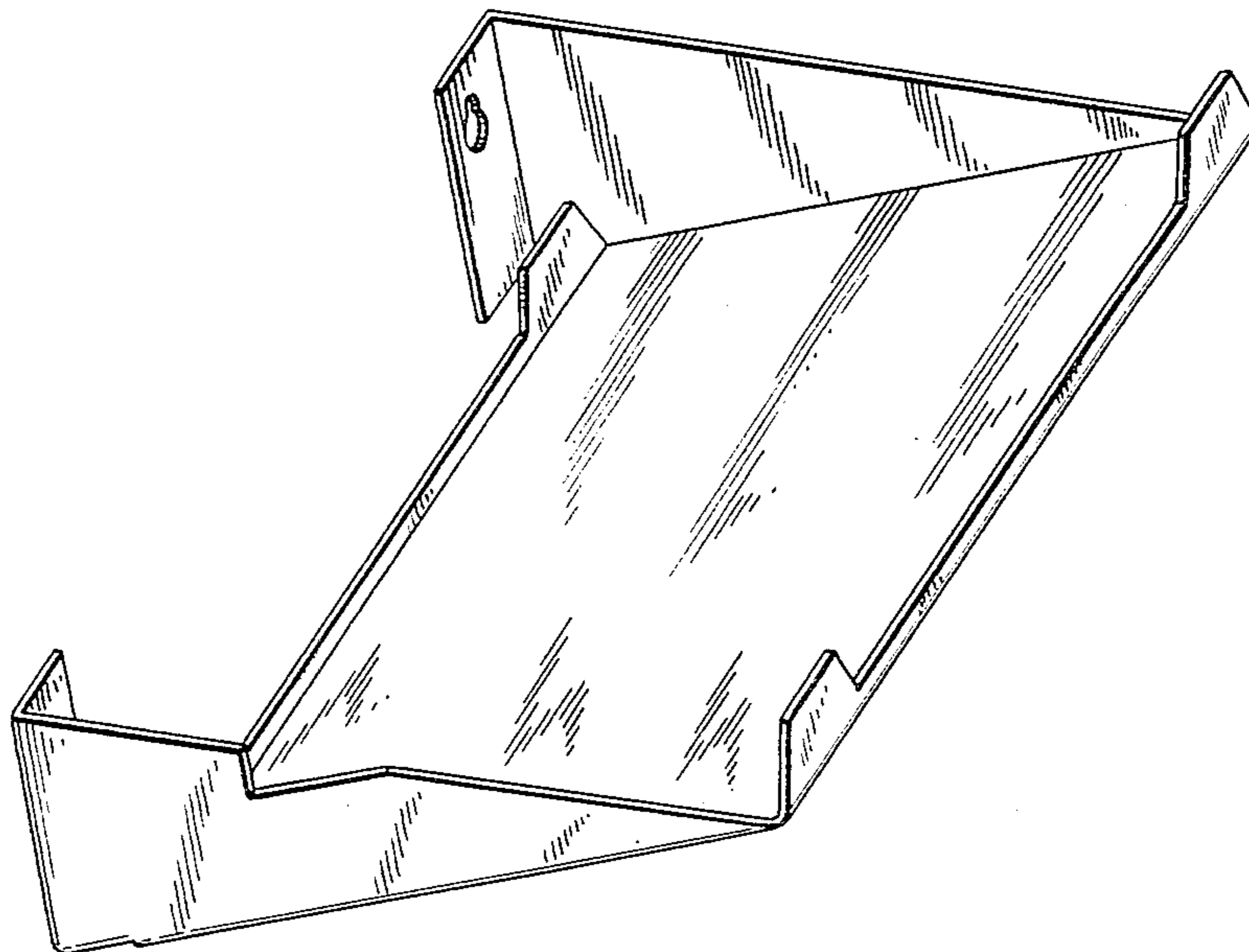
Primary Examiner—B. J. Bullock  
Assistant Examiner—Suzanne N. Gitlin  
Attorney, Agent, or Firm—Peter L. Berger

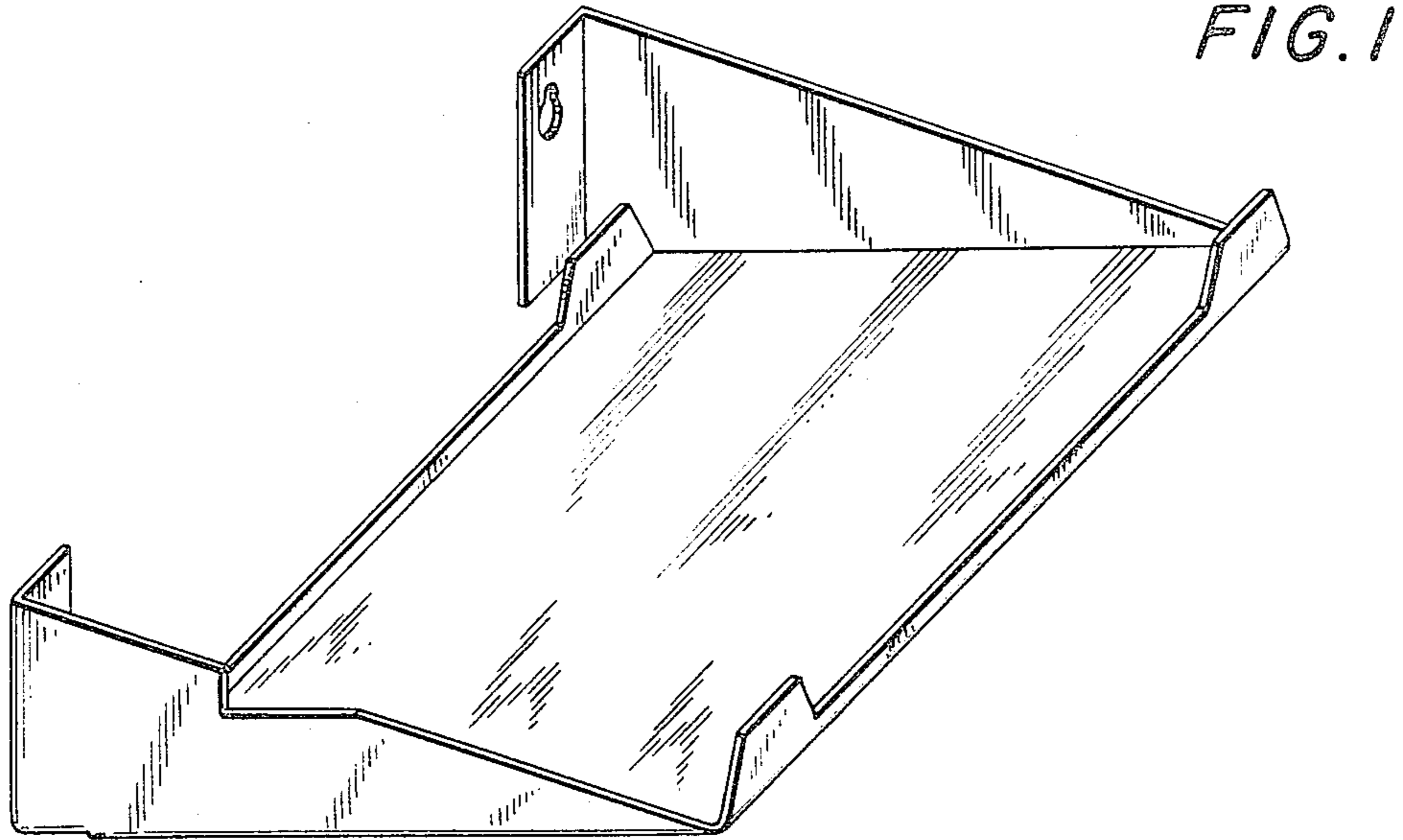
[57] CLAIM

The ornamental design for a shelf, as shown and described.

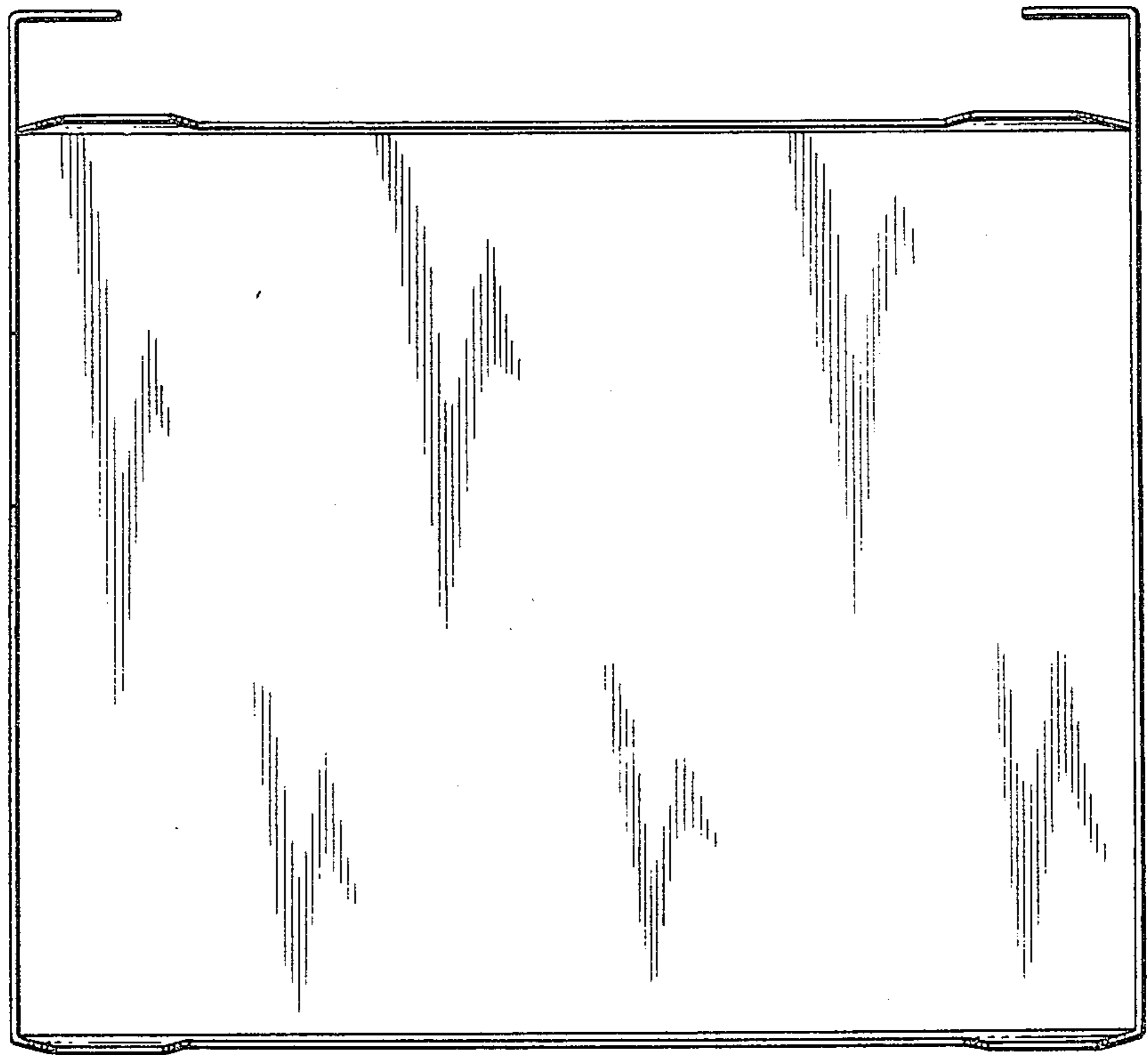
DESCRIPTION

FIG. 1 is a reduced perspective view of a shelf showing our new design;  
FIG. 2 is a top plan view thereof;  
FIG. 3 is a front elevational view thereof;  
FIG. 4 is a side elevational view thereof;  
FIG. 5 is a rear elevational view thereof;  
FIG. 6 is a bottom plan view thereof.





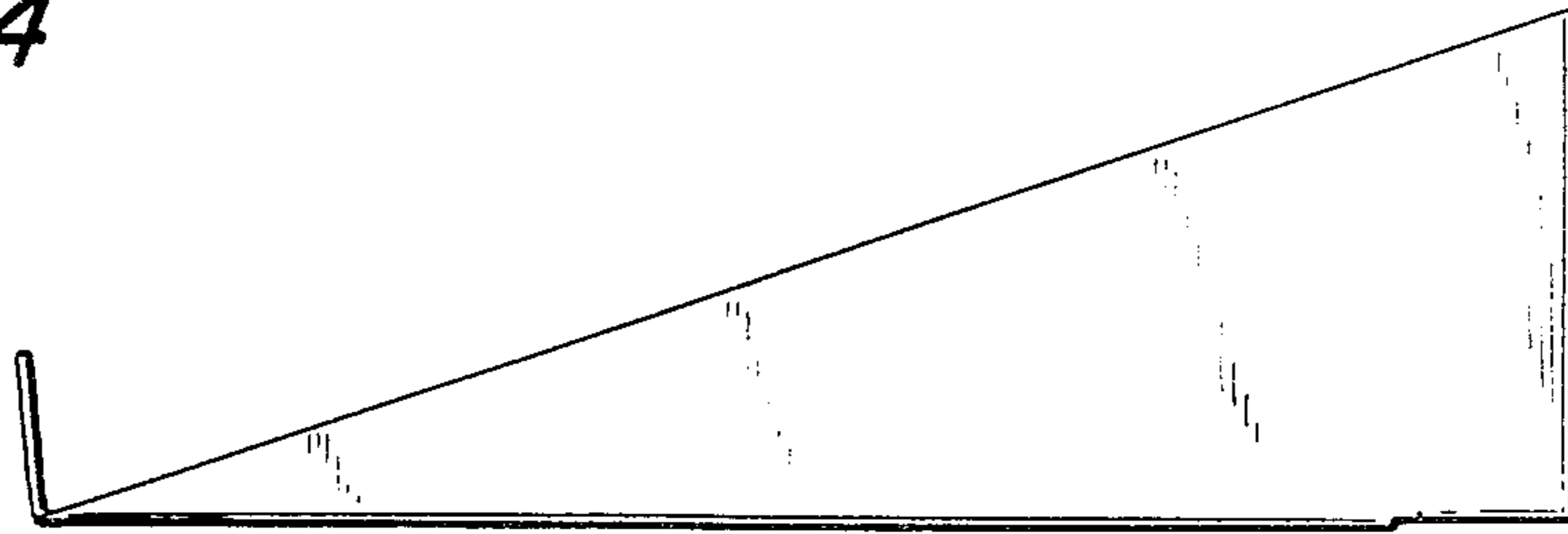
*FIG. 2*



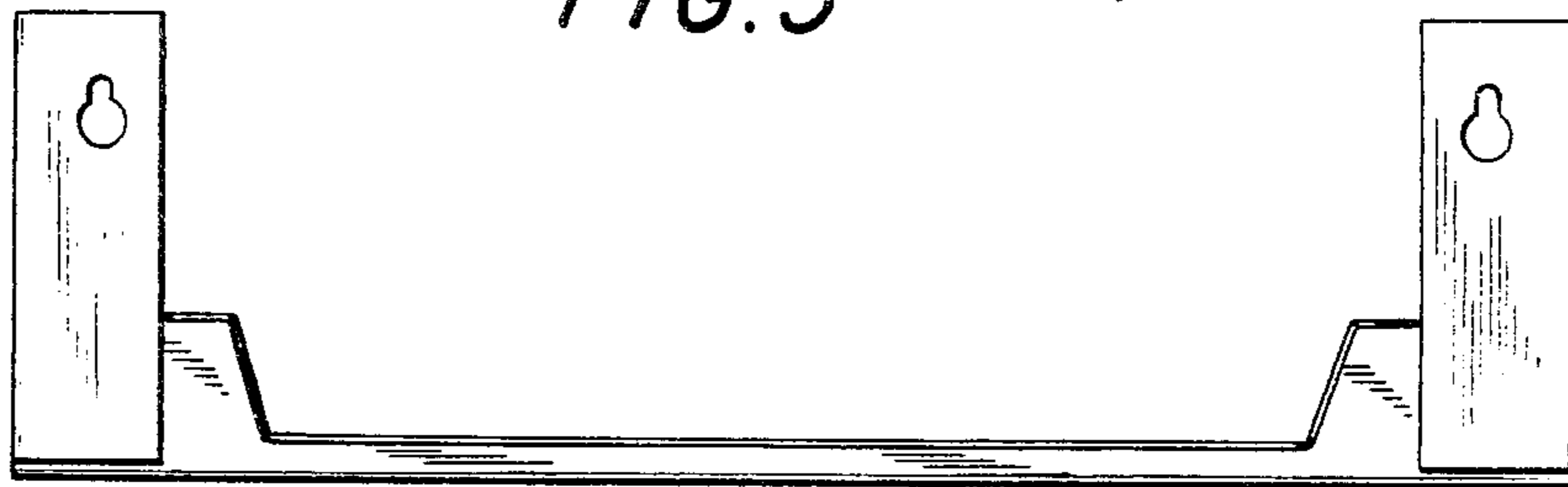
*FIG. 3*



*FIG. 4*



*FIG. 5*



*FIG. 6*

