

[54] **CURLING IRON**

[75] **Inventors: James M. Rittenhouse, Watchung;  
James B. Stewart, Randolph, both of  
N.J.**

[73] **Assignee: Conair Corporation, Edison, N.J.**

[\*\*] **Term: 14 Years**

[21] **Appl. No.: 511,639**

[22] **Filed: Jul. 7, 1983**

[52] **U.S. Cl. .... D28/35**

[58] **Field of Search ..... D28/9, 10, 15, 16, 25,  
D28/35, 99; 219/222, 225; 34/96-101; 132/9,  
37 R, 37 A**

[56] **References Cited**

**U.S. PATENT DOCUMENTS**

- D. 256,170 7/1980 Janssens ..... D28/35
- D. 270,670 9/1983 Goto et al. .... D28/35

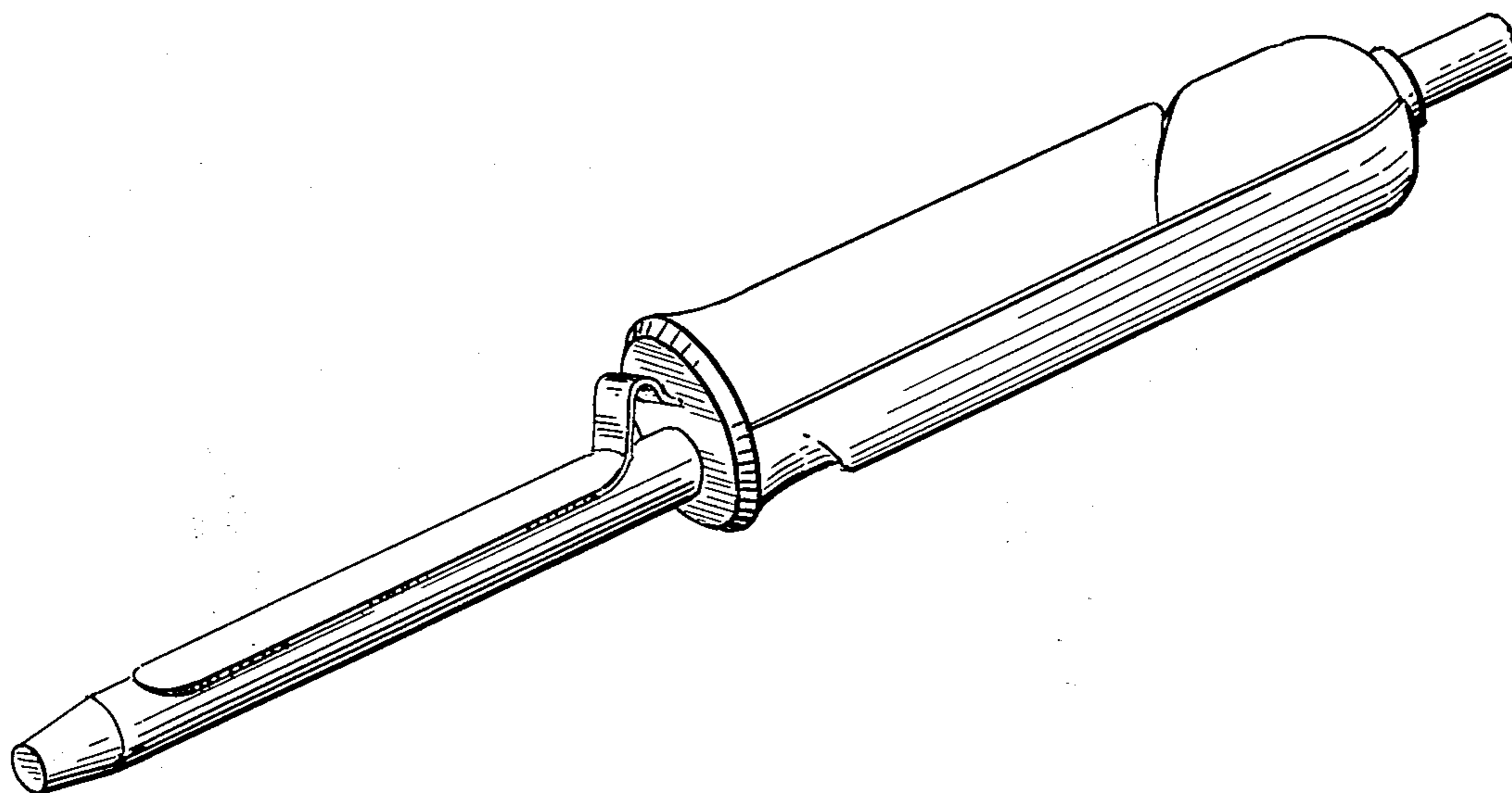
*Primary Examiner*—Louis S. Zarfes  
*Attorney, Agent, or Firm*—Haynes N. Johnson

[57] **CLAIM**

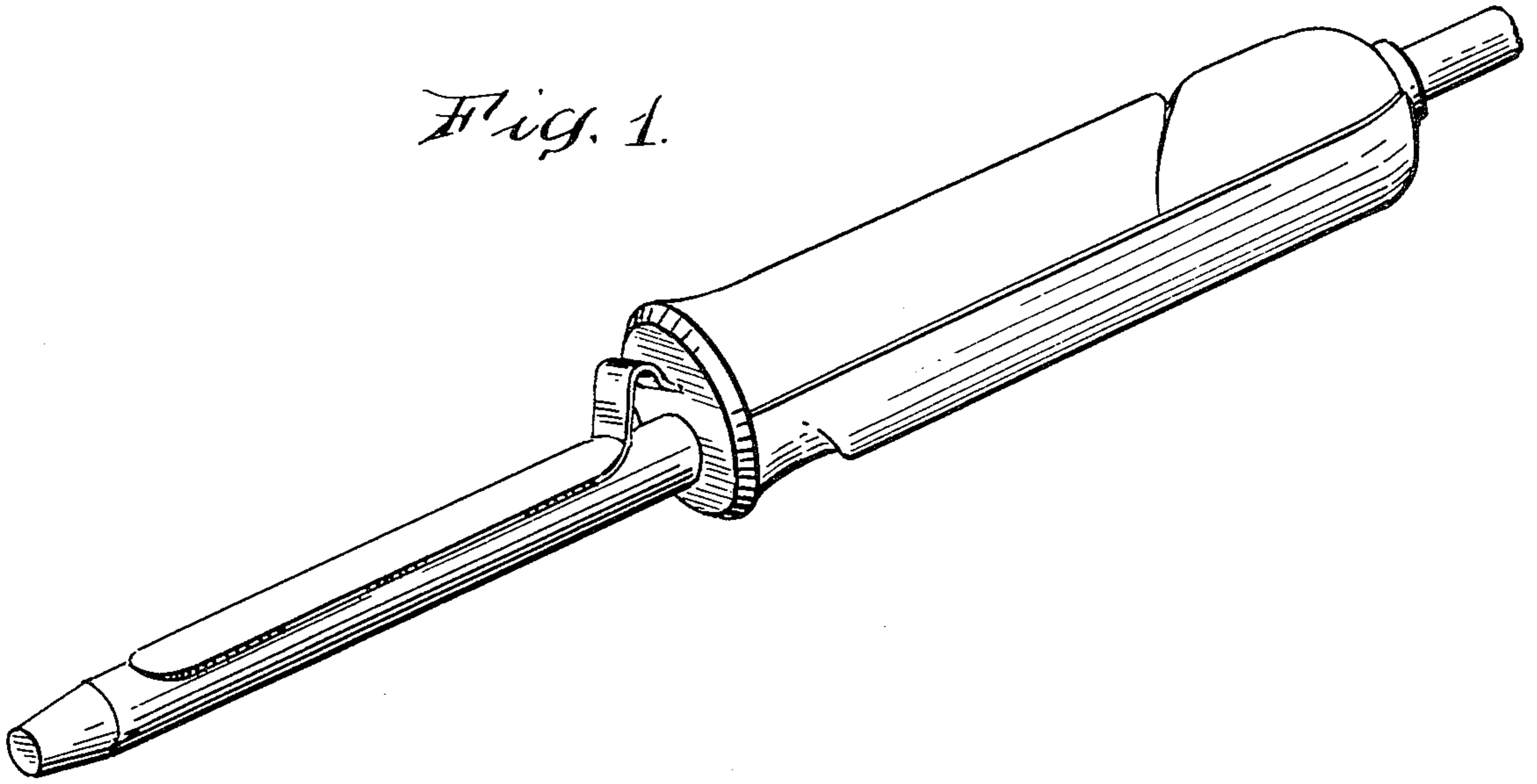
The ornamental design for a curling iron, substantially as shown and described.

**DESCRIPTION**

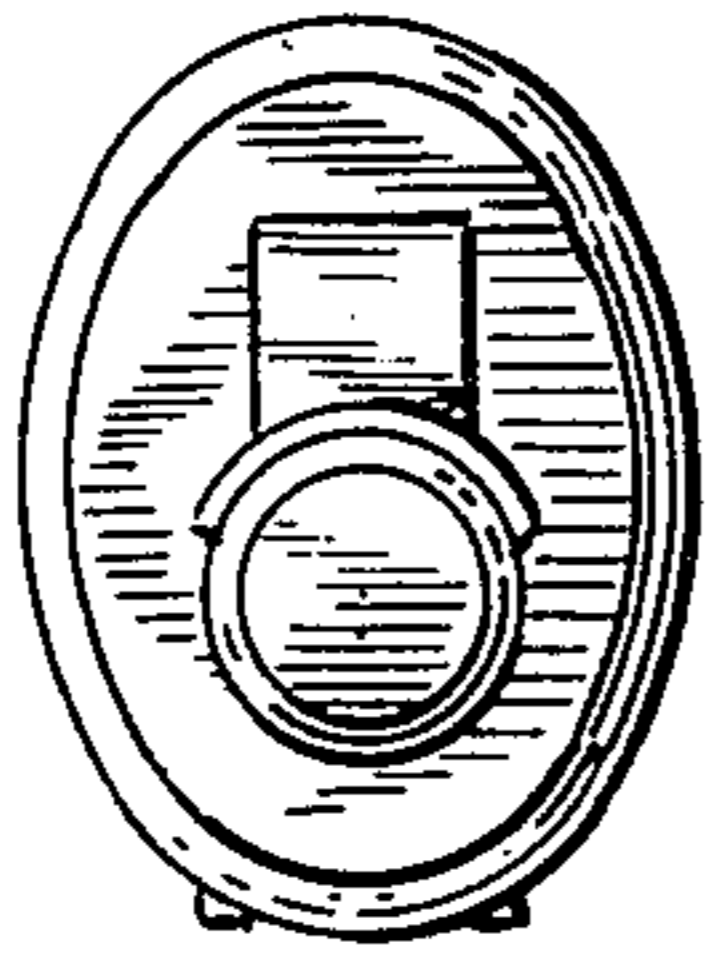
- FIG. 1 is a perspective view of a curling iron showing my new design;
- FIG. 2 is a front elevational view thereof;
- FIG. 3 is a rear elevational view thereof;
- FIG. 4 is a top plan view thereof;
- FIG. 5 is a left side elevational view; the right side is a mirror image thereof;
- FIG. 6 is a bottom plan view thereof.



*Fig. 1.*



*Fig. 2.*



*Fig. 3.*

