

[54] **HAIR BRUSH**

[75] Inventors: **James M. Rittenhouse**, Watchung;
James B. Stewart, Randolph, both of
N.J.

[73] Assignee: **Conair Corporation**, Edison, N.J.

[**] Term: **14 Years**

[21] Appl. No.: **511,769**

[22] Filed: **Jul. 7, 1983**

[52] U.S. Cl. **D28/29; D4/128;**
D28/35

[58] **Field of Search** **D28/9, 10, 12, 13, 15,**
D28/16-18, 21, 24-26, 28-30, 99; 219/222, 225;
34/96-101; 132/9, 11 R, 11 A, 107, 118, 126,
139, 142, 148, 150, 37 R, 37 A; D4/128

[56] **References Cited**

U.S. PATENT DOCUMENTS

4,163,143 7/1979 Federico et al. 132/37 R
4,329,567 5/1952 Kunz et al. 132/11 R

FOREIGN PATENT DOCUMENTS

4655 1/1978 Japan 219/225

OTHER PUBLICATIONS

HFD-Retailing Home Furnishings, 1/17/83, Section
Two, p. 14-Andis Brush at top right.

Primary Examiner—Louis S. Zarfes
Attorney, Agent, or Firm—Haynes N. Johnson

[57] **CLAIM**

The ornamental design for a hair brush, substantially as
shown and described.

DESCRIPTION

FIG. 1 is a perspective view of a hair brush showing my
new design, bristles being continuous over the span
indicated by dot-dash line and the conventional power
cord broken away for ease of illustration;
FIG. 2 is a front elevational view thereof;
FIG. 3 is a rear elevational view thereof;
FIG. 4 is a top plan view thereof;
FIG. 5 is a left side elevational view; the right side is a
mirror image thereof;
FIG. 6 is a bottom plan view thereof.

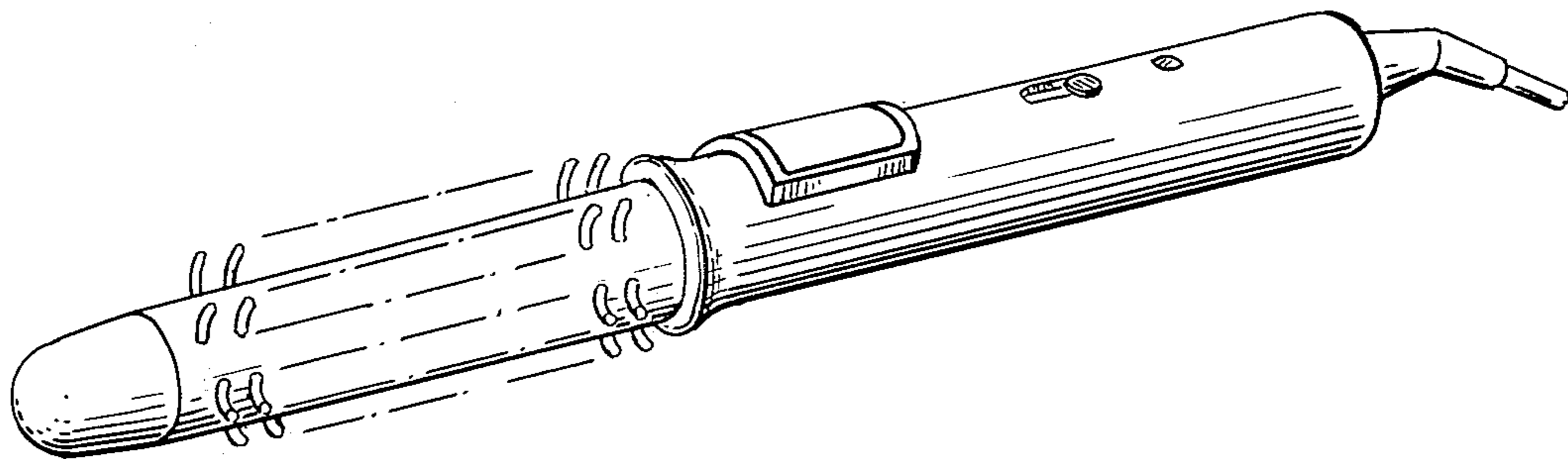


Fig. 1.

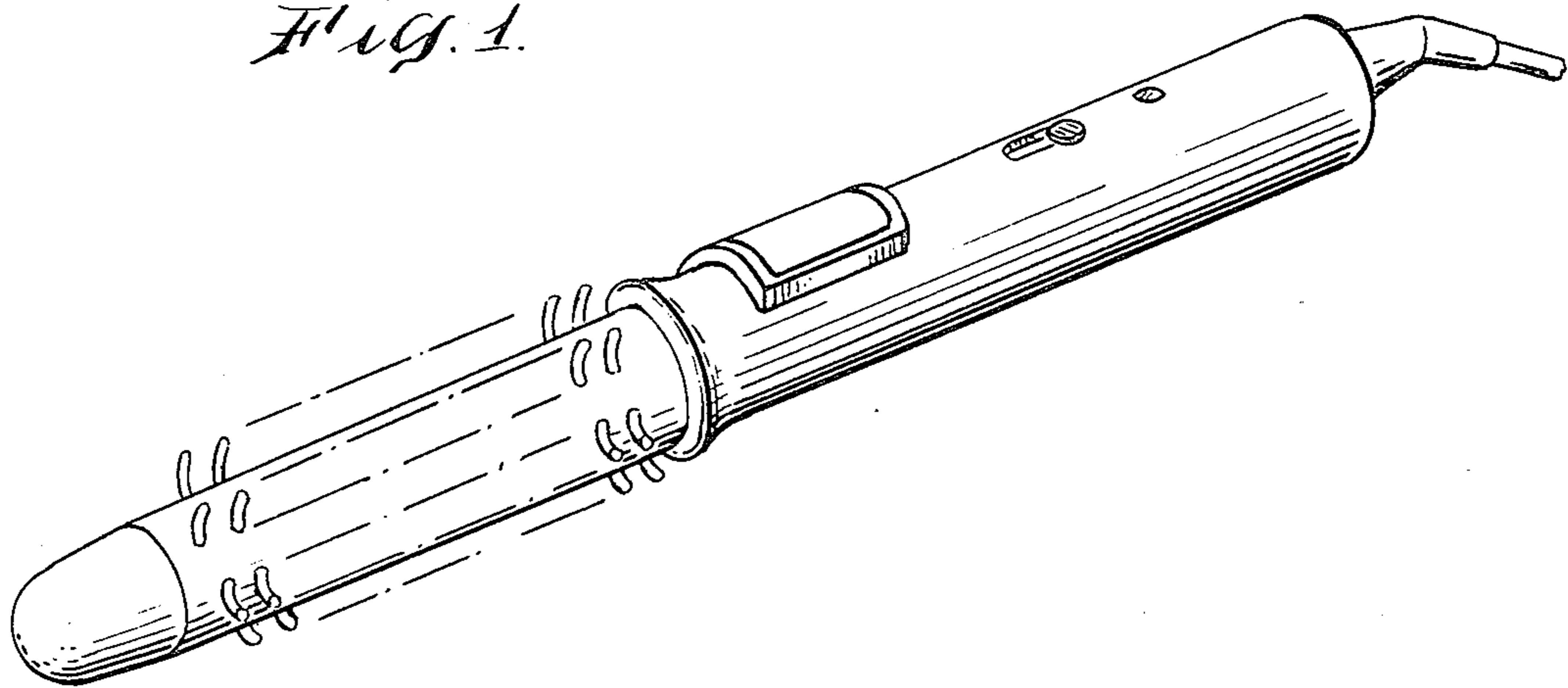


Fig. 2.

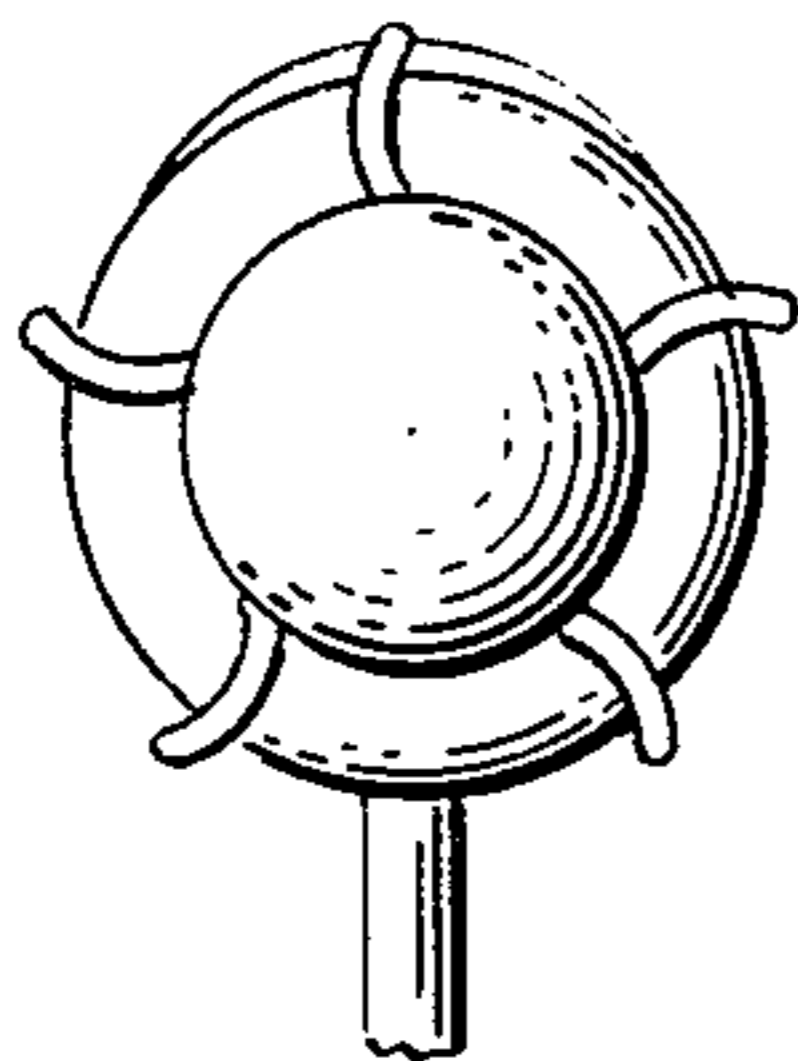


Fig. 3.

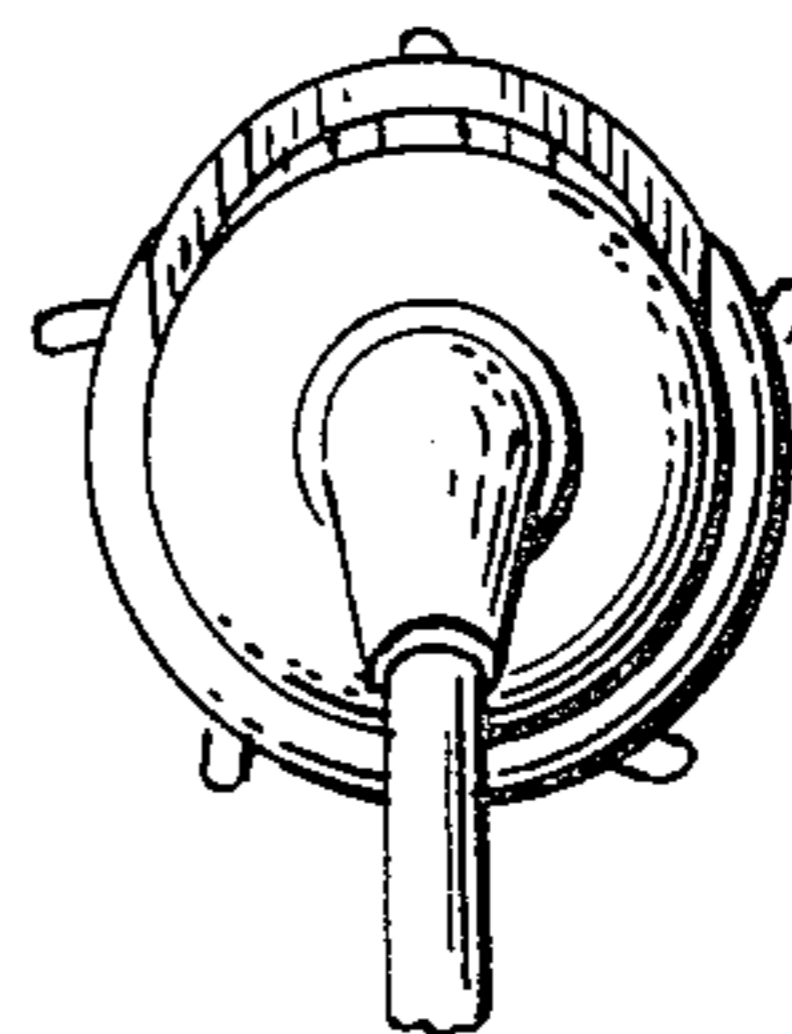


Fig. 4.

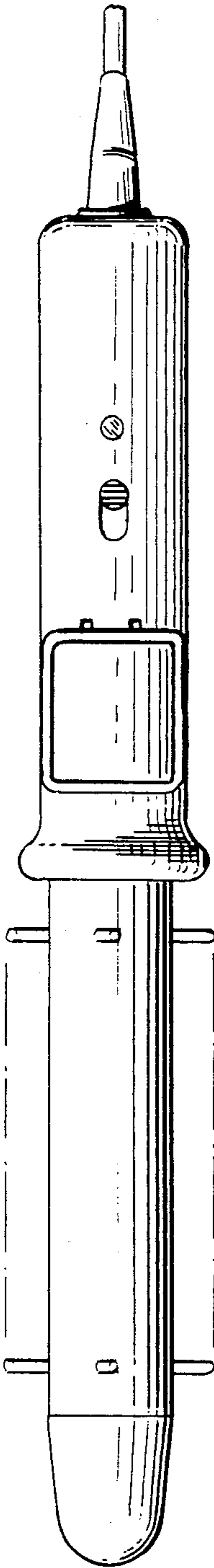


Fig. 5.

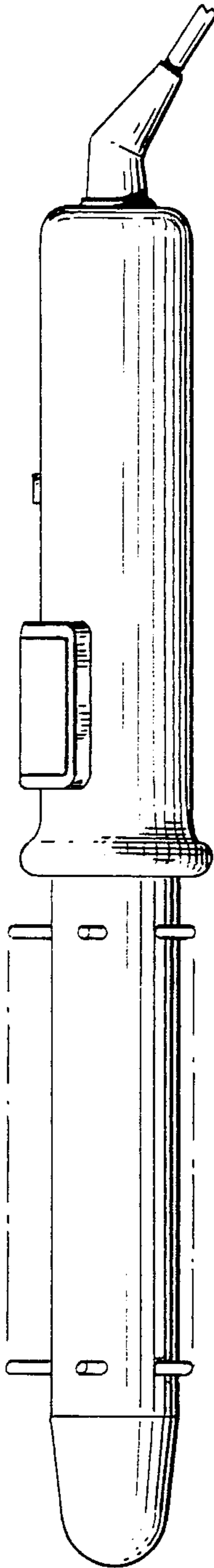


Fig. 6.

