

[54] DETACHABLE HANDLE FOR PERSONAL CARE APPLIANCES

[75] Inventor: James M. Rittenhouse, Watchung, N.J.

[73] Assignee: Conair Corporation, Edison, N.J.

[\*\*] Term: 14 Years

[21] Appl. No.: 511,635

[22] Filed: Jul. 7, 1983

[52] U.S. Cl. .... D28/18; D28/35

[58] Field of Search ..... D28/9, 10, 12, 13, 15-18, D28/24, 25, 35, 99; 219/222, 225; 34/96-101; 132/9, 11 A, 37 R, 37 A, 118; D24/41

[56] References Cited

U.S. PATENT DOCUMENTS

- D. 260,692 9/1981 Rakocy et al. .... D28/35
- D. 270,954 10/1983 Mizobata et al. .... D28/35
- 4,477,716 10/1984 Thaler et al. .... 219/225

OTHER PUBLICATIONS

*HFD-Retailing Home Furnishings*, 5/12/80, section one, p. 33-Conair Power Handle at top right.

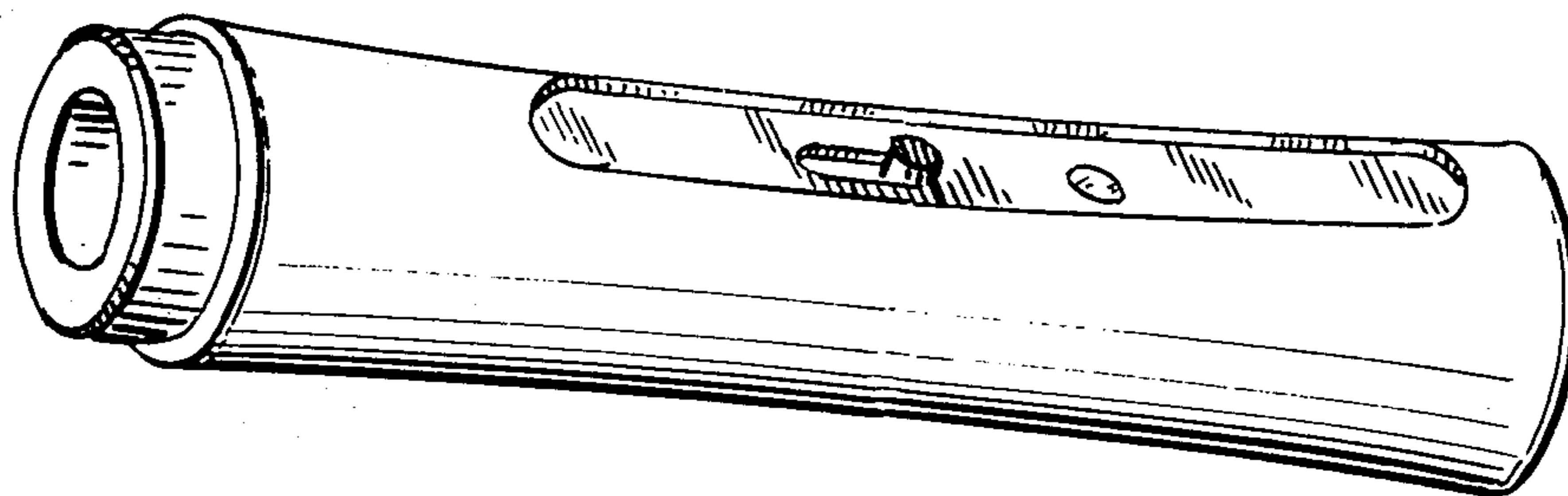
*Primary Examiner*—Louis S. Zarfes  
*Attorney, Agent, or Firm*—Haynes N. Johnson

[57] CLAIM

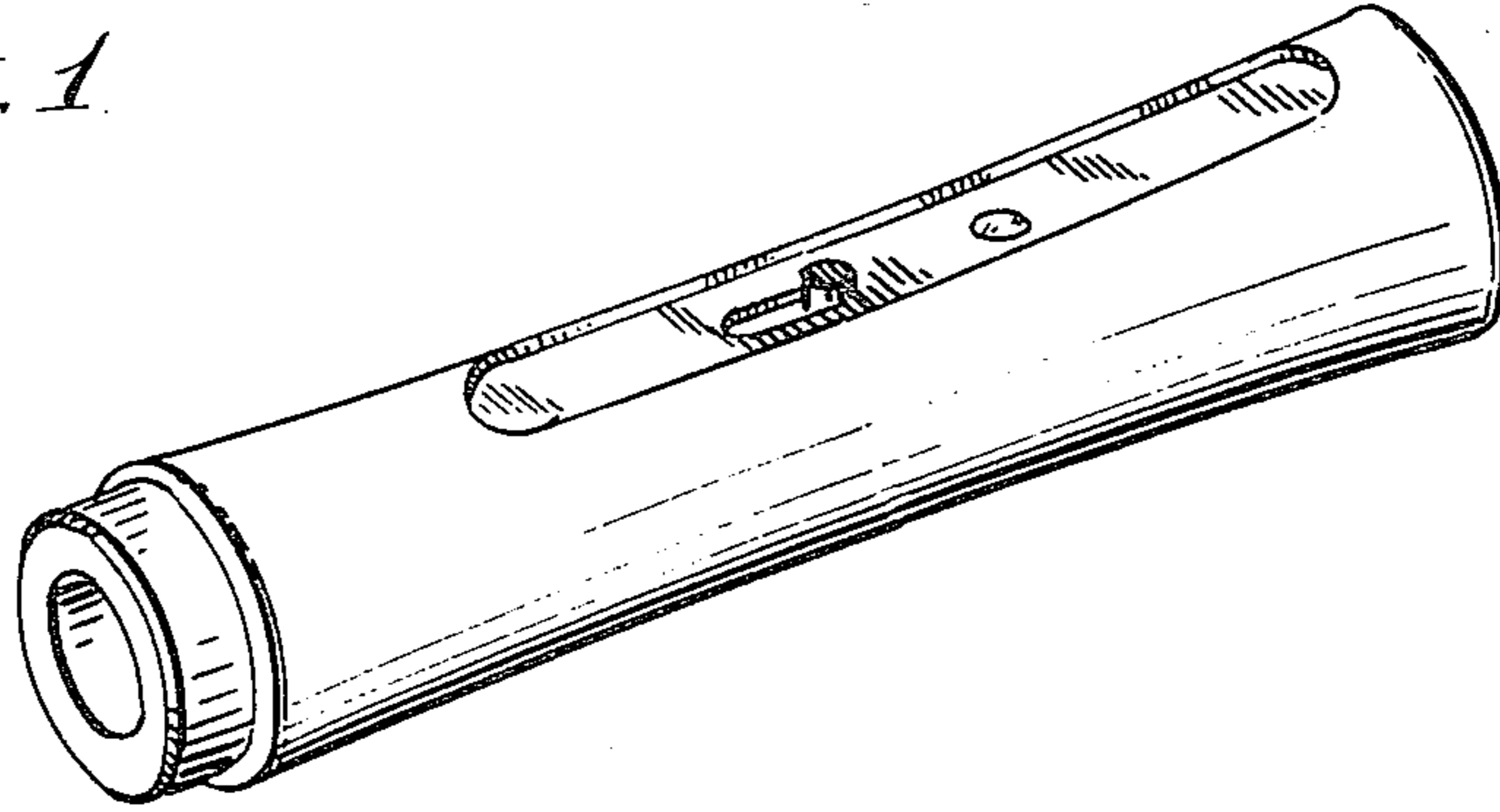
The ornamental design for a detachable handle for personal care appliances, substantially as shown and described.

DESCRIPTION

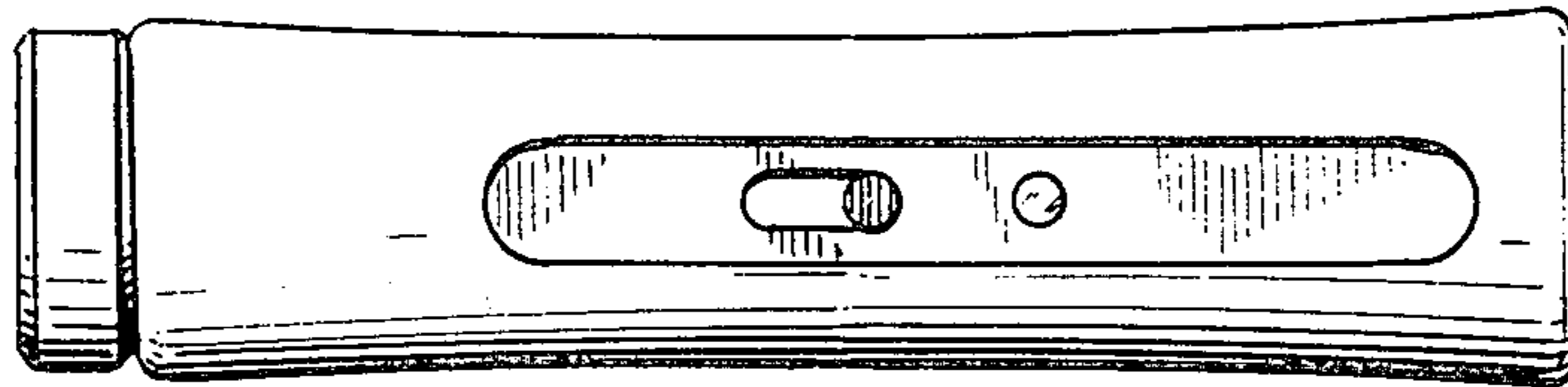
FIG. 1 is a perspective view of a detachable handle for personal care appliances of my new design;  
 FIG. 2 is a top view thereof;  
 FIG. 3 is a front elevational view thereof;  
 FIG. 4 is a left side elevational view thereof; the right side is a mirror image thereof;  
 FIG. 5 is a rear elevational view thereof;  
 FIG. 6 is a bottom view thereof.



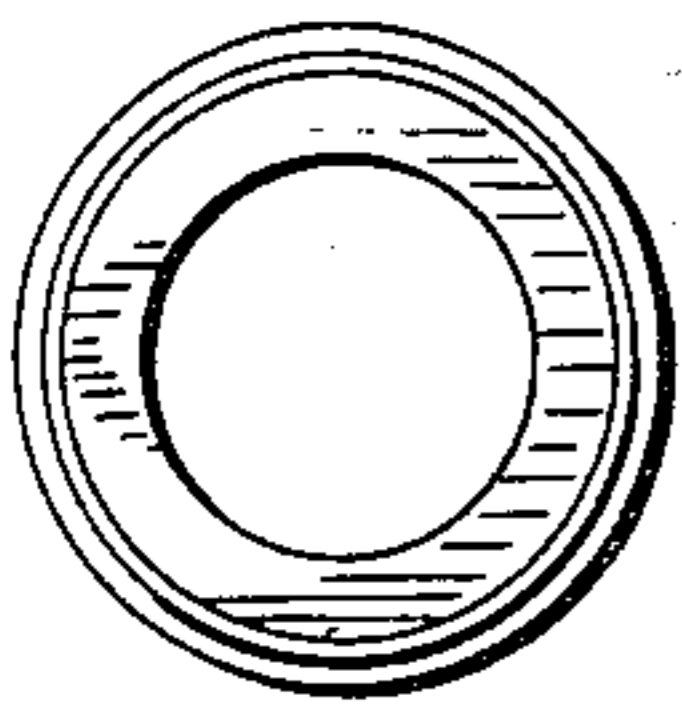
*Fig. 1.*



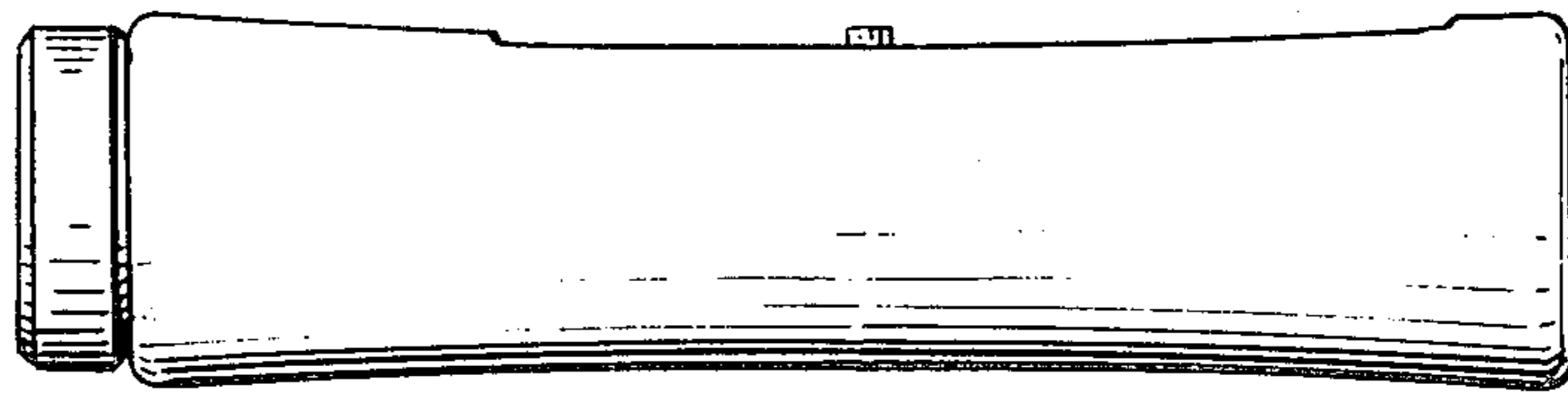
*Fig. 2.*



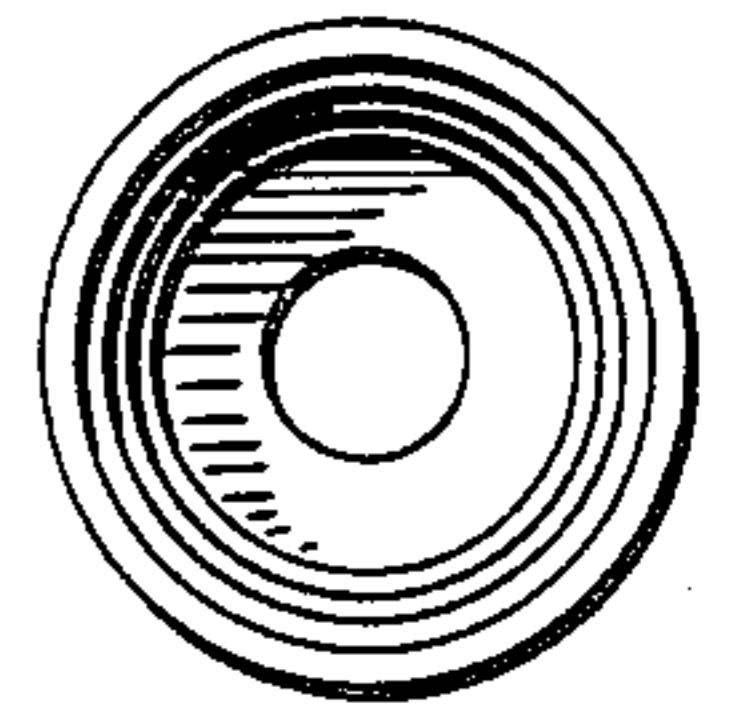
*Fig. 3.*



*Fig. 4.*



*Fig. 5.*



*Fig. 6.*

