

[54] **STYLER DRYER**

[75] Inventor: Witold Pajak, Wayne, N.J.

[73] Assignee: Conair Corporation, Edison, N.J.

[\*\*] Term: 14 Years

[21] Appl. No.: 531,489

[22] Filed: Sep. 12, 1983

[52] U.S. Cl. .... D28/13

[58] Field of Search ..... D28/9, 10, 12, 13, 15-18, D28/24, 25, 99; 219/222; 34/96-101; 132/9

[56] **References Cited**

**U.S. PATENT DOCUMENTS**

- D. 202,535 10/1965 Cooper ..... D28/13
- D. 225,587 12/1972 Tucker et al. .... D28/24 X
- D. 227,944 7/1973 Tucker ..... D28/13

- D. 252,472 7/1979 Wistrand ..... D28/18 X
- D. 256,846 9/1980 Haase ..... D28/13

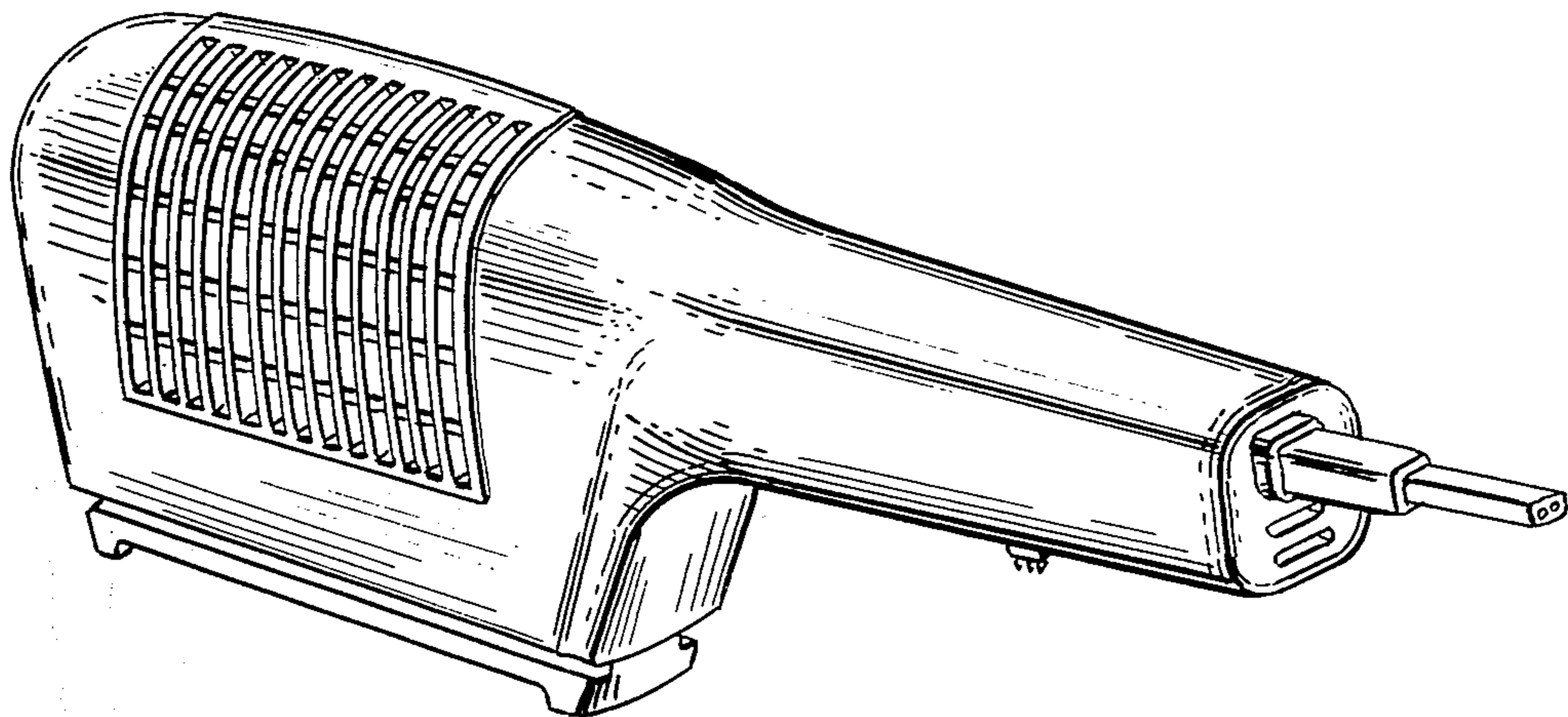
*Primary Examiner*—Louis S. Zarfes  
*Attorney, Agent, or Firm*—Haynes N. Johnson

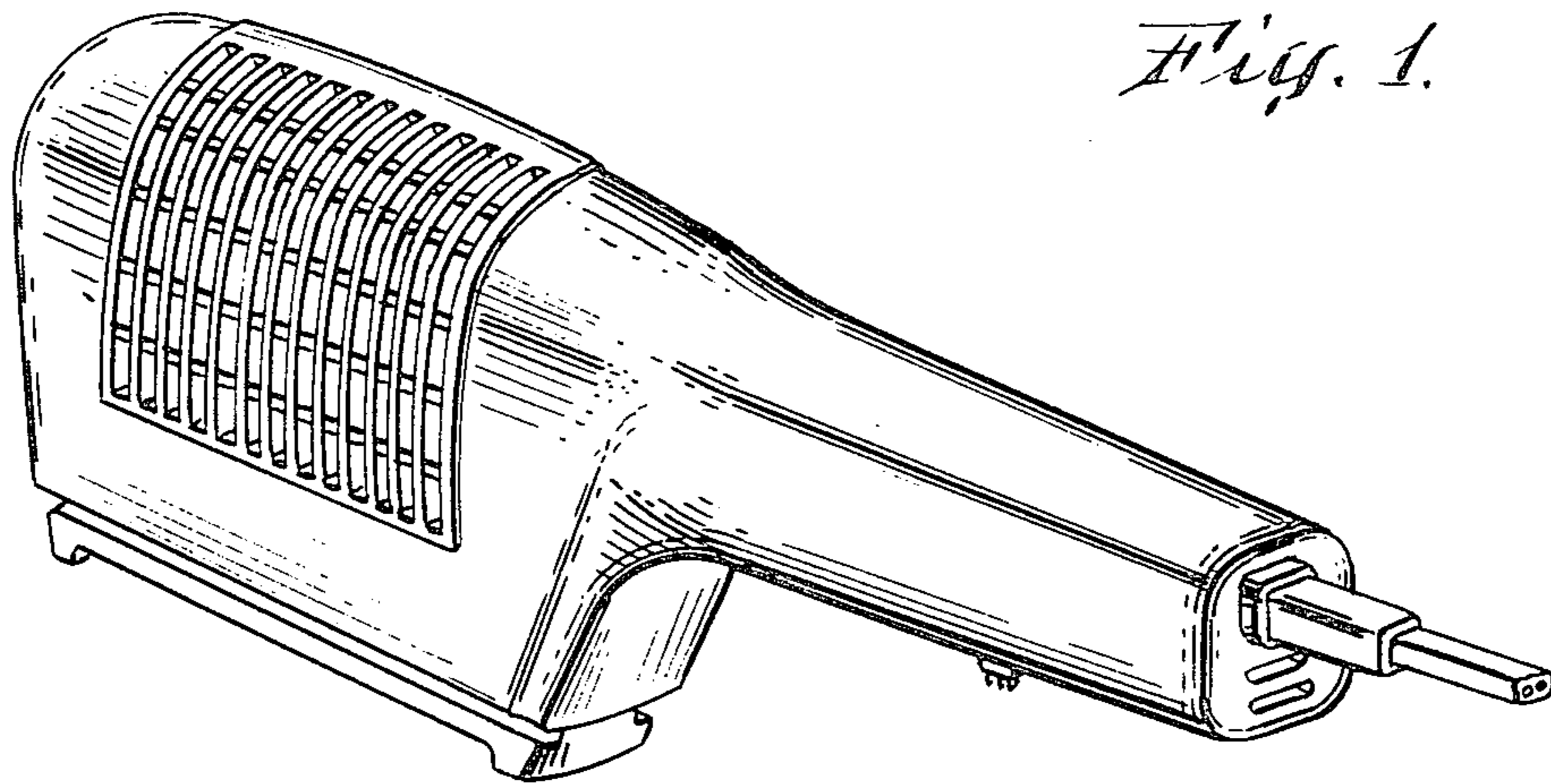
[57] **CLAIM**

The ornamental design for a styler dryer, substantially as shown and described.

**DESCRIPTION**

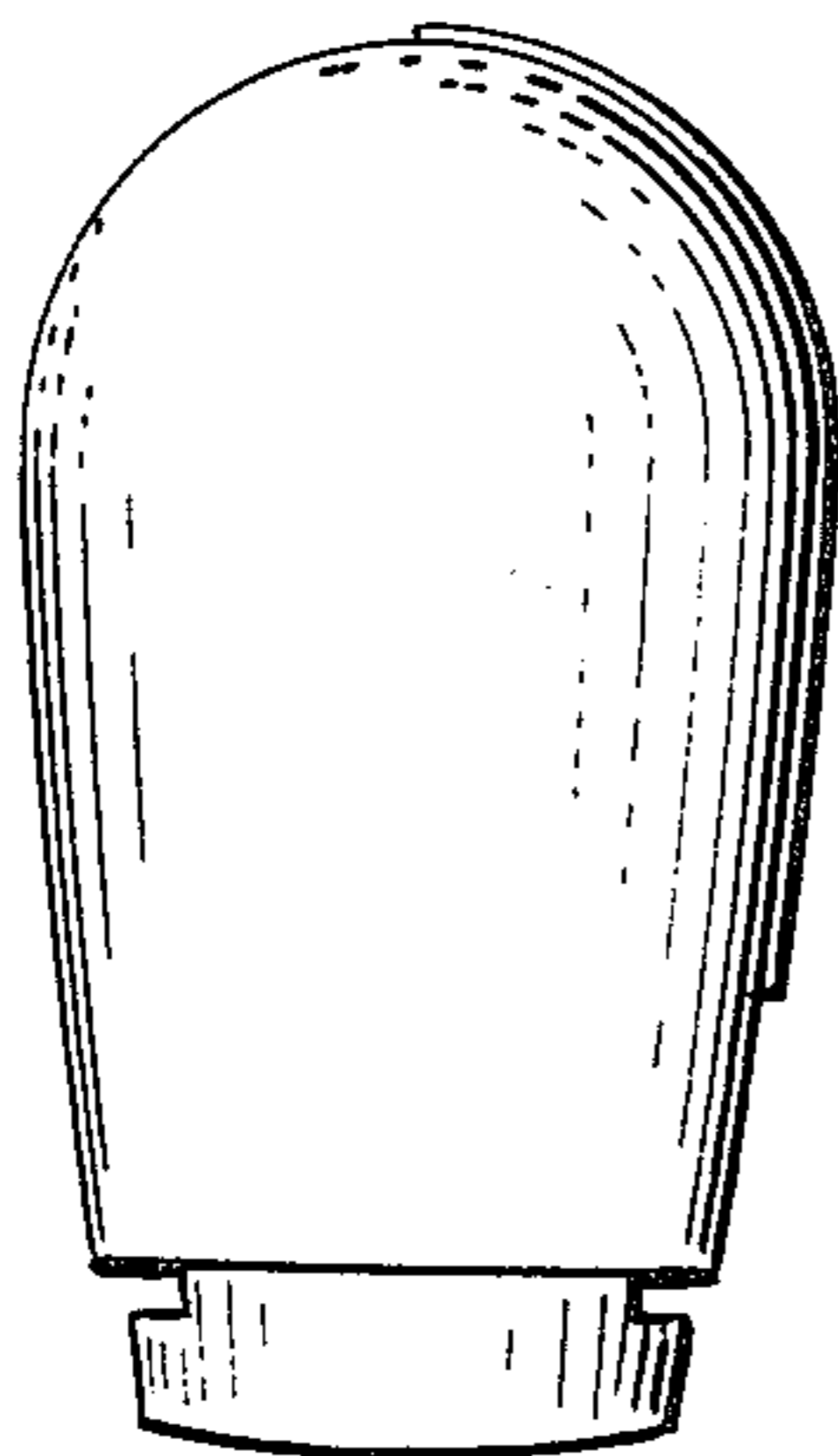
- FIG. 1 is a perspective view of a styler dryer showing my new design;
- FIG. 2 is a front elevational view thereof;
- FIG. 3 is a rear elevational view thereof;
- FIG. 4 is a top plan view thereof;
- FIG. 5 is a left side elevational view thereof;
- FIG. 6 is a bottom plan view thereof, and
- FIG. 7 is a right side elevational view thereof.



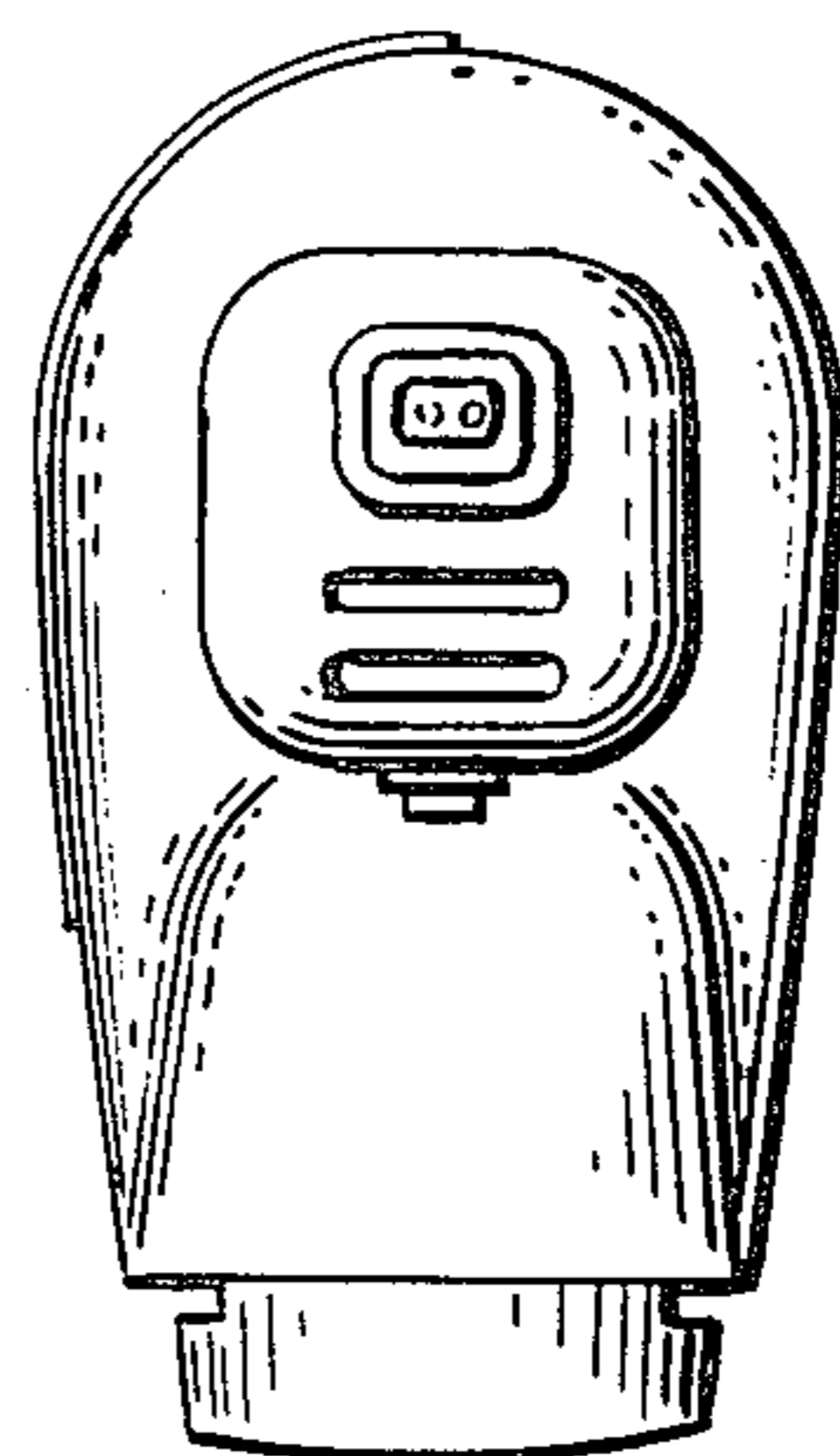


*Fig. 1.*

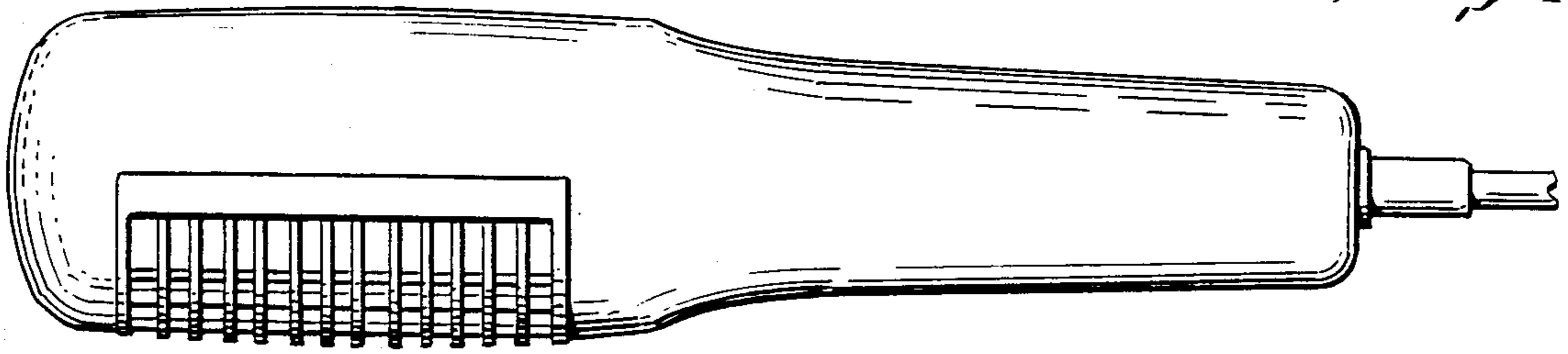
*Fig. 2.*



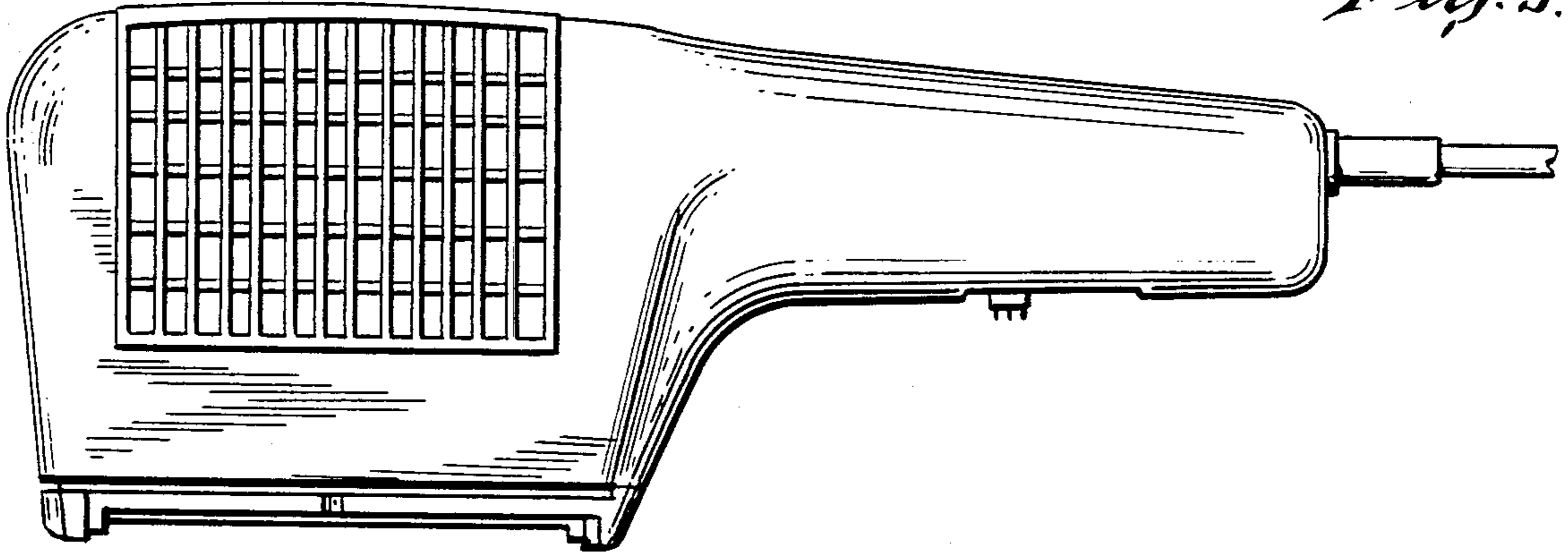
*Fig. 3.*



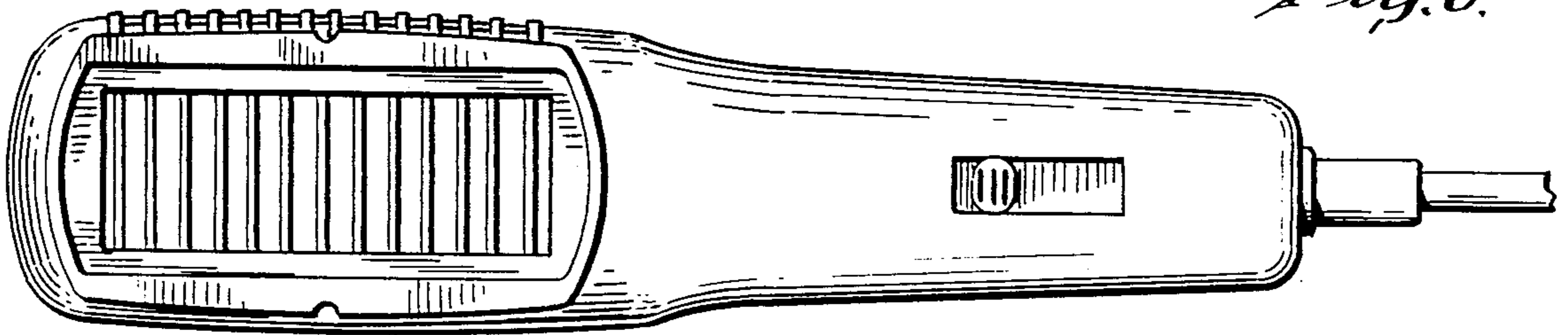
*Fig. 4.*



*Fig. 5.*



*Fig. 6.*



*Fig. 7.*

