

[54] ANGULATED VENIPUNCTURE NEEDLE

[76] Inventor: Jeffrey L. Brown, 60 Bates, Harrison, N.Y. 10528

[**] Term: 14 Years

[21] Appl. No.: 462,858

[22] Filed: Jan. 31, 1983

[52] U.S. Cl. D24/52

[58] Field of Search D24/52, 53, 59; 604/264

[56] References Cited

U.S. PATENT DOCUMENTS

D. 223,043	2/1972	Raines et al.	D24/52
3,297,030	1/1967	Czorny et al.	604/160
3,851,647	12/1974	Monestere et al.	604/167
3,896,803	7/1975	Mason	604/32
3,896,803	7/1975	Mason	604/32
3,906,930	9/1975	Guerra	128/766
3,906,946	9/1975	Nordström	604/164
4,106,491	8/1978	Guerra	604/167
4,161,177	7/1979	Fuchs	604/177

FOREIGN PATENT DOCUMENTS

33207	8/1981	European Pat. Off.	604/264
2434618	2/1975	Fed. Rep. of Germany	604/264
689131	of 0000	United Kingdom .	
920028	of 0000	United Kingdom .	
986478	of 0000	United Kingdom .	

Primary Examiner—A. Hugo Word

Assistant Examiner—Stella Reid
Attorney, Agent, or Firm—Dowell & Dowell

[57] CLAIM

The ornamental design for an angulated venipuncture needle, as shown and described.

DESCRIPTION

FIG. 1 is a top perspective view of an angulated venipuncture needle showing my new design.

FIG. 2 is a side view of the angulated venipuncture needle as shown in FIG. 1 as observed from the left side thereof.

FIG. 3 is a top plan view of the angulated venipuncture needle shown in FIG. 1.

FIG. 4 is a front elevational view of the angulated venipuncture needle shown in FIG. 1.

FIG. 5 is a rear elevational view of the angulated venipuncture needle as shown in FIG. 1.

FIG. 6 is a bottom plan view of the angulated venipuncture needle shown in FIG. 1.

FIG. 7 is a cross-sectional view of the angulated venipuncture needle shown in FIG. 2.

FIG. 8 is a side view of a modified design of the angulated venipuncture needle shown in FIGS. 1-7.

FIG. 9 is a front elevational view of the modified design for the angulated venipuncture needle shown in FIG. 8.

FIG. 10 is a rear elevational view of the modified design for the angulated venipuncture needle shown in FIG. 8.

FIG. 11 is a cross-sectional view of the modified design of the angulated venipuncture needle shown in FIG. 8.

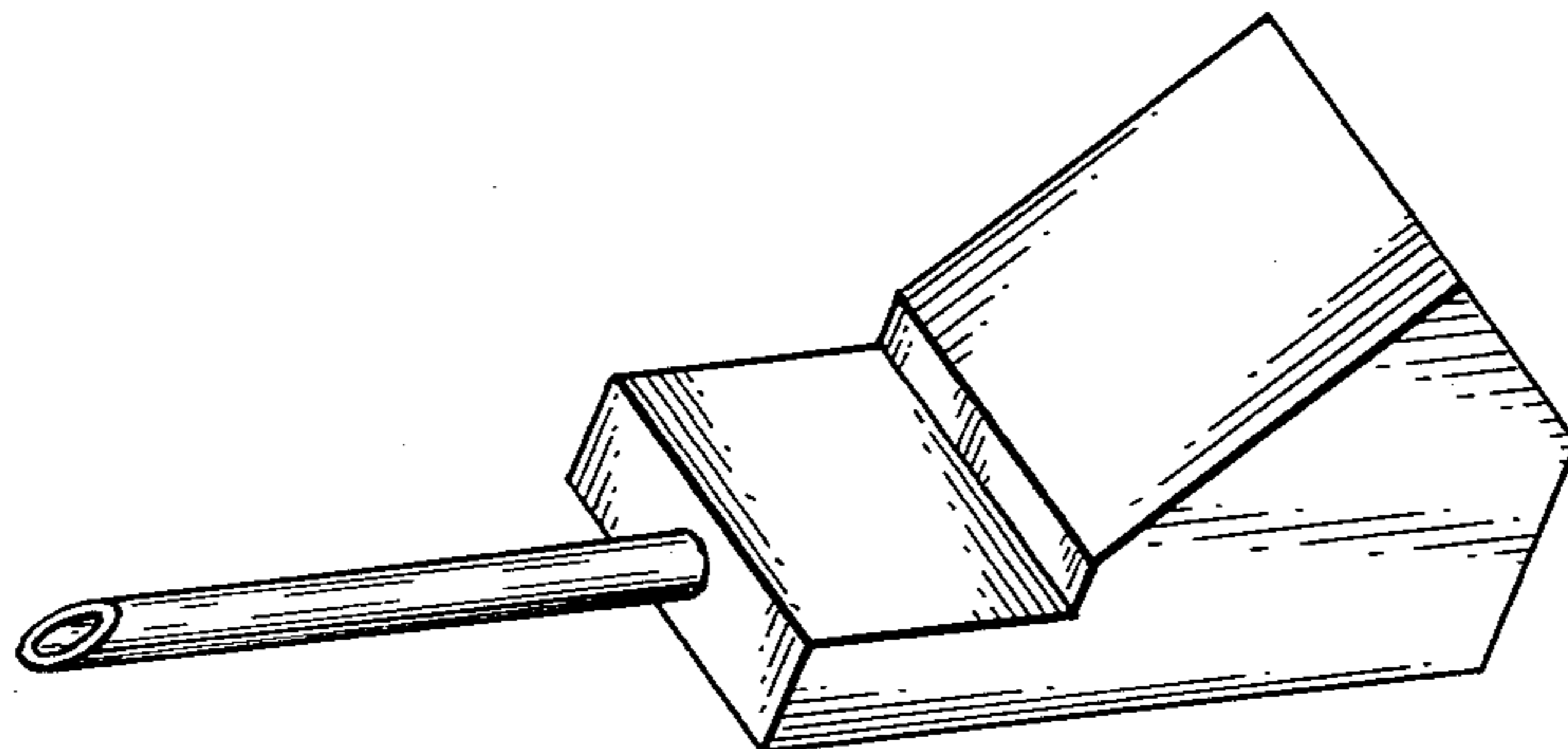


Fig. 1

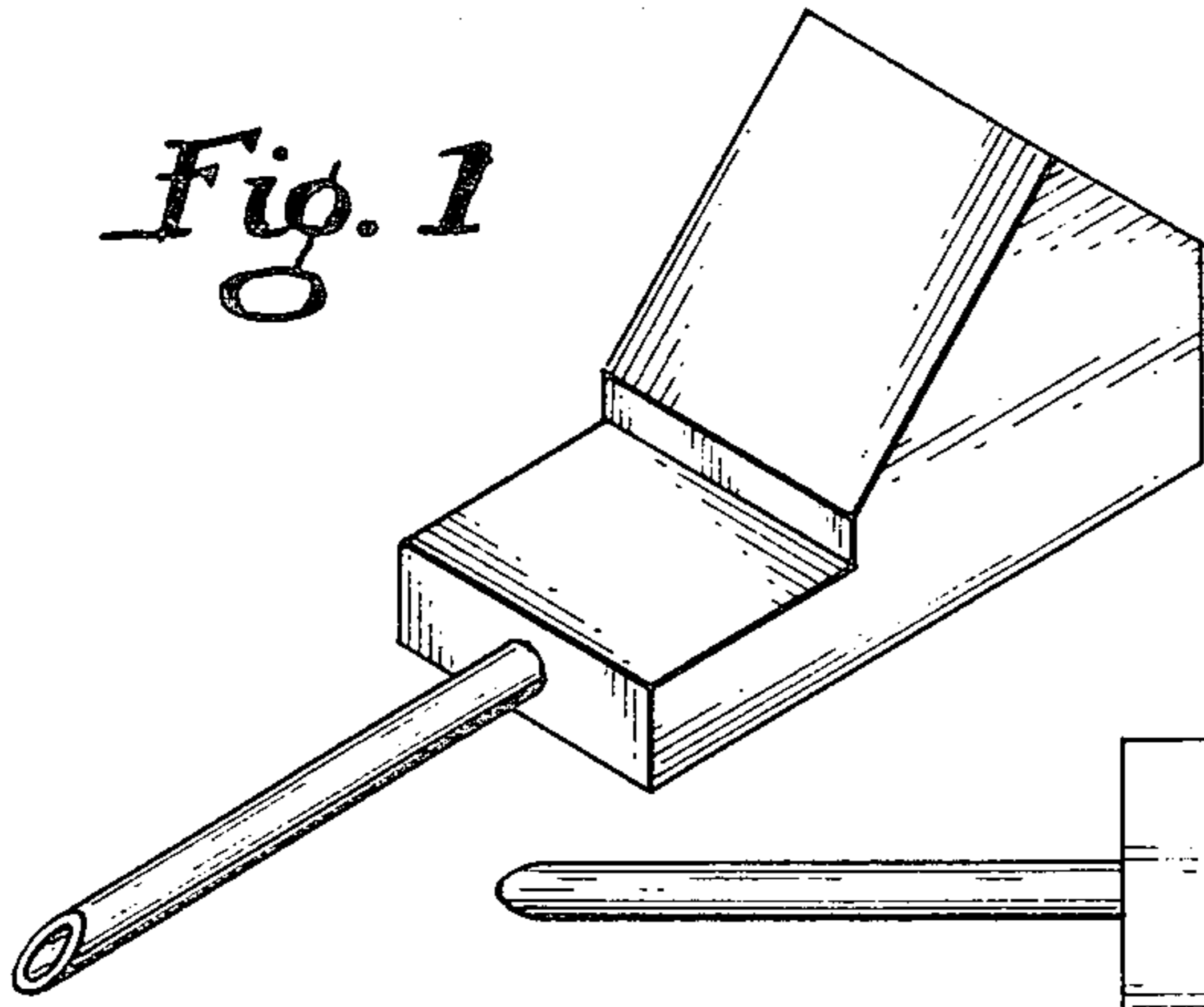


Fig. 4

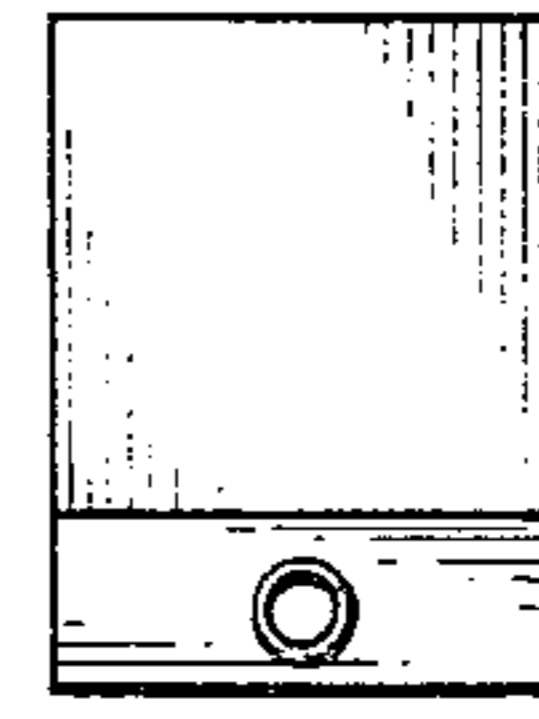


Fig. 6

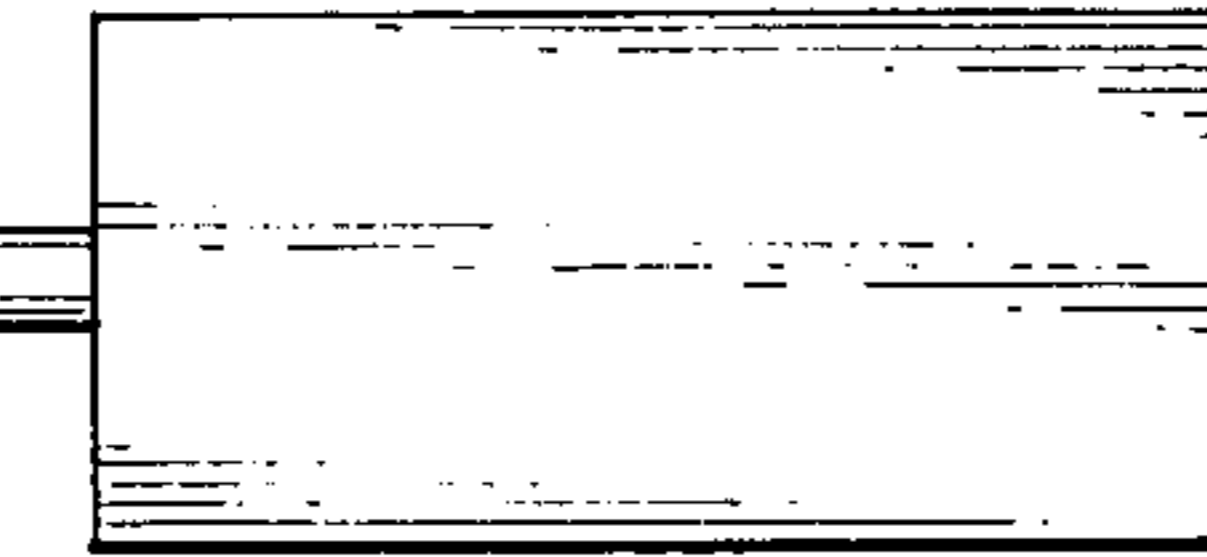


Fig. 2

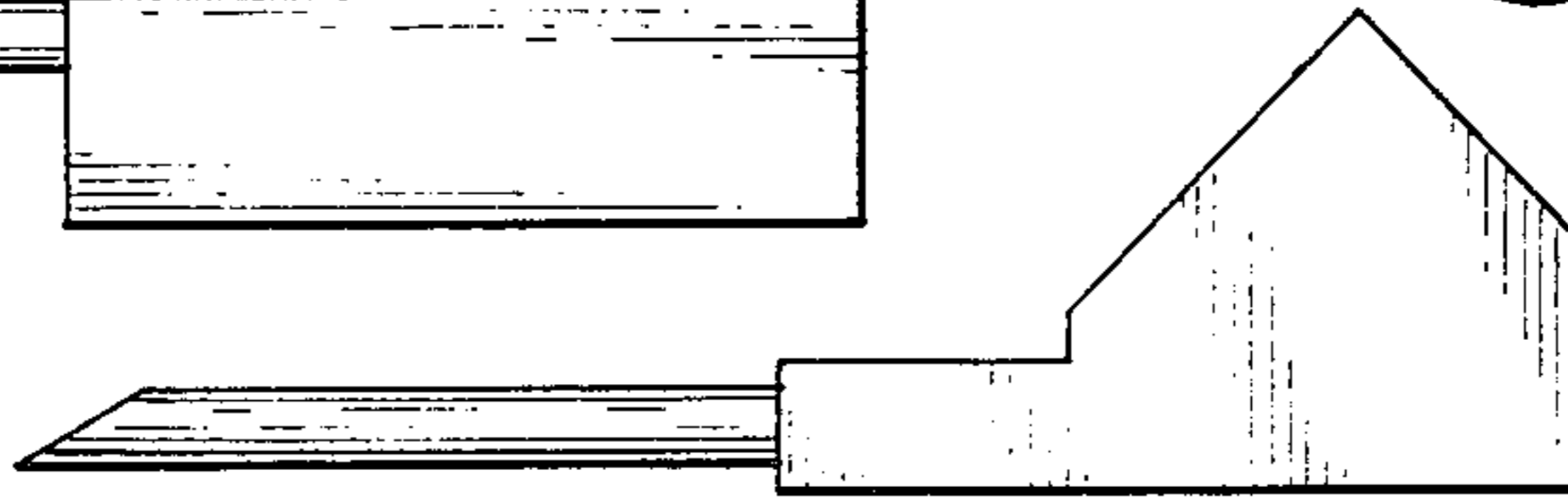


Fig. 3

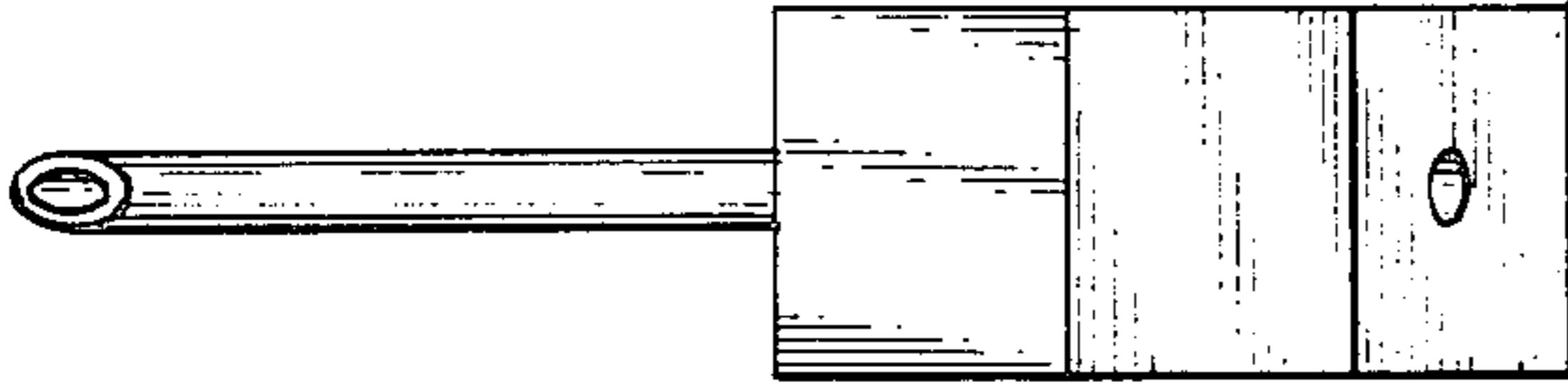


Fig. 7

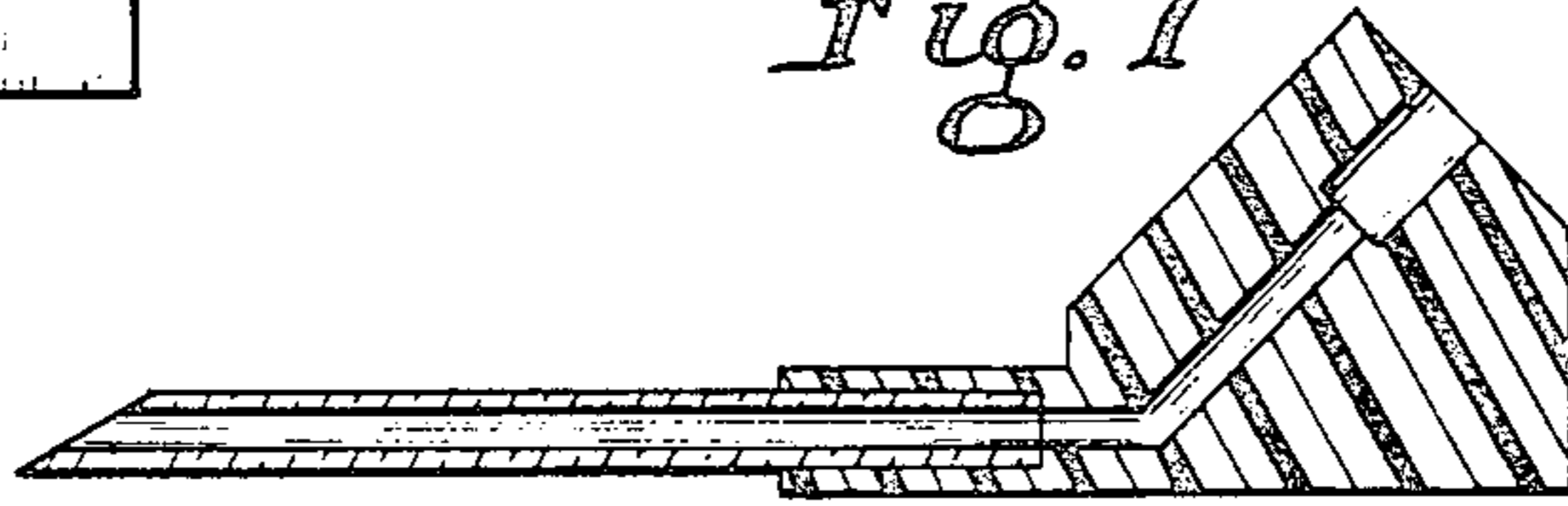


Fig. 5

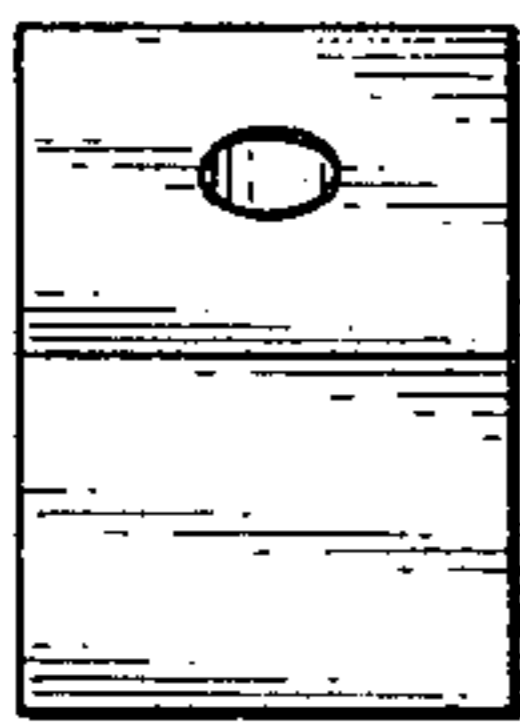


Fig. 8

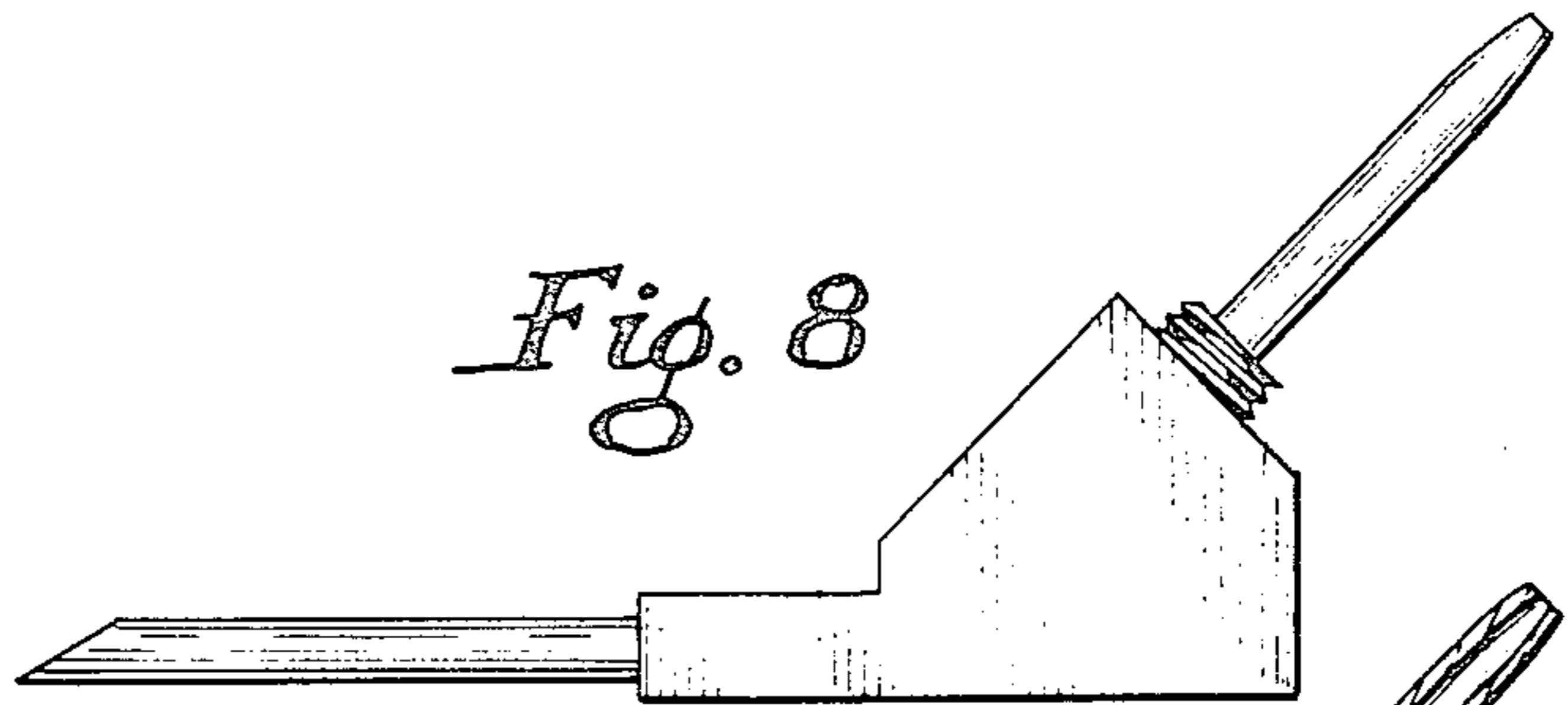


Fig. 9

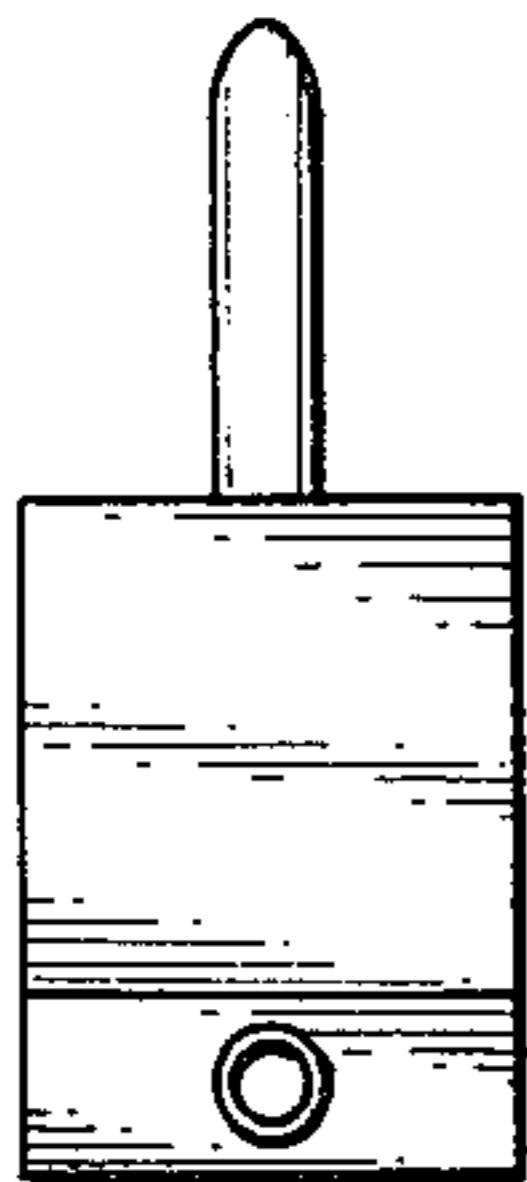


Fig. 10

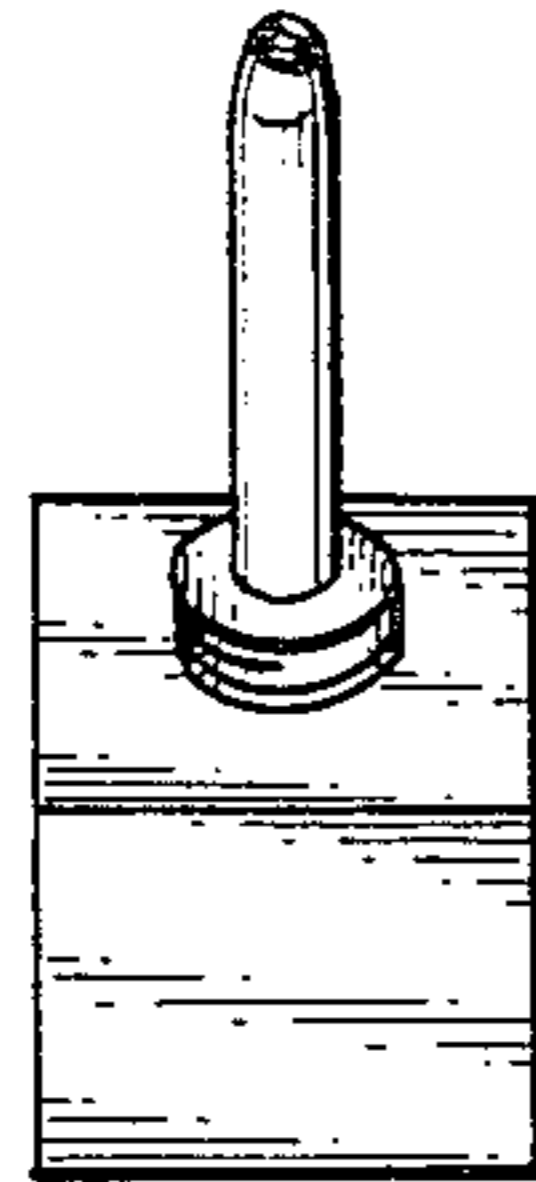


Fig. 11

