

[54] BELT MOUNTED MASSAGING UNIT

[76] Inventor: John S. Doyel, 404 W. 20th St., New York, N.Y. 10011

[**] Term: 14 Years

[21] Appl. No.: 465,733

[22] Filed: Feb. 11, 1983

[52] U.S. Cl. D24/40

[58] Field of Search D24/36, 40; 128/32, 128/63, 64, 41, 802

[56] References Cited

U.S. PATENT DOCUMENTS

D. 237,221	10/1975	McNair	D24/40
447,857	3/1891	Williams	128/802 X
868,123	10/1907	Randall	128/802 X
879,777	2/1908	Lackland	128/802 X
3,993,053	11/1976	Grosson	128/64
4,224,931	9/1980	Nelkin	128/32

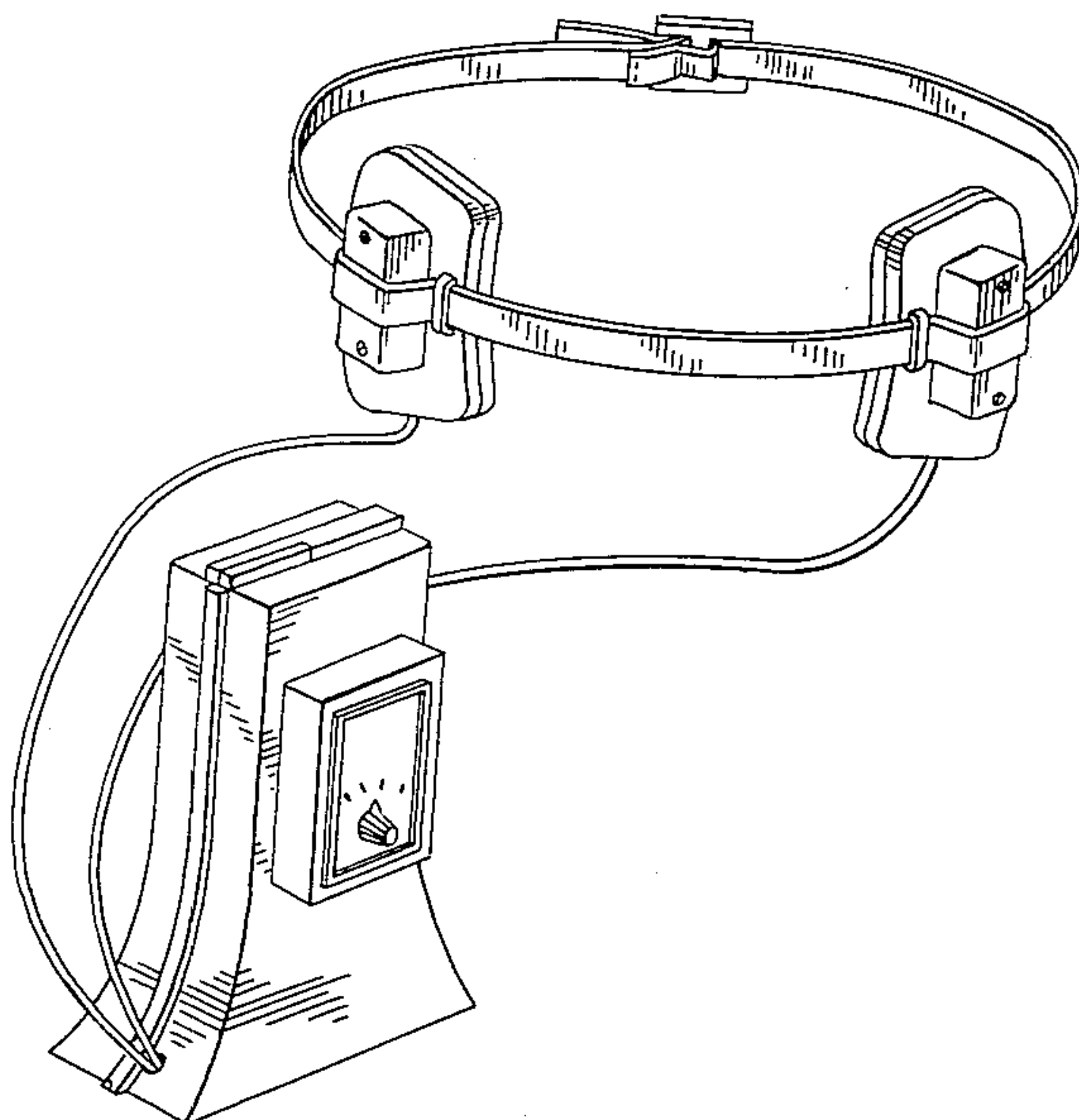
Primary Examiner—A. Hugo Word
Assistant Examiner—Stella Reid

[57] CLAIM

The ornamental design for a belt mounted massaging unit, as shown and described.

DESCRIPTION

FIG. 1 is a perspective view of a belt mounted massaging unit embodying my new design.
 FIG. 2 is a bottom plan view of one of the two identical pads forming a part of the device.
 FIG. 3 is a side elevational view showing the longer dimension of the pad.
 FIG. 4 is an elevational view from the side opposite that shown in FIG. 3.
 FIG. 5 is a top plan view of the pad.
 FIG. 6 is a side elevational view of the pad showing the shorter dimension thereof.
 FIG. 7 is an elevational view from the side opposite that shown in FIG. 6.
 FIG. 8 is a front elevational view of a base unit forming a part of the device.
 FIG. 9 is a side elevational view of the base unit, the other side being identical except that it does not have an aperture for wires to come out of it.
 FIG. 10 is a back elevational view of the base unit.
 FIG. 11 is a top plan view of the base unit.
 FIG. 12 is a bottom plan view of the base unit.



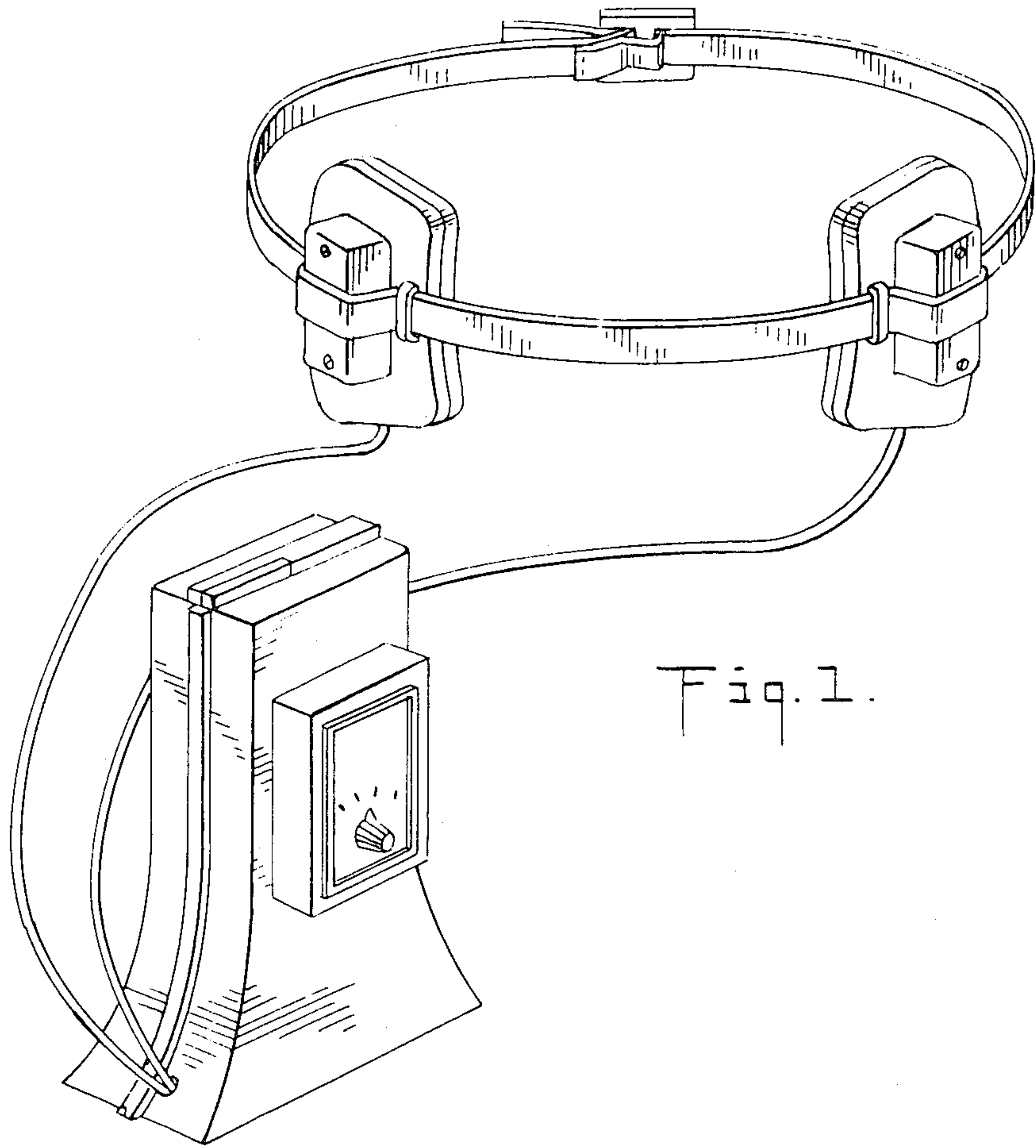


Fig. 1.

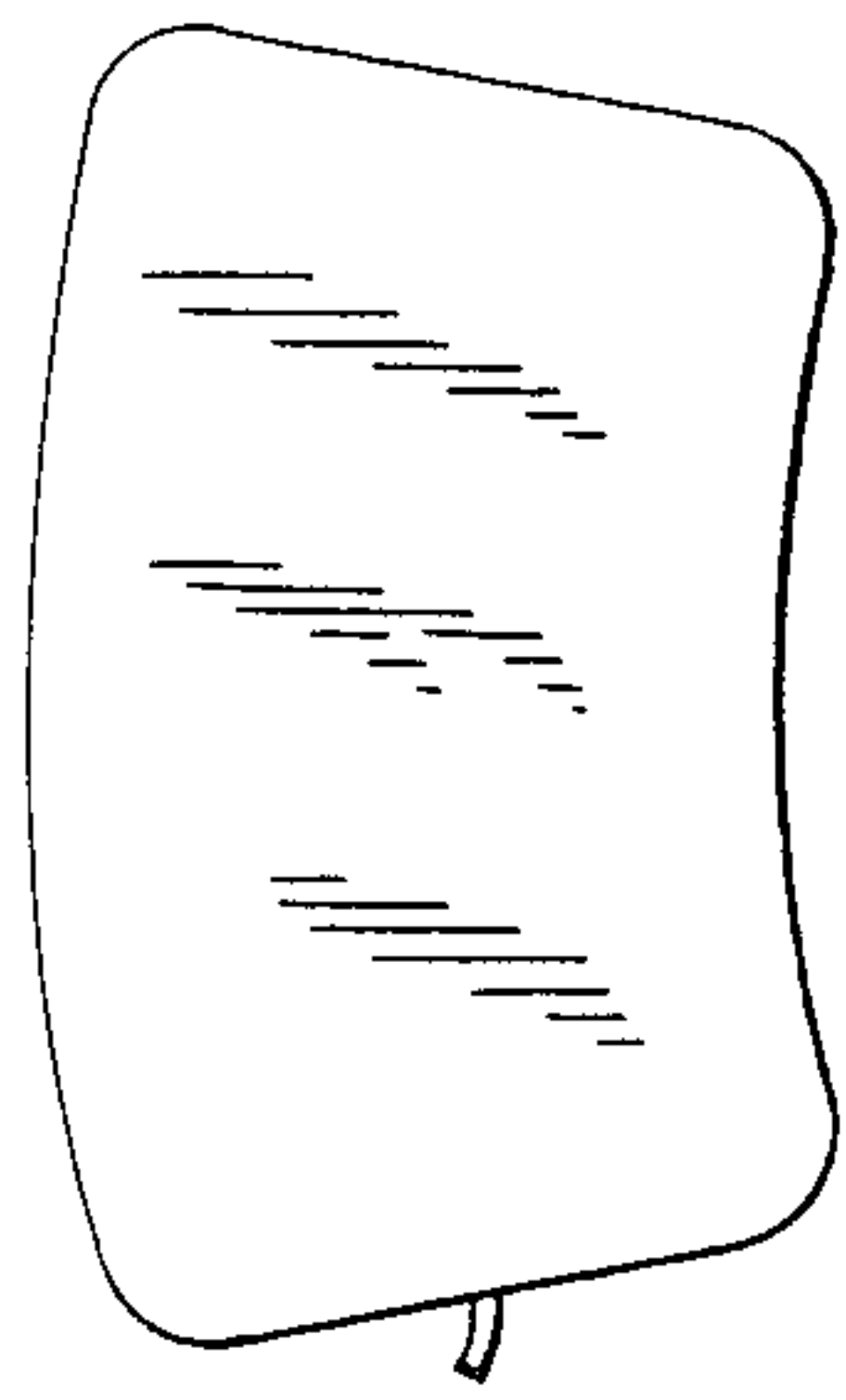


Fig. 2.

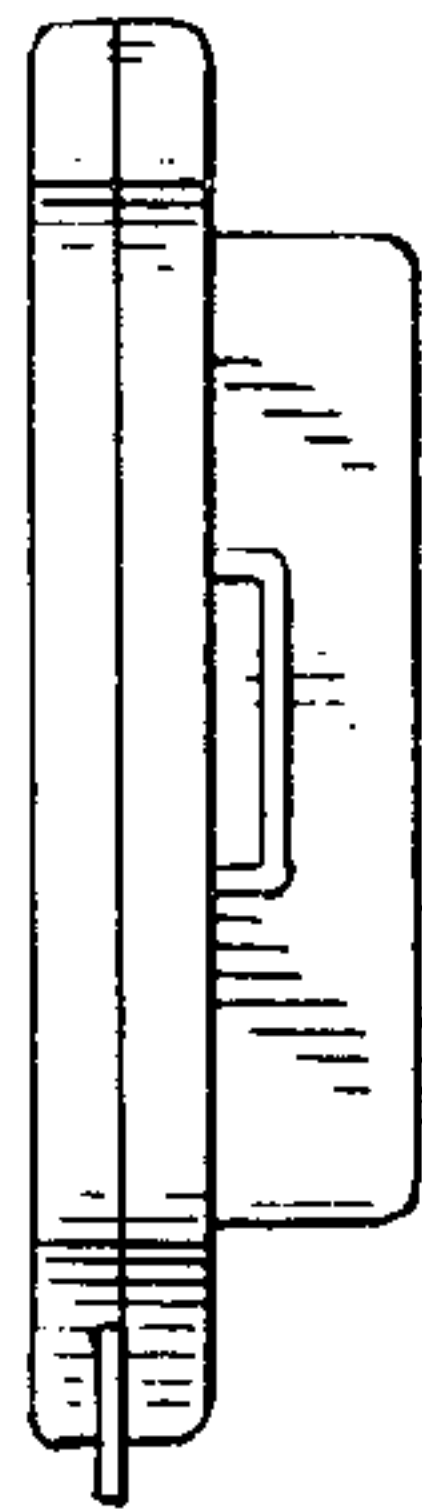


Fig. 3.

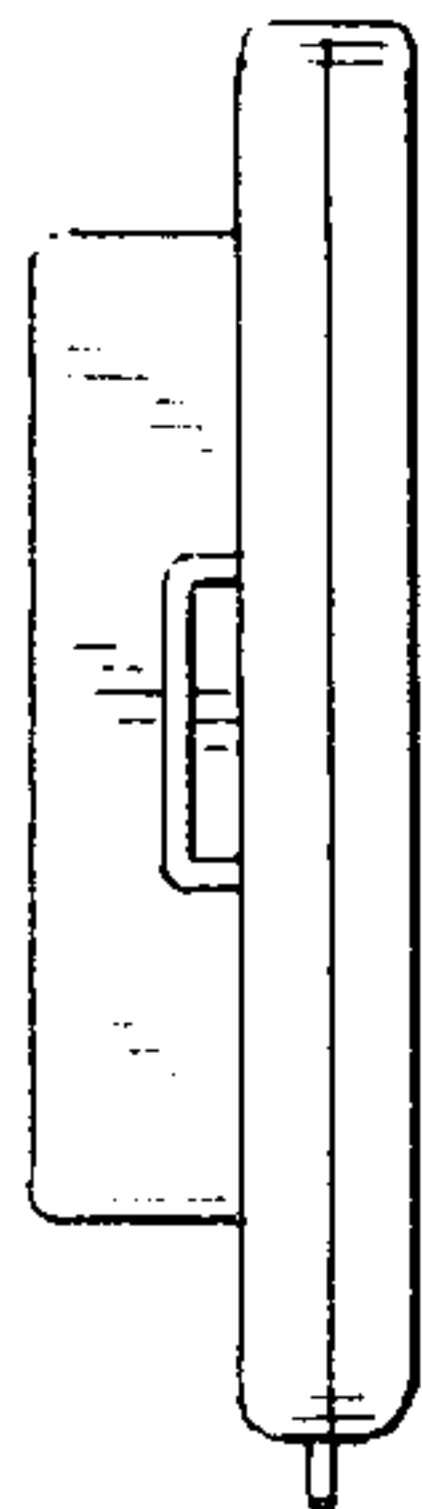


Fig. 4.

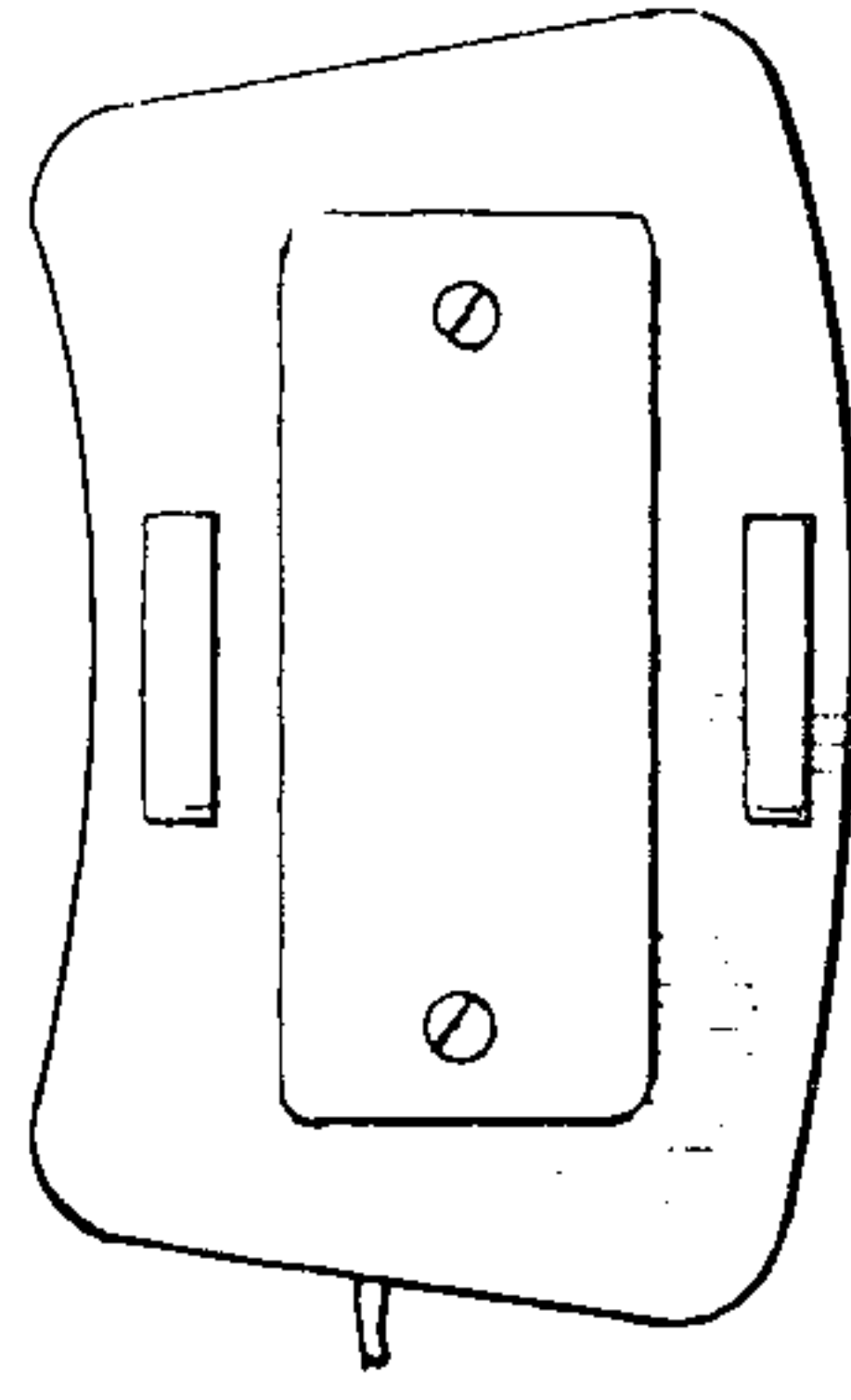


Fig. 5.

Fig. 6.

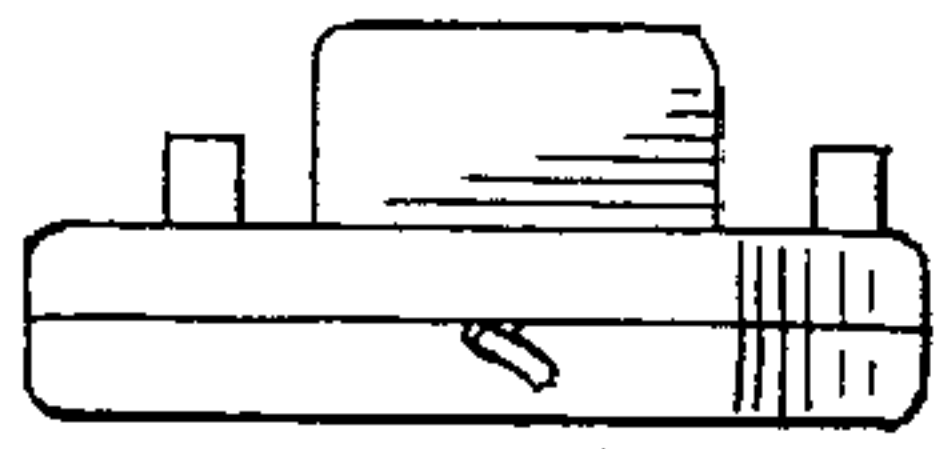


Fig. 7.

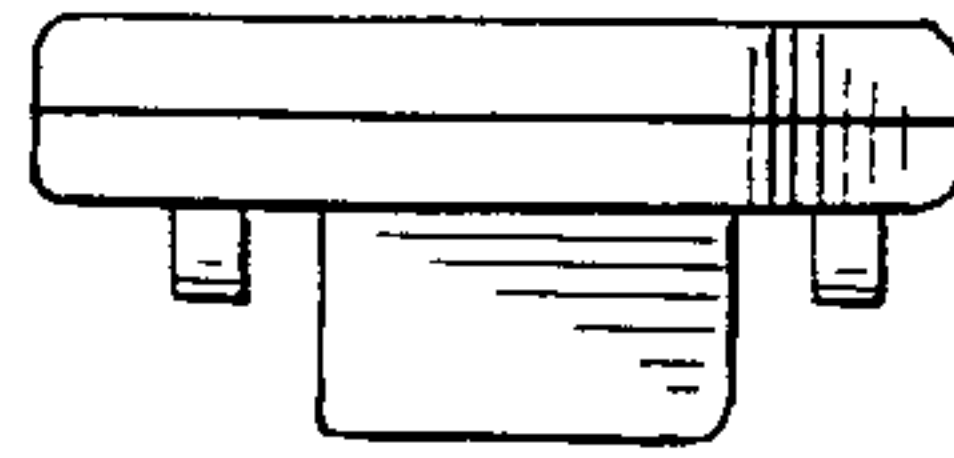


Fig. 8.

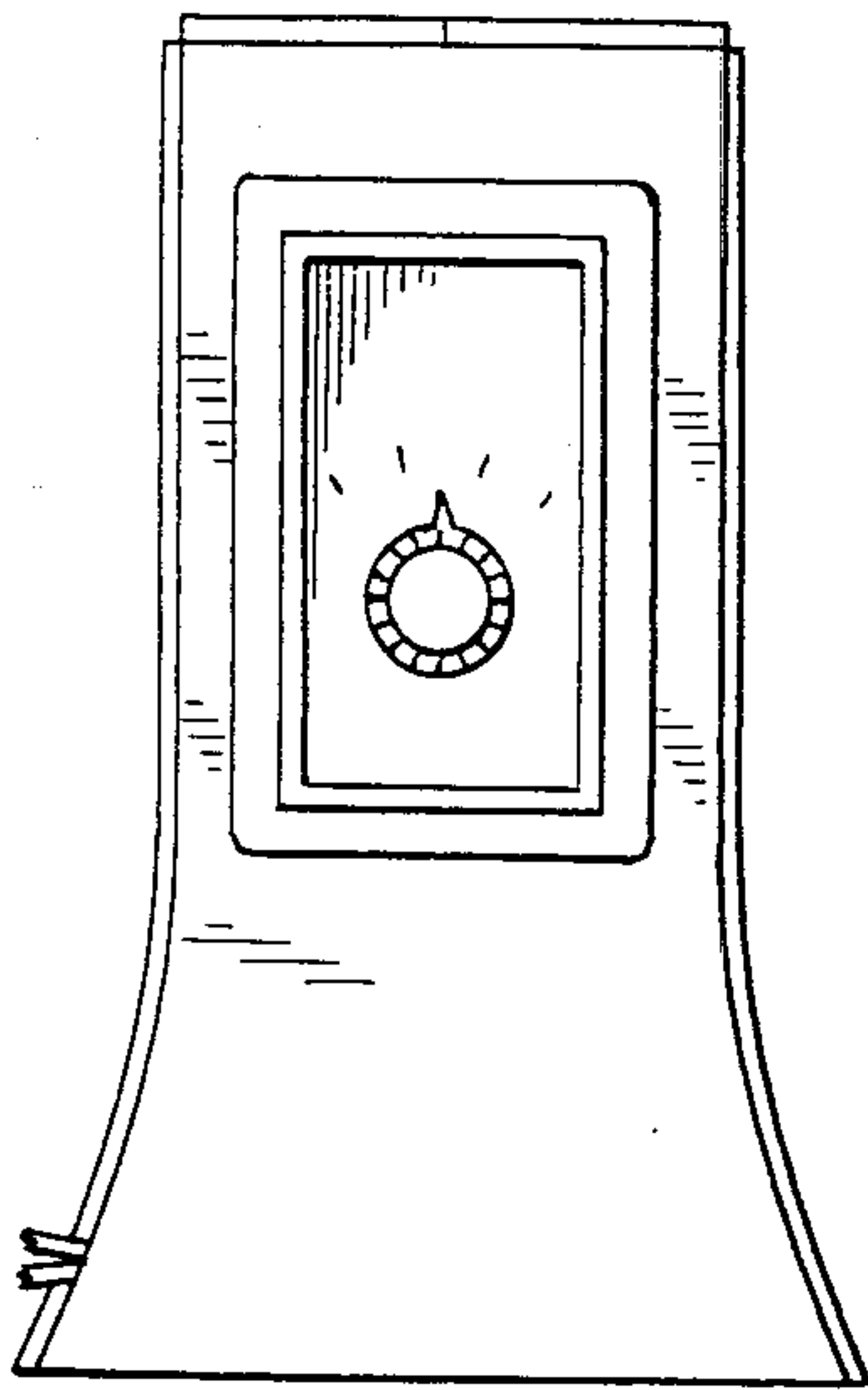


Fig. 9.

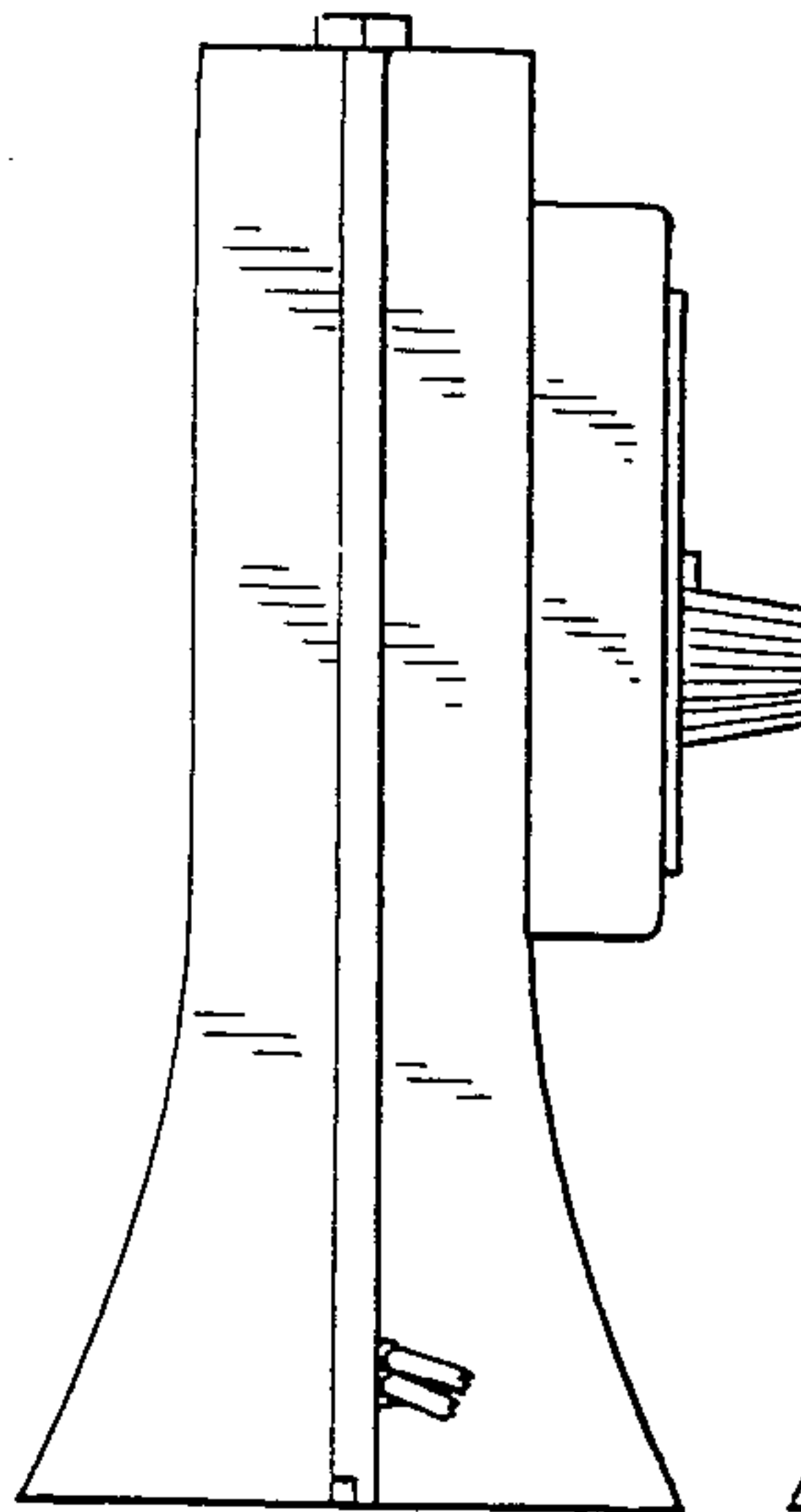


Fig. 10.

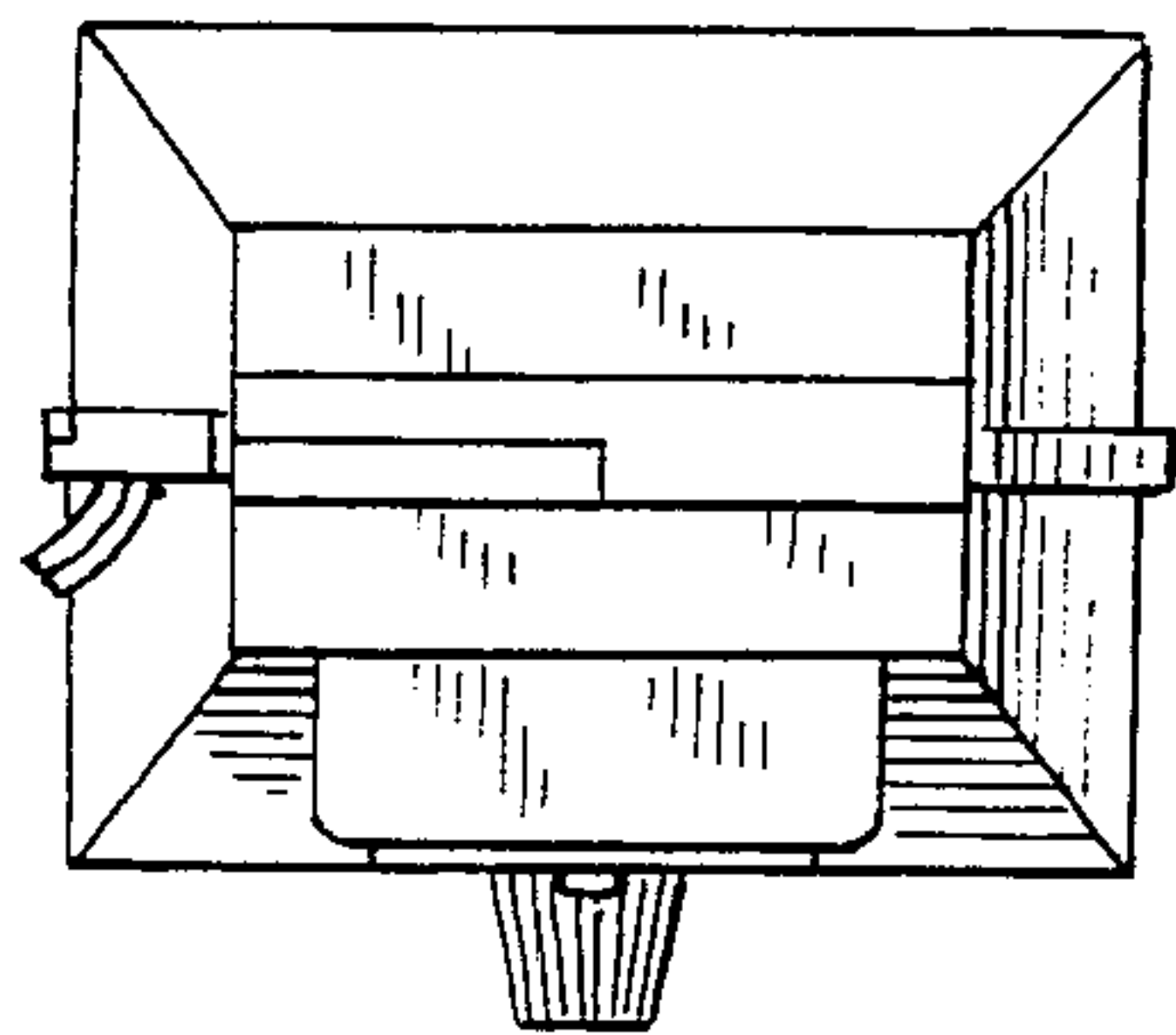
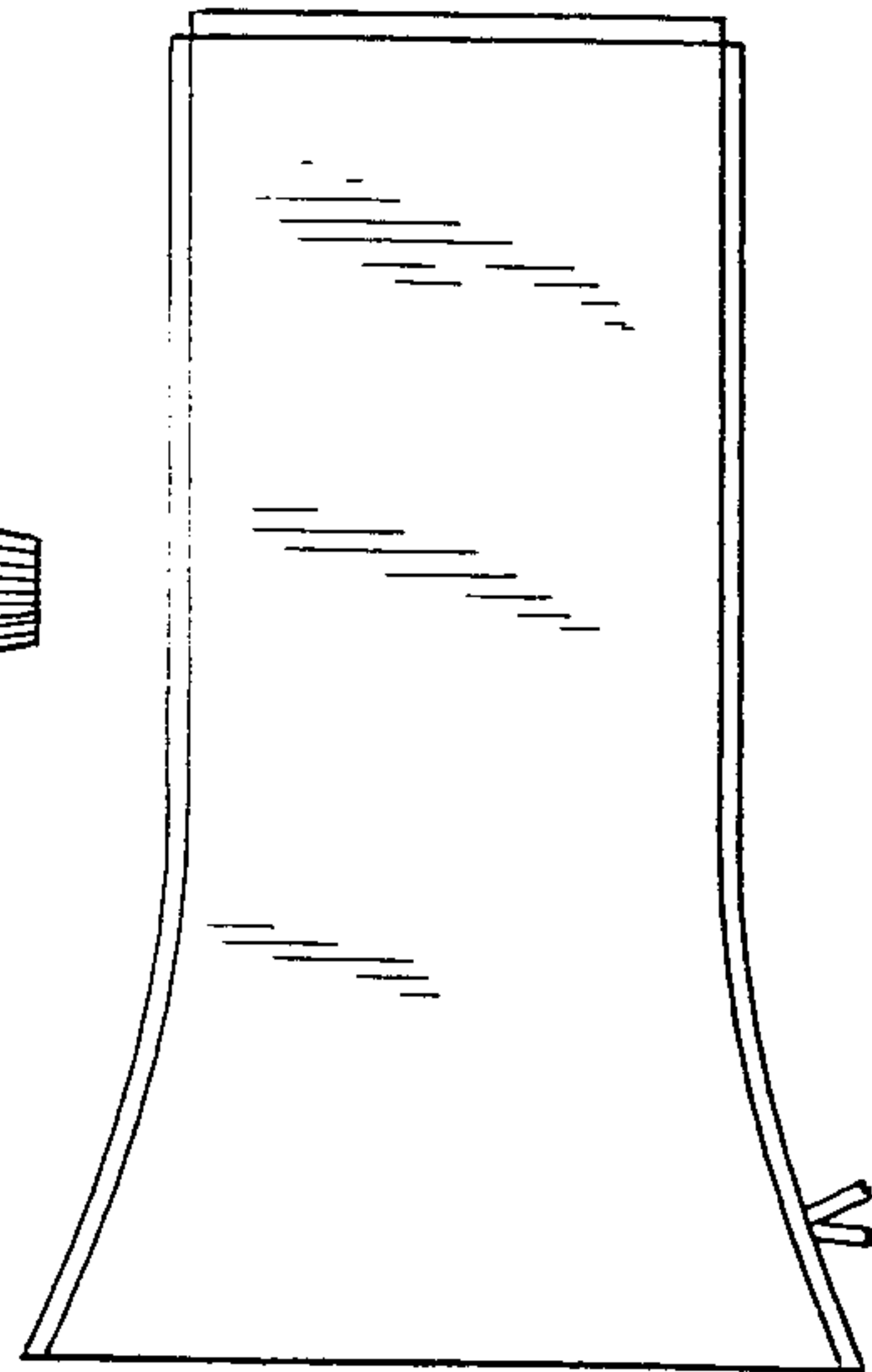


Fig. 11.

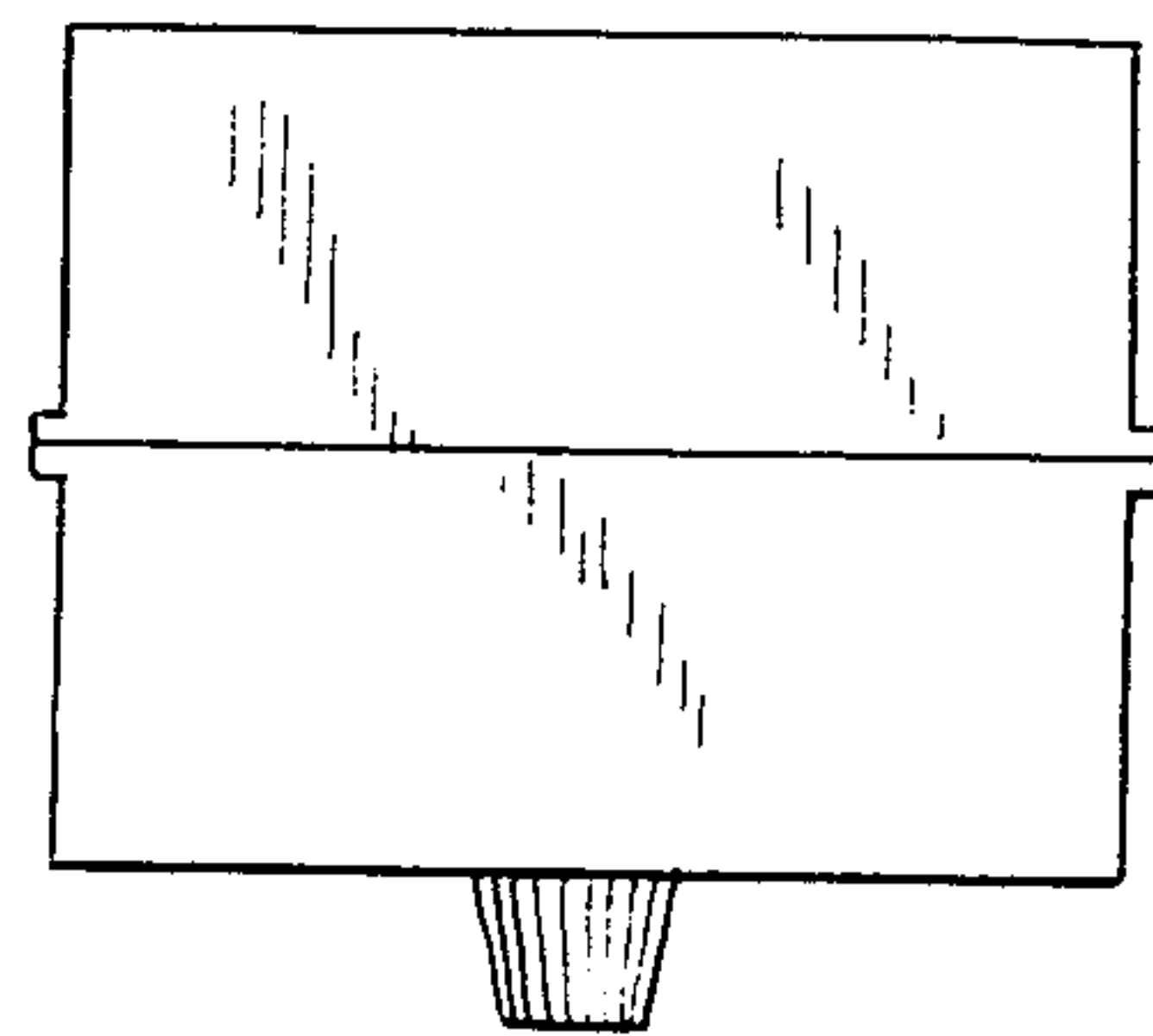


Fig. 12.