

[54] DISPENSER FOR AIR TREATING MATERIAL

[75] Inventor: Yves Joyaux, Poitiers, France

[73] Assignee: Airwick Industries, Inc., Carlstadt, N.J.

[**] Term: 14 Years

[21] Appl. No.: 515,415

[22] Filed: Jul. 20, 1983

[30] Foreign Application Priority Data

Jan. 24, 1983 [ES] Spain 103287

[52] U.S. Cl. D23/150

[58] Field of Search D23/149, 150; 239/34-60

[56] References Cited

U.S. PATENT DOCUMENTS

- D. 212,753 11/1968 Tugham D23/150
- D. 235,648 7/1975 Anderson D23/150
- D. 237,620 11/1975 Jones et al. D23/150
- D. 246,318 11/1977 Layton et al. D23/150
- D. 251,984 5/1979 Gombert et al. D23/150
- D. 268,361 3/1983 Von Philipp et al. D23/150
- 2,642,310 6/1953 Meek et al. 239/35
- 2,657,090 10/1953 Meek 239/59 X

- 3,908,906 9/1975 Crowle et al. 239/58
- 3,910,495 10/1975 Cummings et al. 239/58
- 4,154,398 5/1979 Gvalaudi 239/59

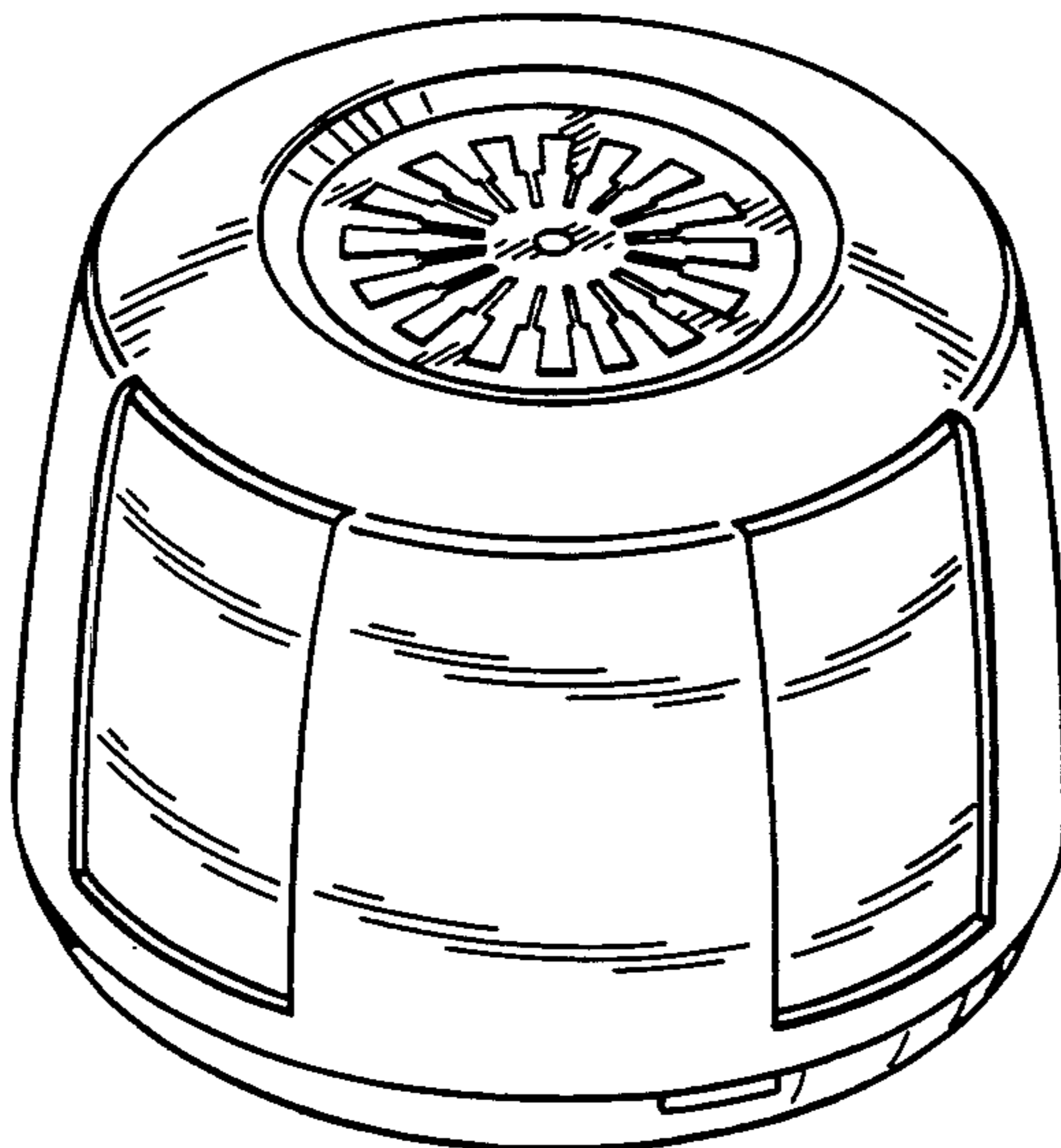
Primary Examiner—James R. Largen
Attorney, Agent, or Firm—Harry Falber

[57] CLAIM

The ornamental design for dispenser for air treating material, as shown and described.

DESCRIPTION

FIG. 1 is a top perspective view of a dispenser for air treating material showing my new design;
 FIG. 2 is a side elevational view thereof;
 FIG. 3 is another side elevational view thereof, showing the dispenser in an open position;
 FIG. 4 is an exploded perspective view of FIG. 3;
 FIG. 5 is a side elevational view of the dispenser housing shown in FIG. 4;
 FIG. 6 is a top plan view of FIG. 5;
 FIG. 7 is a bottom plan view of FIG. 5;
 FIG. 8 is another elevational view of the housing shown in FIG. 5, but with the dispensing openings closed;
 FIG. 9 is a top plan view of FIG. 8;
 FIG. 10 is a top perspective view of a modified form of the dispenser for air treating material shown in FIG. 1;
 FIG. 11 is a side elevational view of FIG. 10; and
 FIG. 12 is a top plan view of FIG. 10.



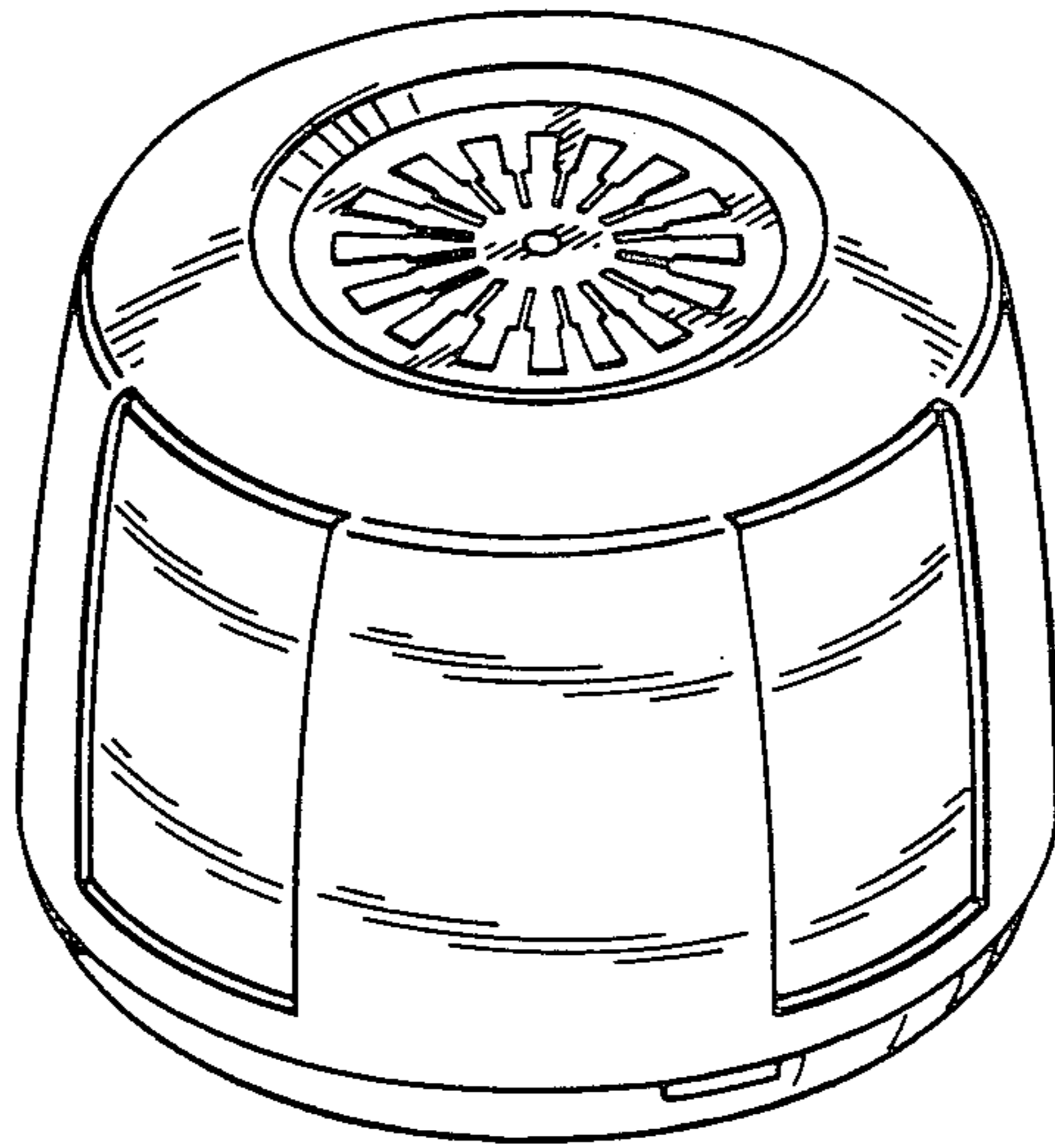


Fig. 1

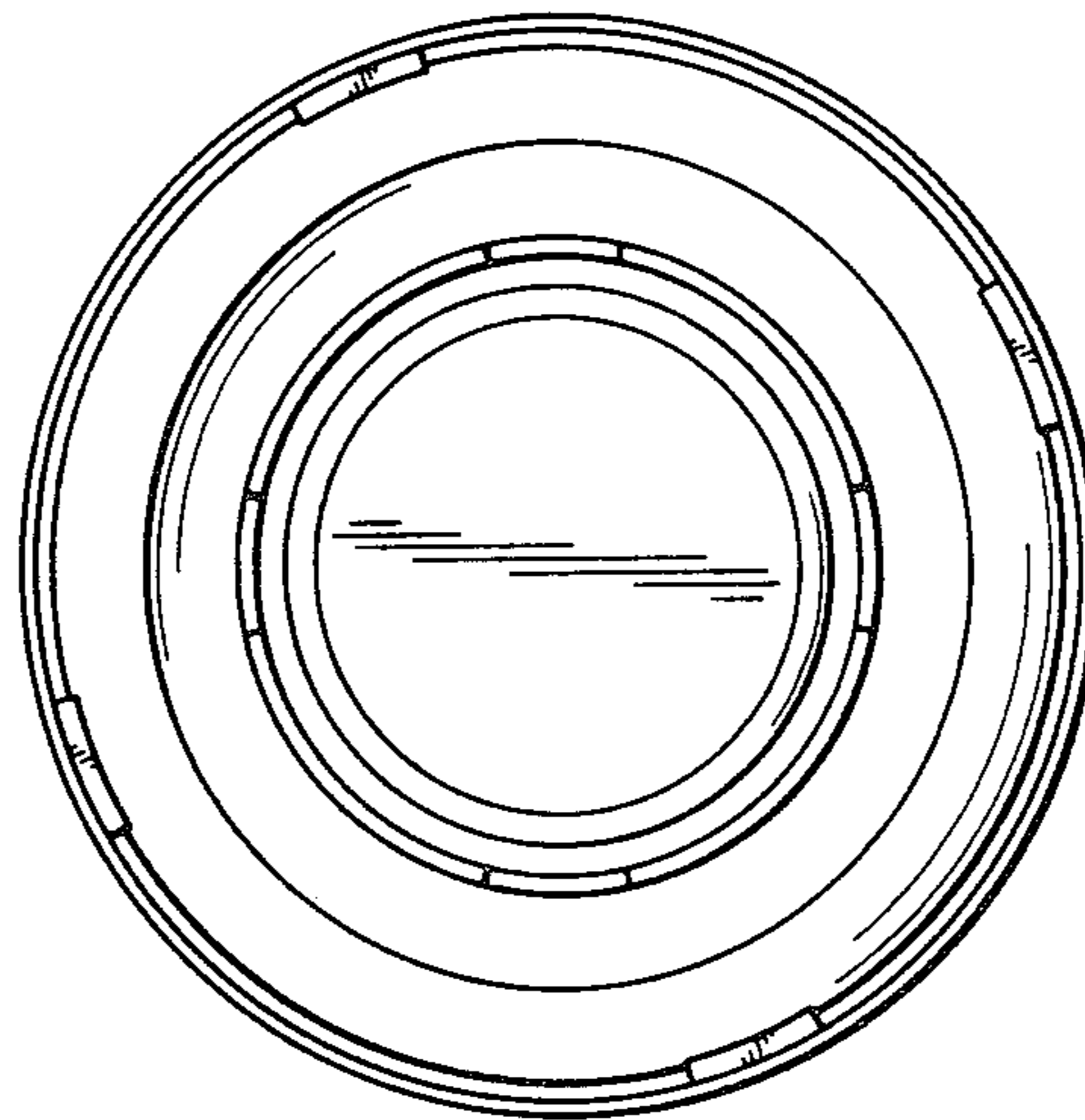


Fig. 7

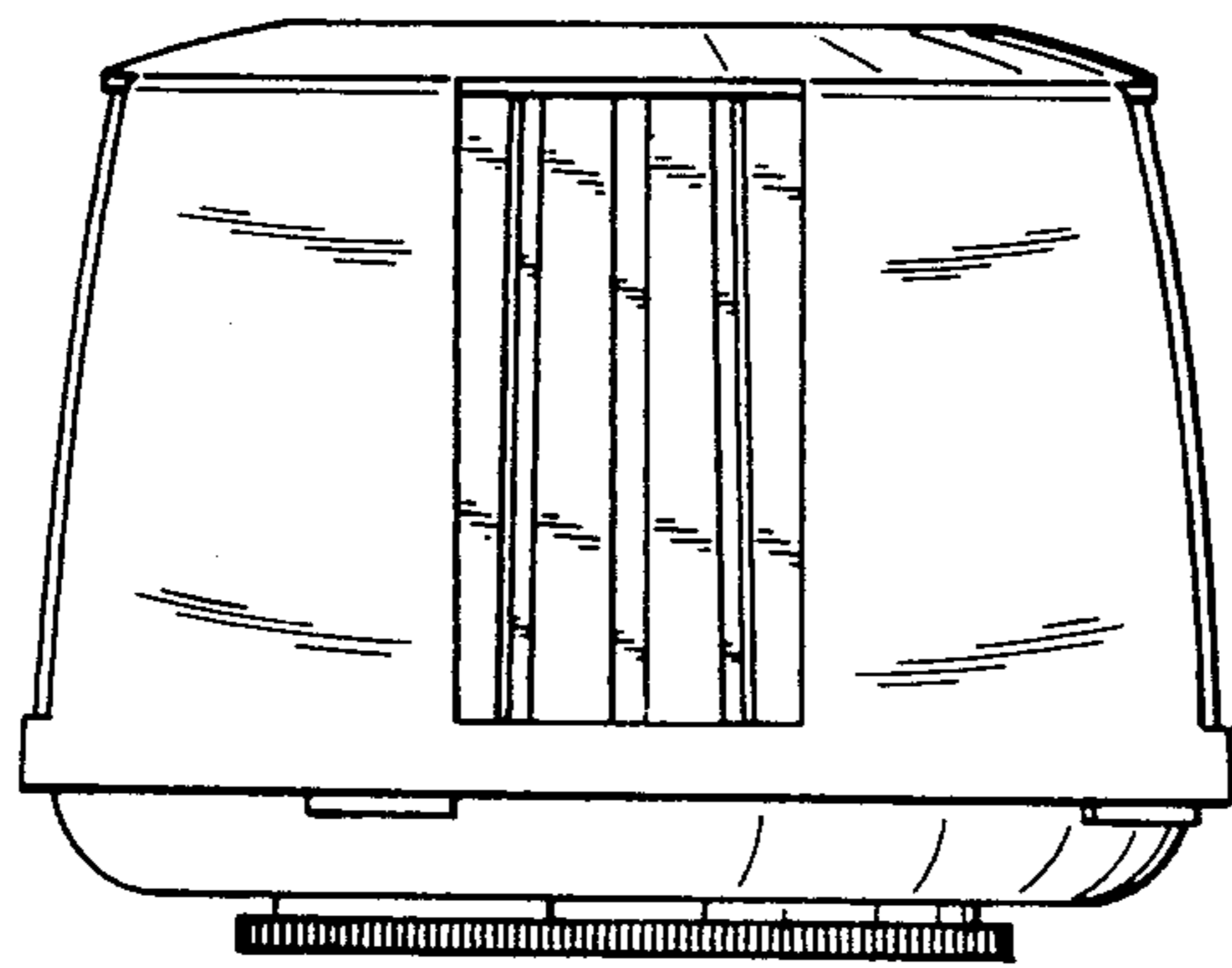


Fig. 1

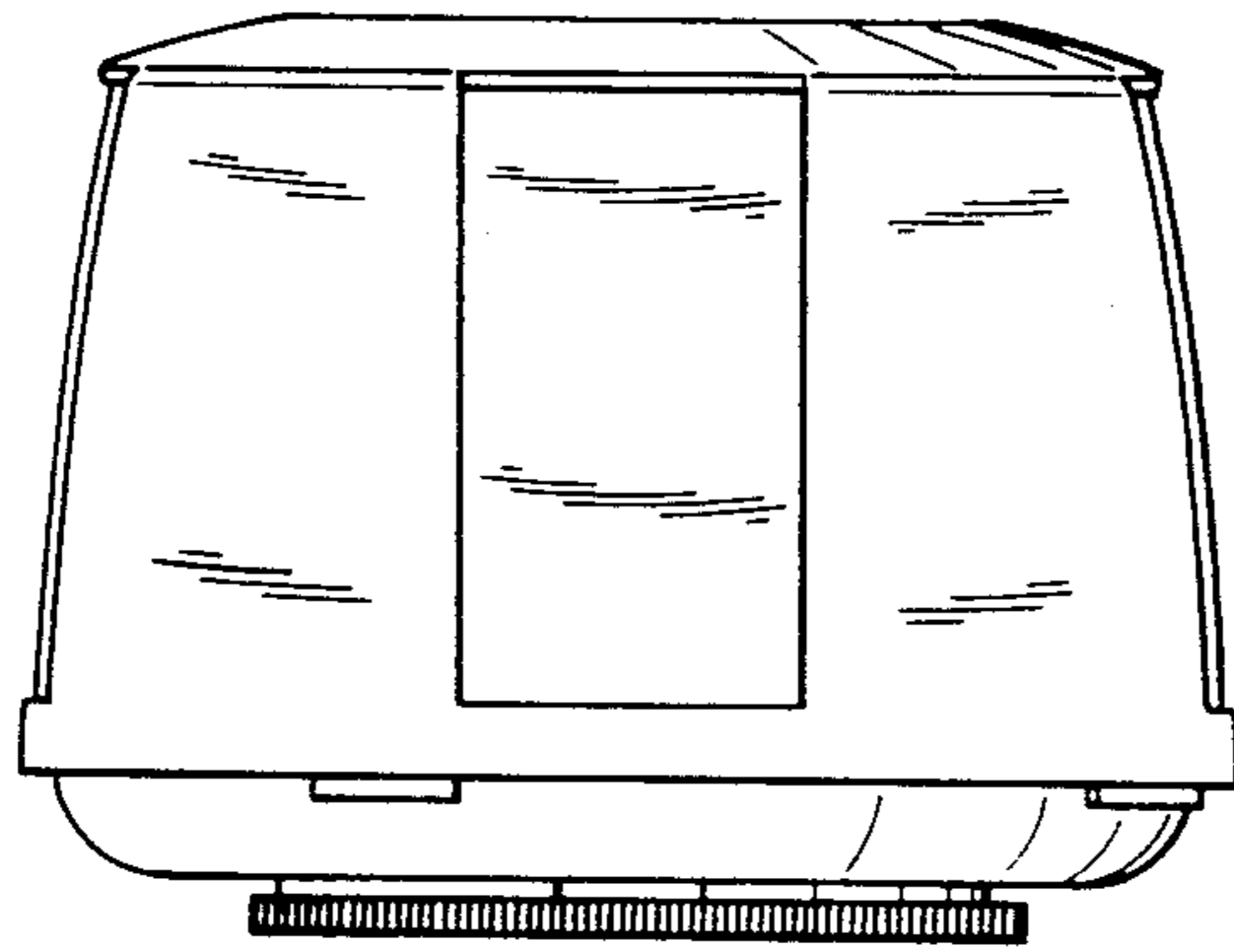


Fig. 2

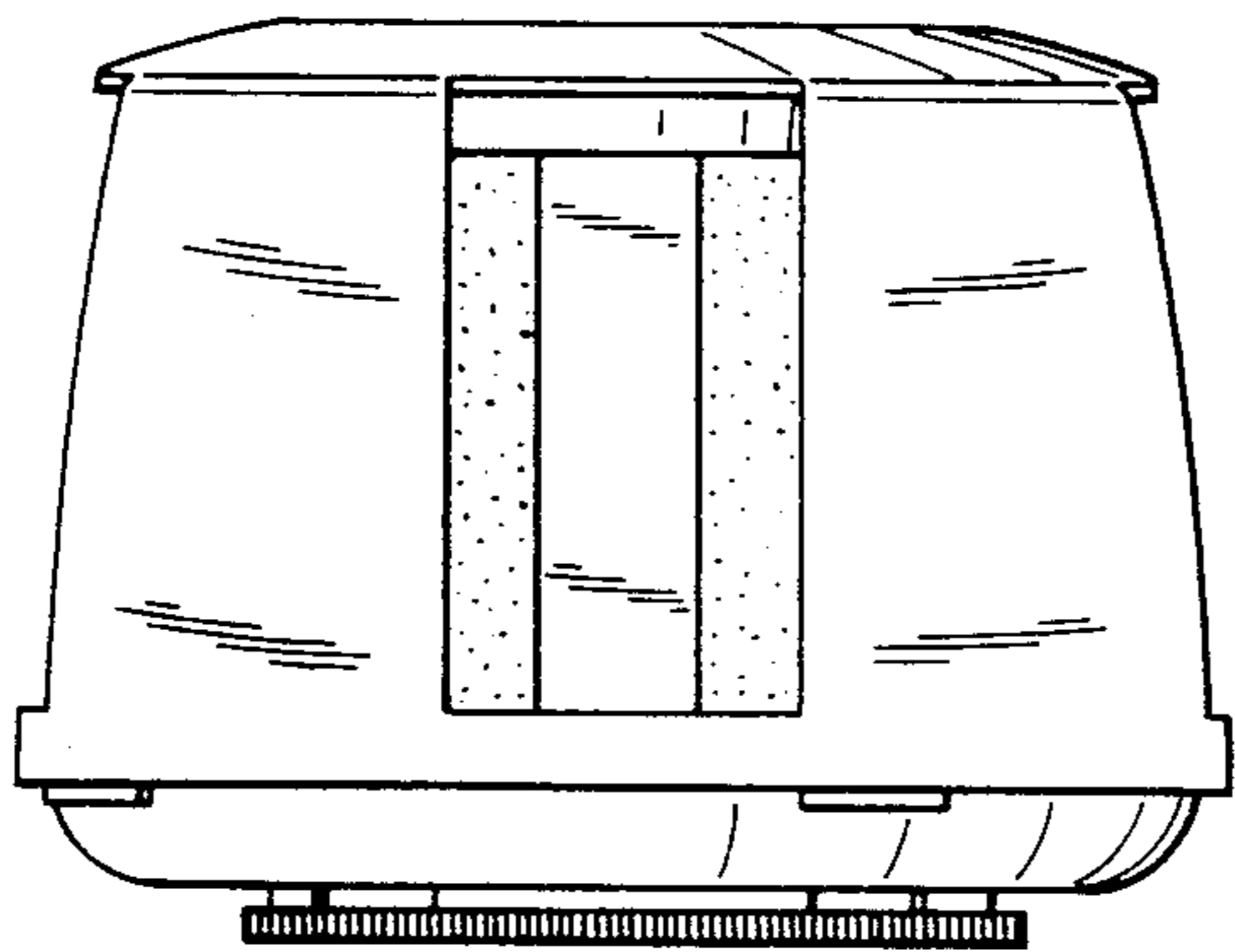


Fig. 3

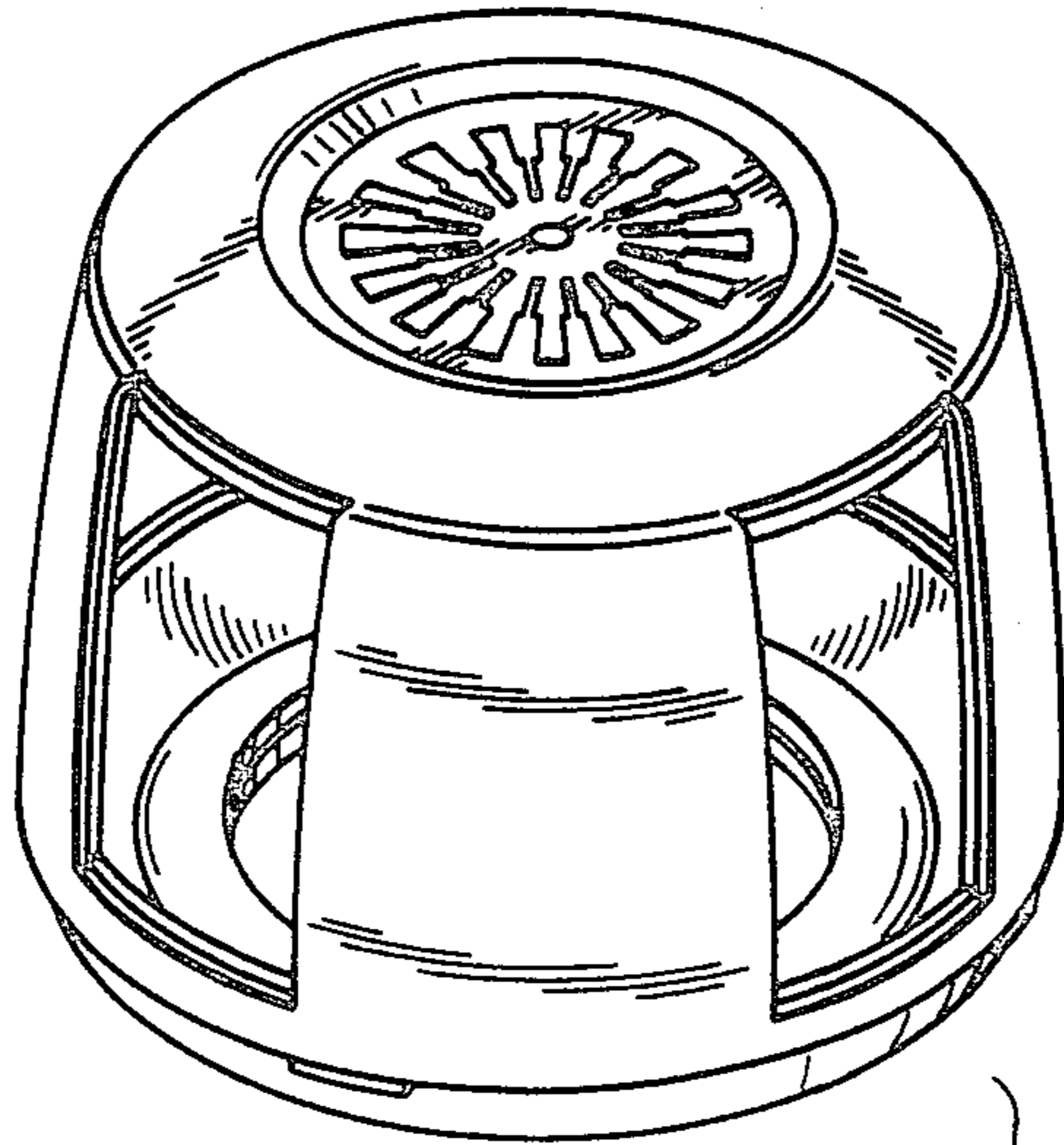


Fig. 4

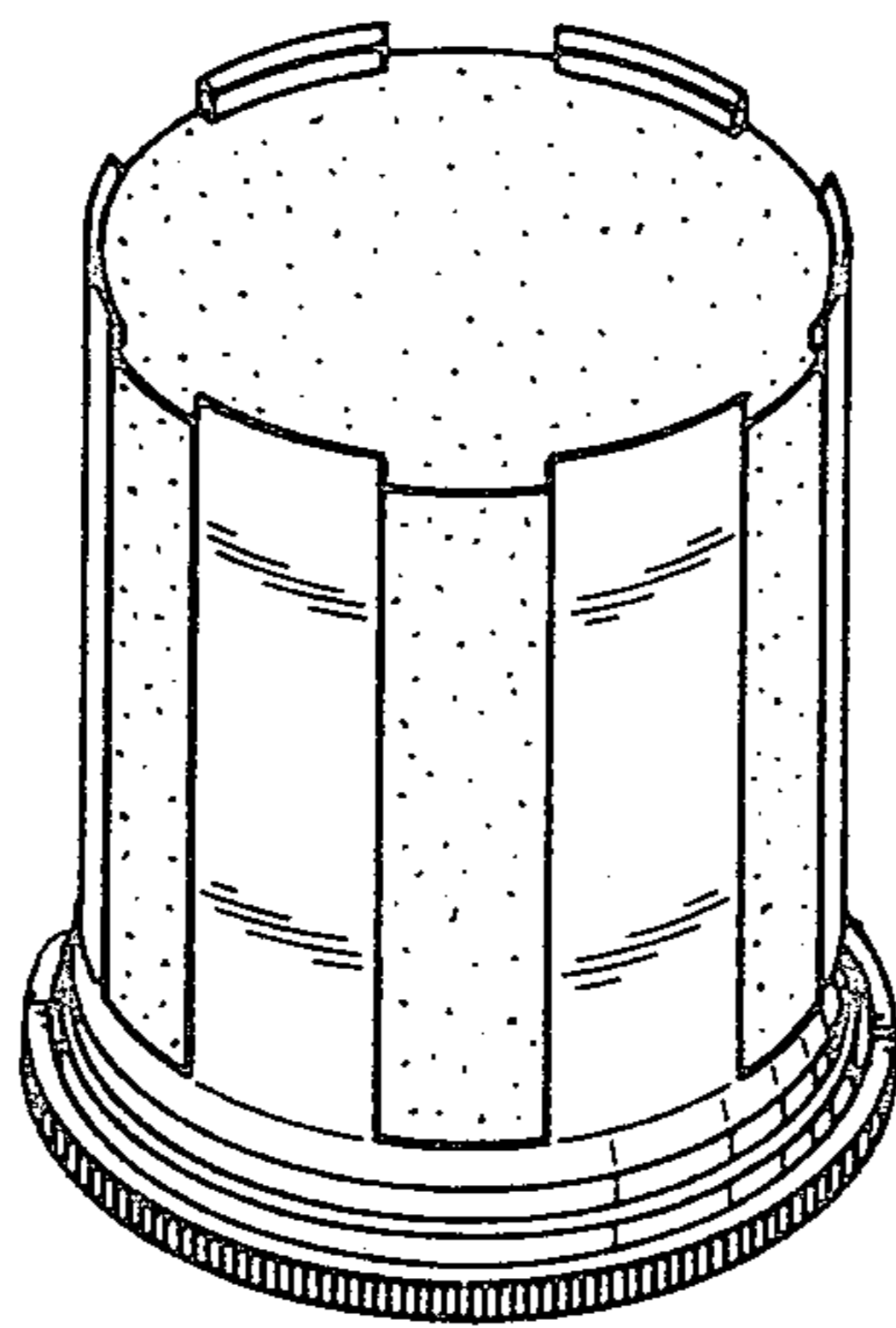


Fig.5

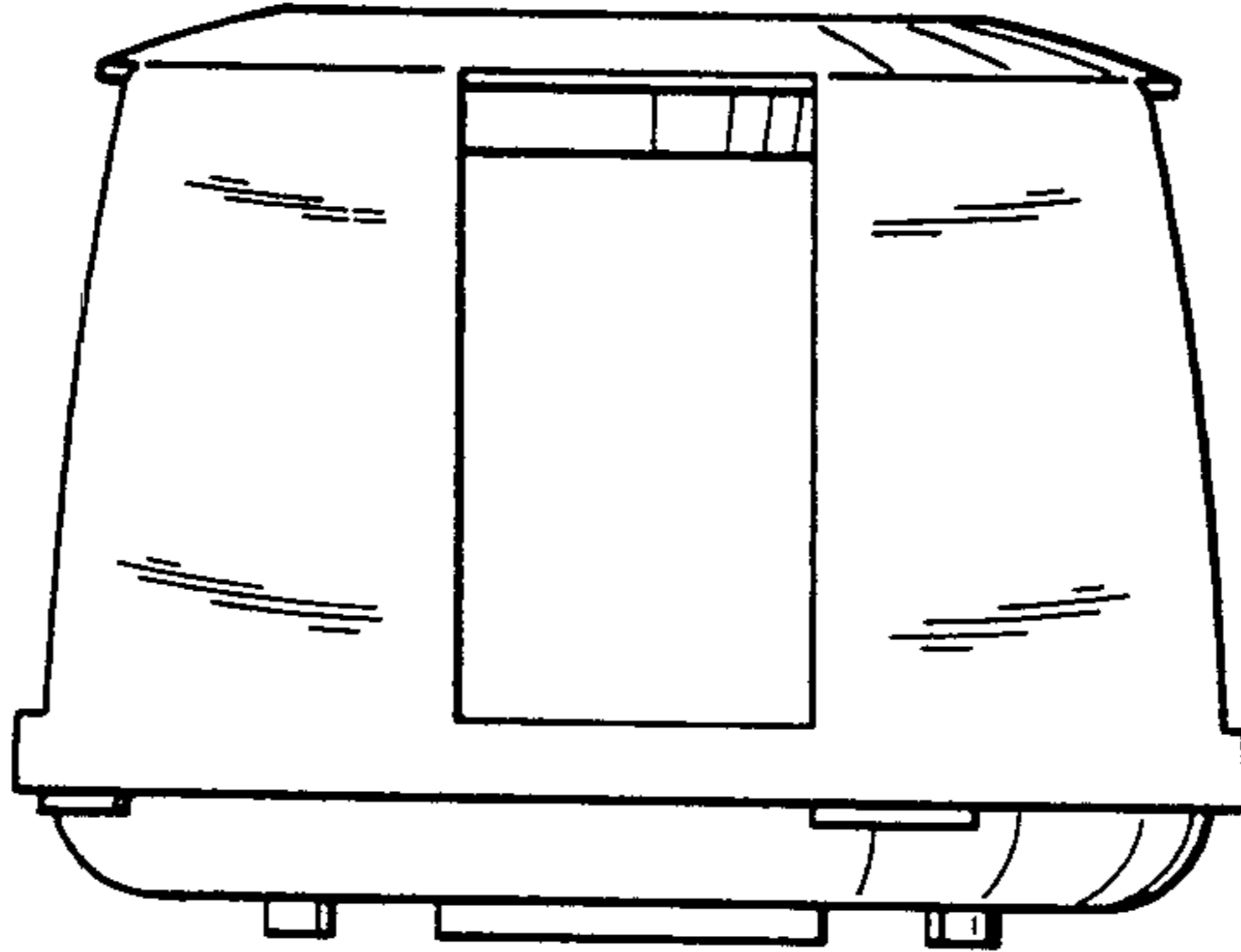


Fig.6

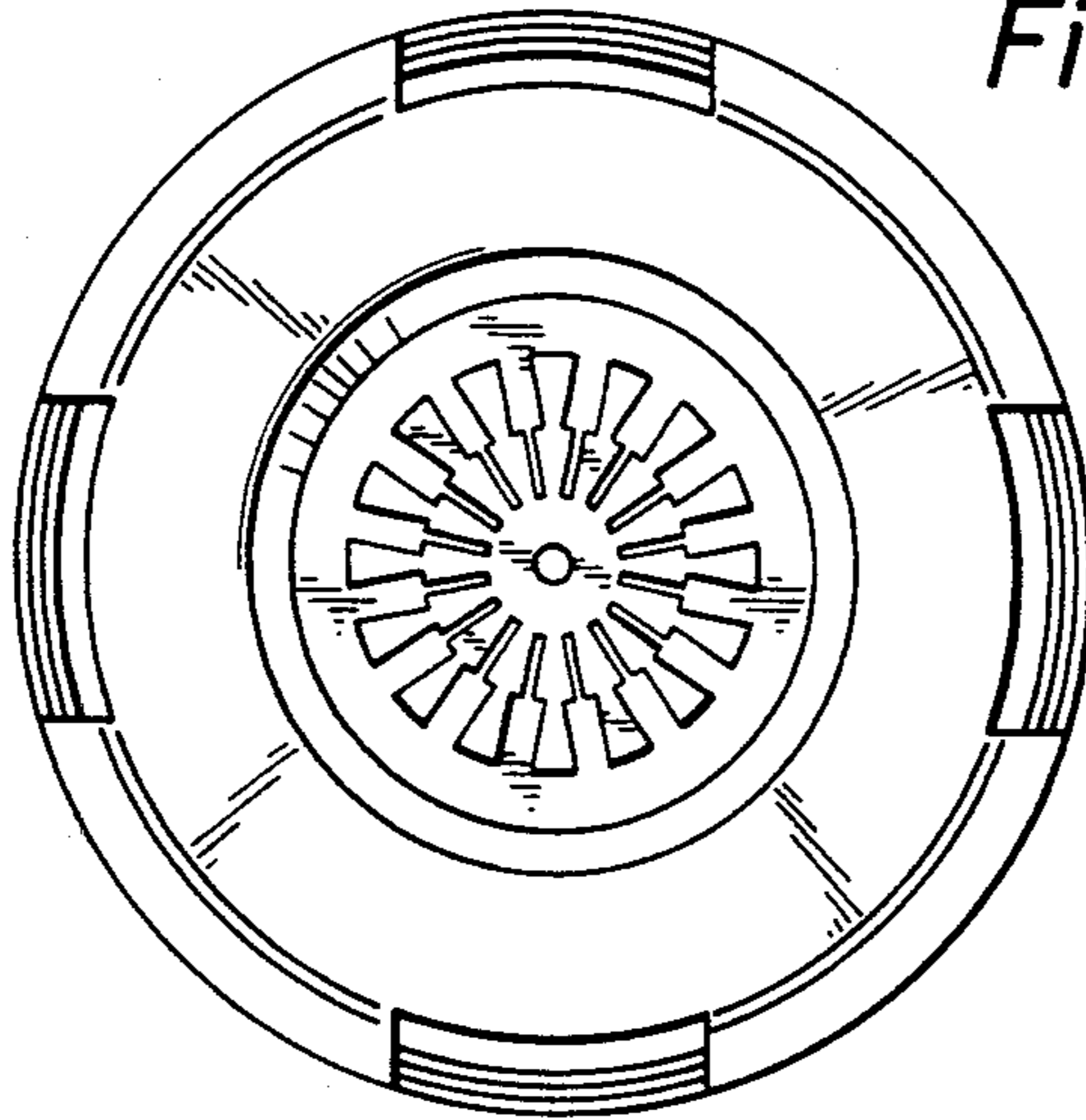


Fig. 8

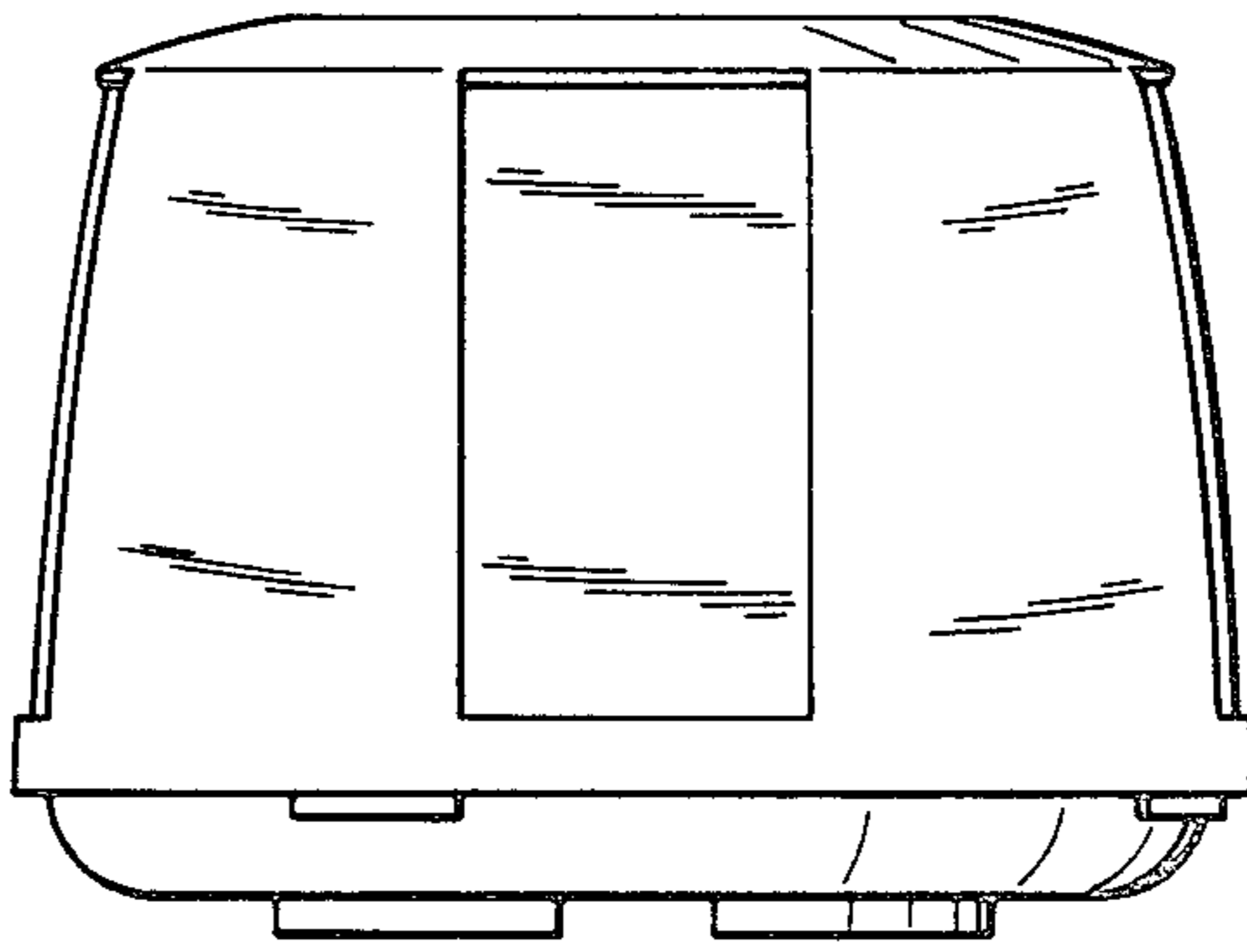
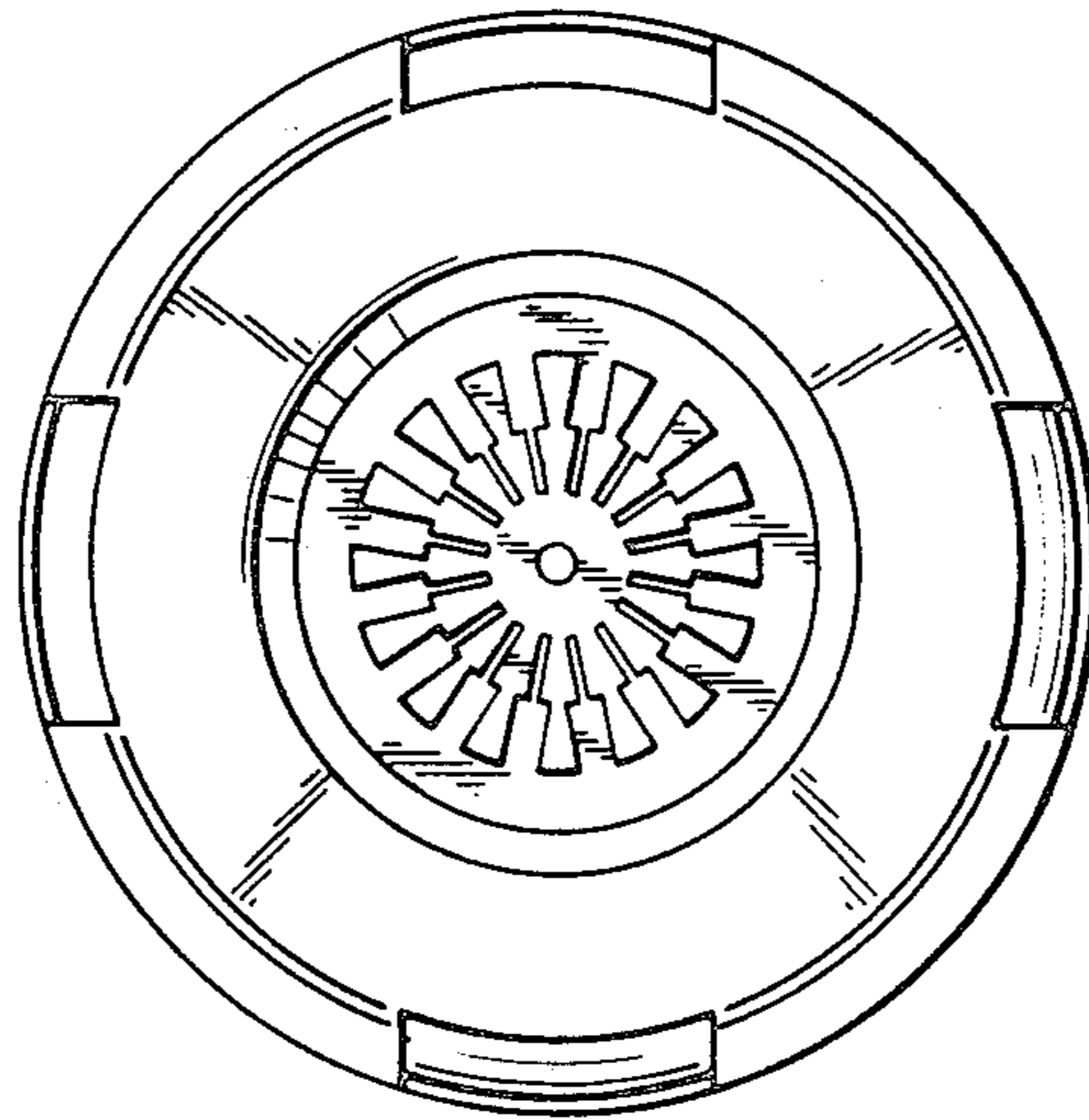


Fig. 9



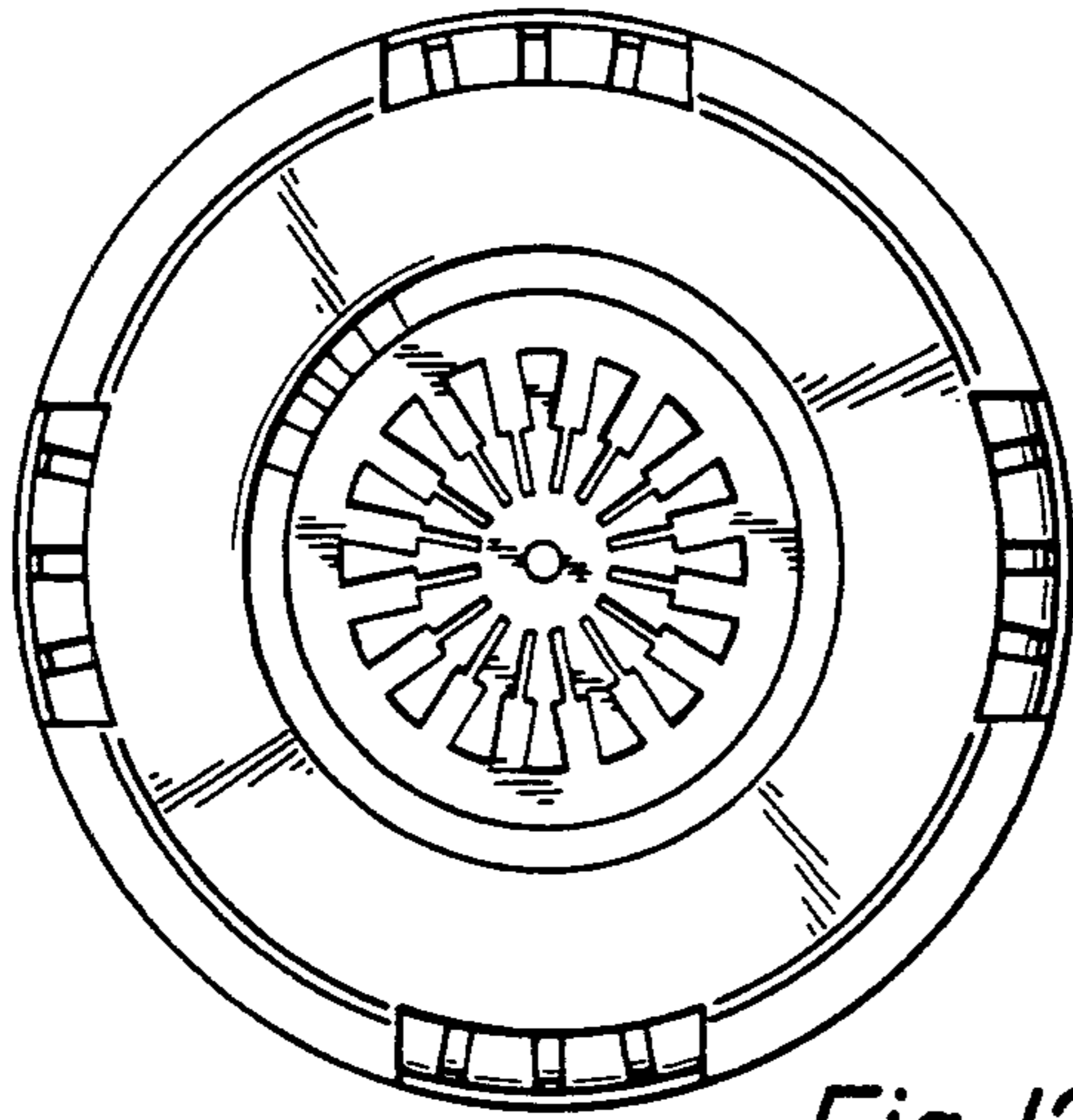


Fig. 12

Fig. 10

