

[54] THERMOPLASTIC PANEL FOR STORING A THERMAL ENERGY STORAGE MATERIAL

[75] Inventors: Wayne R. Hutter; Paul J. Moses; James E. Kosinski, all of Midland, Mich.

[73] Assignee: The Dow Chemical Company, Midland, Mich.

[**] Term: 14 Years

[21] Appl. No.: 494,473

[22] Filed: May 13, 1983

[52] U.S. Cl. D23/72; D25/80

[58] Field of Search 126/400, 430, 436; D25/80; D23/72, 73, 137, 127

[56]

References Cited

U.S. PATENT DOCUMENTS

D. 236,473	8/1975	Kerlin et al.	D23/127
D. 243,401	2/1977	Almen	D23/127
D. 261,030	9/1981	King	D23/72
4,442,827	4/1984	Helman et al.	126/430
4,452,231	6/1984	El-Shayeb	126/426 X
4,495,937	1/1985	Fisher	126/400 X

Primary Examiner—A. Hugo Word
Attorney, Agent, or Firm—Nis H. Juhl

[57]

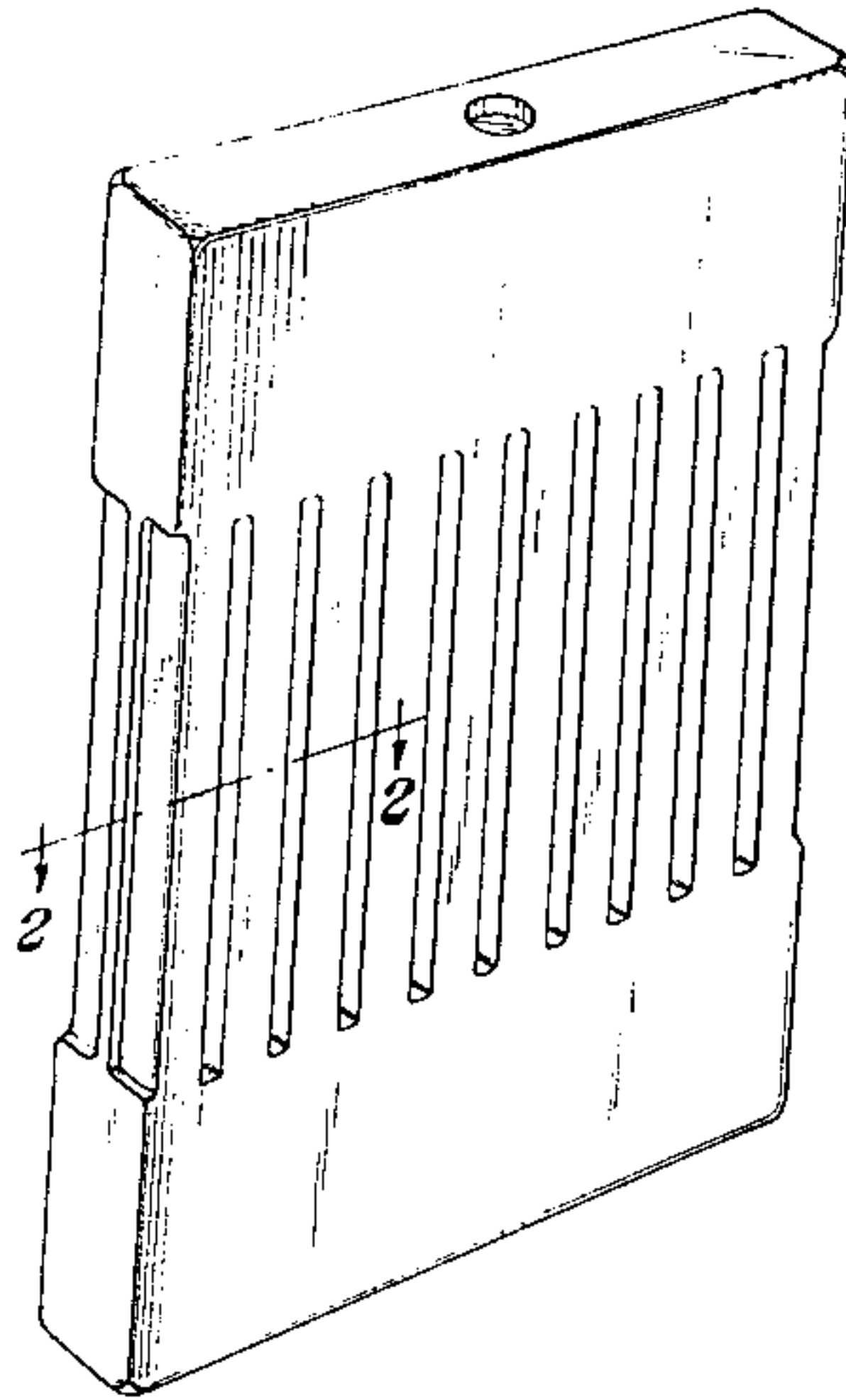
CLAIM

The ornamental design for a thermoplastic panel for storing a thermal energy storage material, as shown.

DESCRIPTION

FIG. 1 is a front perspective view of a thermoplastic panel for storing a thermal energy storage material showing my new design;

FIG. 2 is a cross-sectional view taken along line 2—2 of FIG. 1;



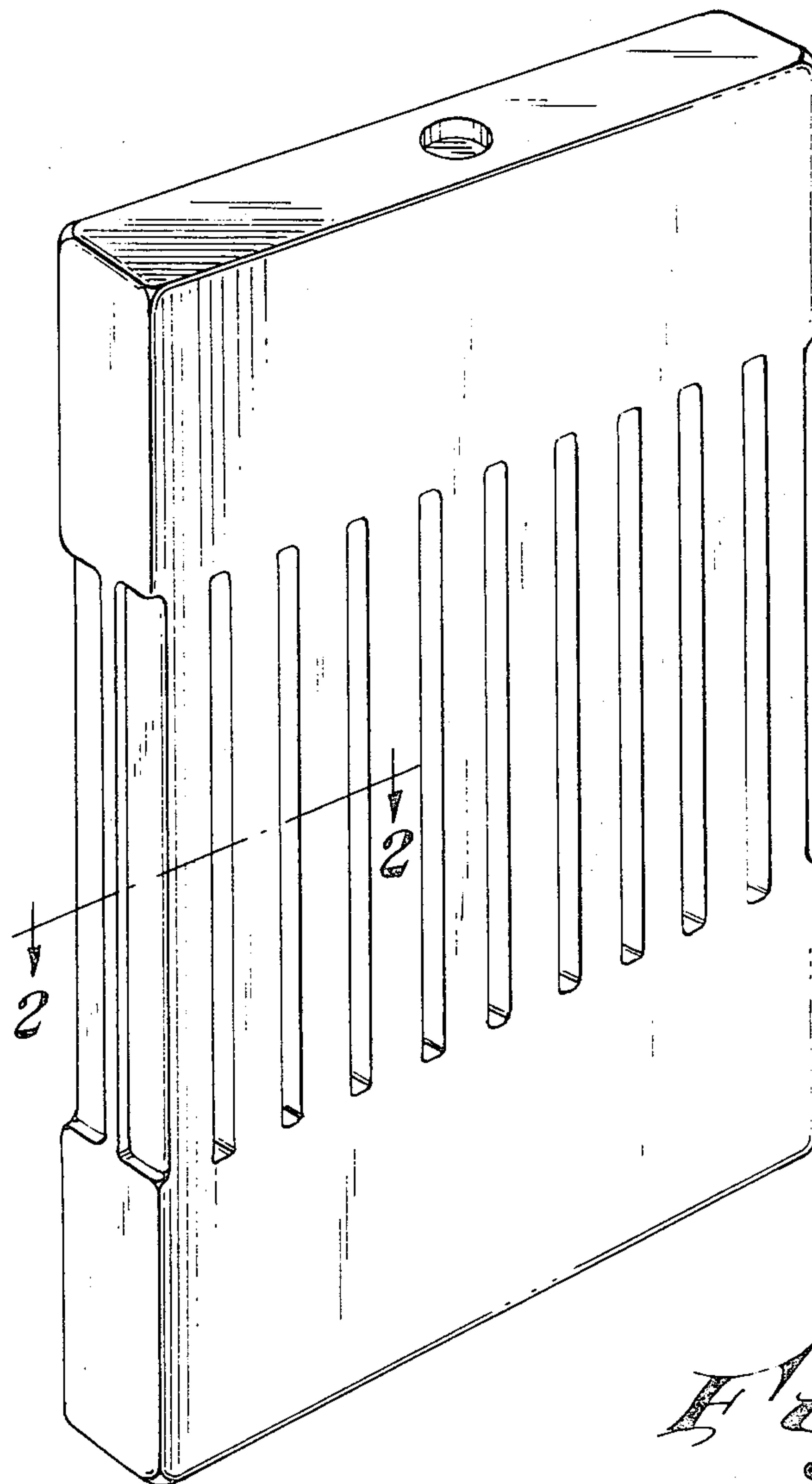


Fig. 1

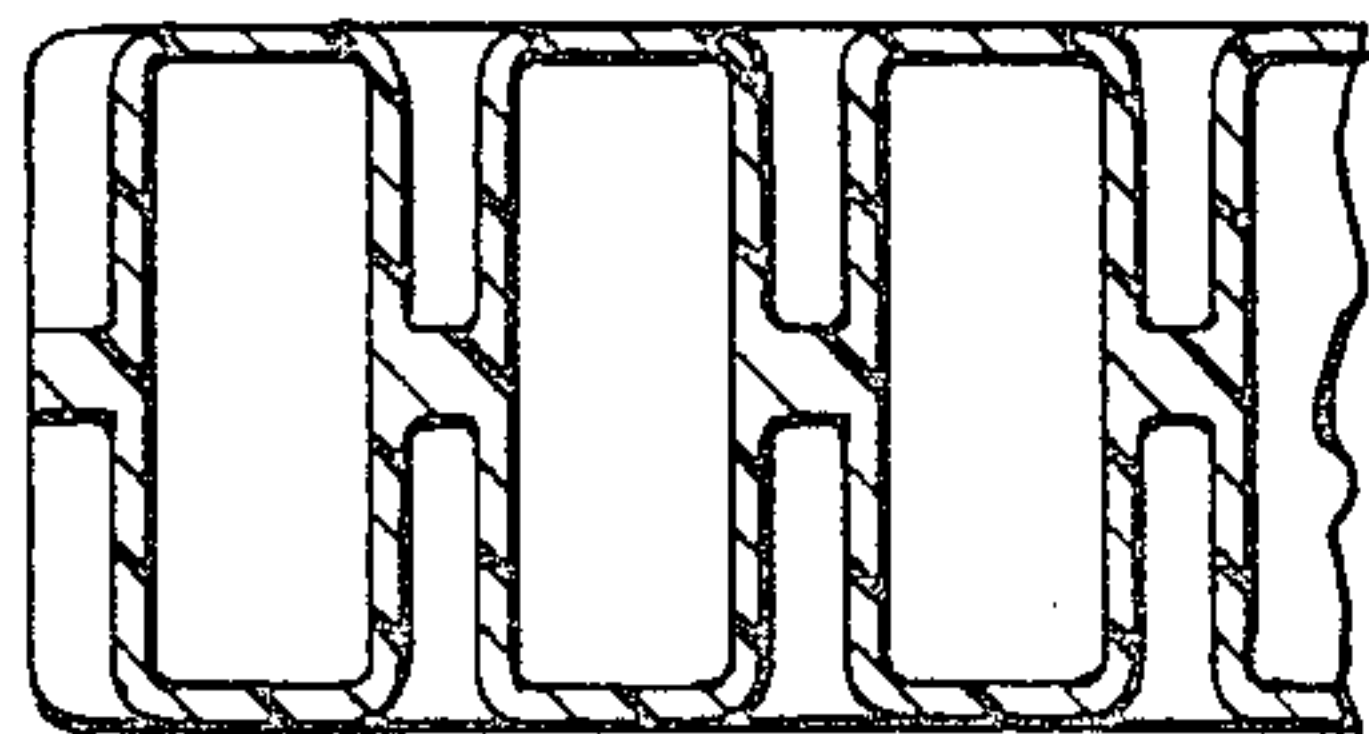


Fig. 2