

[54] SIT-UP EXERCISE ANCHOR

[76] Inventor: Ray D. Durushia, 4241 Second St., NE., Columbia Heights, Minn. 55421

[**] Term: 14 Years

[21] Appl. No.: 549,172

[22] Filed: Nov. 7, 1983

[52] U.S. Cl. D21/191

[58] Field of Search D21/191-198; 272/93, 144, 145, 900, 140

[56] References Cited

U.S. PATENT DOCUMENTS

D. 193,940	10/1962	Campion	D21/191
D. 277,218	1/1985	Hinds	D21/191
1,905,019	4/1933	Turner .	
1,953,857	4/1934	Hunter .	
1,969,165	8/1934	Turner .	
2,050,652	8/1936	Fleming .	
3,134,592	5/1964	Sharkey .	
3,287,016	11/1966	Mayer .	
3,628,790	12/1971	Gordon .	
4,116,434	9/1978	Bernstein	D21/191
4,121,825	10/1978	Hult .	
4,176,835	12/1979	Aziz .	
4,182,509	1/1980	Chupp, Jr. .	
4,182,510	1/1980	Lundell	272/93
4,185,816	1/1980	Bernstein	D21/195
4,212,458	7/1980	Bizilia .	
4,230,313	10/1980	Chupp, Jr. .	
4,323,235	4/1982	Schwarz	272/93
4,429,868	2/1984	LeBlanc et al.	272/144

OTHER PUBLICATIONS

Camalier & Buckley, Holiday Catalog, 1979, p. 17, Item "E", Back Support.

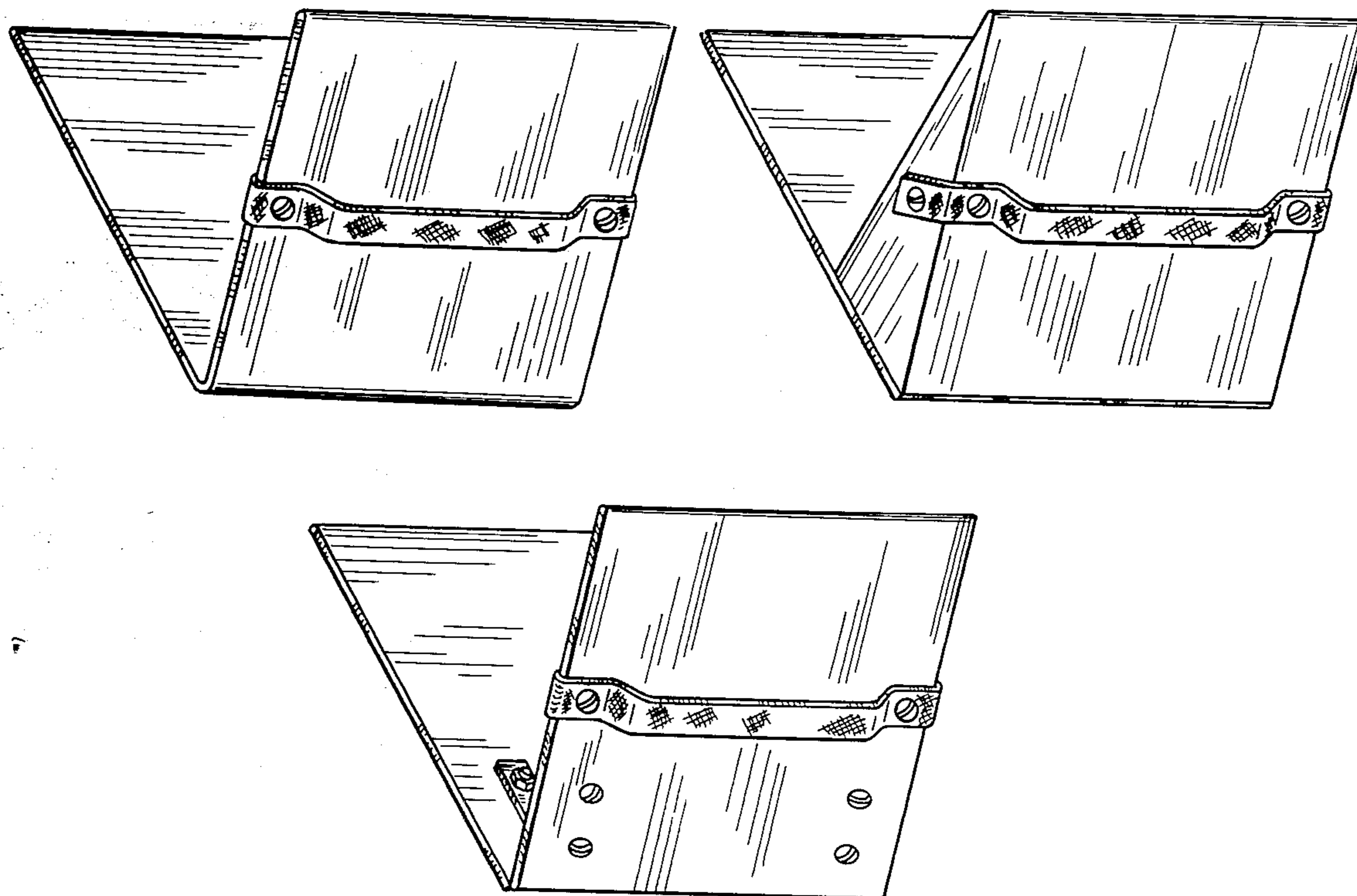
Primary Examiner—Charles A. Rademaker
Attorney, Agent, or Firm—Burd, Bartz & Gutenkauf

[57] CLAIM

The ornamental design for a sit-up exercise anchor, substantially as shown and described.

DESCRIPTION

FIG. 1 is a perspective view of a sit-up exercise anchor showing my new design;
 FIG. 2 is a front elevational view thereof;
 FIG. 3 is a top plan view thereof;
 FIG. 4 is a side elevational view thereof, the side opposite being a mirror image;
 FIG. 5 is a bottom plan view thereof;
 FIG. 6 is a rear elevational view thereof;
 FIG. 7 is a perspective view of a modified form of the design shown in FIGS. 1 through 6;
 FIG. 8 is a front elevational view thereof;
 FIG. 9 is a top plan view thereof;
 FIG. 10 is a side elevational view thereof, the side opposite being a mirror image;
 FIG. 11 is a bottom plan view thereof;
 FIG. 12 is a rear elevational view thereof;
 FIG. 13 is a perspective view of a second modified form of the design shown in FIGS. 1 through 6;
 FIG. 14 is a front elevational view thereof;
 FIG. 15 is a top plan view thereof;
 FIG. 16 is a side elevational view thereof, the side opposite being a mirror image;
 FIG. 17 is a bottom plan view thereof;
 FIG. 18 is a rear elevational view thereof.



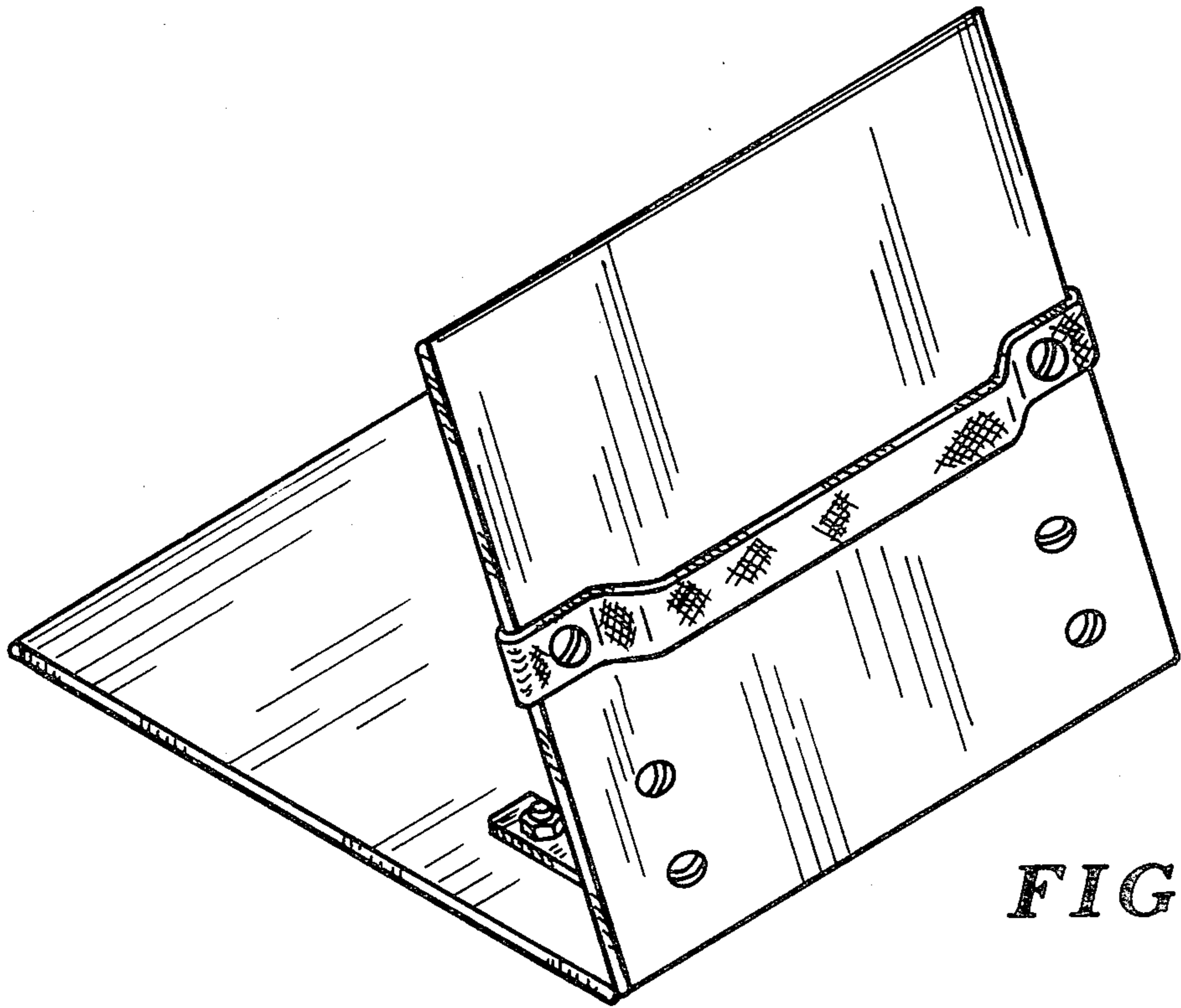


FIG. 1

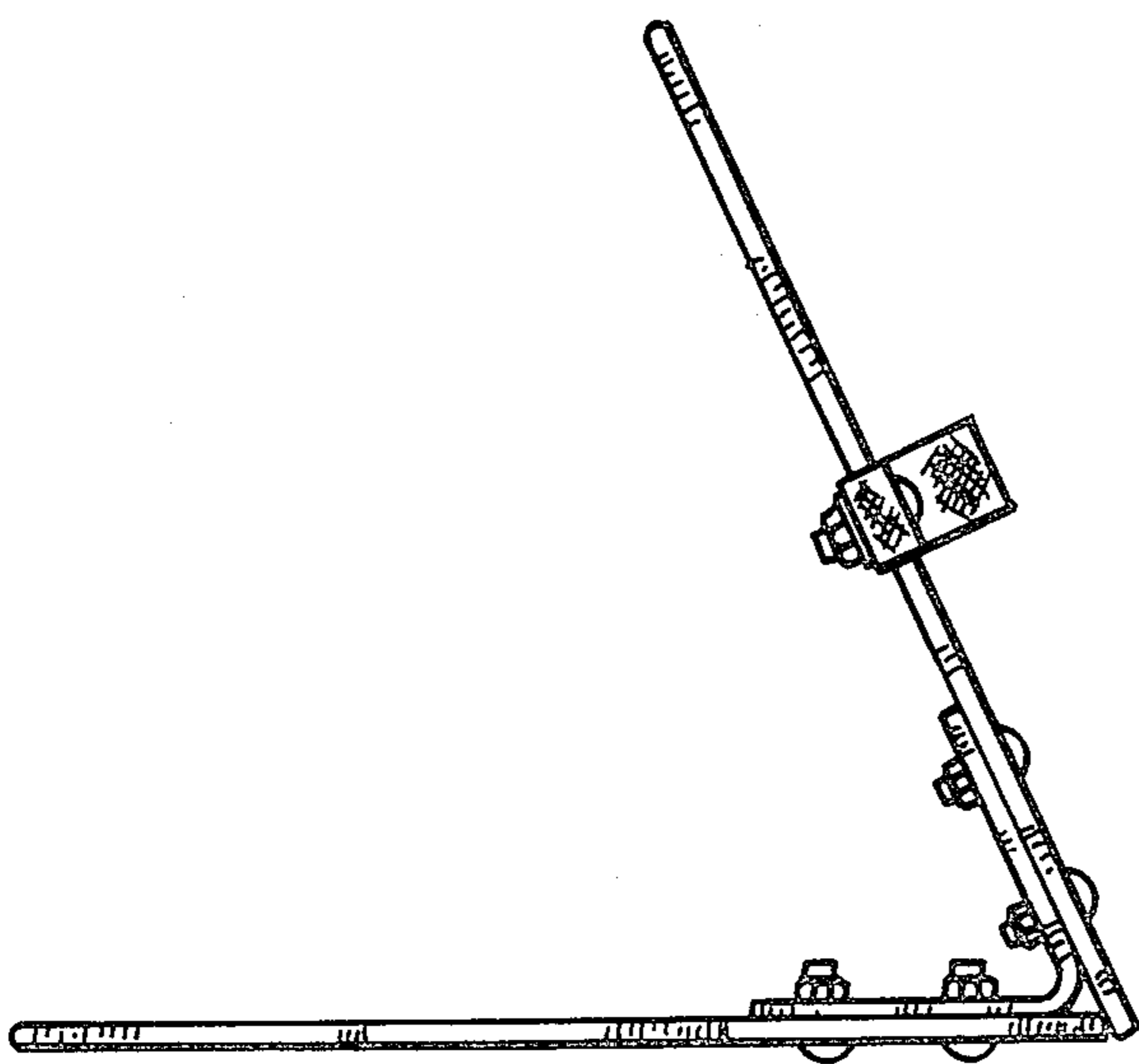


FIG. 4

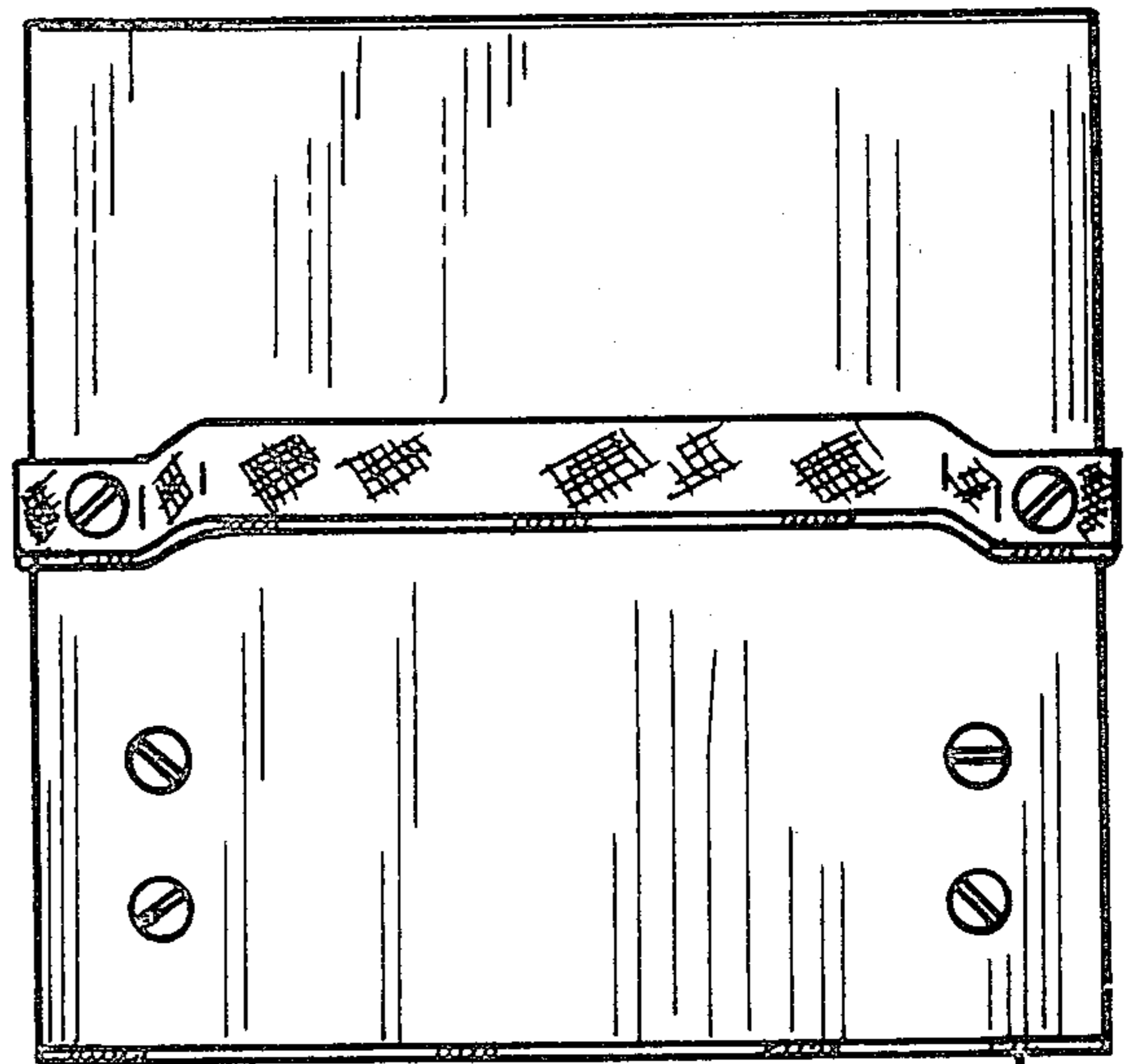


FIG. 2

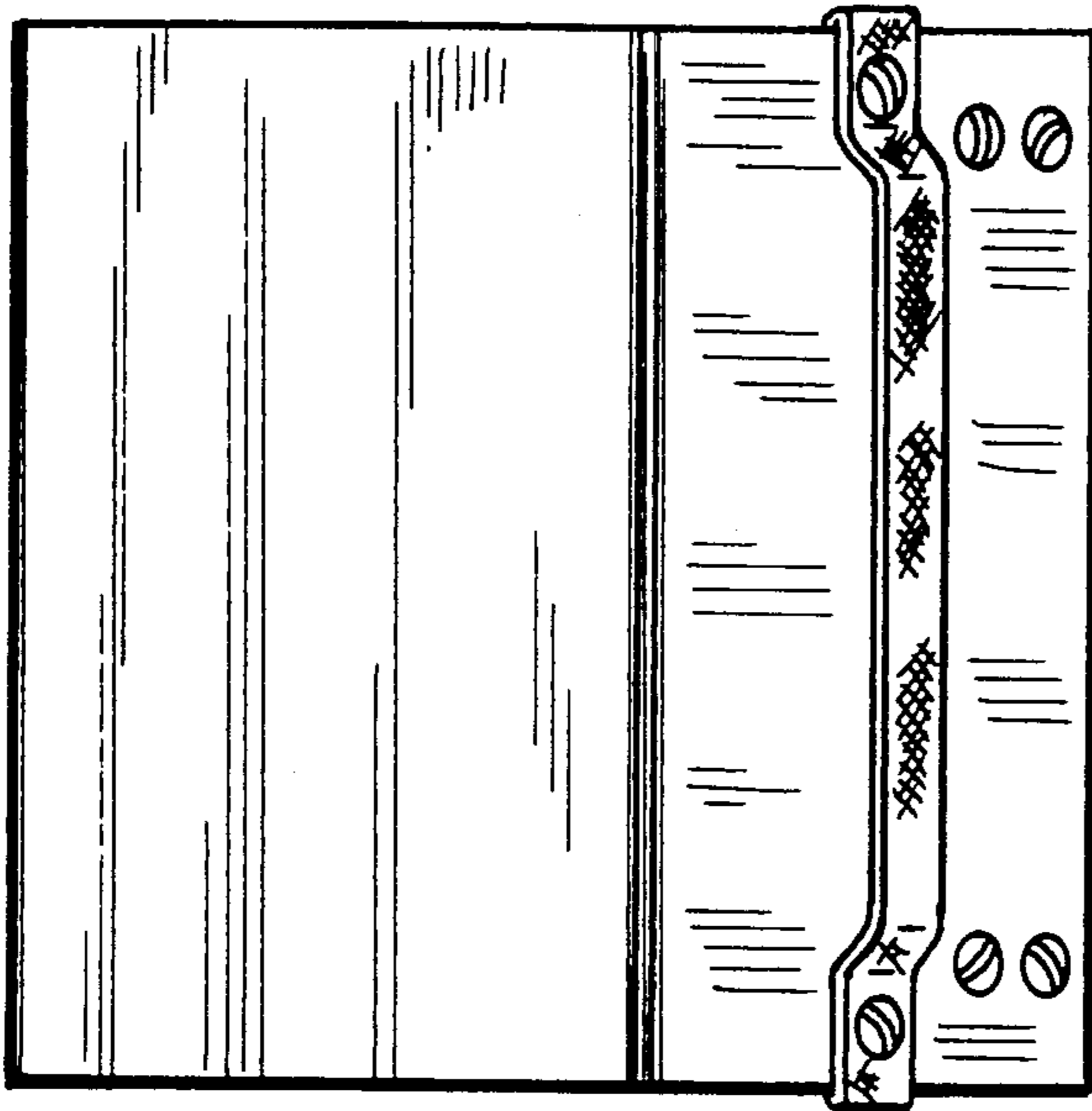


FIG. 3

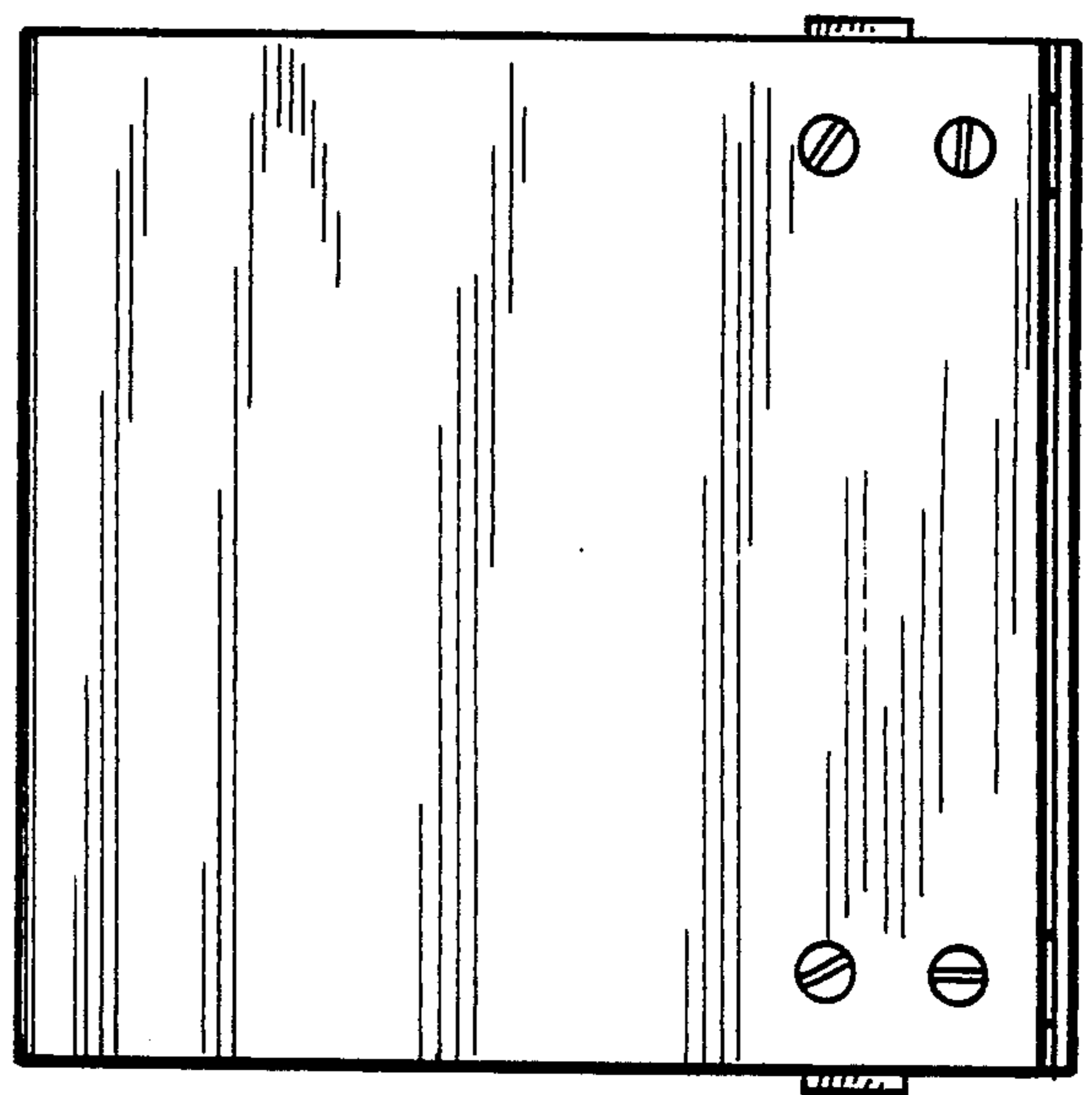


FIG. 5

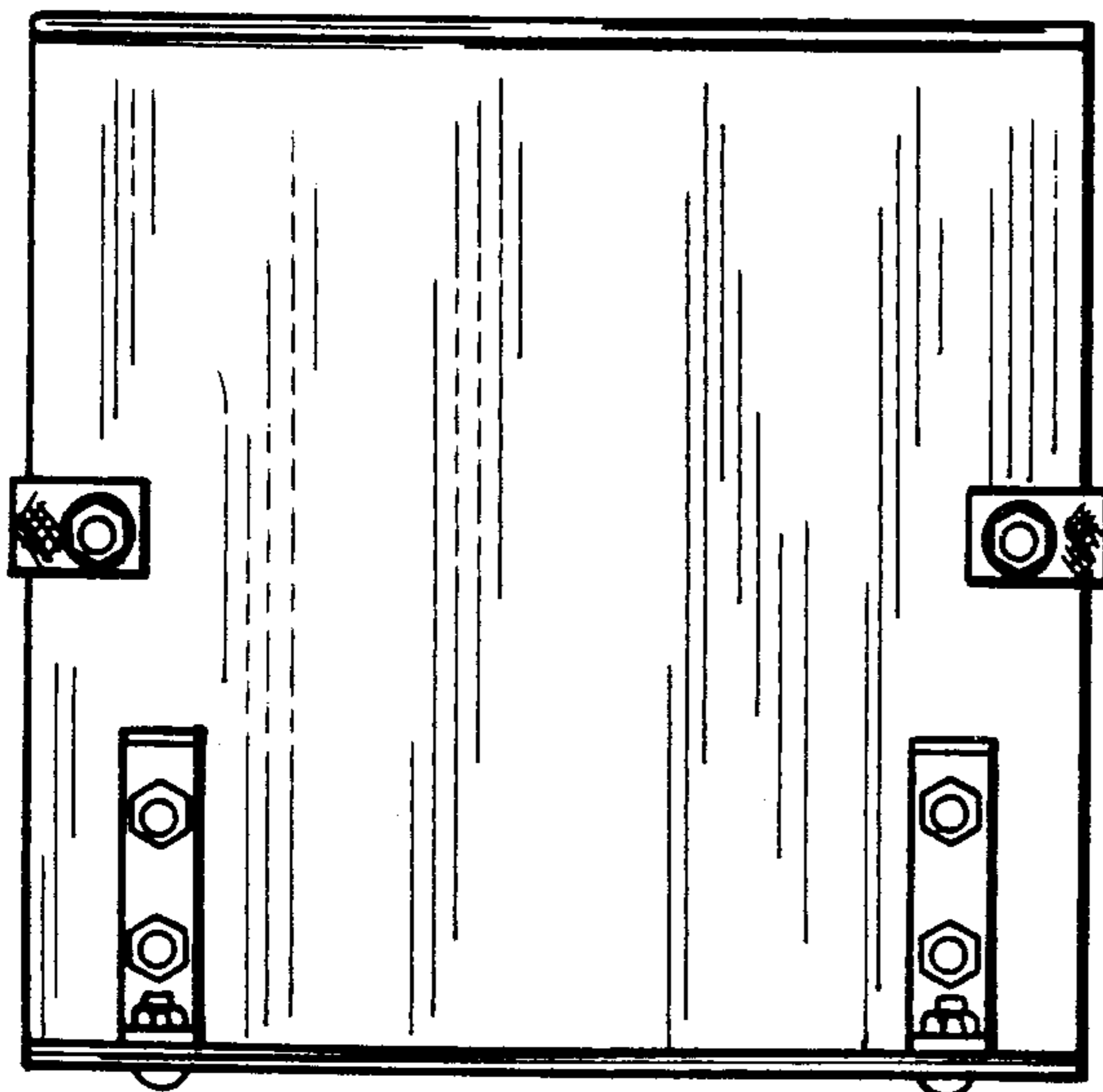


FIG. 6

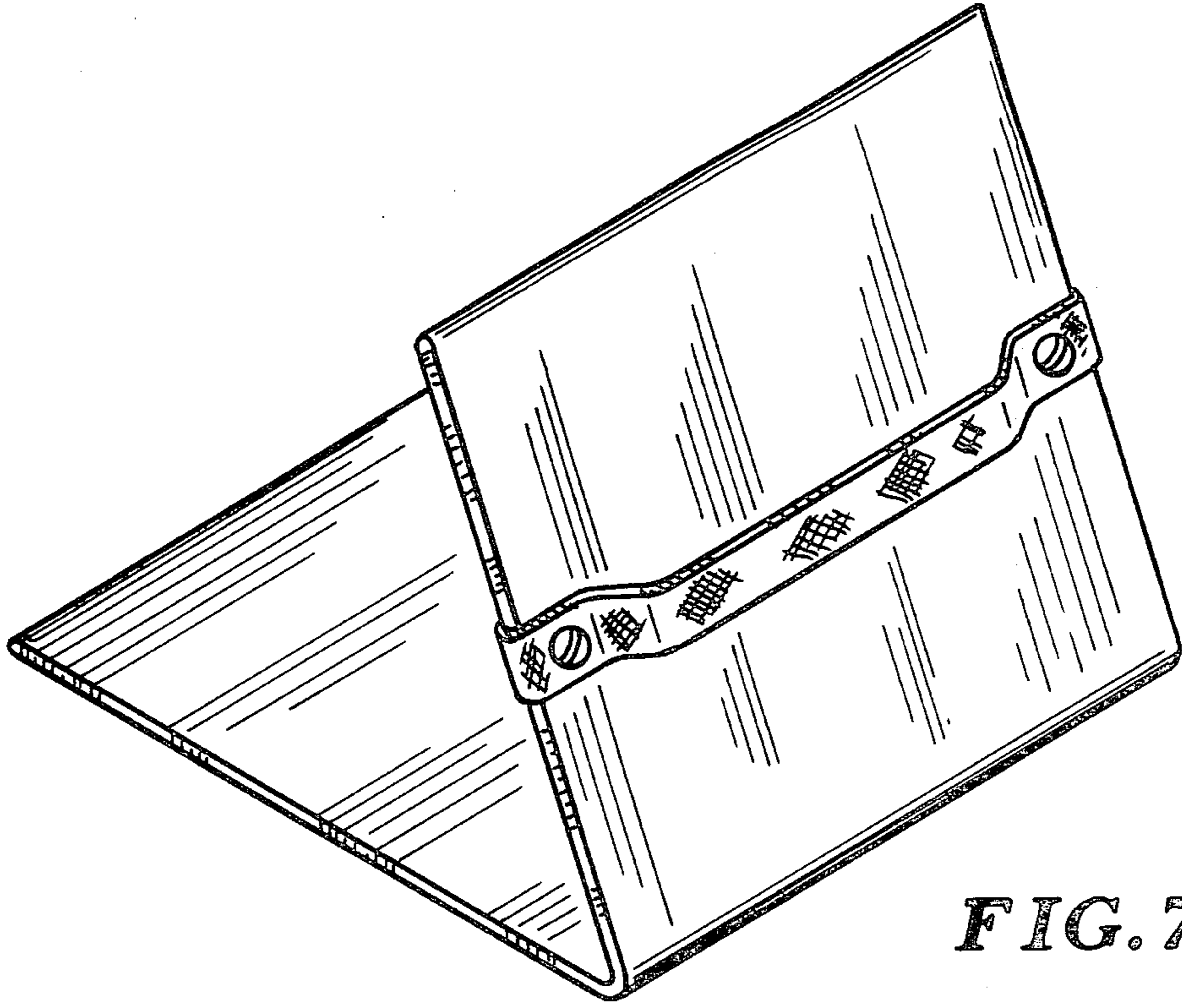


FIG. 7

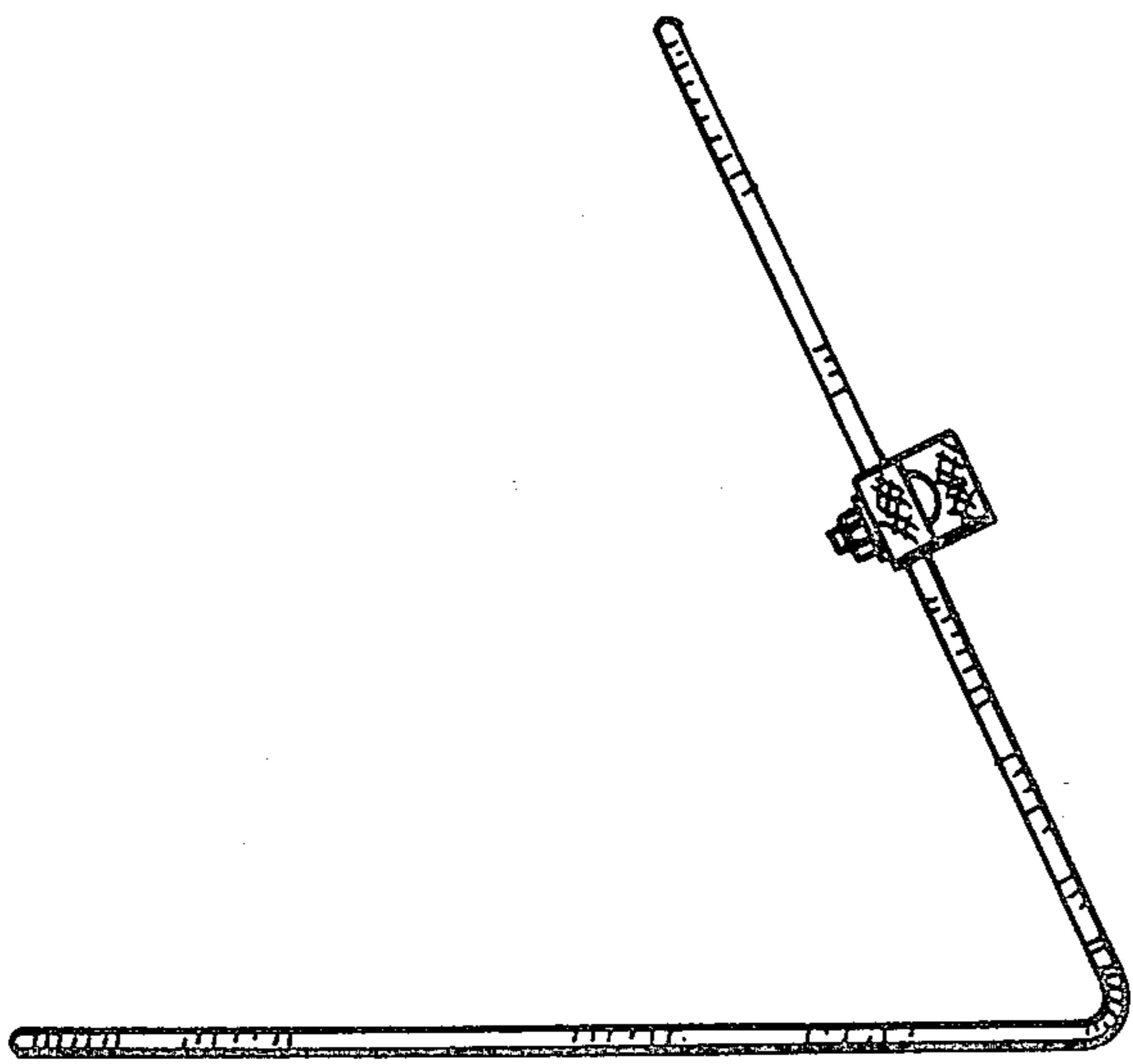


FIG. 10

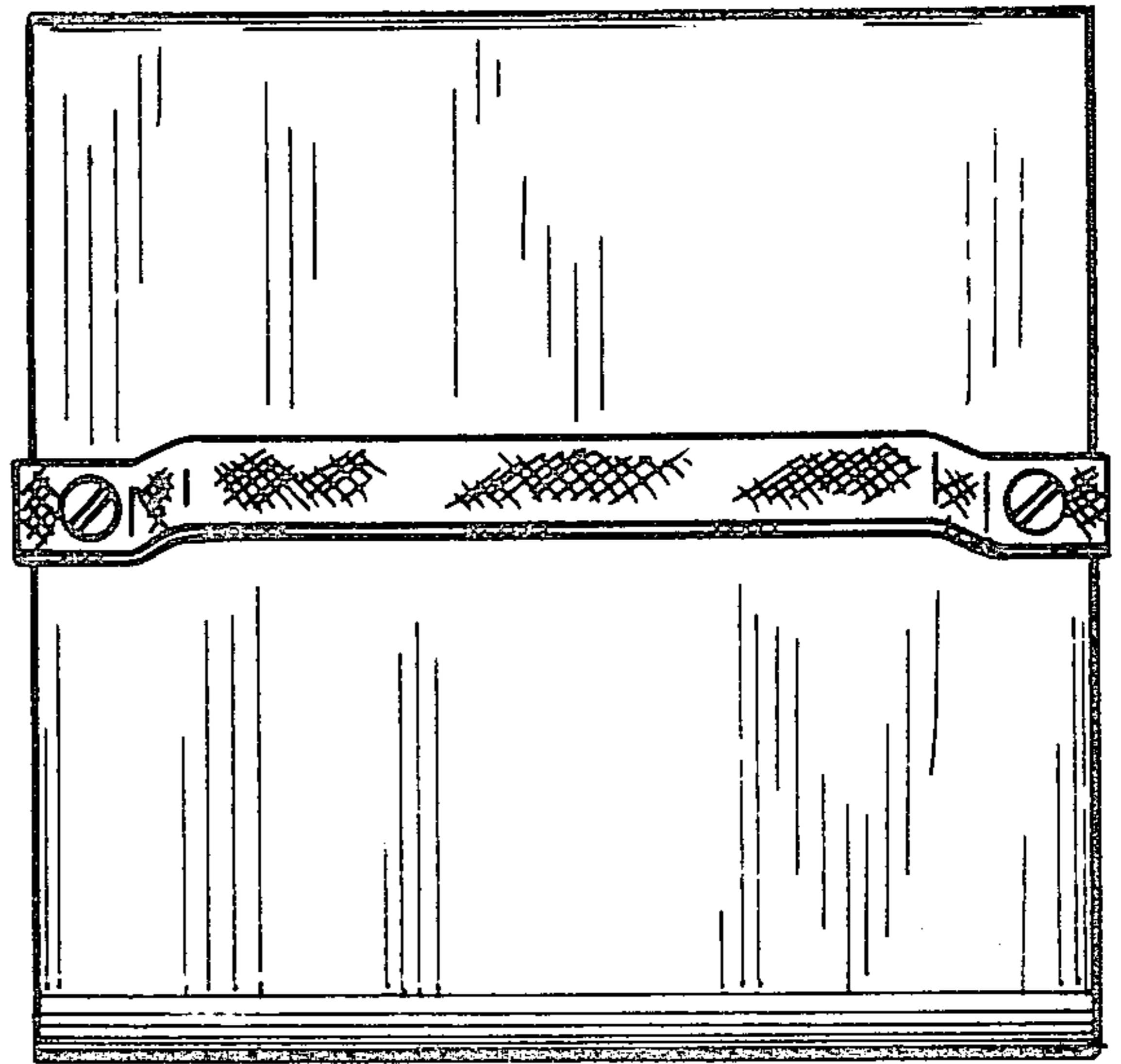


FIG. 8

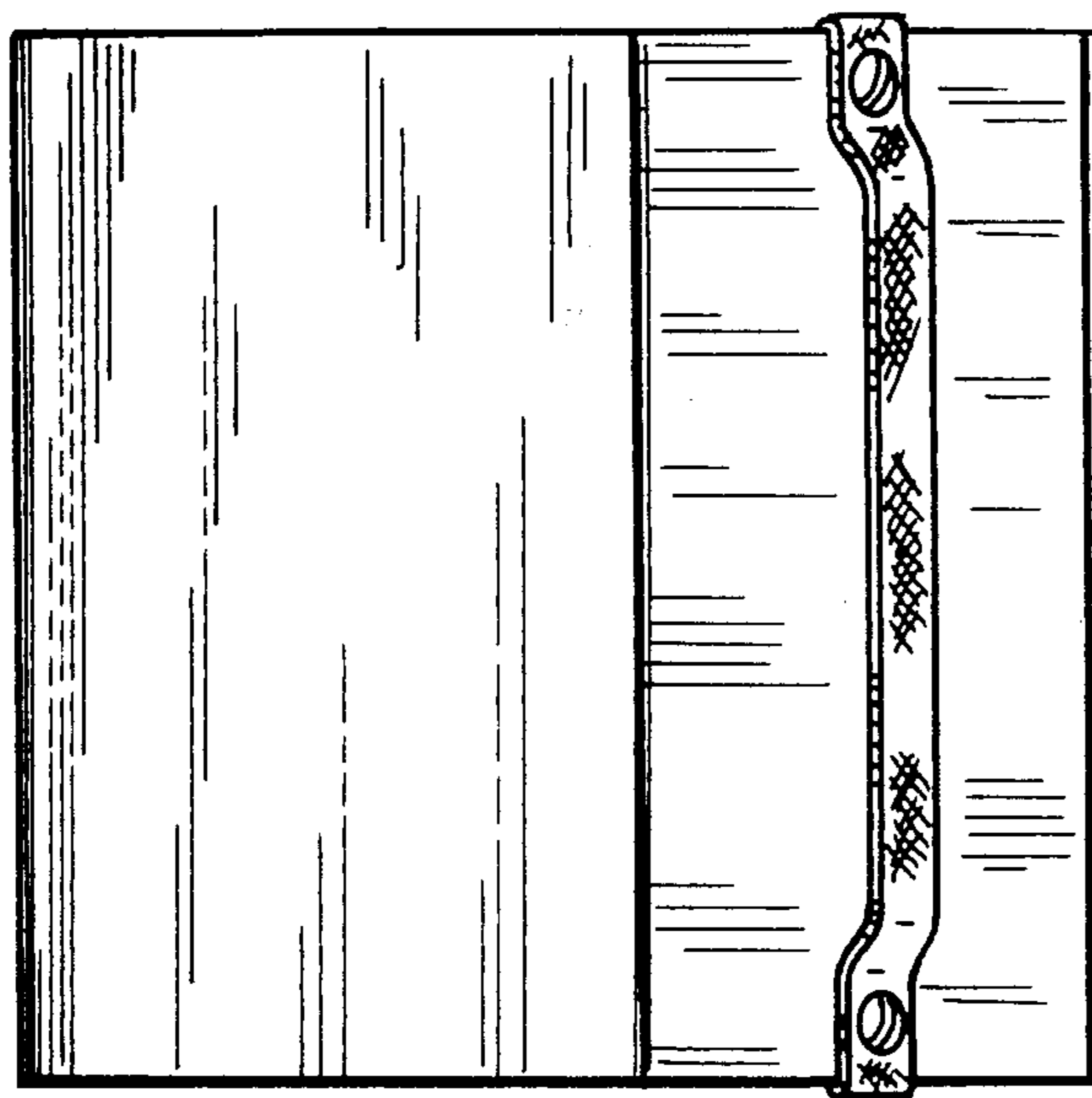


FIG. 9

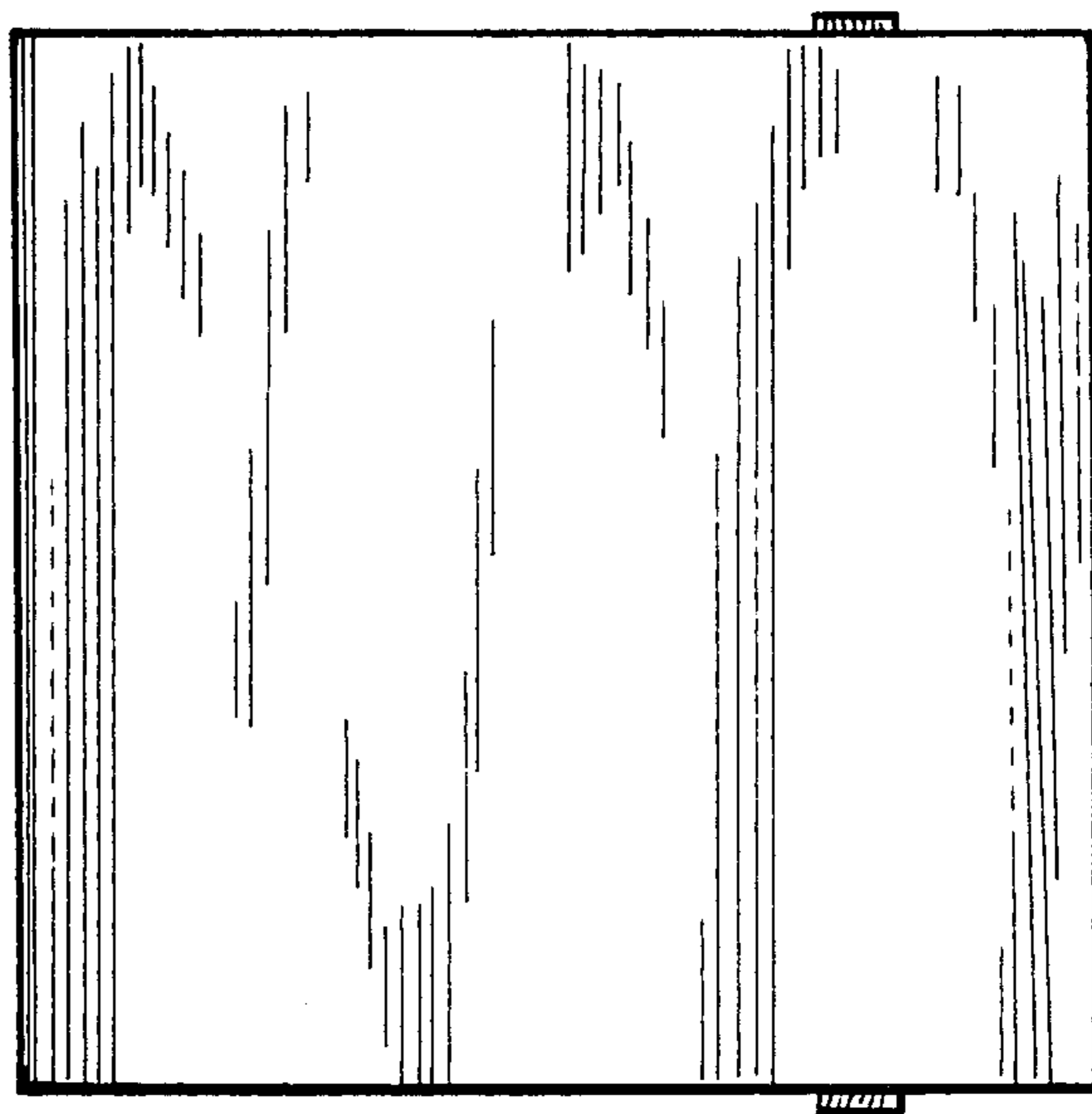


FIG. 11

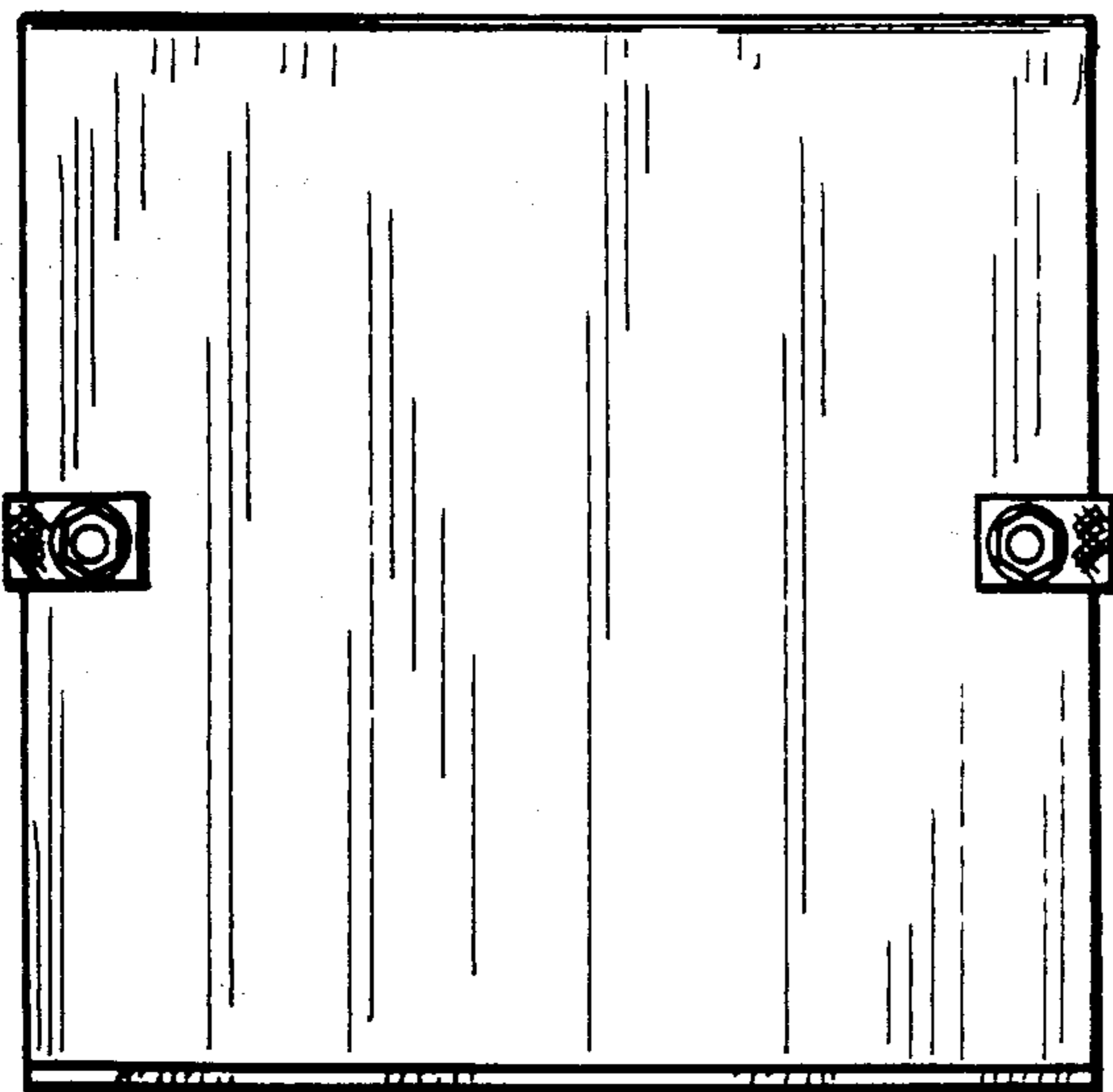


FIG. 12

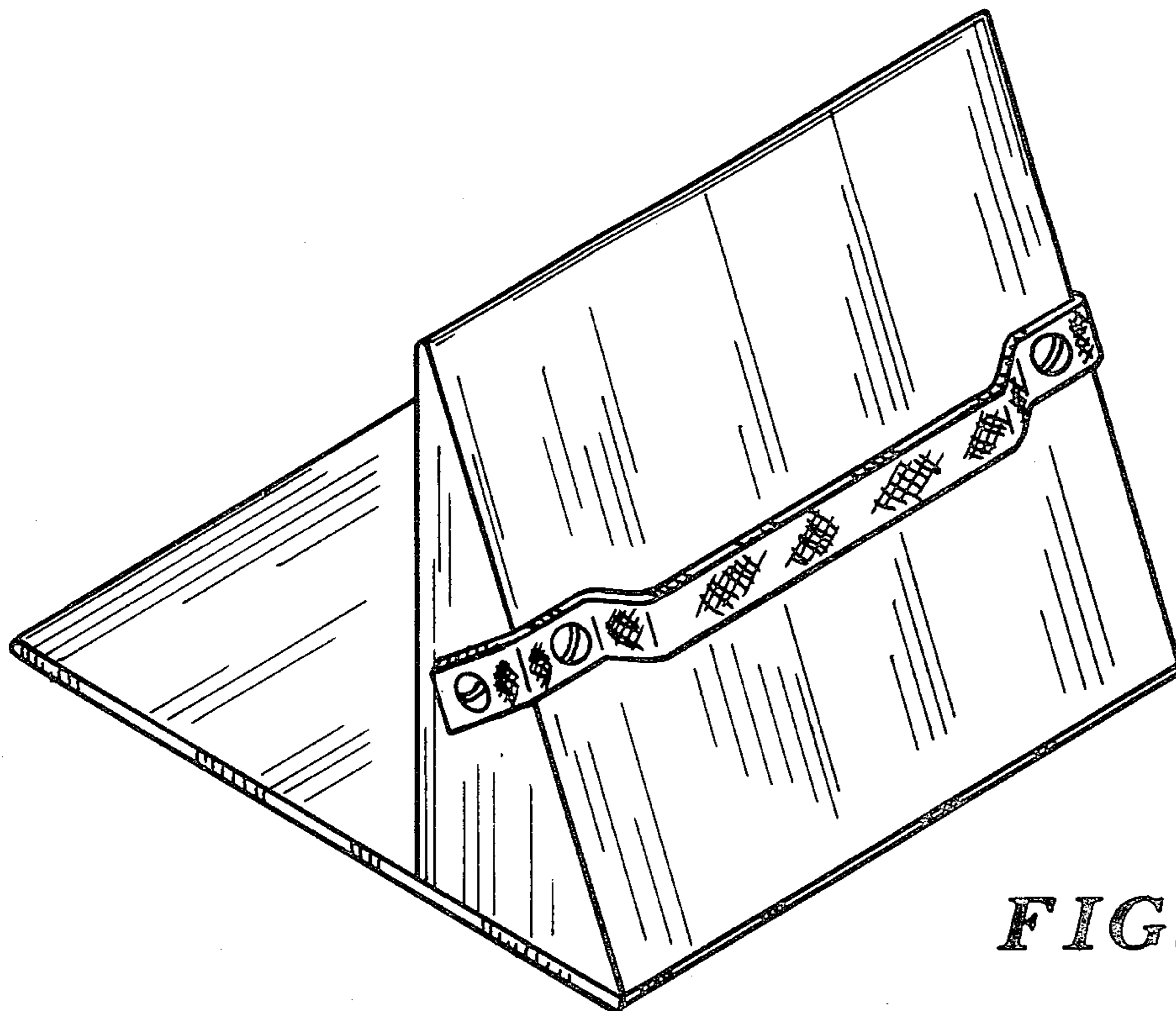


FIG. 13

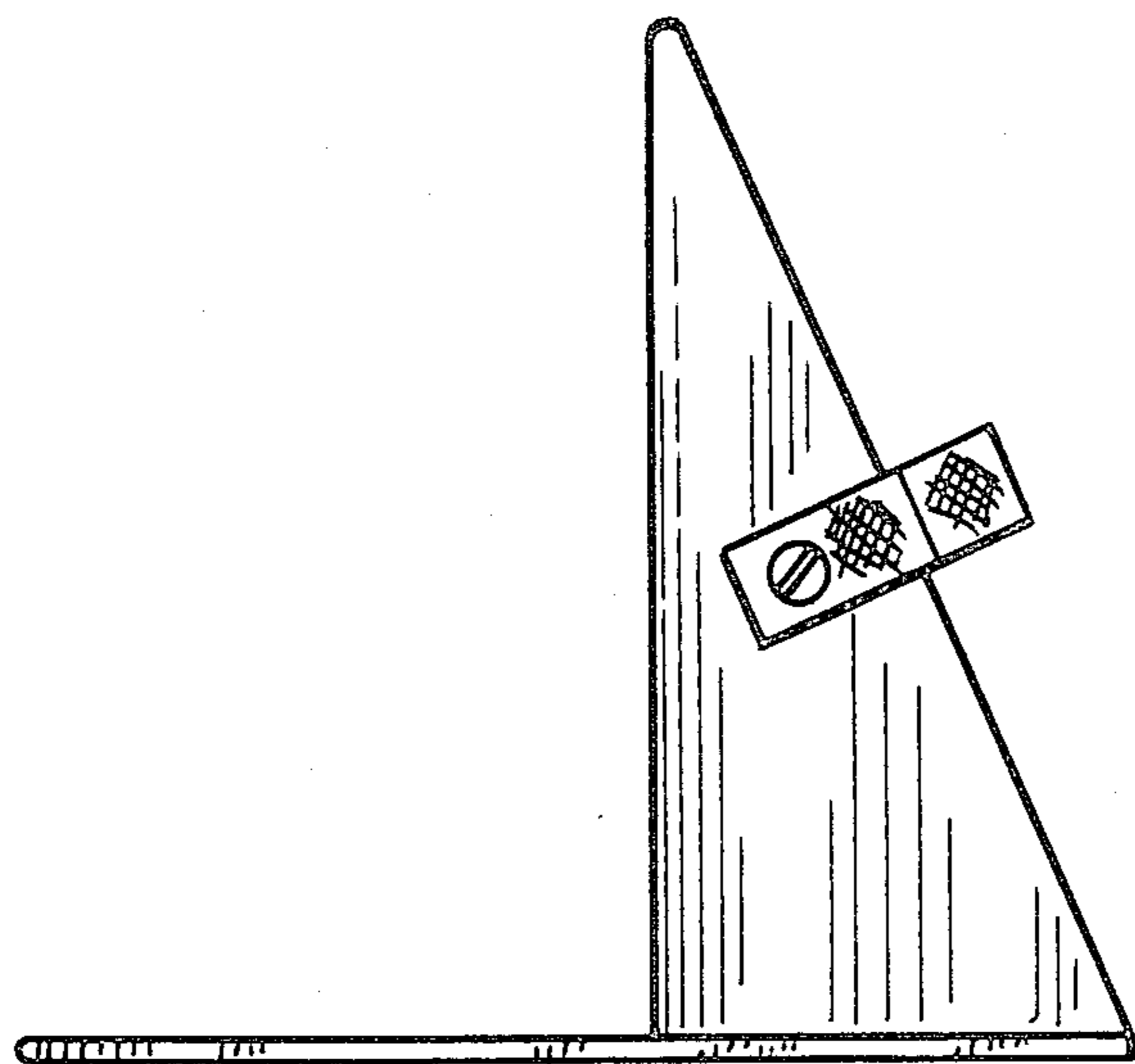


FIG. 16

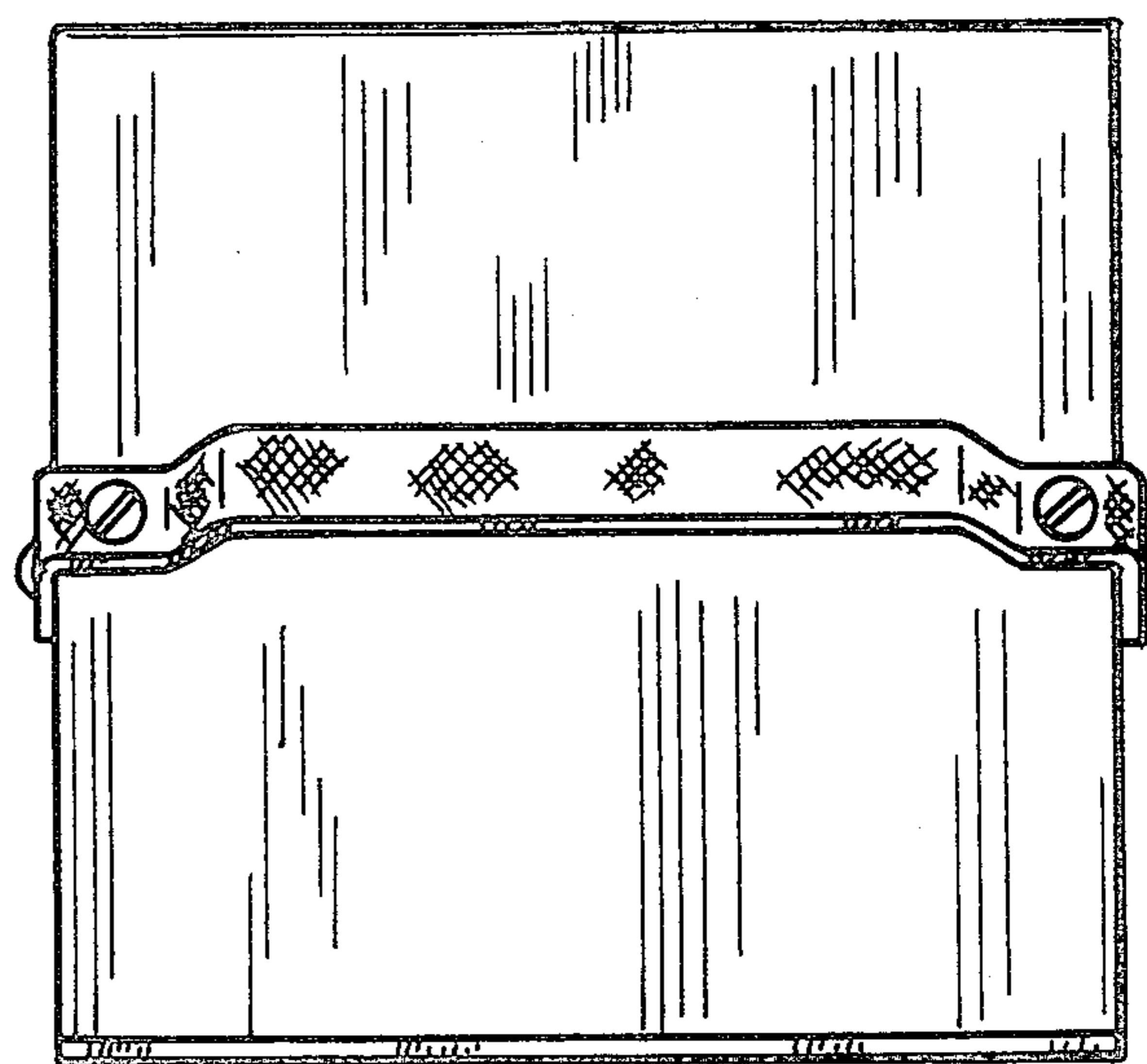


FIG. 14

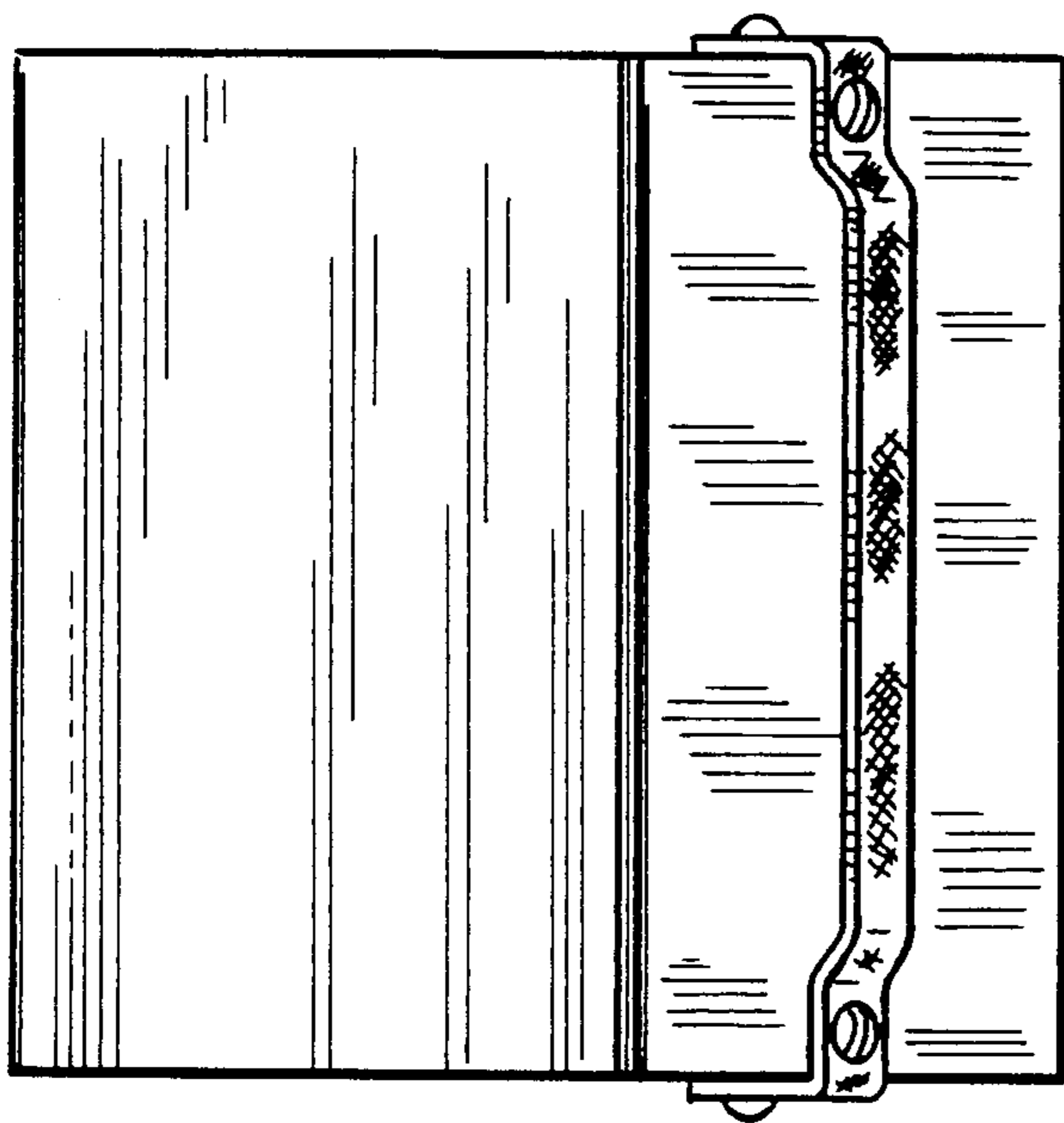


FIG. 15

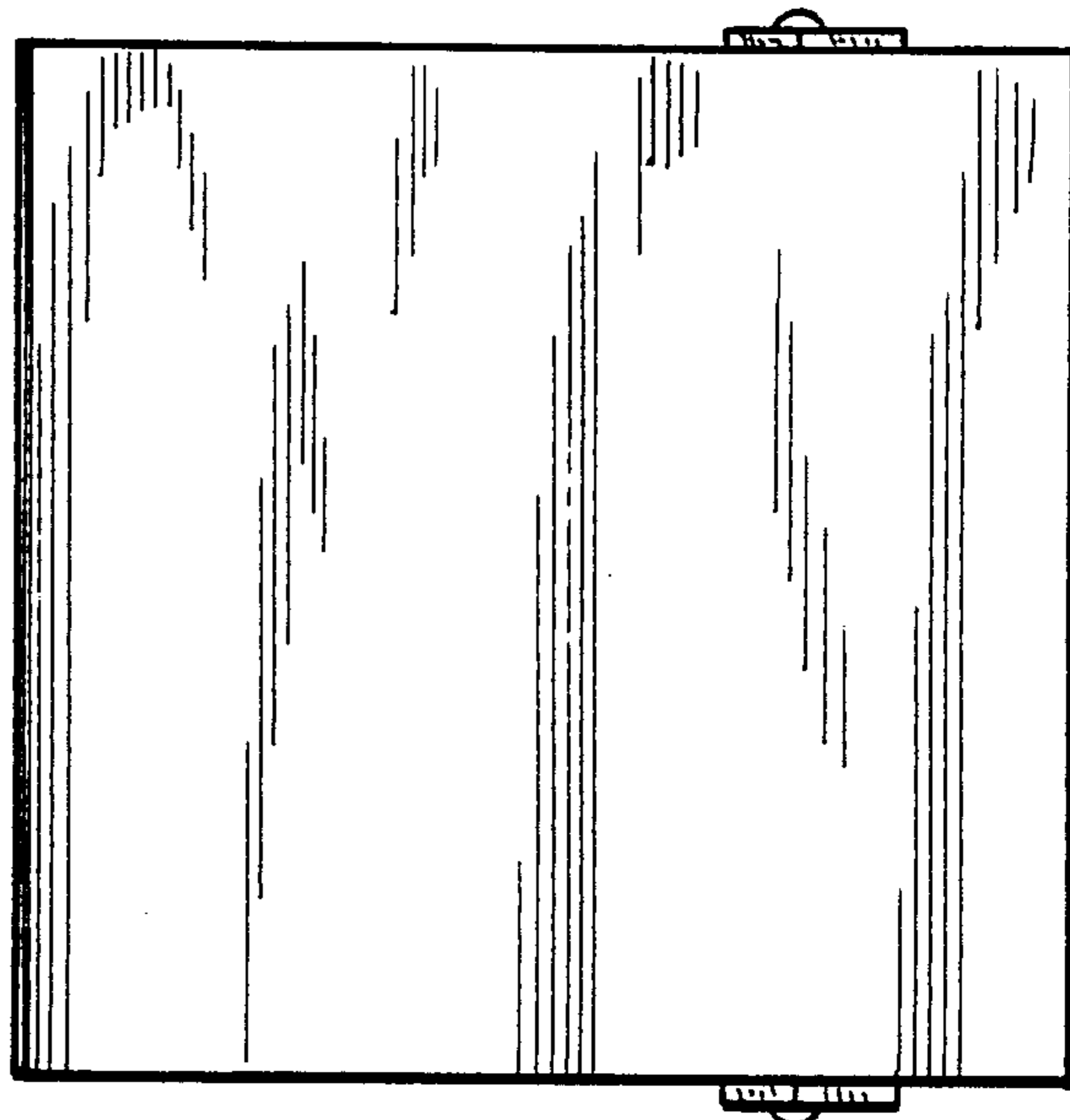


FIG. 17

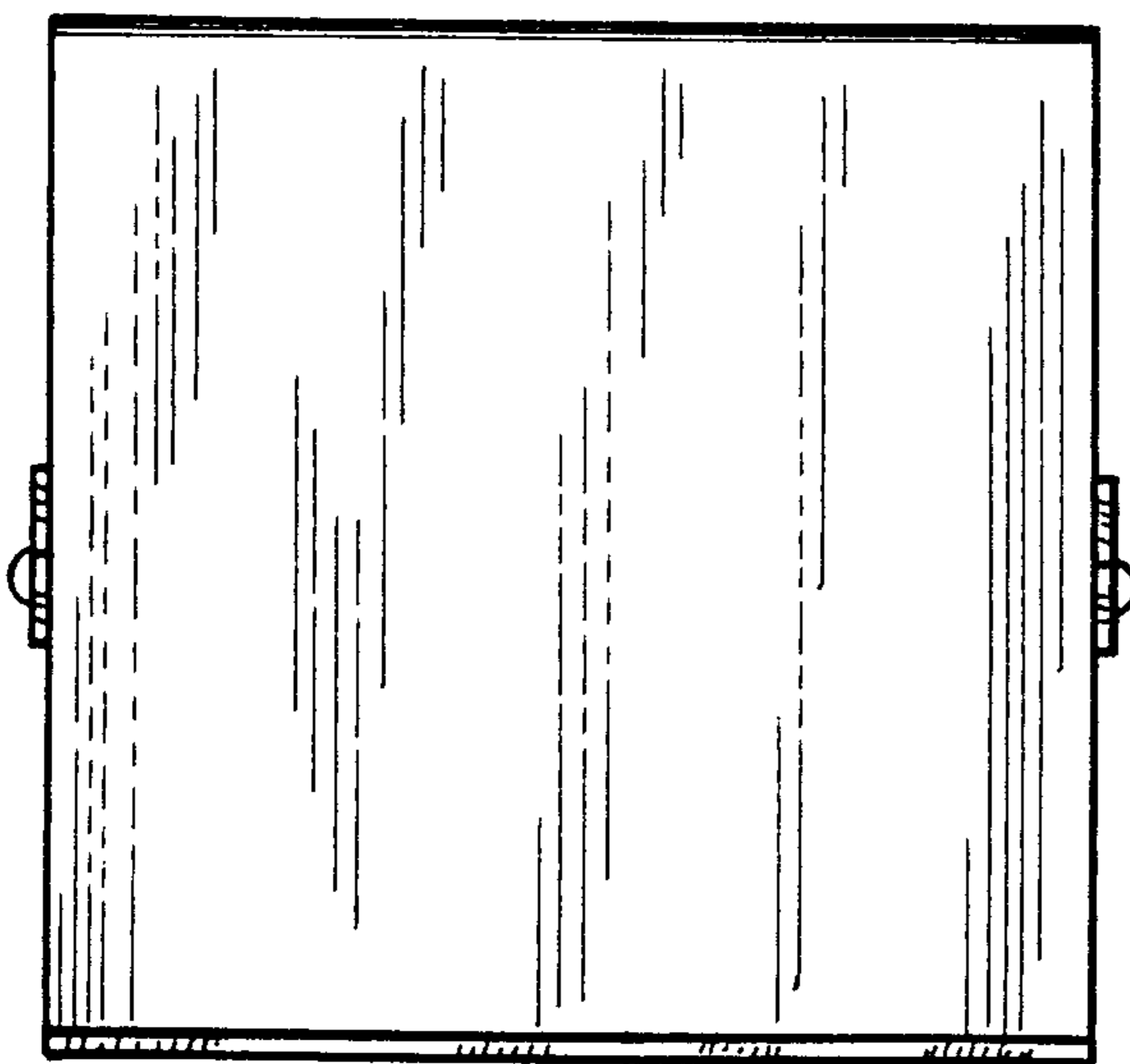


FIG. 18