

[54] **TELEPHONE SET**
[75] **Inventor: Bruno Todeschini, Pietrasanta, Italy**
[73] **Assignee: Telcer Telefonica, S.p.A., Italy**
[**] **Term: 14 Years**
[21] **Appl. No.: 515,039**
[22] **Filed: Jul. 18, 1983**

4,220,829 9/1980 Ruzic 179/179

FOREIGN PATENT DOCUMENTS

2326345 12/1974 Fed. Rep. of Germany ... 179/100 R

OTHER PUBLICATIONS

1981 Public Stores Summer Phone Guide, p. 4, Decorator Phones, "Bonnie & Clyde" & Cutie. Telecommunications, Aug. 1977, p. 39, Handsets in "Kangaroo", Dawn & Doodle sets & base of Dawn.

Primary Examiner—Wallace R. Burke
Assistant Examiner—Horace B. Fay
Attorney, Agent, or Firm—Steele, Gould & Fried

[30] **Foreign Application Priority Data**
Jan. 28, 1983 [IT] Italy 20636B/83
[52] **U.S. Cl. D14/53; D14/62; D14/63**
[58] **Field of Search D14/52, 53, 59, 60, D14/62, 63; 179/179, 100 R, 100 D, 101**

[57] **CLAIM**

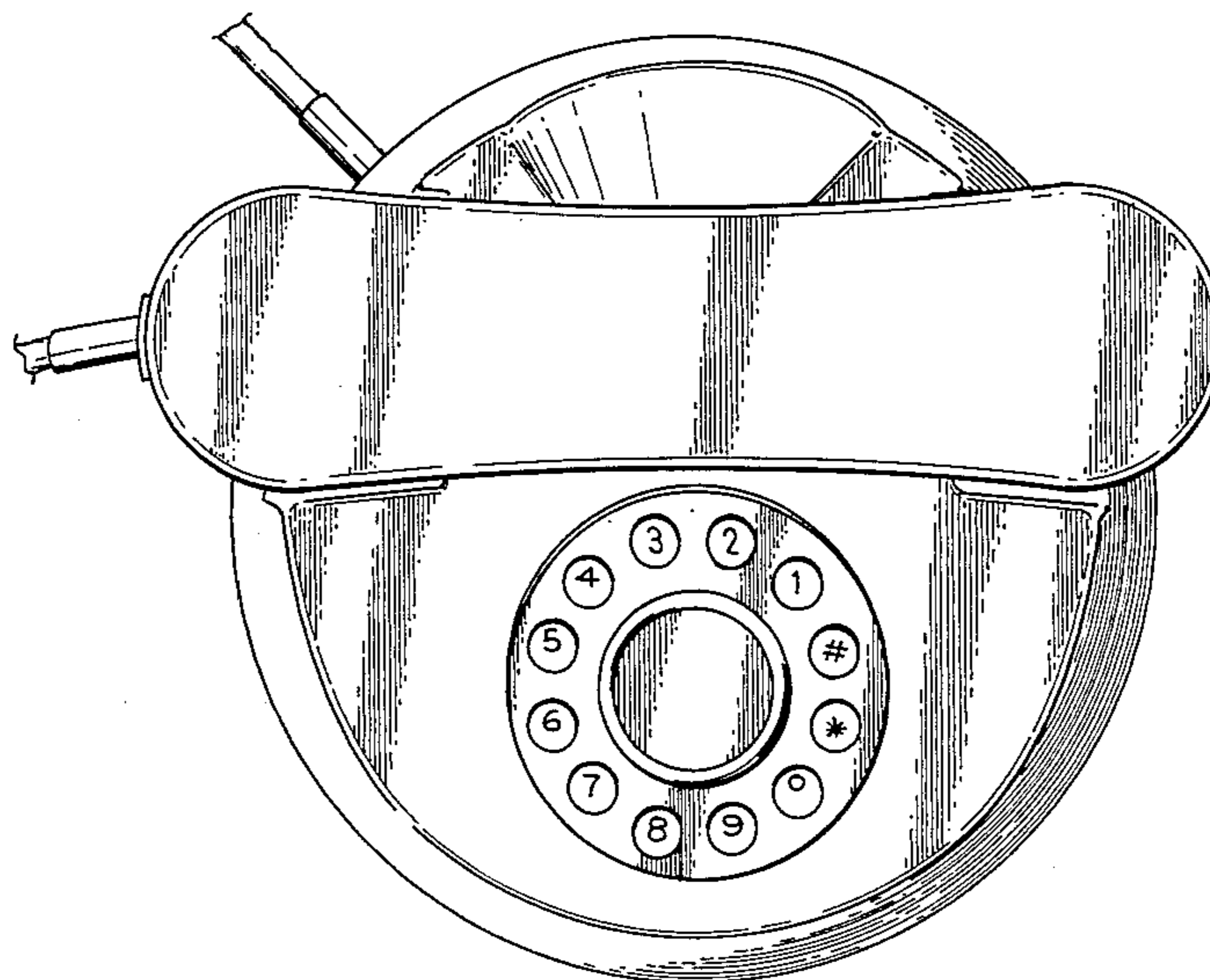
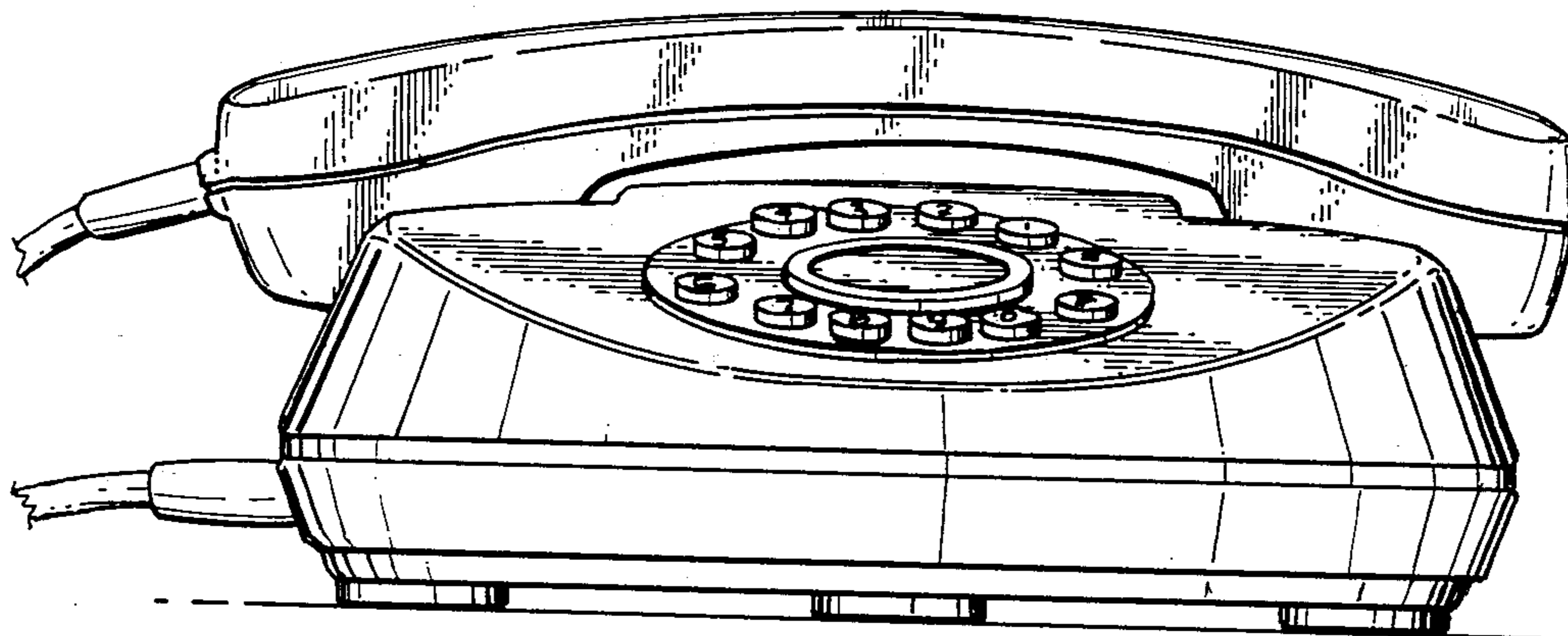
The ornamental design for a telephone set, as shown and described.

[56] **References Cited**
U.S. PATENT DOCUMENTS

D. 52,010	5/1918	Forsberg	D14/62
D. 224,911	10/1972	Perkins	D14/53
D. 230,159	1/1974	Genaro et al.	D14/62
D. 243,096	1/1977	Perkins	D14/53
D. 251,843	5/1979	Knoll et al.	D14/53
D. 264,211	5/1982	Hilmer	D14/62
D. 271,487	1/1983	Breger	D14/53
D. 275,195	8/1984	Endt	D14/58

DESCRIPTION

FIG. 1 is a perspective view of a telephone set showing the ornamental features of my design; FIG. 2 is a front elevation thereof; FIG. 3 is a rear elevation thereof; FIG. 4 is a left side elevation thereof; FIG. 5 is a right side elevation thereof; FIG. 6 is a top plan thereof; and, FIG. 7 is a bottom plan thereof.



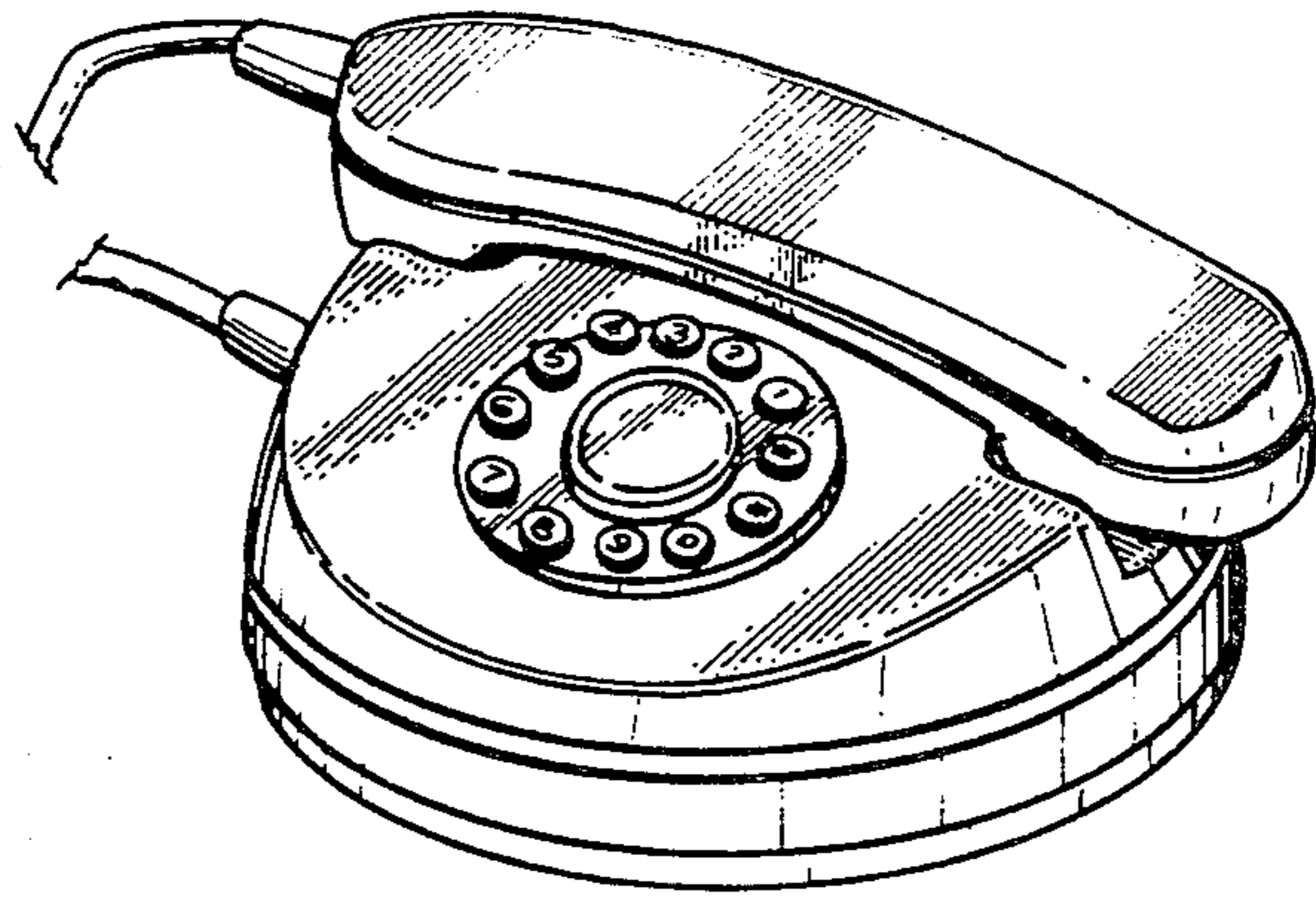


FIG. 1

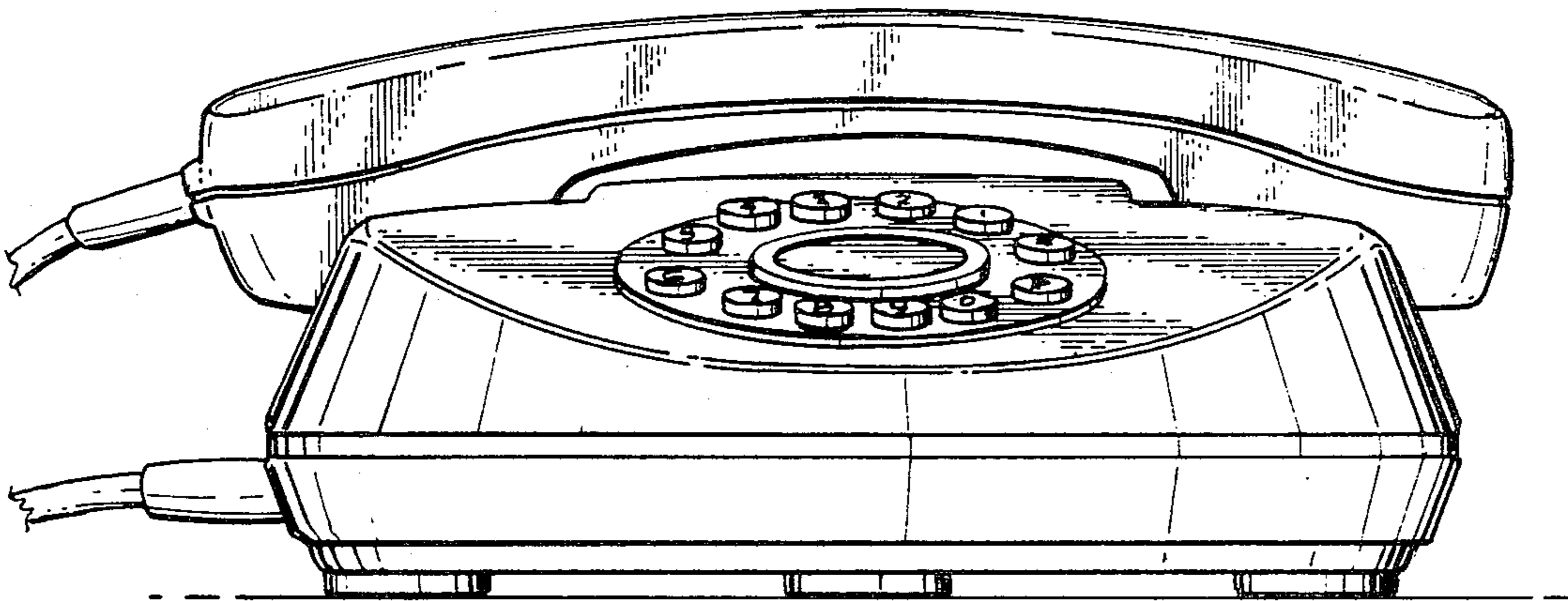


FIG. 2

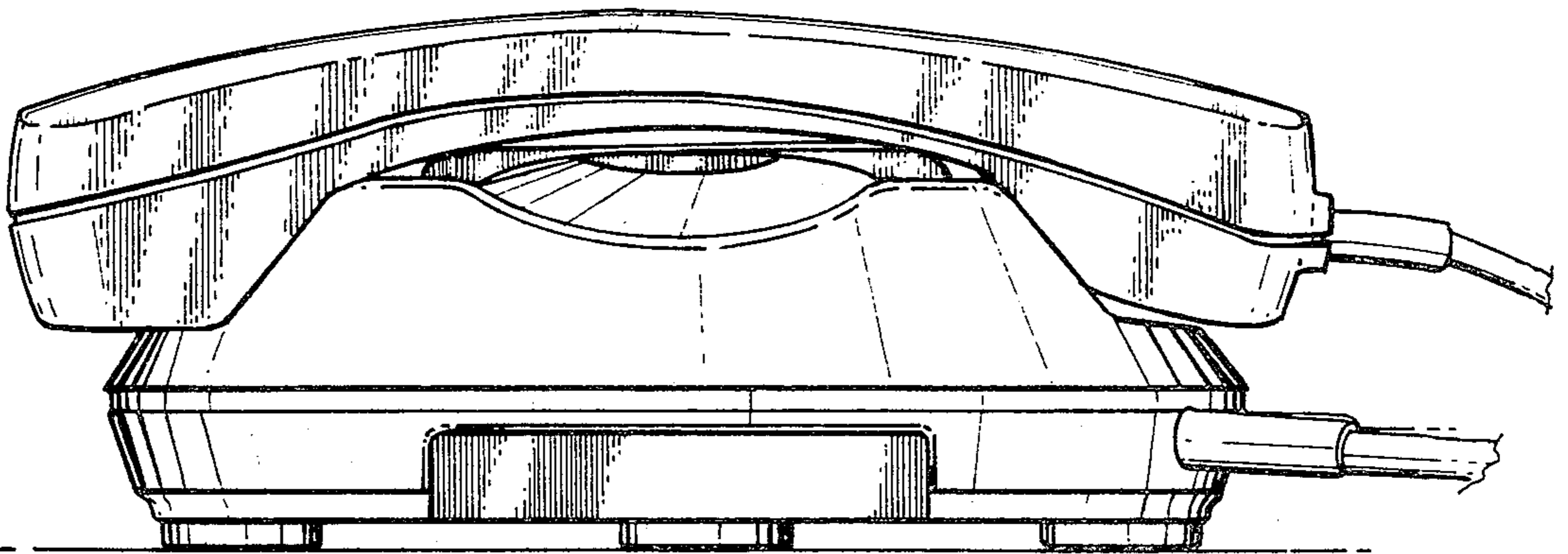


FIG. 3

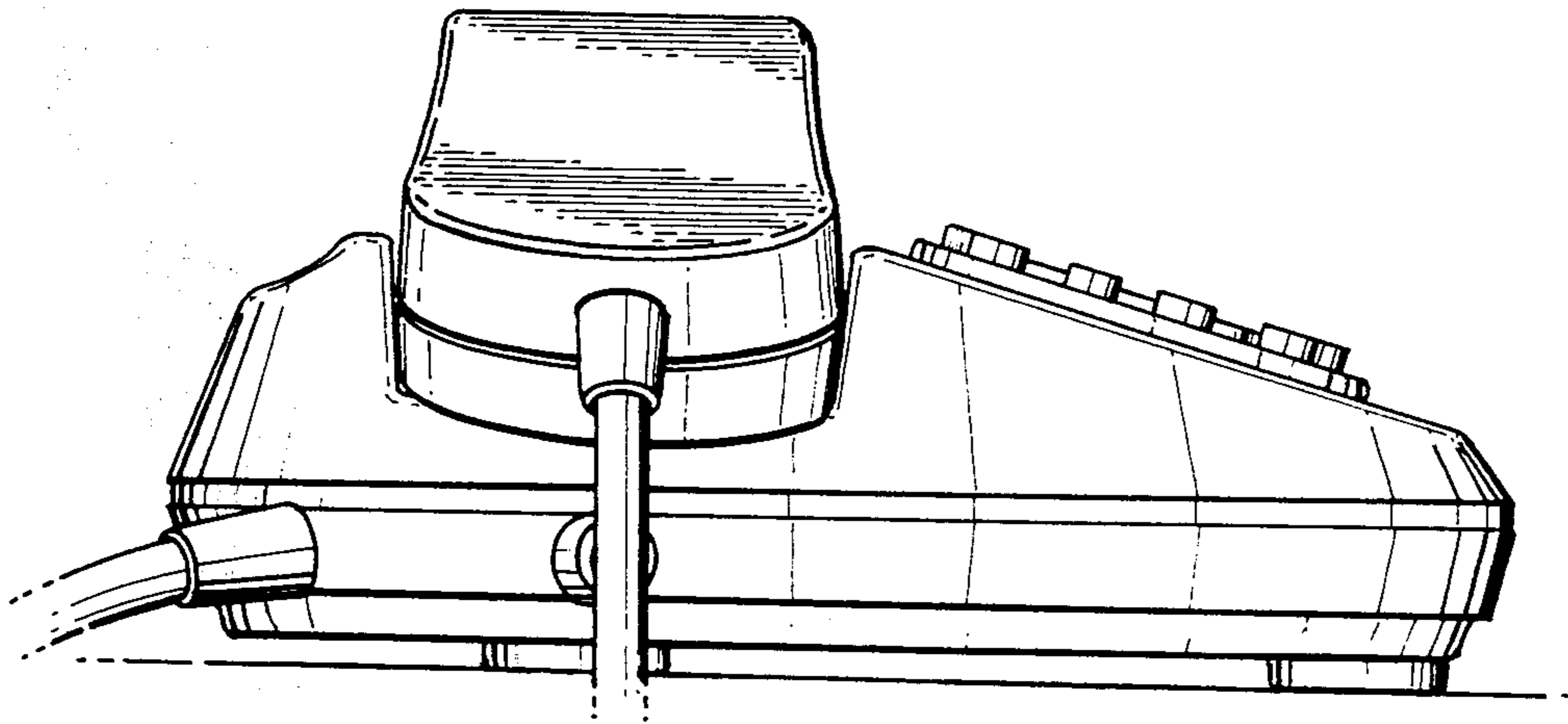


FIG. 4

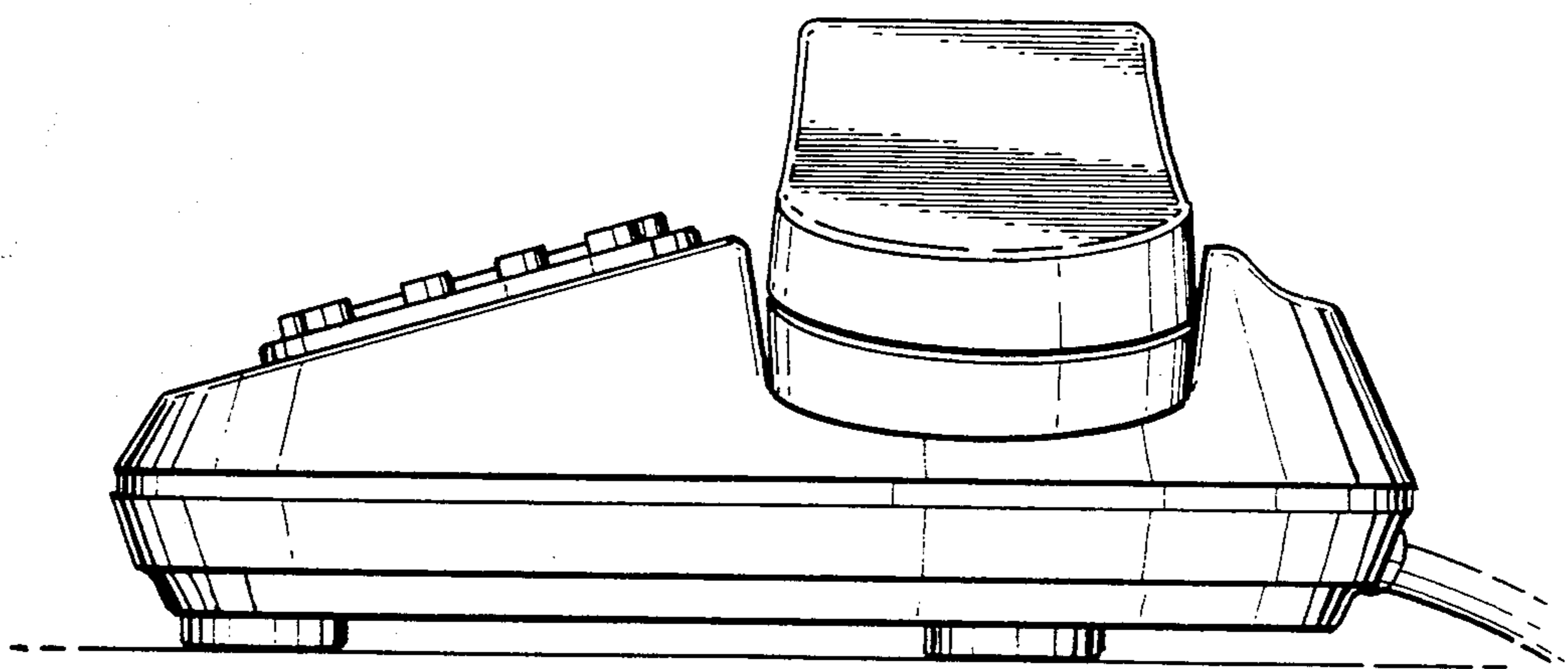


FIG. 5

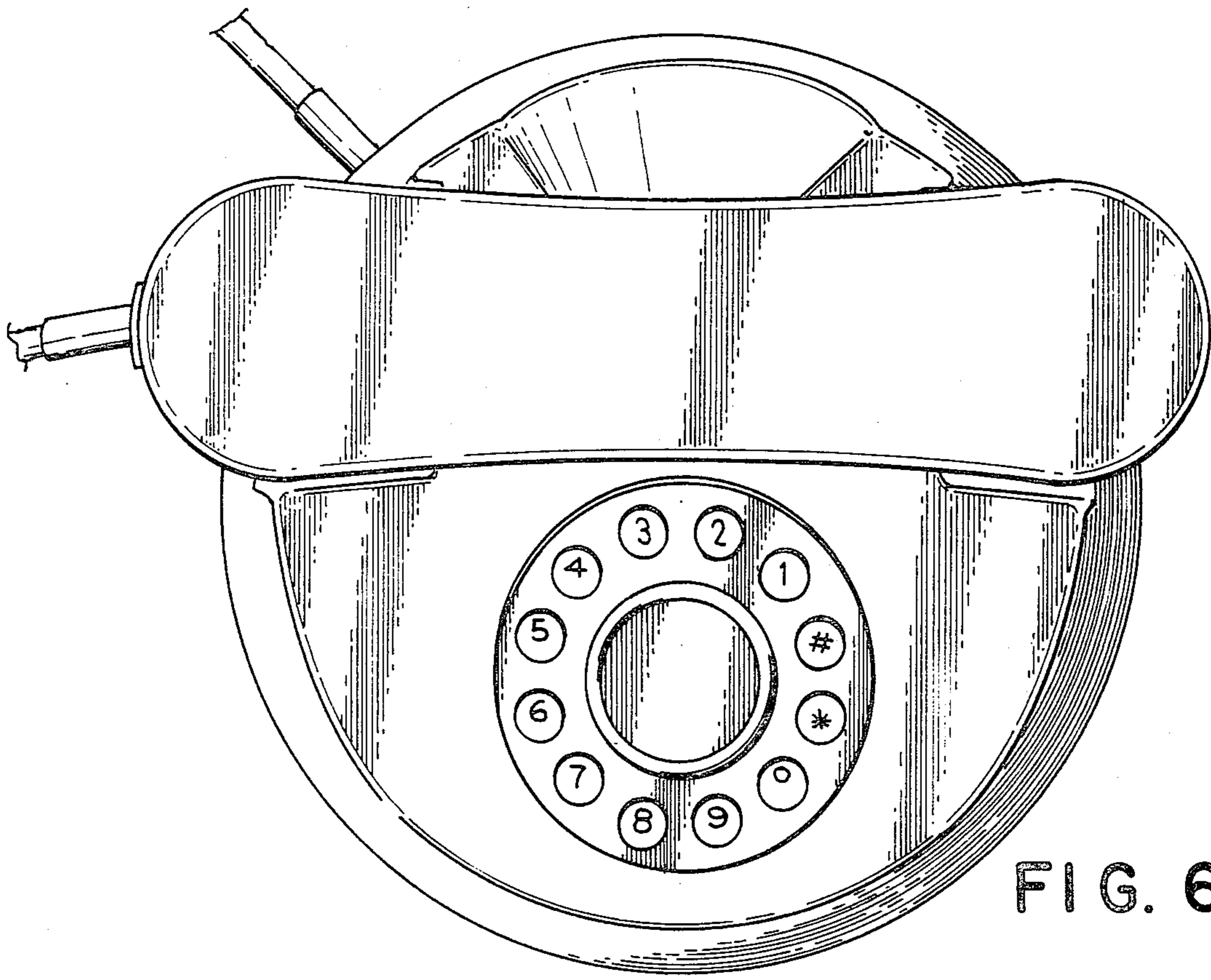


FIG. 6

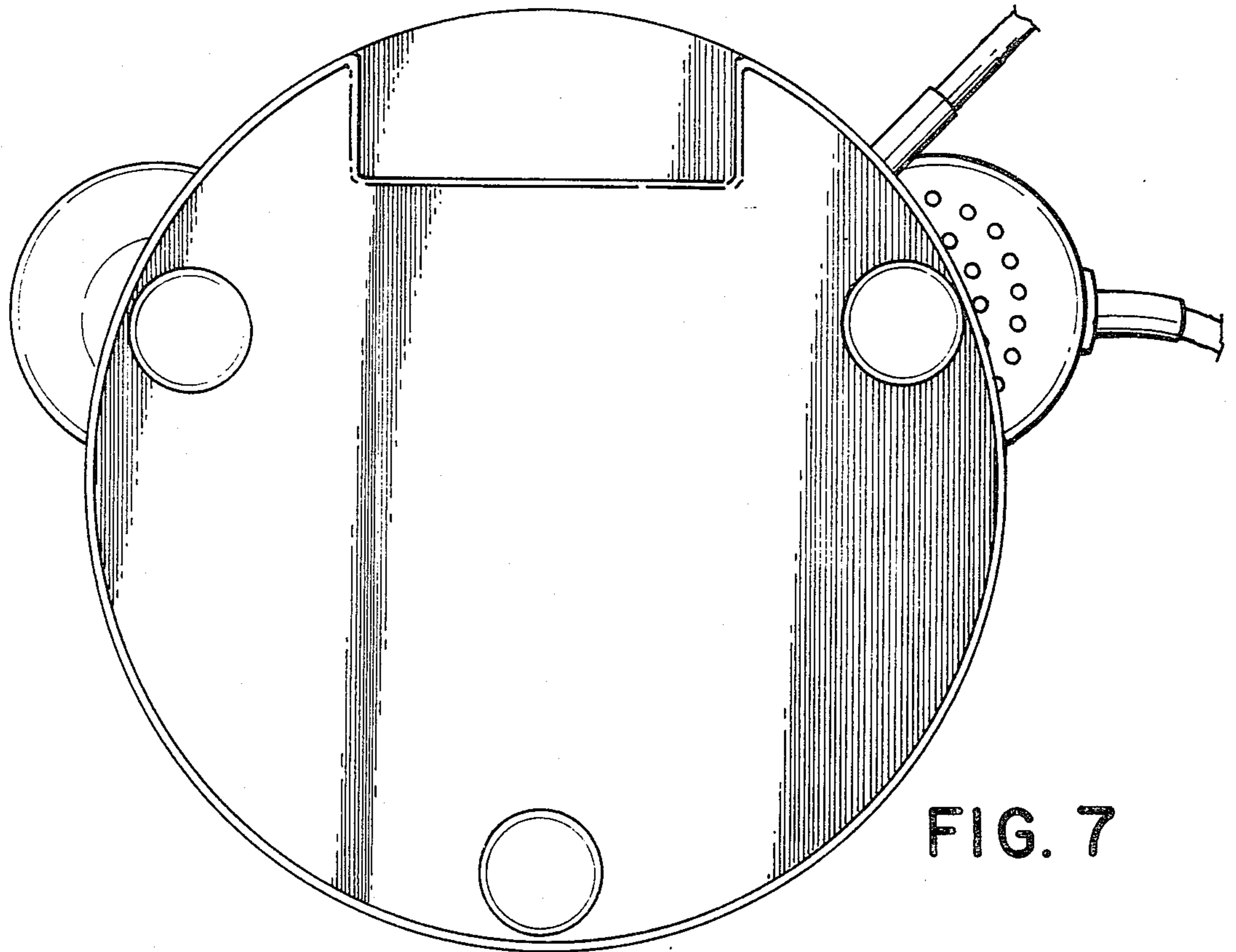


FIG. 7