

[54] **LOUDSPEAKER**

[75] **Inventor: Gary E. Grimes, Watertown, Conn.**

[73] **Assignee: U.S. Philips Corporation, New York, N.Y.**

[**] **Term: 14 Years**

[21] **Appl. No.: 507,894**

[22] **Filed: Jun. 27, 1983**

[30] **Foreign Application Priority Data**

Jan. 4, 1983 [XB] Benelux 57465-01

[52] **U.S. Cl. D14/34; D14/38; D14/39**

[58] **Field of Search D14/30, 32-34, D14/37-39; 181/148**

[56] **References Cited**

U.S. PATENT DOCUMENTS

D. 272,343 1/1984 Matsubara D14/33 X
D. 276,153 10/1984 Iijima D14/30

OTHER PUBLICATIONS

Hitachi "Audio Components" Brochure, ©1978, p. 29, Item #HS 323R on left, with front uncovered. *High Fidelity*, 5-82, p. 65, Shure 711 Speaker.

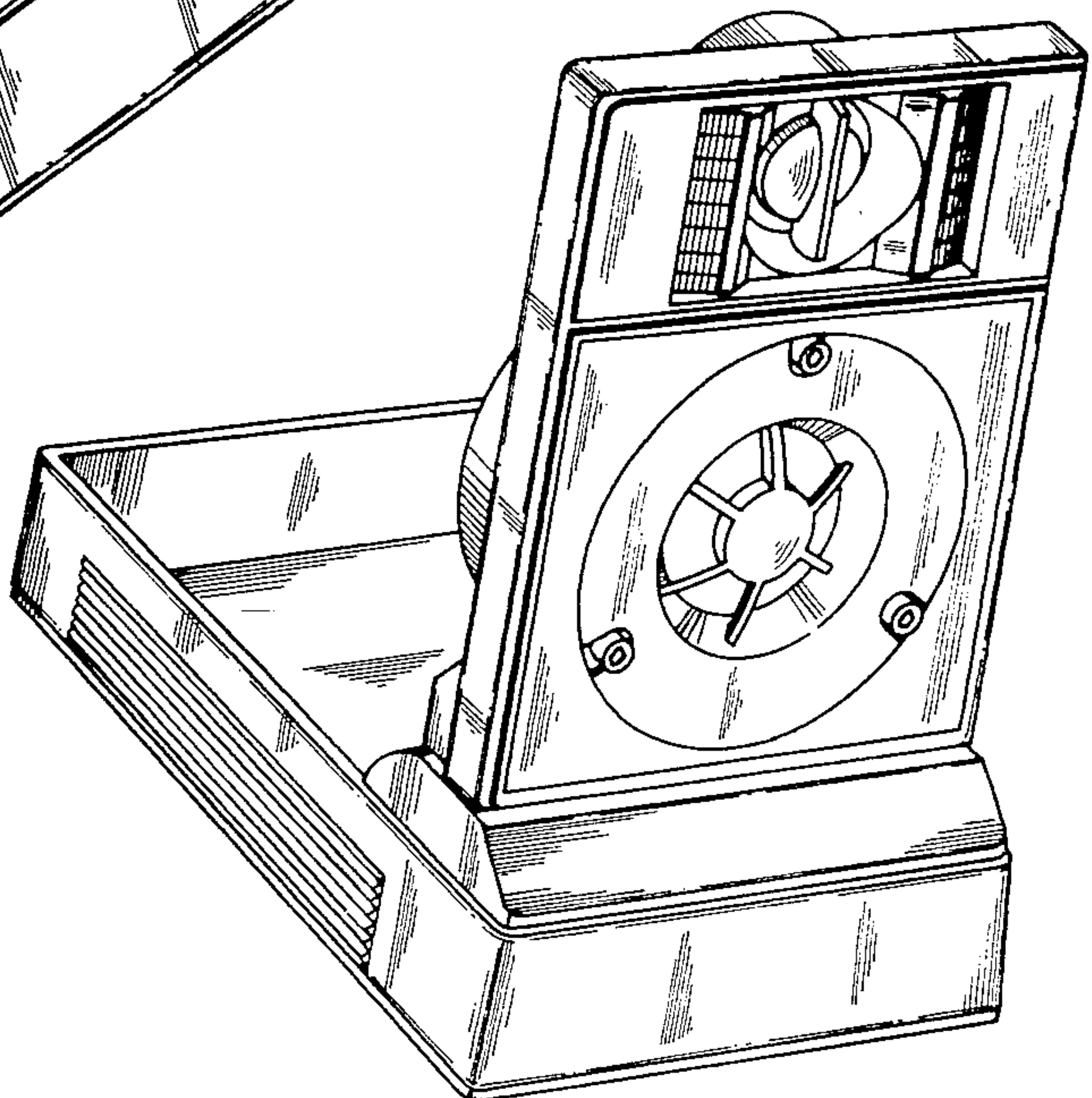
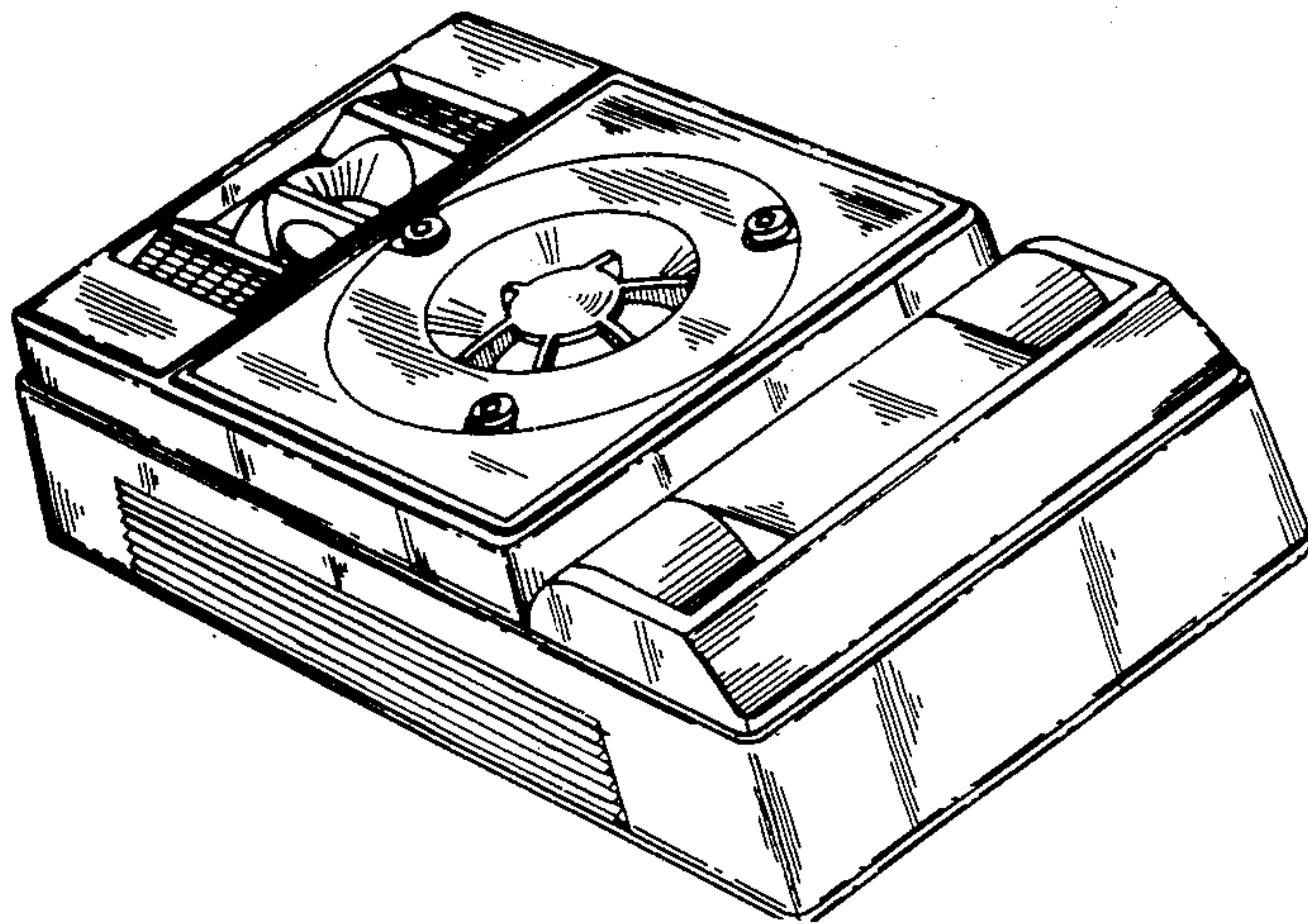
Primary Examiner—Jane E. Corrigan
Attorney, Agent, or Firm—Rolf E. Schneider

[57] **CLAIM**

The ornamental design for a loudspeaker, as shown and described.

DESCRIPTION

FIG. 1 is a front, top and left side perspective view of a loudspeaker showing my new design;
FIG. 2 is a front, top and left side perspective view of the loudspeaker with the twin-dome unit in its vertical position;
FIG. 3 is a left side elevational view thereof;
FIG. 4 is a right side elevational view thereof;
FIG. 5 is a front elevational view thereof;
FIG. 6 is a rear elevational view thereof;
FIG. 7 is a top plan view thereof; and
FIG. 8 is a bottom plan view thereof.



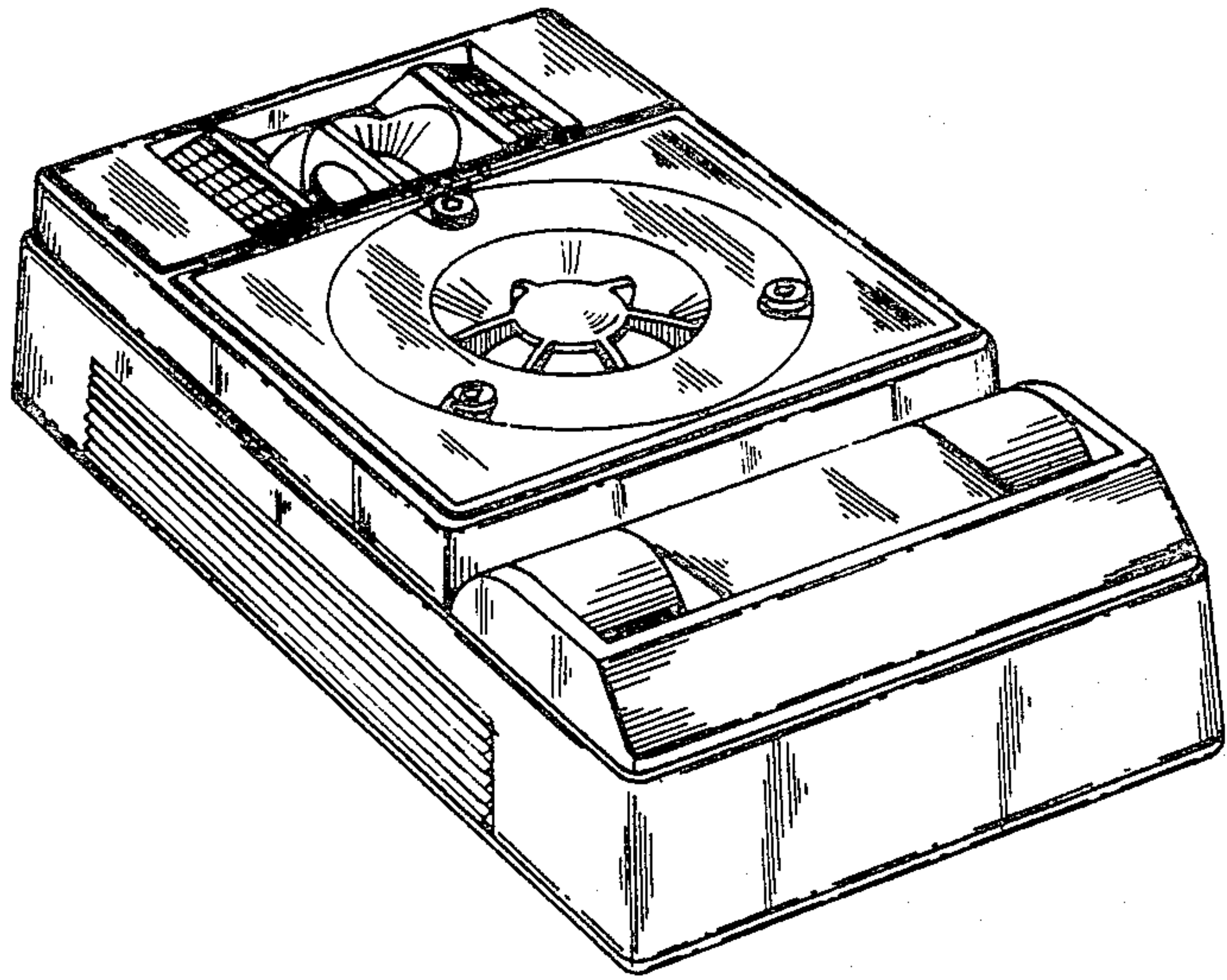


FIG. 1

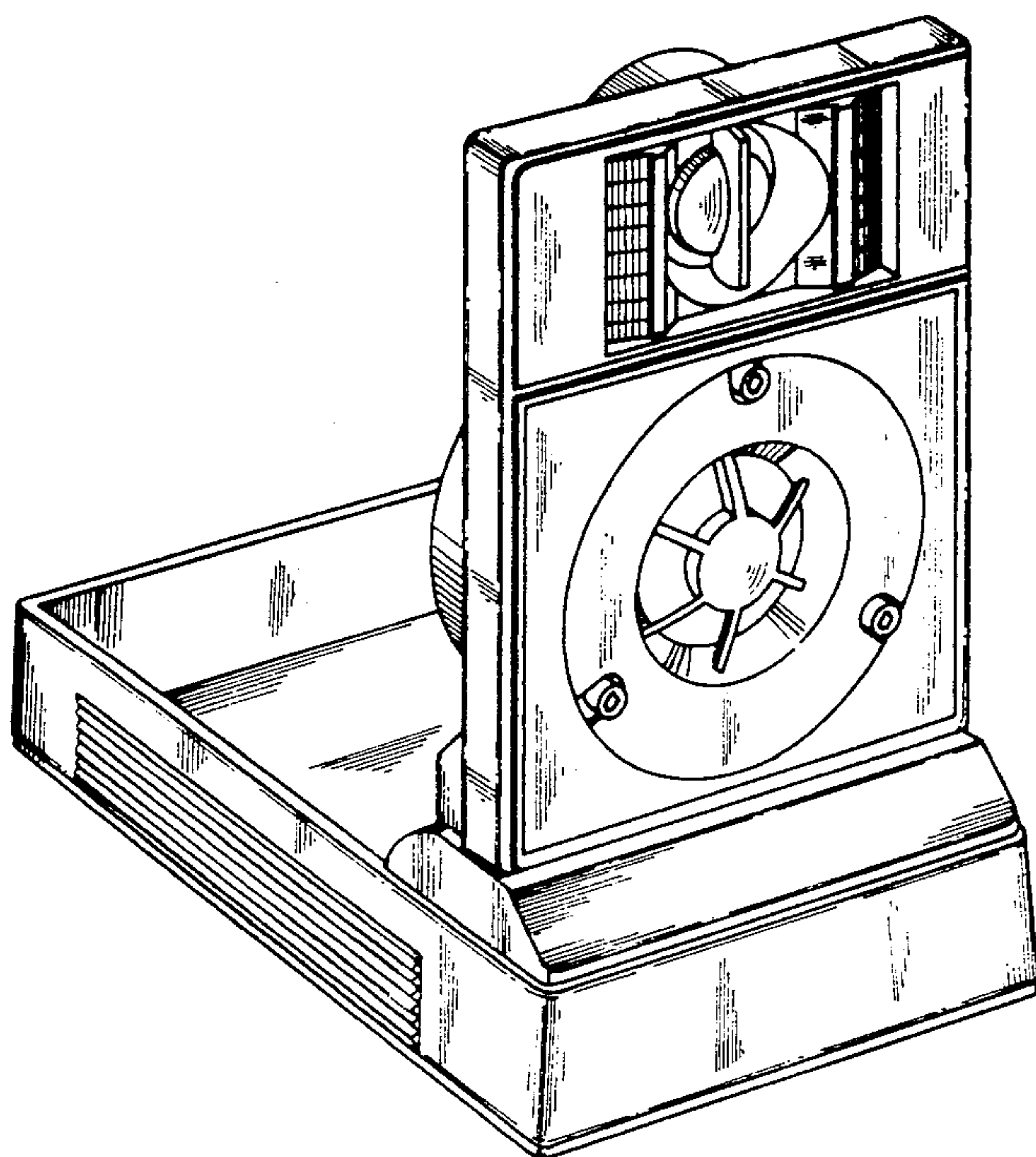


FIG. 2

FIG. 3

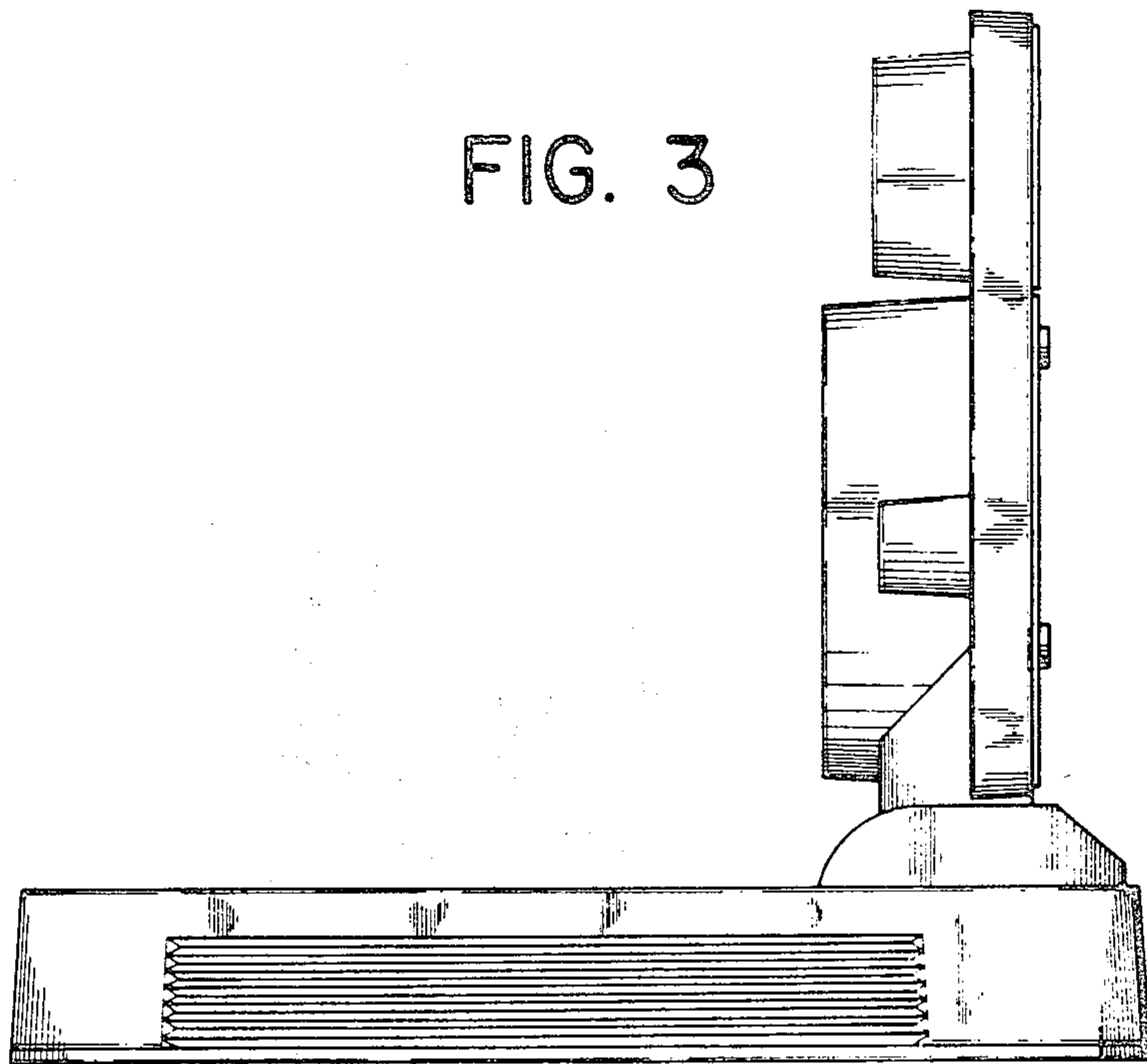
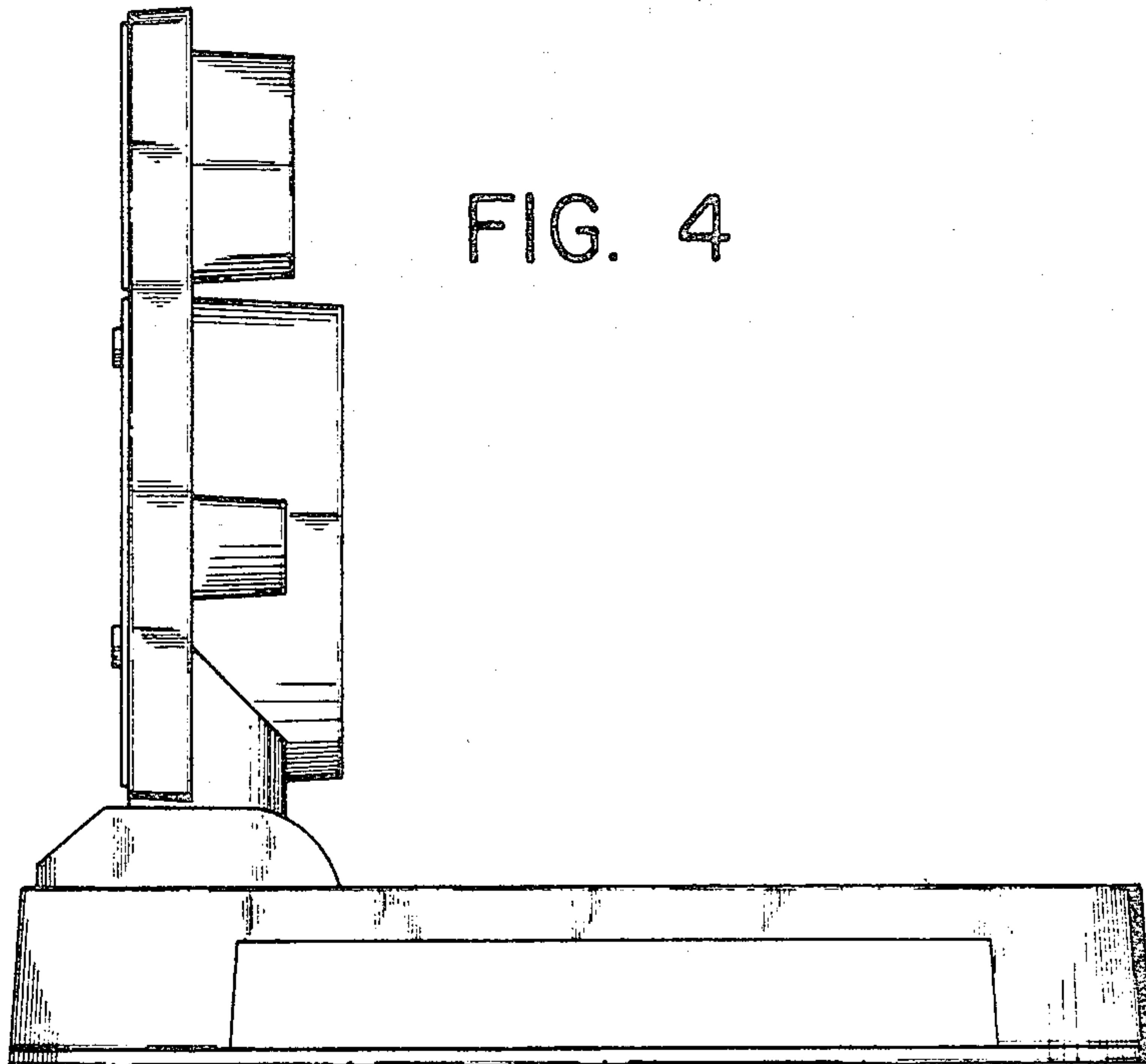


FIG. 4



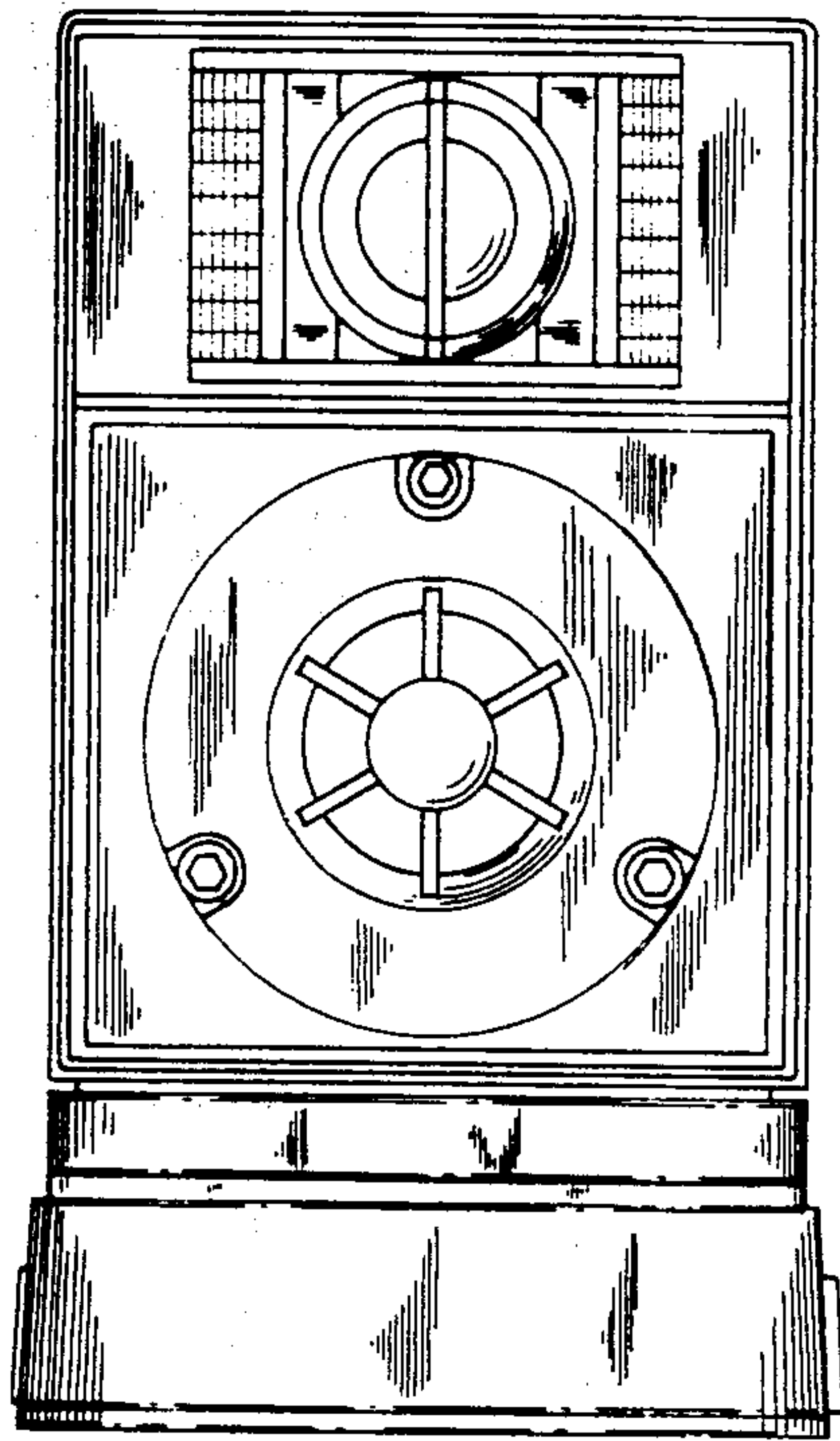


FIG. 5

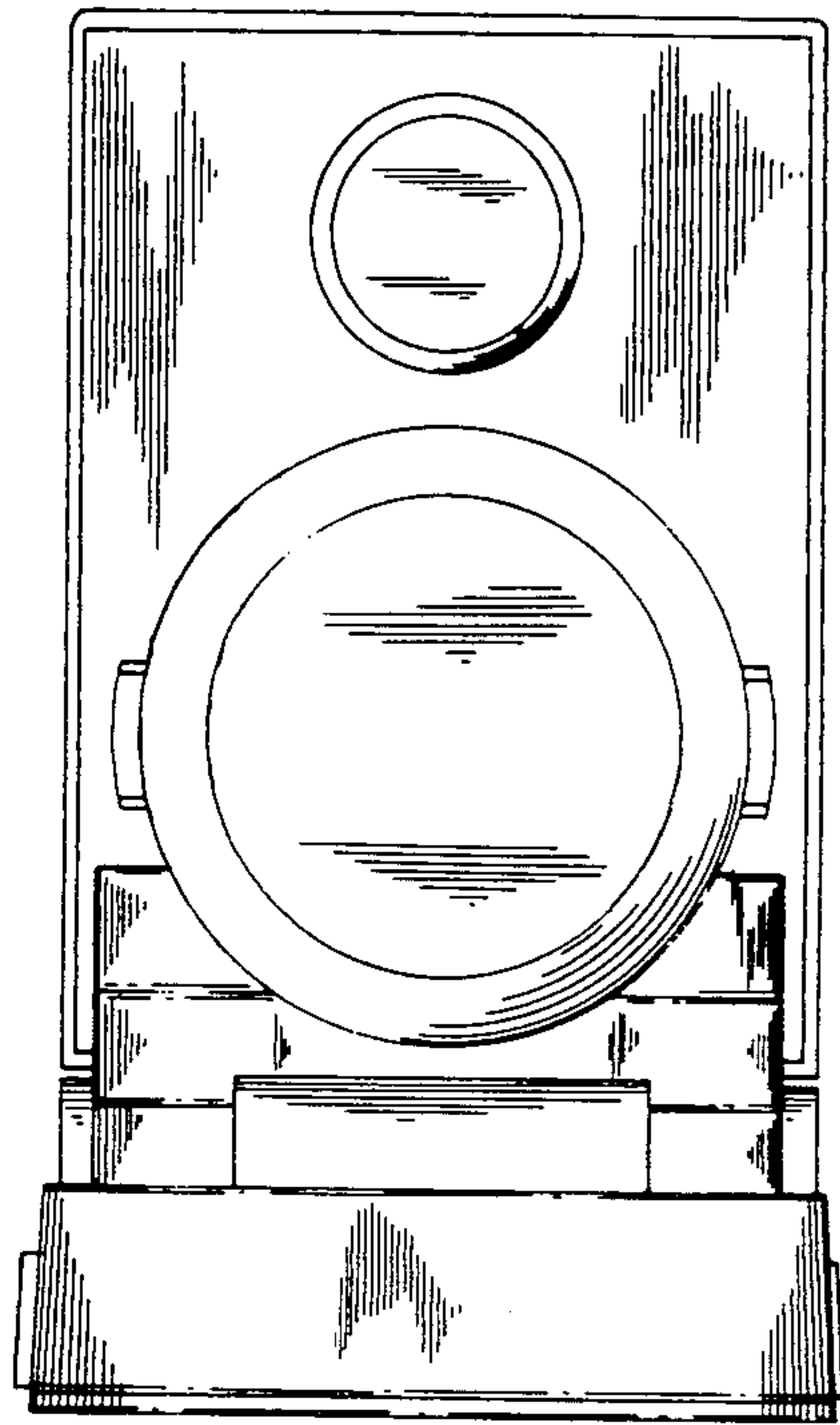


FIG. 6

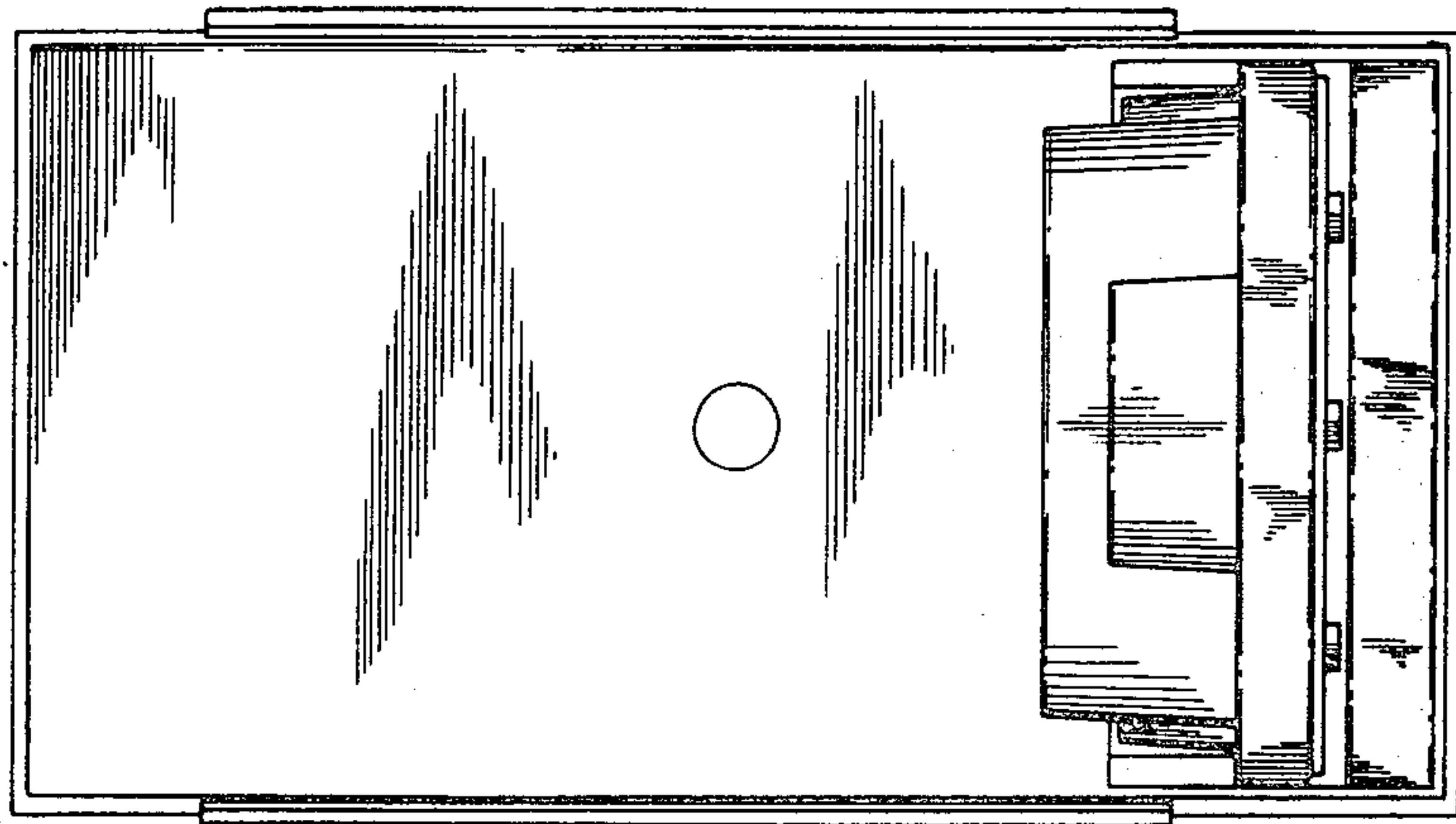


FIG. 7

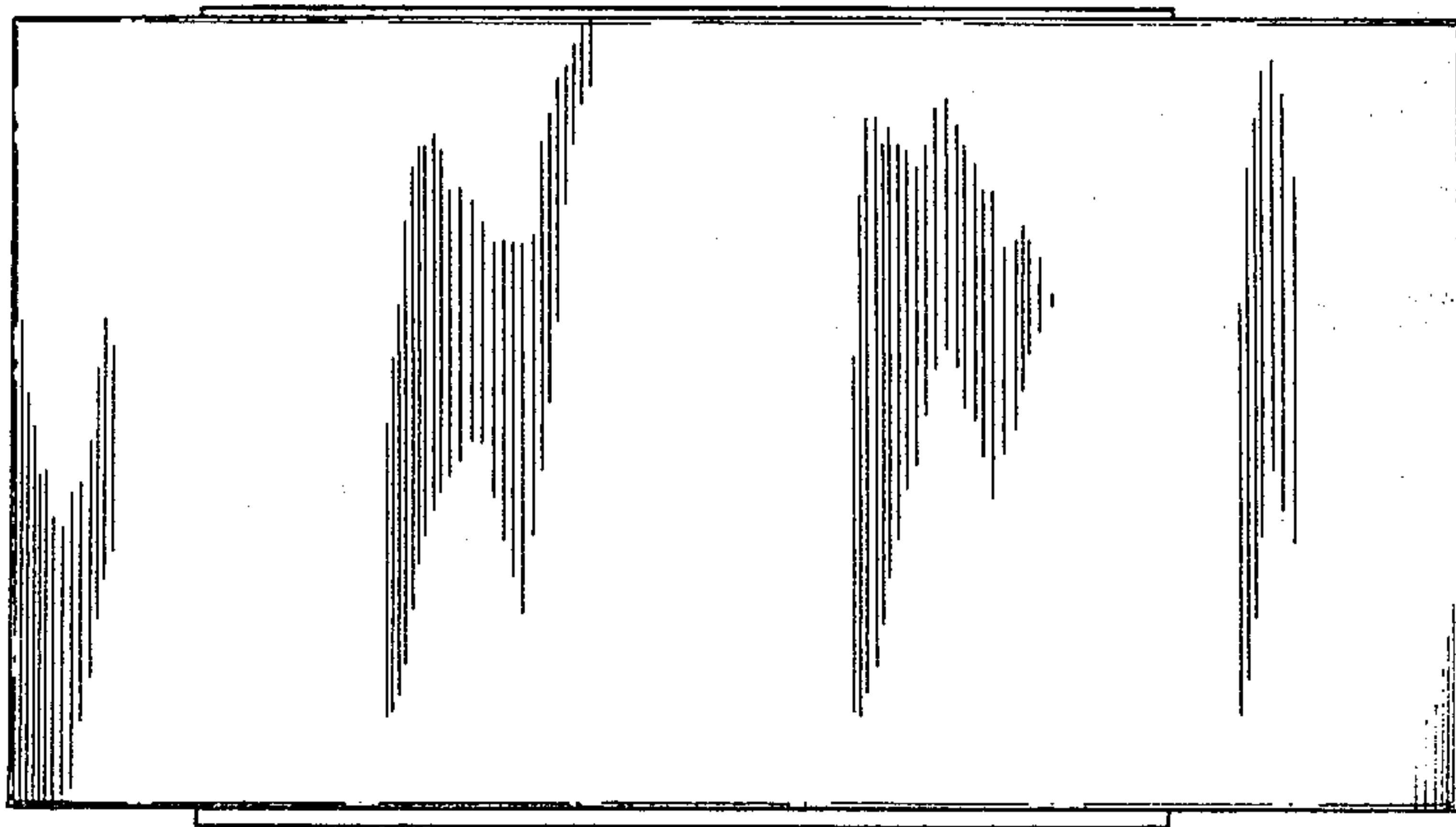


FIG. 8