

[54] PACKAGING TRAY INSERT FOR A CONTAINER

[75] Inventor: Jeffrey H. Diamond, Palm Beach, Fla.

[73] Assignee: J. H. Diamond Company, Lake Worth, Fla.

[**] Term: 14 Years

[21] Appl. No.: 469,058

[22] Filed: Feb. 23, 1983

[52] U.S. Cl. D9/456; D9/345; D9/347

[58] Field of Search D9/341, 345, 347, 424, D9/432, 420, 456; 206/557, 562, 563, 564; 220/1 R, 20; 229/27, 15

[56] References Cited

U.S. PATENT DOCUMENTS

- D. 30,427 3/1899 Becton D9/341
- D. 200,839 4/1965 Melik D9/456 X

- D. 202,580 10/1965 Weiss D9/456
- D. 255,310 6/1980 Spencer D9/347 X
- D. 266,147 9/1982 McIntosh et al. D9/345
- D. 268,130 3/1983 Easton D9/347 X
- 4,085,845 4/1978 Perfect 206/45.19 X

Primary Examiner—Robert C. Spangler
Attorney, Agent, or Firm—Pollock, VandeSande & Priddy

[57] CLAIM

The ornamental design for a packaging tray insert for a container, substantially as shown and described.

DESCRIPTION

FIG. 1 is a top perspective view of a packaging tray insert for a container showing my new design, with a container being shown in broken lines for the purpose of illustrating environmental use only;

FIG. 2 is a top plan view;

FIG. 3 is a front elevational view;

FIG. 4 is a rear elevational view;

FIG. 5 is a side elevational view; and

FIG. 6 is a bottom plan view thereof.

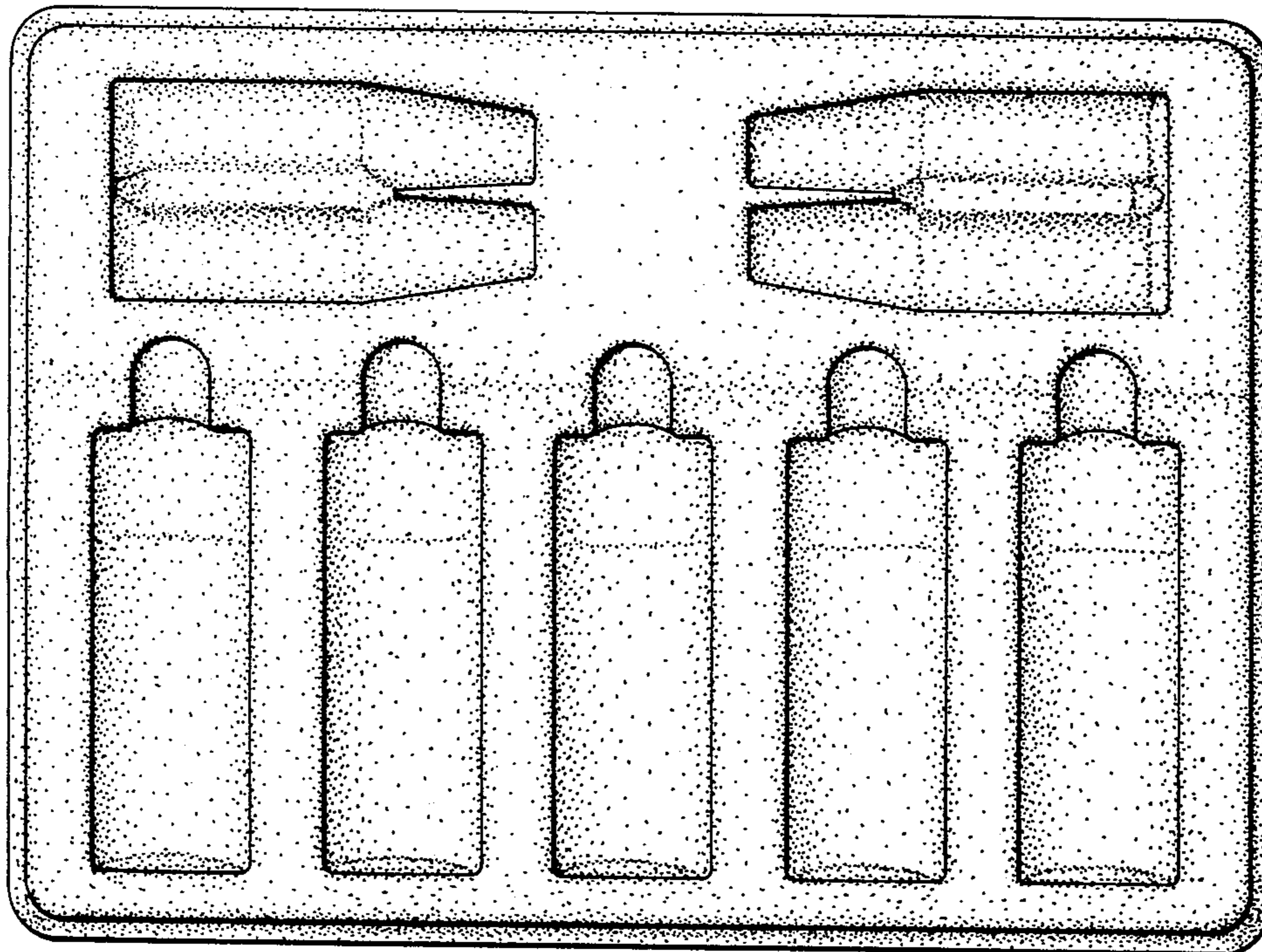


FIG. 1

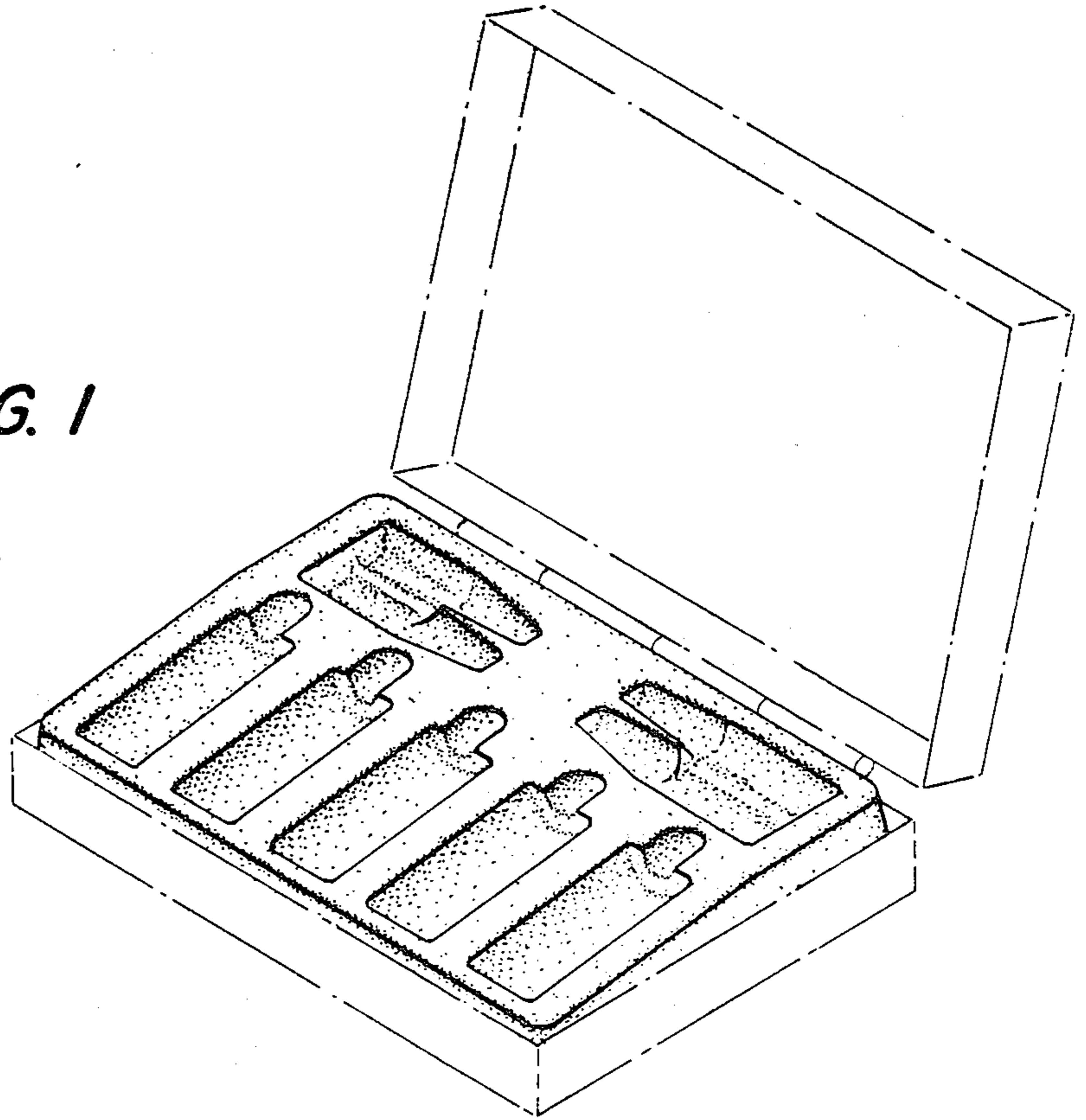
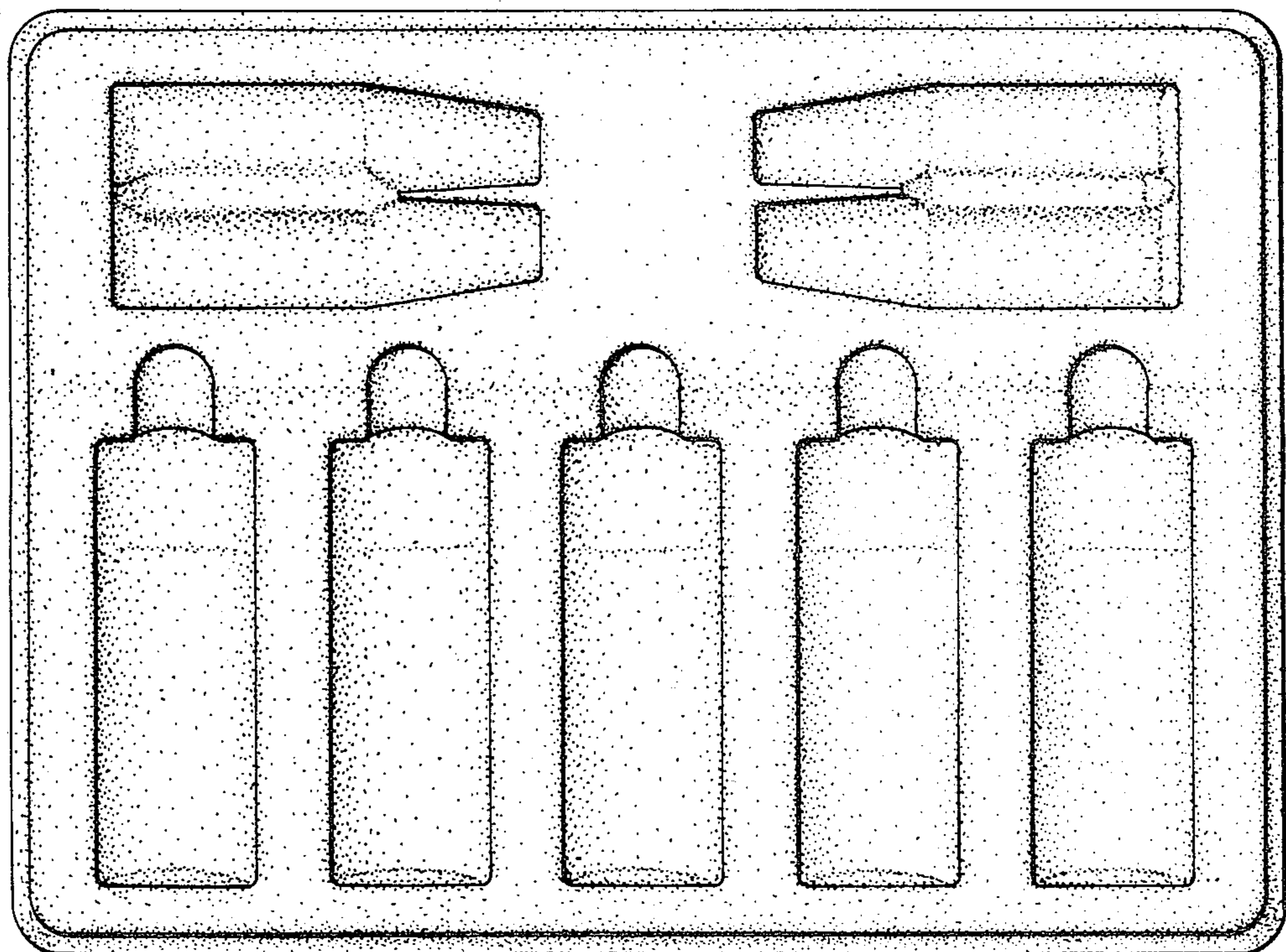


FIG. 2



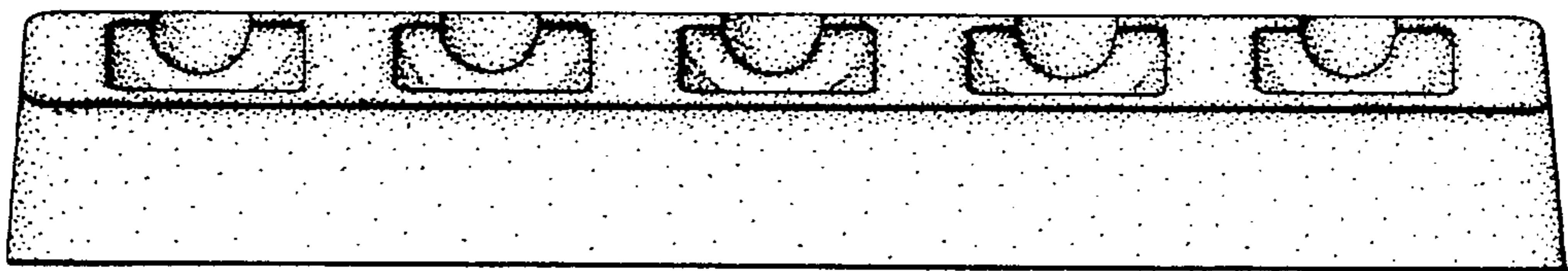


FIG. 3

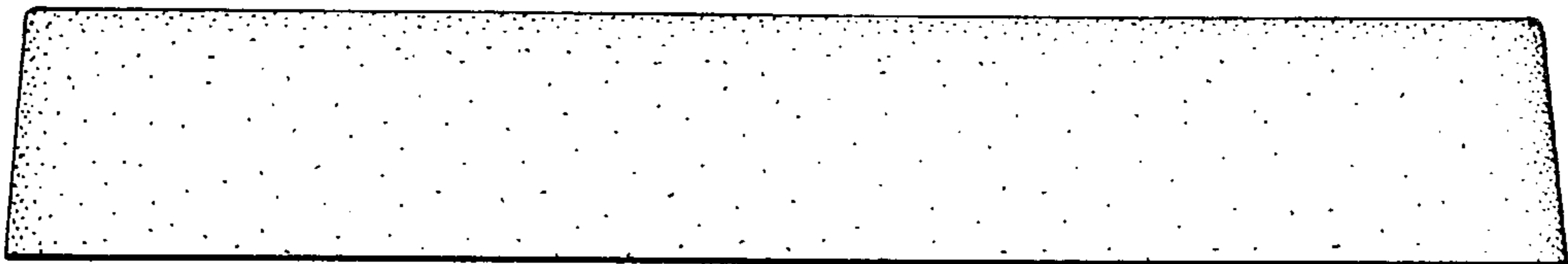


FIG. 4

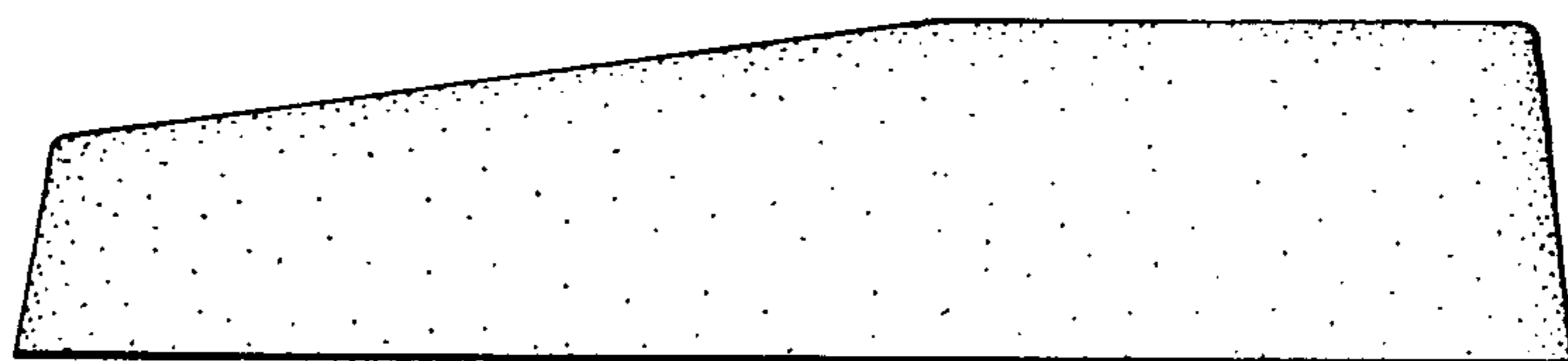


FIG. 5

FIG. 6

