

[54] INJECTION HATCHET FOR TREATING DISEASED OR UNWANTED TREES

[76] Inventor: Michael Newton, 149 Peterson Rd., Philomath, Oreg. 97370

[**] Term: 14 Years

[21] Appl. No.: 562,299

[22] Filed: Dec. 16, 1983

[52] U.S. Cl. D8/76; D8/7

[58] Field of Search D8/75-81, D8/7; 145/29 R, 29 A, 29 B, 29 C, 29 D, 30 R, 30 A, 30.5, 61 M, 36; 47/57.5

[56] References Cited

U.S. PATENT DOCUMENTS

D. 35,720	2/1902	David	D8/7
D. 212,165	9/1968	Newton	D8/76
D. 266,141	9/1982	Nannen	D8/76
946,322	1/1910	Blake	D8/7

Primary Examiner—Susan J. Lucas
Assistant Examiner—C. E. Heflin
Attorney, Agent, or Firm—Ralph B. Pastoriza

[57] CLAIM

The ornamental design for an injection hatchet for treating diseased or unwanted trees, substantially as shown.

DESCRIPTION

FIG. 1 is a perspective view of an injection hatchet for treating diseased or unwanted trees showing my new design;

FIG. 2 is a side elevational view thereof;

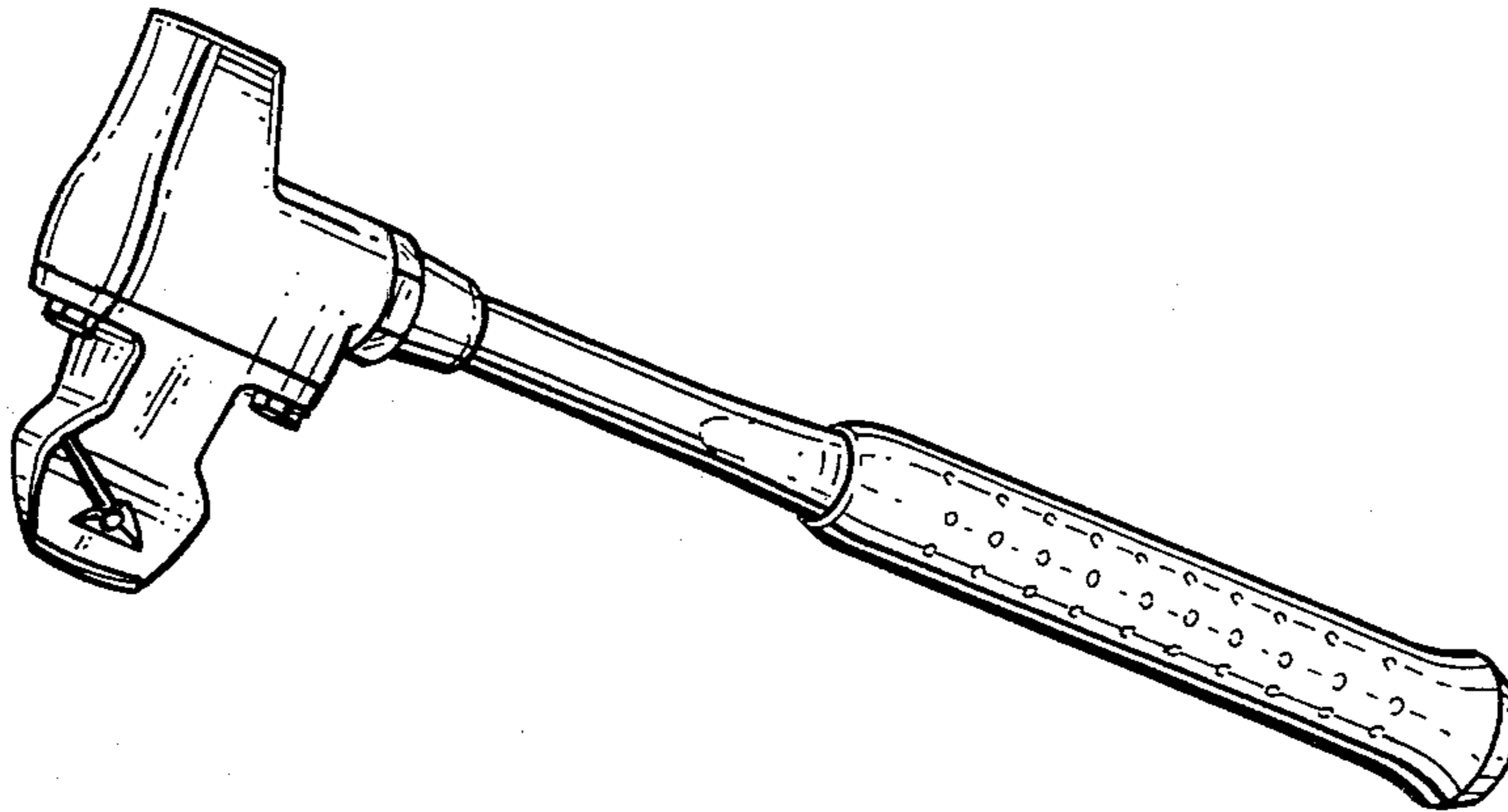
FIG. 3 is a bottom plan view thereof;

FIG. 4 is a side elevational view thereof showing the opposite side from that shown in FIG. 2;

FIG. 5 is a top plan view thereof;

FIG. 6 is a front end view thereof; and

FIG. 7 is a rear end view thereof.



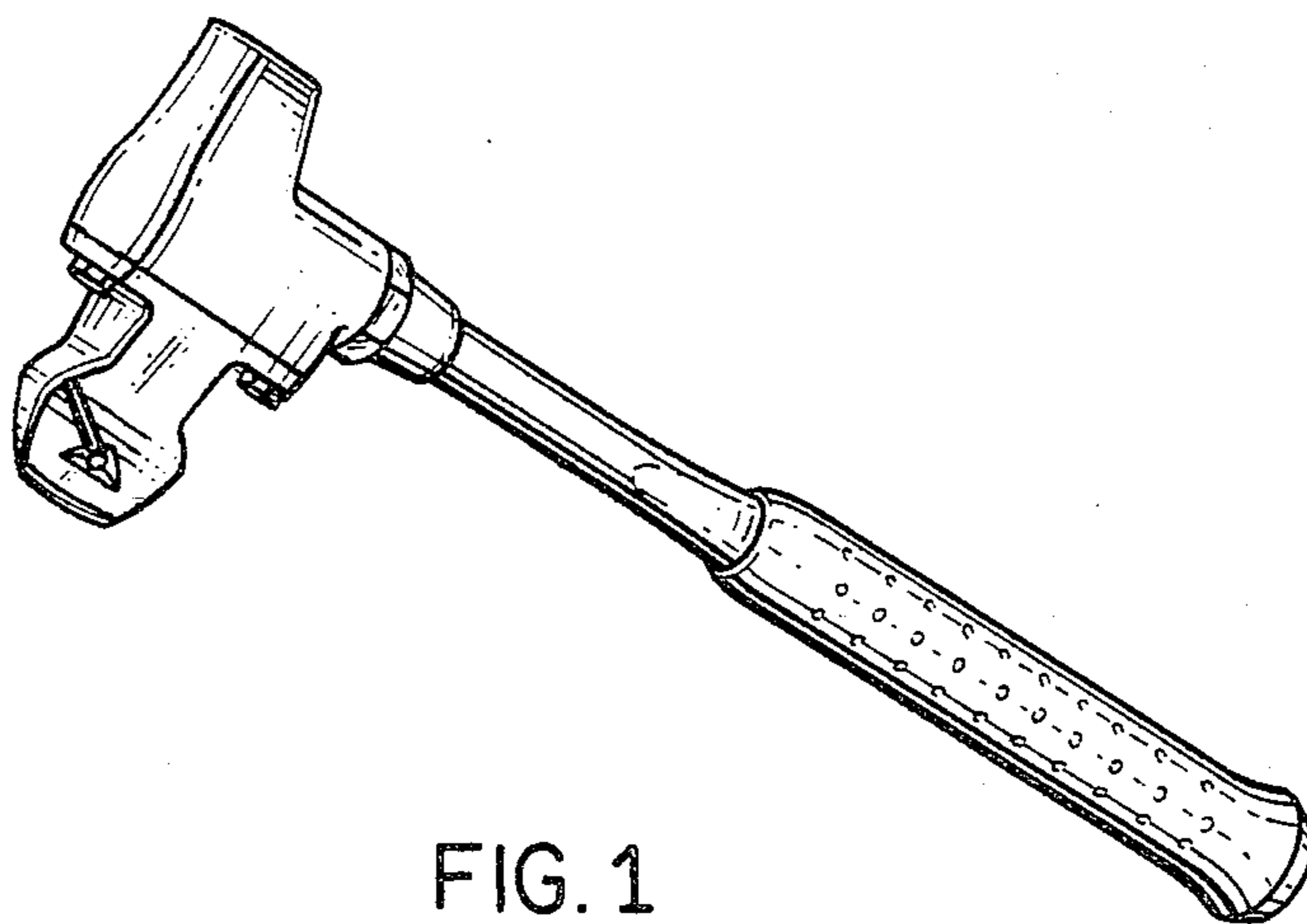


FIG. 1

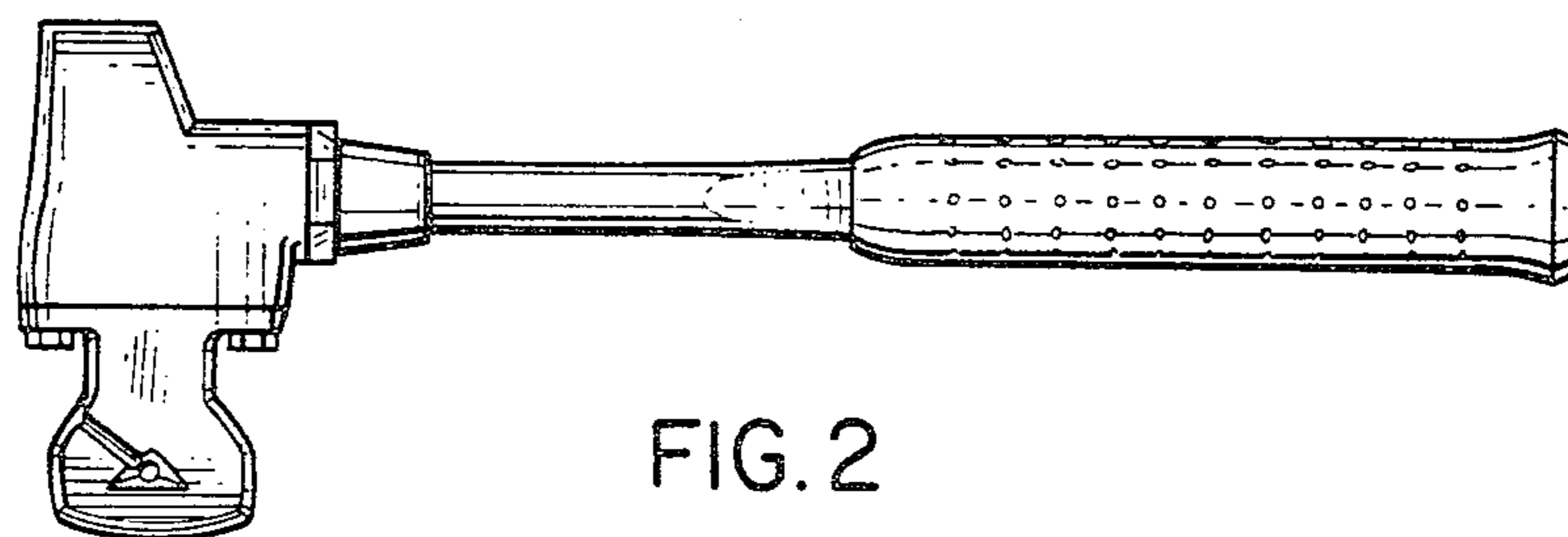


FIG. 2

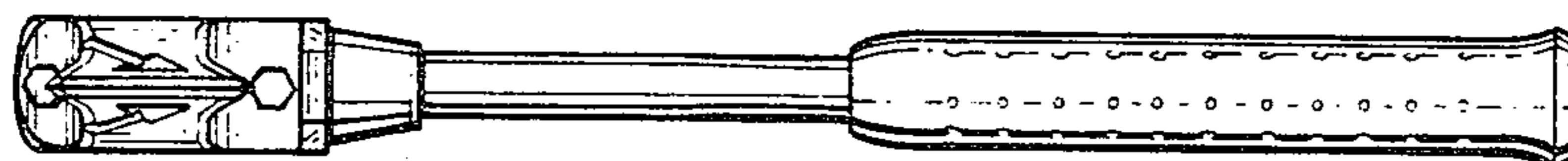


FIG. 3

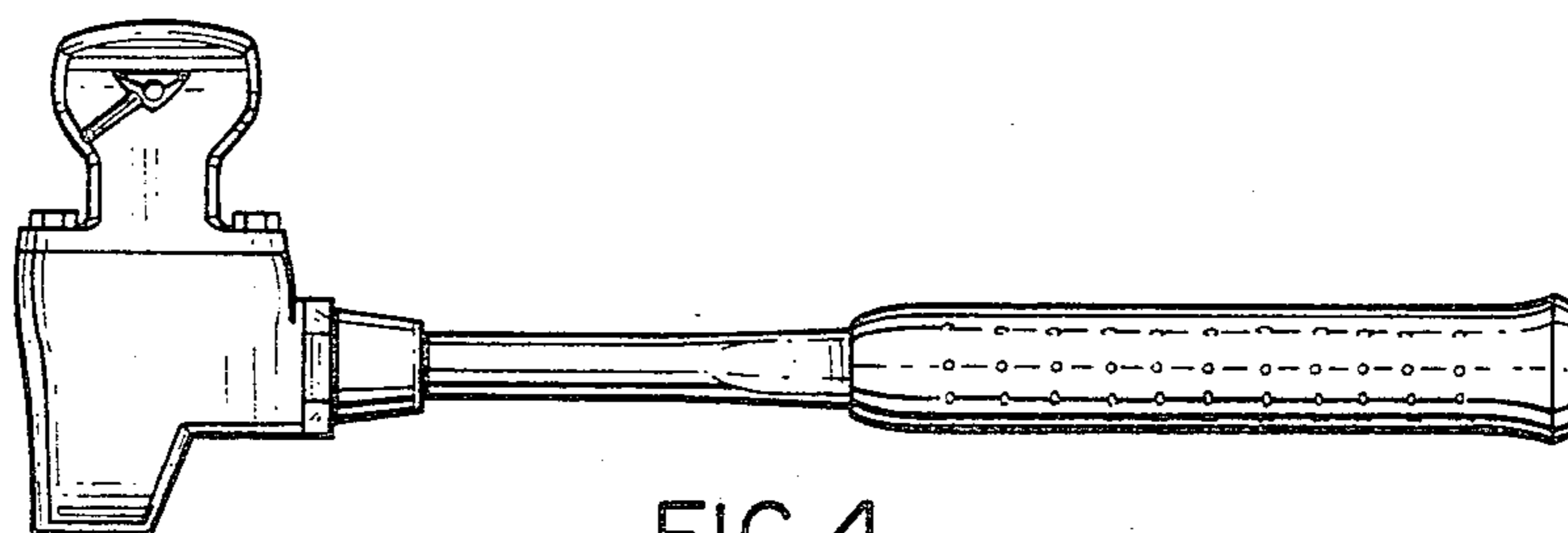


FIG. 4



FIG. 5

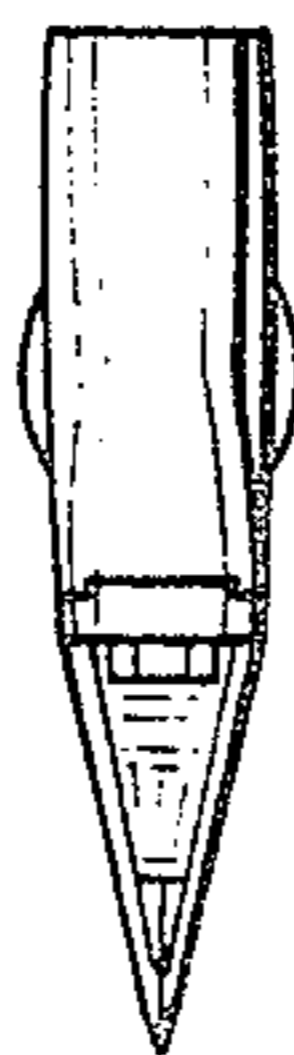


FIG. 6

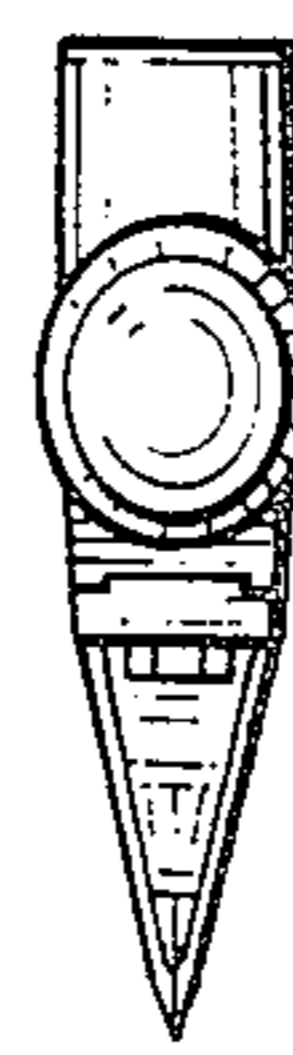


FIG. 7