

[54] **COVERED CONTAINER OR THE LIKE**

[75] **Inventor: Martin J. Wolff, North Providence, R.I.**

[73] **Assignee: Dart Industries Inc., Northbrook, Ill.**

[\*\*] **Term: 14 Years**

[21] **Appl. No.: 462,827**

[22] **Filed: Feb. 1, 1983**

[52] **U.S. Cl. .... D7/79**

[58] **Field of Search ..... D7/79, 76, 16; D9/425; 150/55; 220/4 B, 306, 352, 356**

[56] **References Cited**

**U.S. PATENT DOCUMENTS**

D. 175,202	7/1955	Tupper	.....	D44/1
D. 216,214	12/1969	Daenen	.....	D44/5
D. 220,448	4/1971	Swett	.....	D44/1
D. 232,065	7/1974	Daenen	.....	D7/16
D. 234,568	3/1975	Swett	.....	D7/16
D. 235,406	6/1975	Daenen	.....	D7/76
D. 238,137	12/1975	Swett	.....	D7/79
D. 238,148	12/1975	Dilot	.....	D9/425 X
D. 241,599	9/1976	Croyle	.....	D7/76
D. 246,289	11/1977	Boucher	.....	D9/240
D. 246,560	12/1977	Beauchamp et al.	.....	D7/16 X
D. 266,049	9/1982	Conti	.....	D7/76

D. 267,395	12/1982	Groenewold et al.	.....	D9/425
D. 270,418	9/1983	Conti	.....	D7/76
2,695,645	11/1954	Tupper	.....	150/55
2,984,382	5/1961	Florsheim, Jr.	.....	150/55 X
3,426,935	2/1969	Swett	.....	150/55 X
3,863,833	2/1975	Swett	.....	229/43

**OTHER PUBLICATIONS**

*Better Homes & Gardens* 8-74, p. 94, Item A, Green Tupperware Container.

*Primary Examiner*—Bernard Ansher

*Assistant Examiner*—Linda Titolo

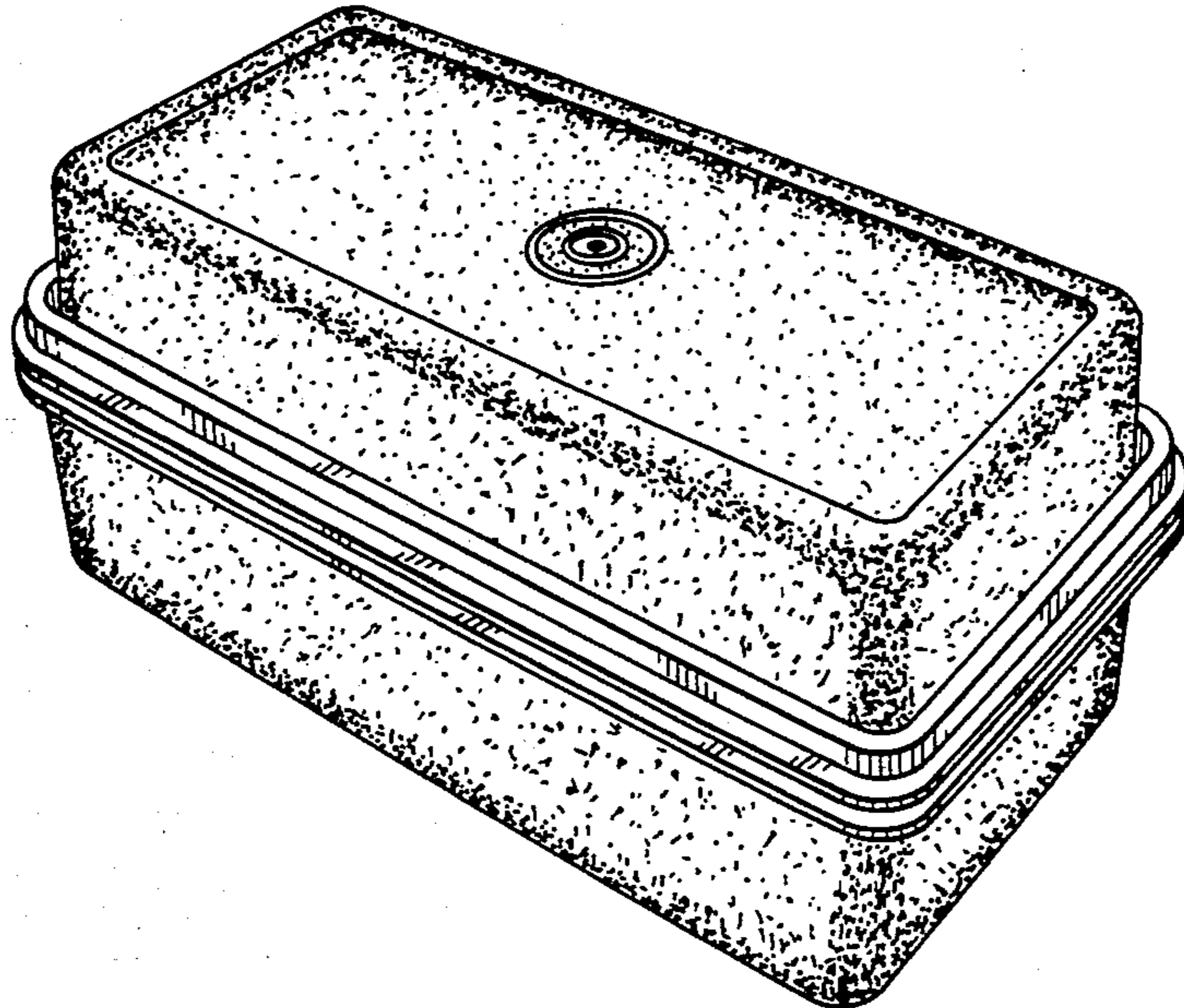
*Attorney, Agent, or Firm*—John A. Doninger

[57] **CLAIM**

The ornamental design for a covered container or the like, substantially as is shown.

**DESCRIPTION**

FIG. 1 is a top perspective view of the covered container or the like showing my new design; FIG. 2 is a top plan view thereof; FIG. 3 is a side elevational view thereof; FIG. 4 is an end elevational view thereof; FIG. 5 is a bottom plan view thereof; and FIG. 6 is a cross-sectional view taken along line 6—6 of FIG. 5.



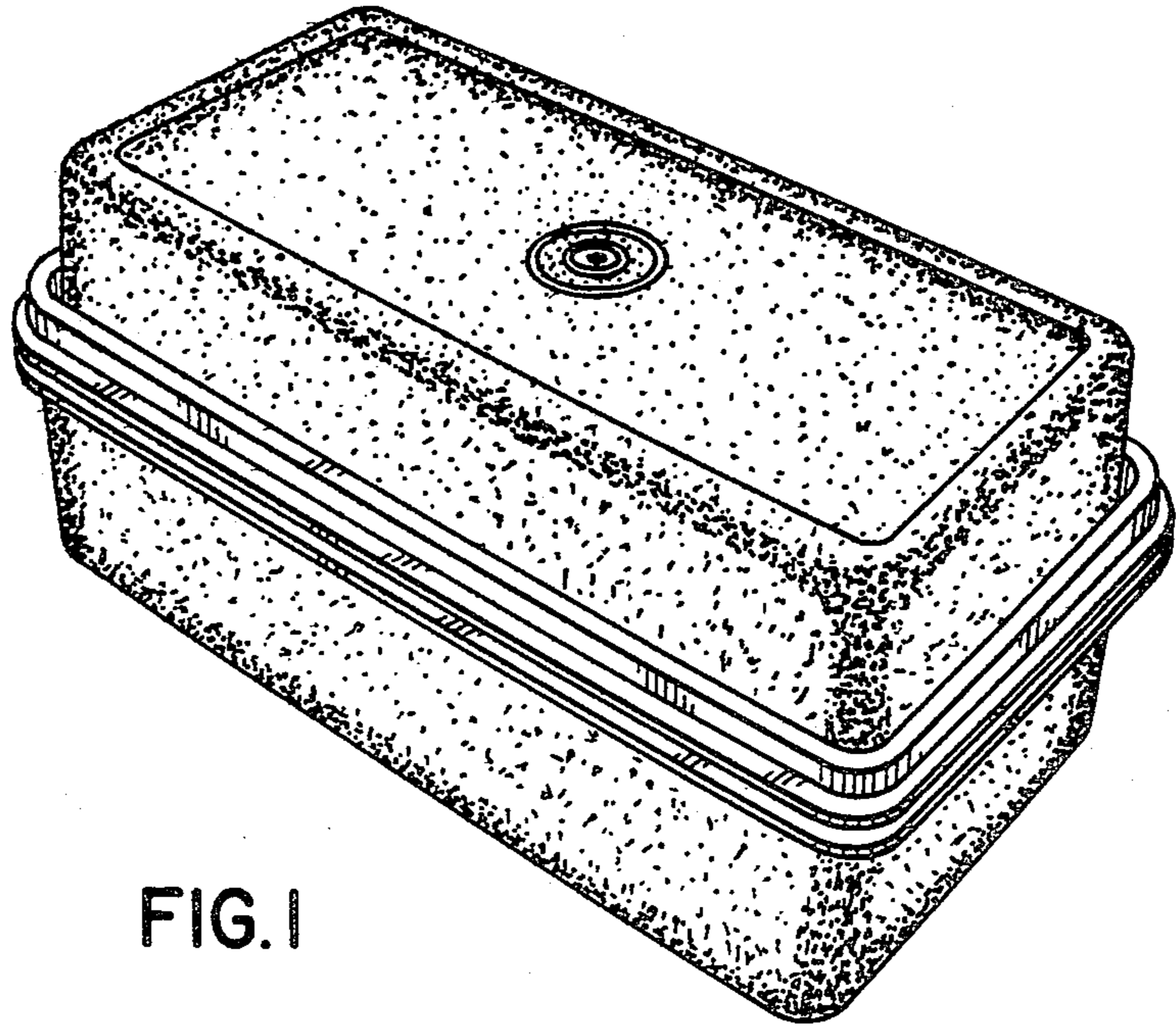


FIG. 1

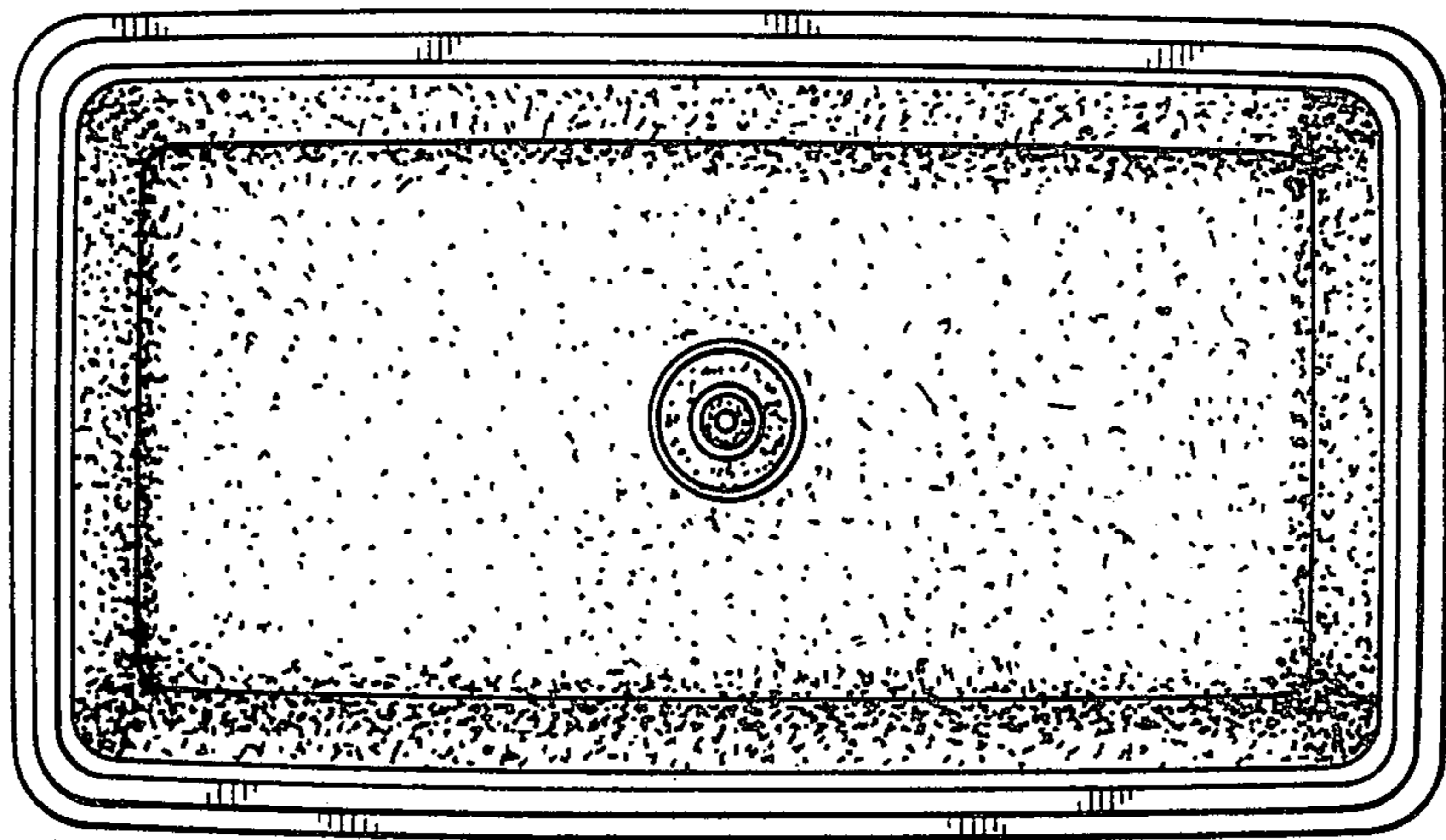


FIG. 2

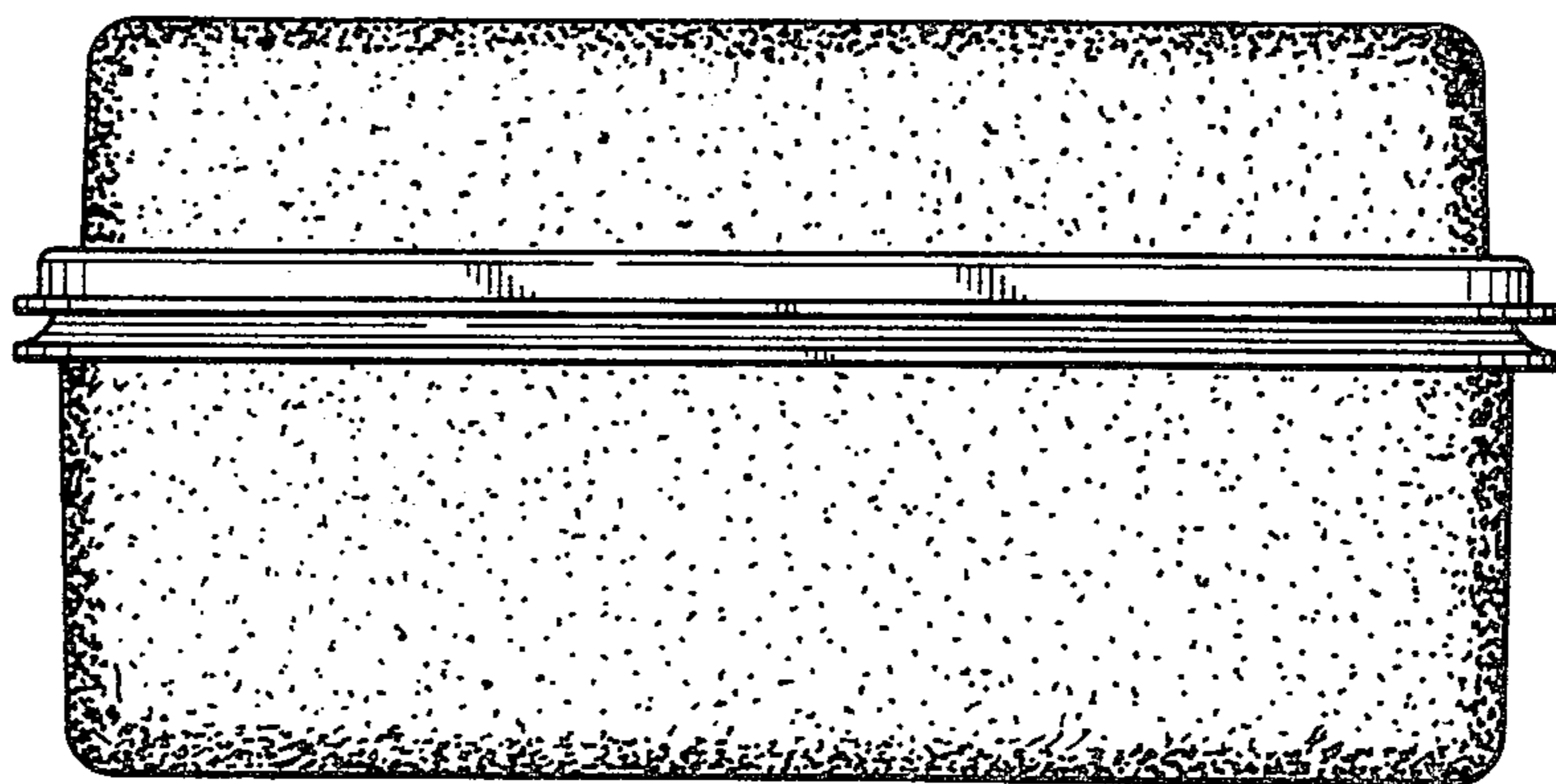


FIG. 3



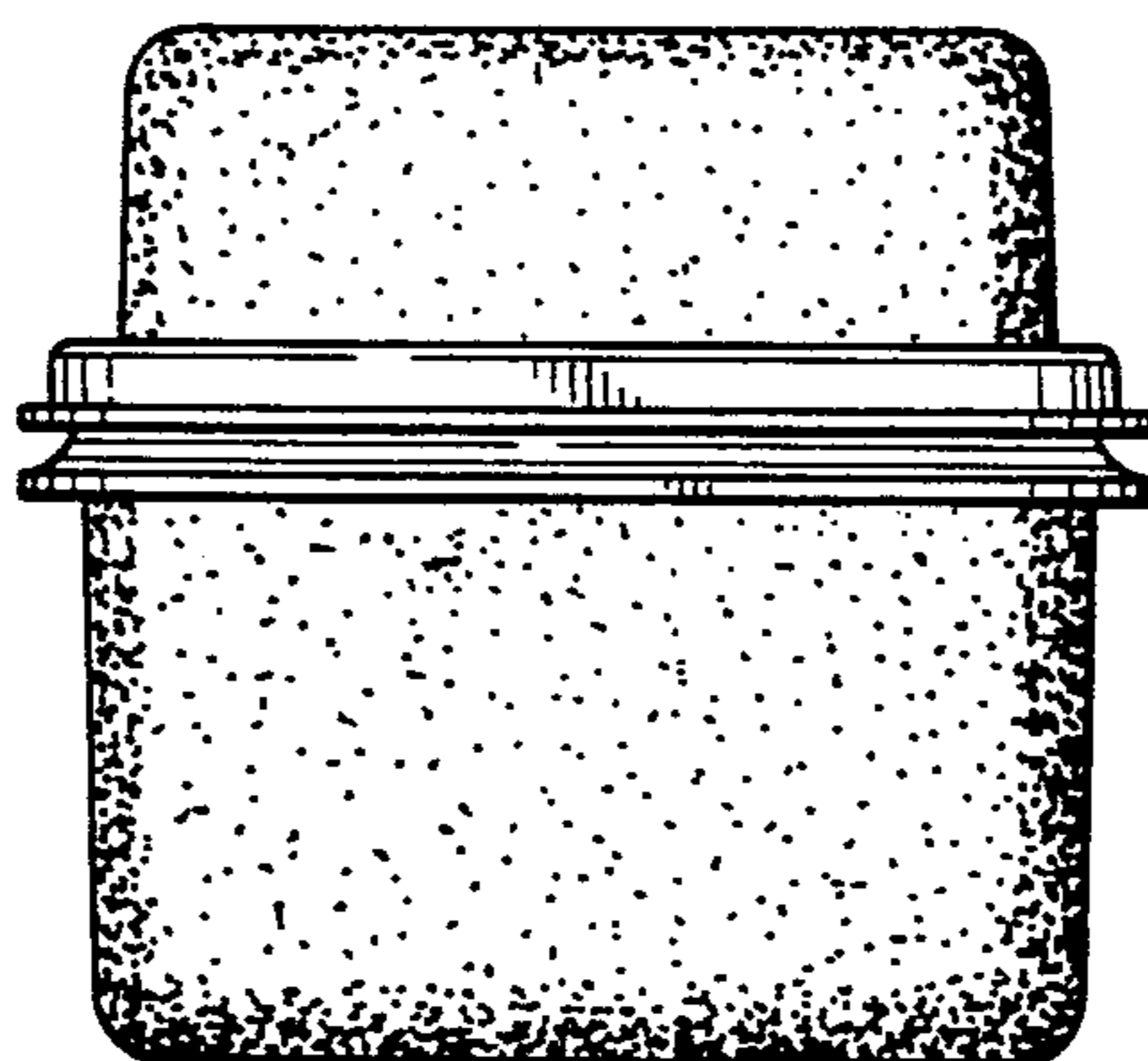


FIG. 4

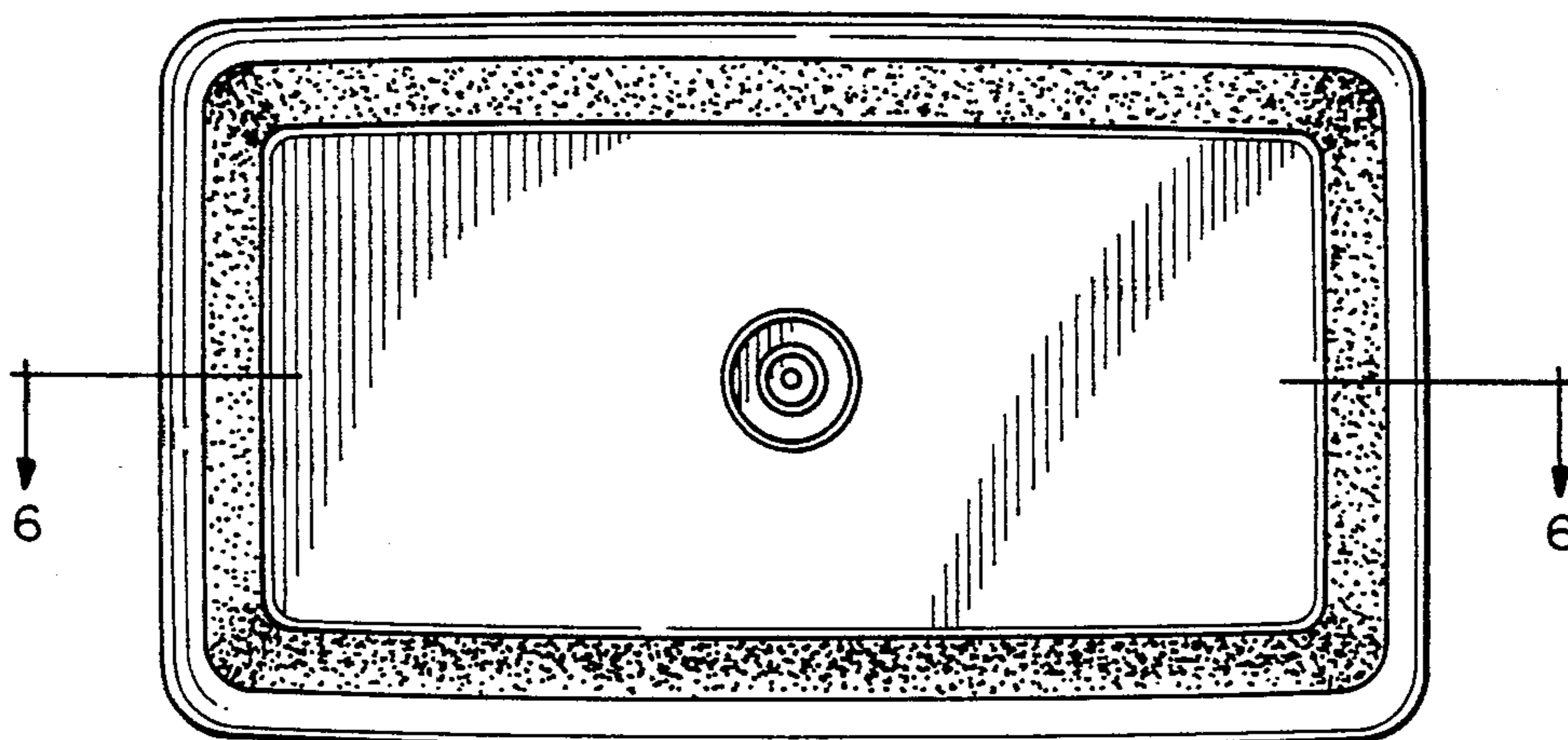


FIG. 5

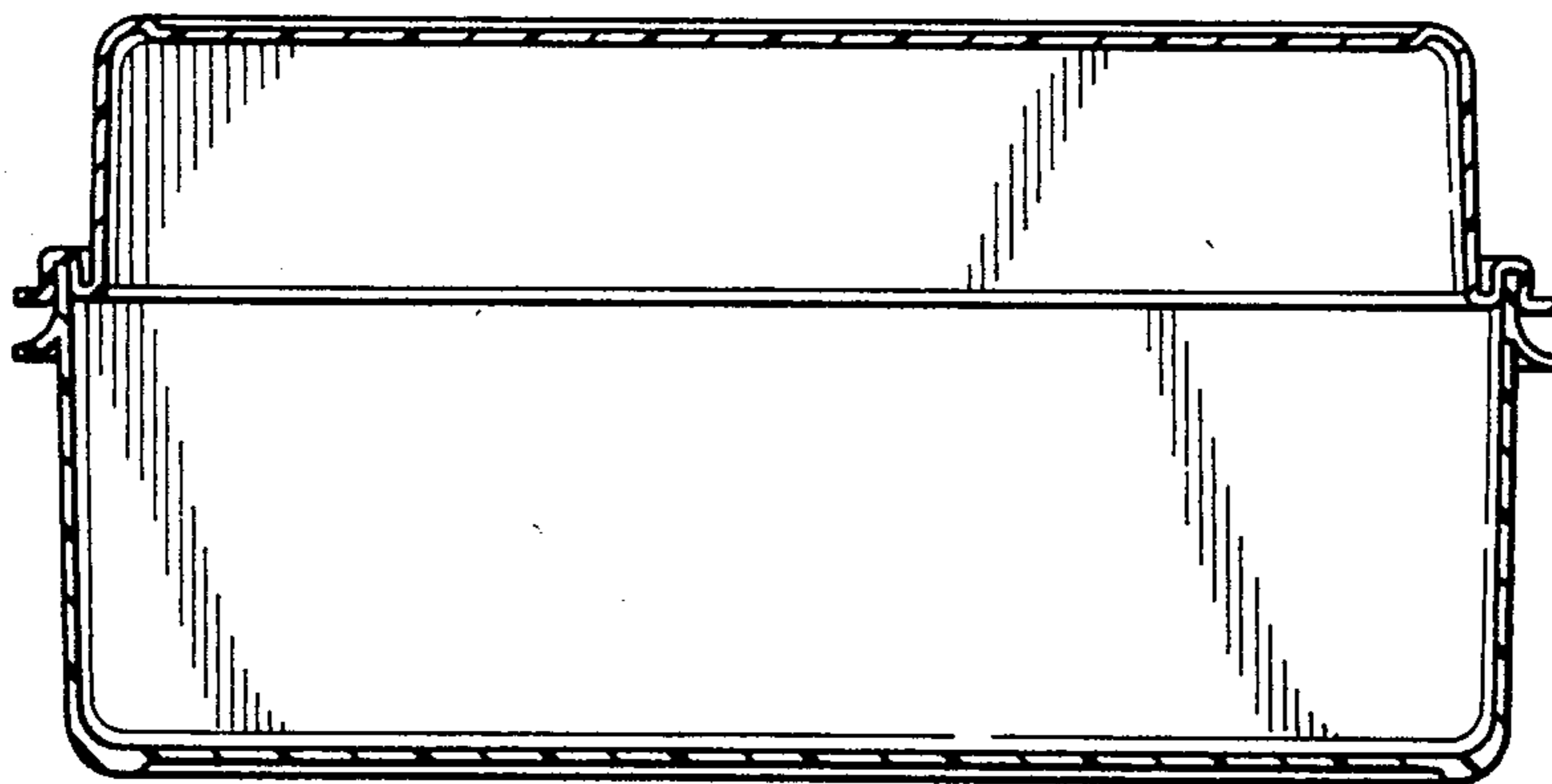


FIG. 6