

United States Patent [19]

Silver

[11] Patent Number: **Des. 280,958**

[45] Date of Patent: **** Oct. 15, 1985**

[54] **ATTACHMENT FOR A CIGARETTE RACK**

[75] Inventor: **William Silver, New York, N.Y.**

[73] Assignee: **Thomson-Leeds Company, Inc., New York, N.Y.**

[**] Term: **14 Years**

[21] Appl. No.: **412,563**

[22] Filed: **Aug. 30, 1982**

[52] U.S. Cl. **D6/517**

[58] Field of Search D6/181, 85, 130, 115,
D6/191, 199, 553, 567, 573, 574, 515, 517;
211/13, 49.1, 49 D, 50; 312/42, 50; D27/48

[56] **References Cited**

U.S. PATENT DOCUMENTS

D. 187,668 4/1960 Bauer D6/517
D. 189,261 11/1960 Yoshizumi D6/515

D. 241,995 10/1976 Mihos D6/517
D. 249,764 10/1978 Burklacich D6/517
D. 254,283 2/1980 Dolphin, Sr. et al. D6/191
D. 254,526 3/1980 Dolphin, Sr. et al. D6/191
2,922,552 1/1960 Berger et al. D6/130 X

Primary Examiner—Carmen H. Vales
Attorney, Agent, or Firm—Howard C. Miskin

[57] **CLAIM**

The ornamental design for an attachment for a cigarette rack, as shown and described.

DESCRIPTION

FIG. 1 is a left side perspective view of an attachment for a cigarette rack showing my new design;
FIG. 2 is a right side elevational view thereof;
FIG. 3 is a front elevational view thereof;
FIG. 4 is a rear elevational view thereof;
FIG. 5 is a top plan view thereof;
FIG. 6 is a bottom plan view thereof.

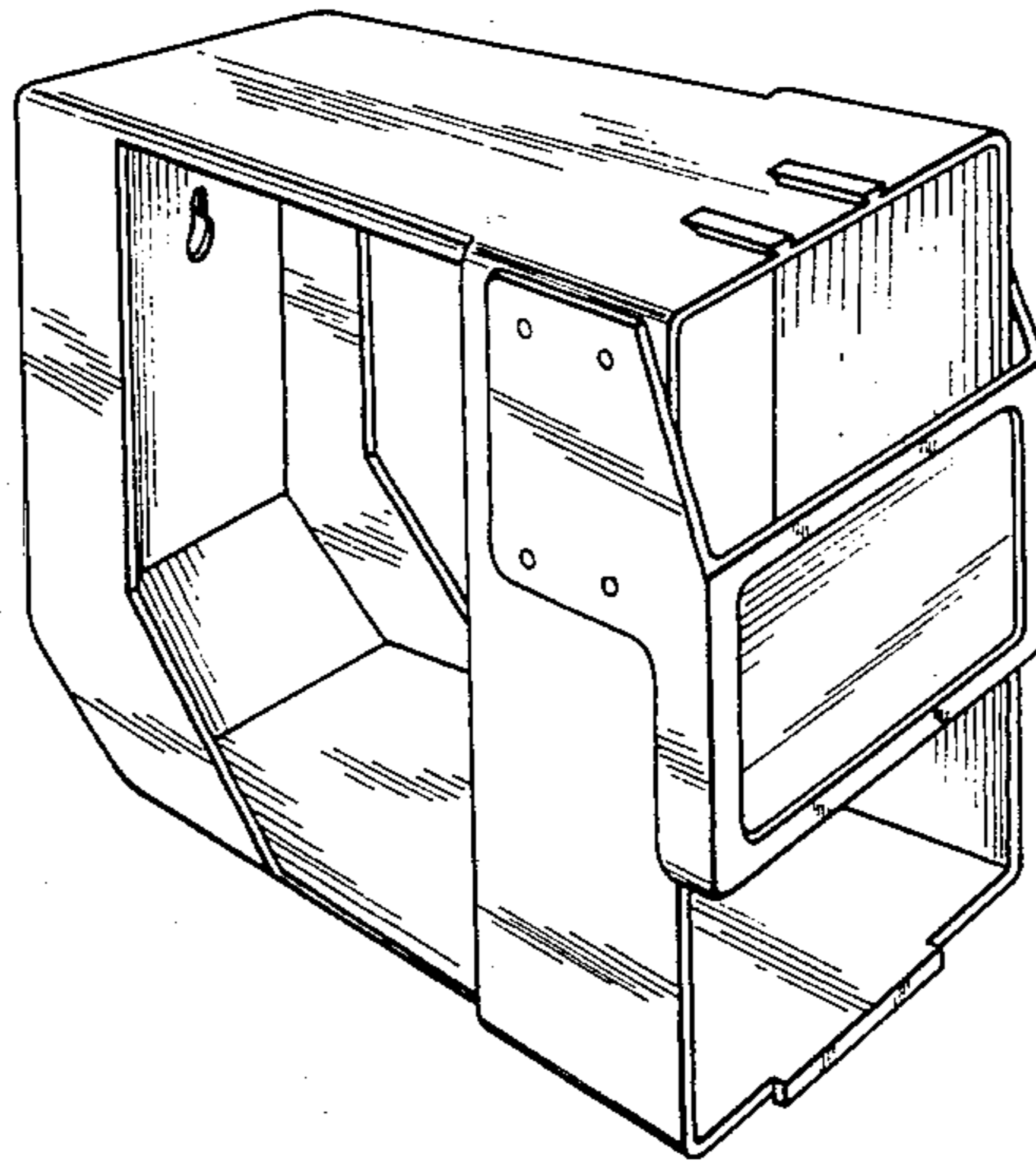


FIG. 1

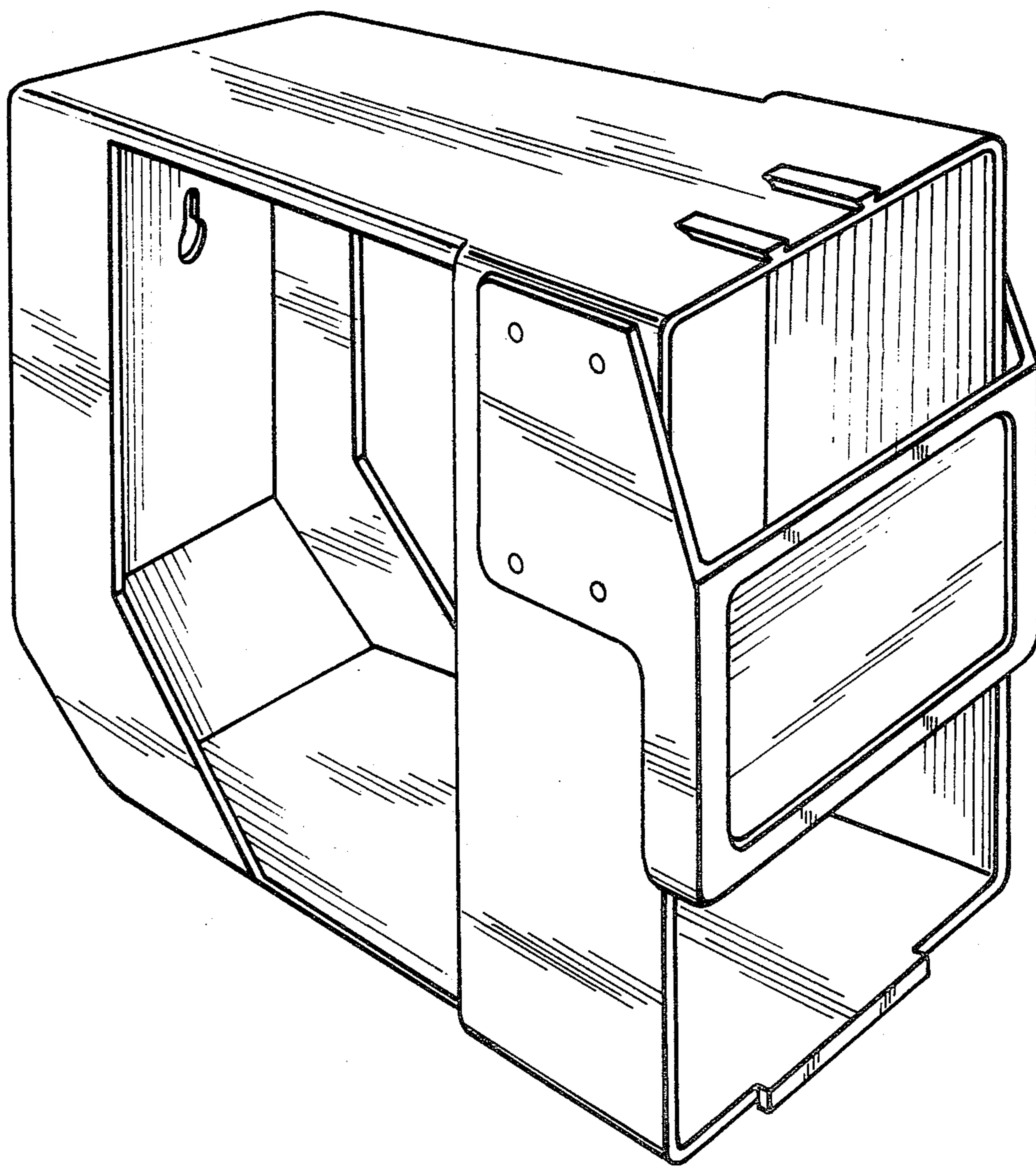


FIG. 2

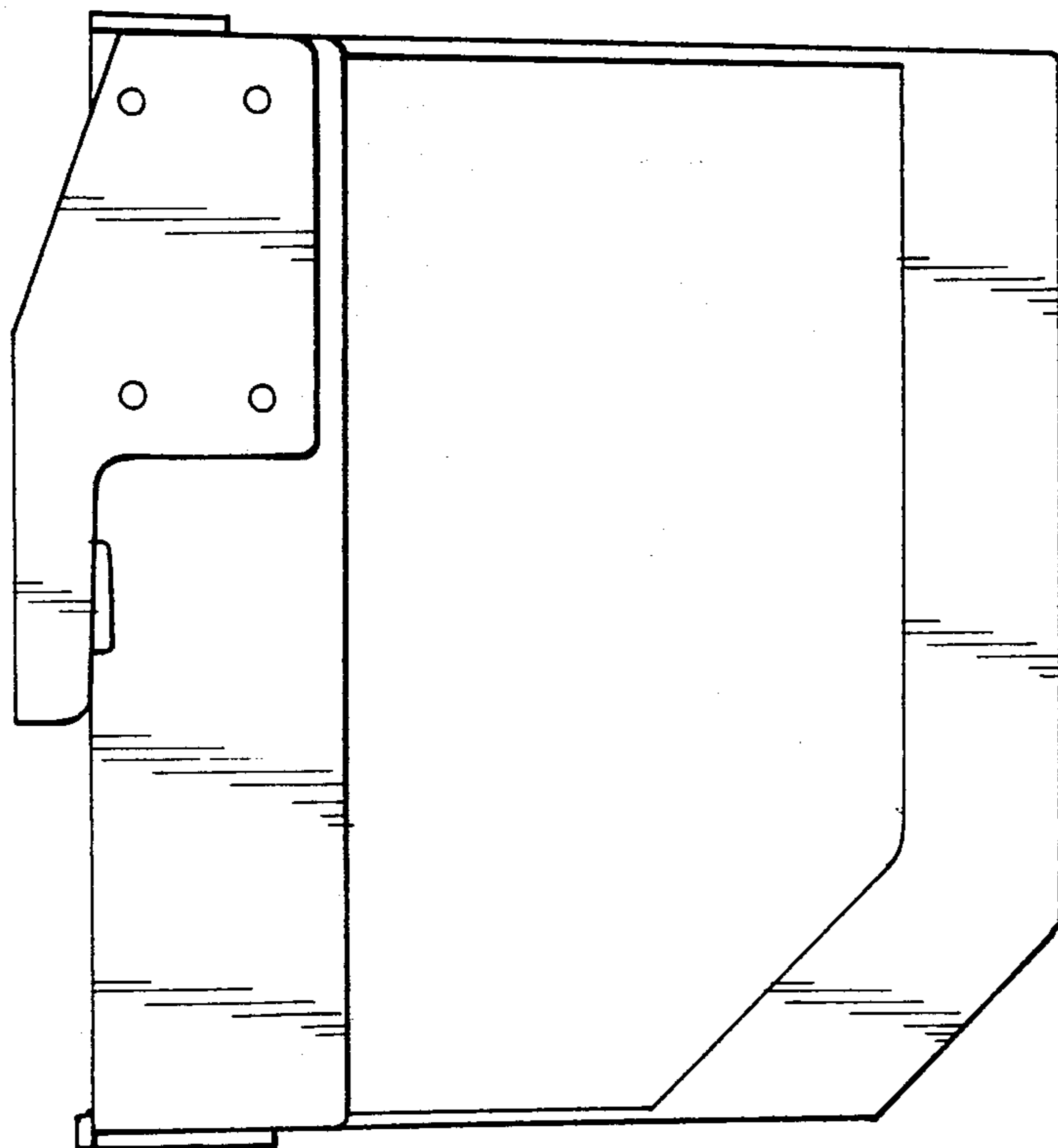


FIG. 3

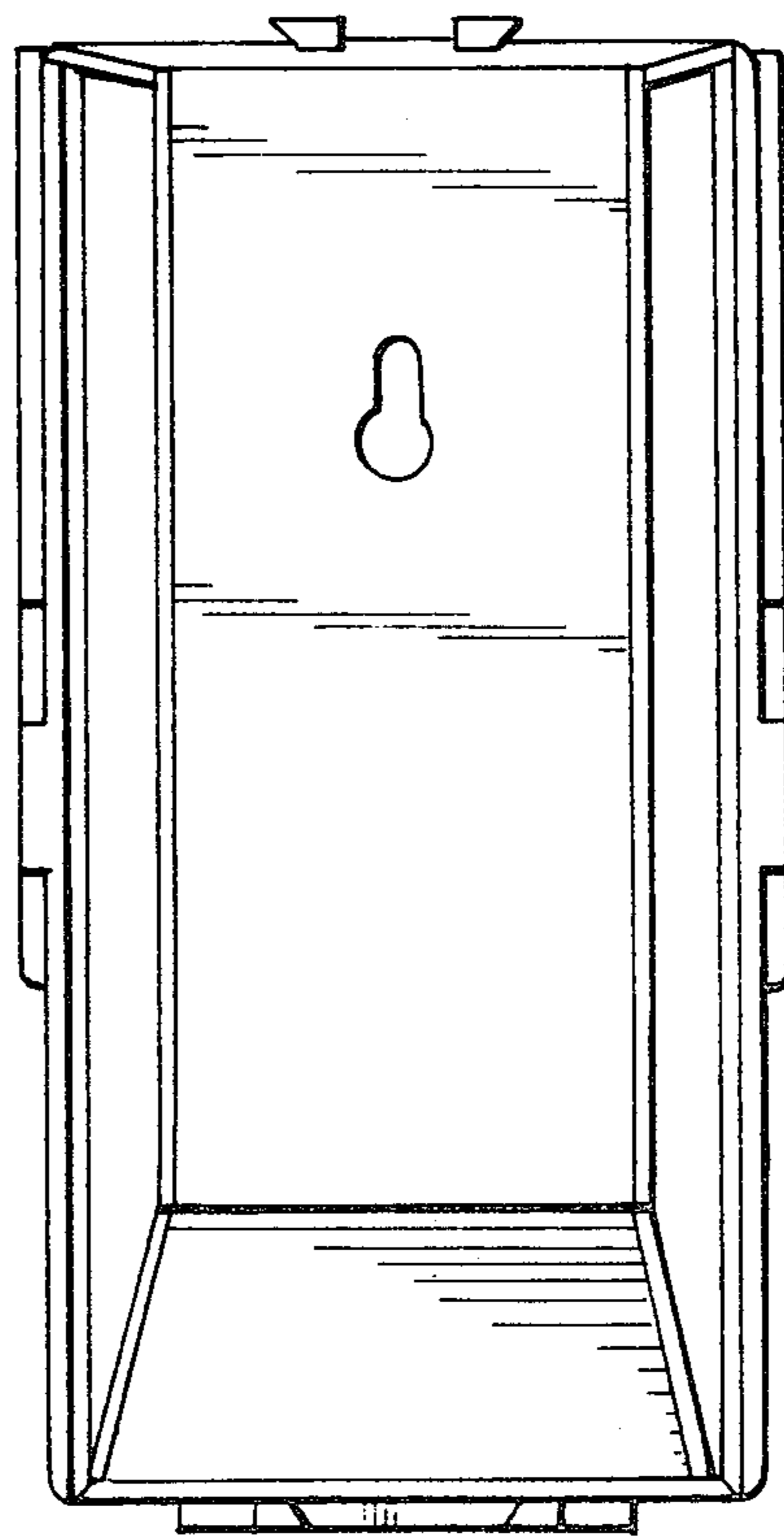
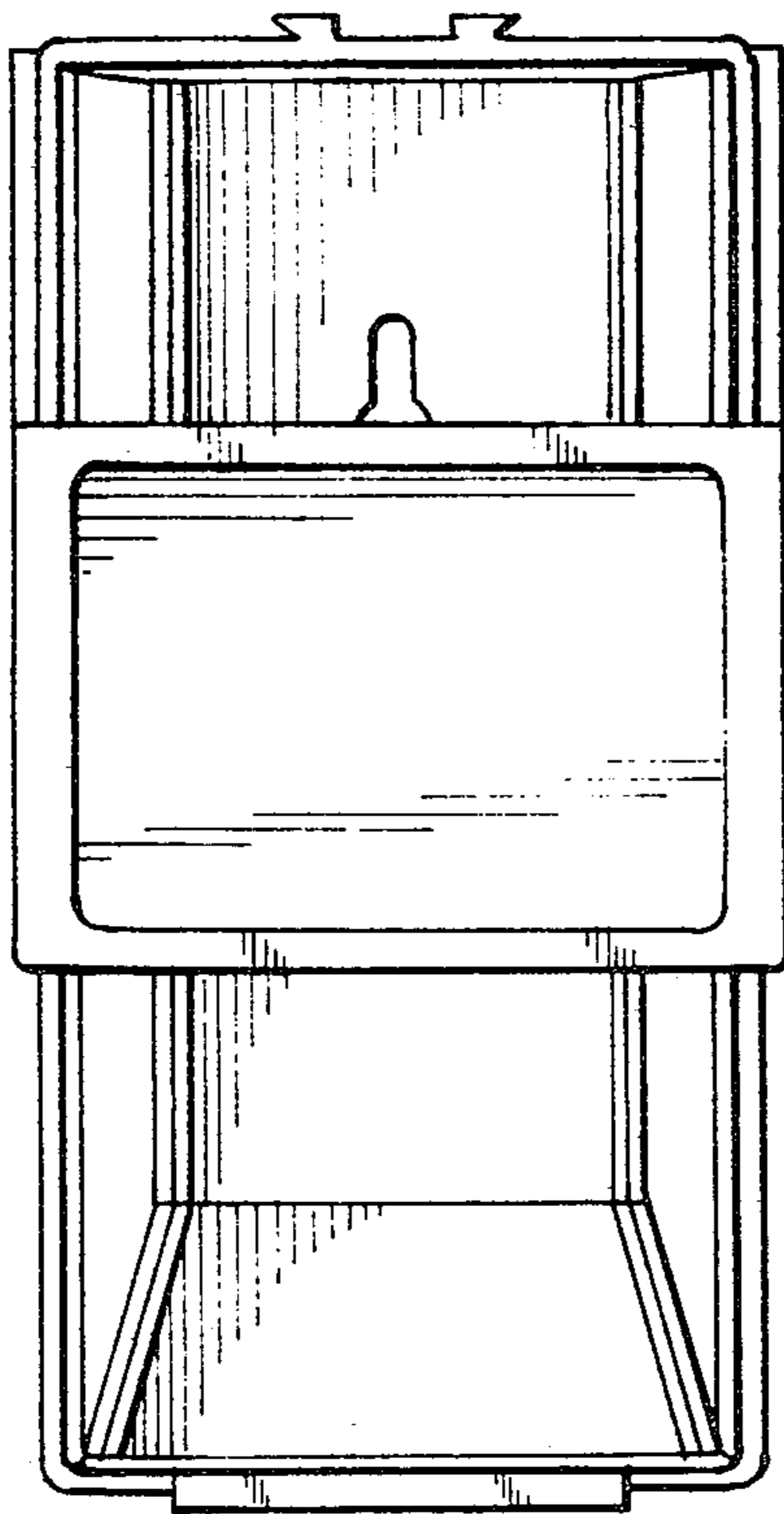


FIG. 4

FIG. 5

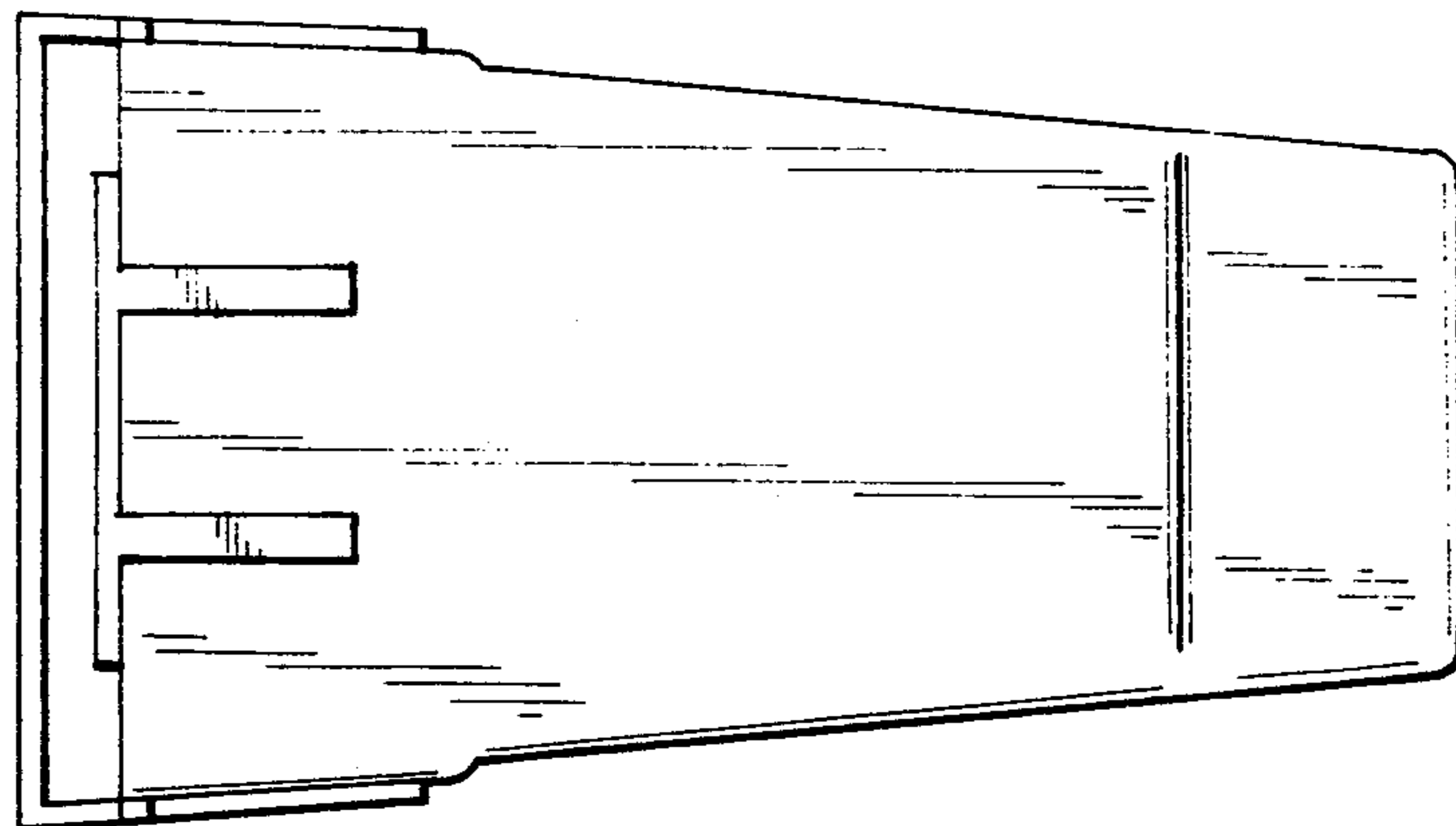
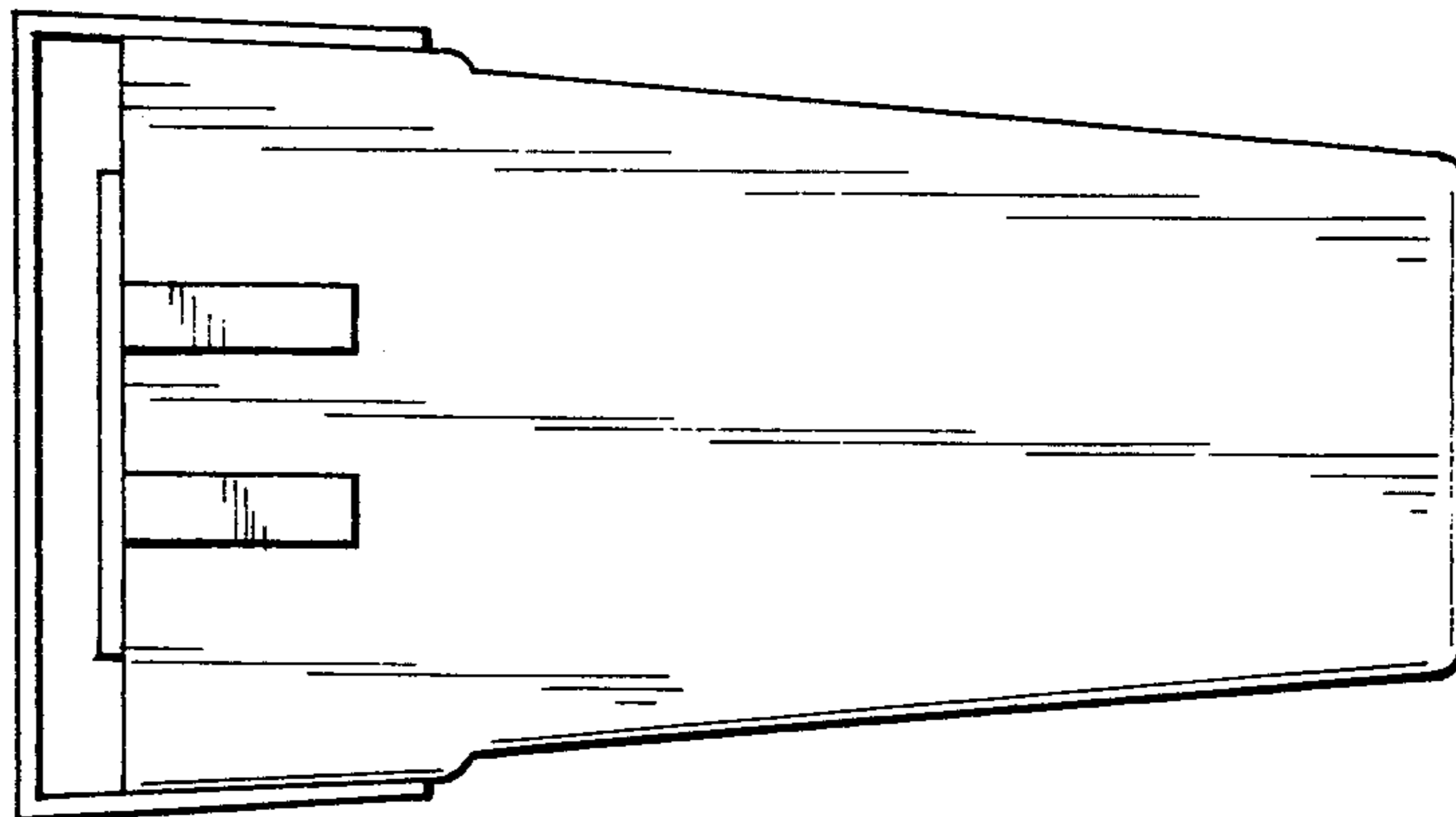


FIG. 6