

[54] **SCUBA TANK CARRIER**

[76] **Inventor: Stephen M. Paul**, 3396 Yankee Doodle Rd., Eagan, Minn. 55121

[**] **Term: 14 Years**

[21] **Appl. No.: 480,942**

[22] **Filed: Mar. 31, 1983**

[52] **U.S. Cl. D3/36; D3/30.1**

[58] **Field of Search D3/30.1, 31, 32, 36-38; D7/102, 70; 215/100 A; 294/149, 150, 157, 27 H, 31.2, 86 H**

[56] **References Cited**

U.S. PATENT DOCUMENTS

| | | | | |
|-----------|---------|------------|-------|----------|
| 2,524,639 | 10/1950 | Saunders | | D7/70 |
| 3,921,872 | 11/1975 | Buell, Jr. | | 294/31.2 |
| 3,923,222 | 12/1975 | Groves | | D3/30.1 |
| 4,336,899 | 6/1982 | Price | | D3/30.1 |

Primary Examiner—George P. Word
Attorney, Agent, or Firm—Burd, Bartz & Gutenkauf

[57] **CLAIM**

The ornamental design for a scuba tank carrier, substantially as shown and described.

DESCRIPTION

FIG. 1 is a perspective view of a scuba tank carrier showing my new design, the environmental structure shown in dotted lines being for illustrative purposes only;

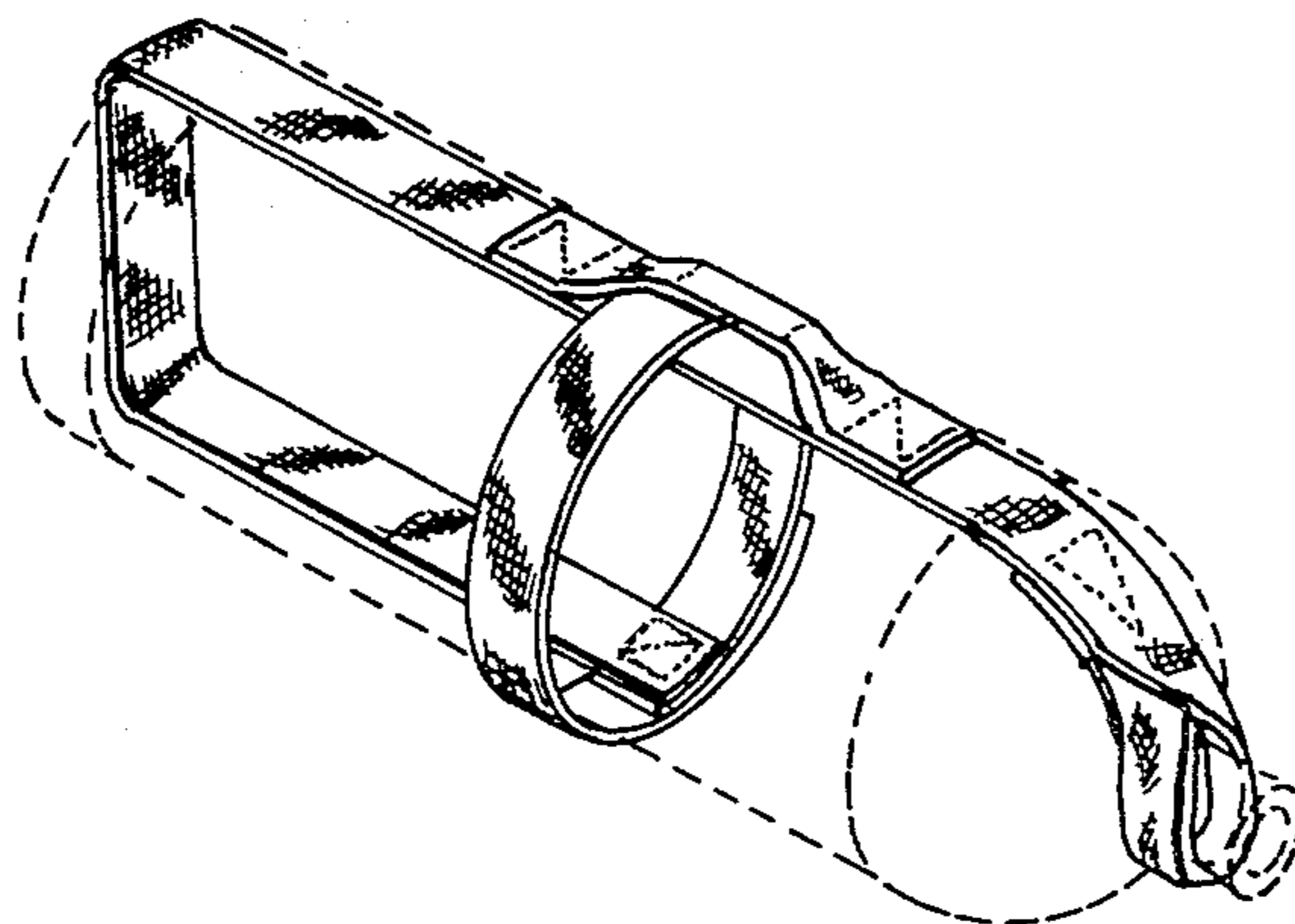
FIG. 2 is an enlarged scale front elevational view thereof;

FIG. 3 is an enlarged scale rear elevational view thereof;

FIG. 4 is a top plan view thereof;

FIG. 5 is a bottom plan view thereof; and

FIG. 6 is a right side elevational view thereof.



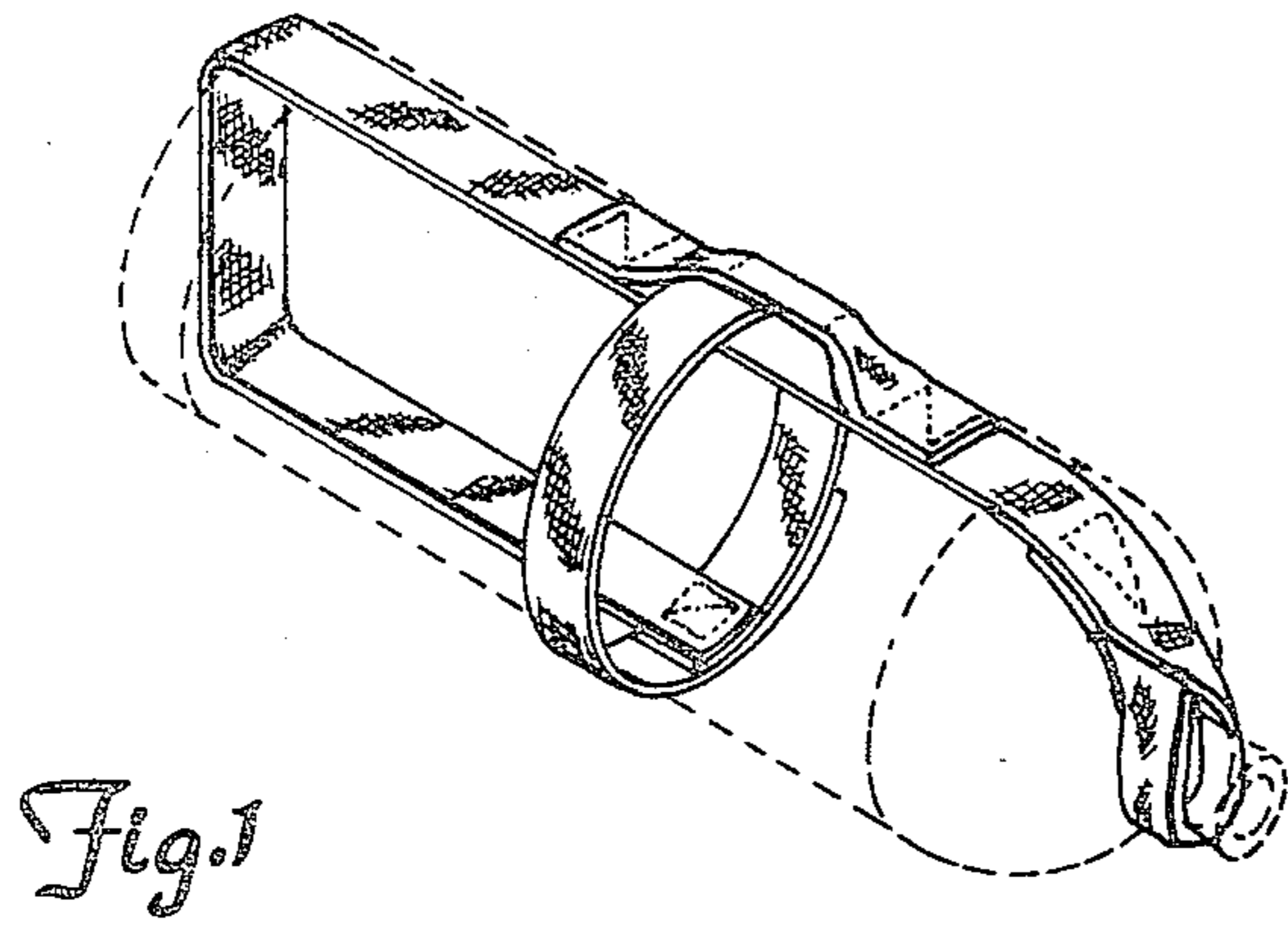


Fig. 1

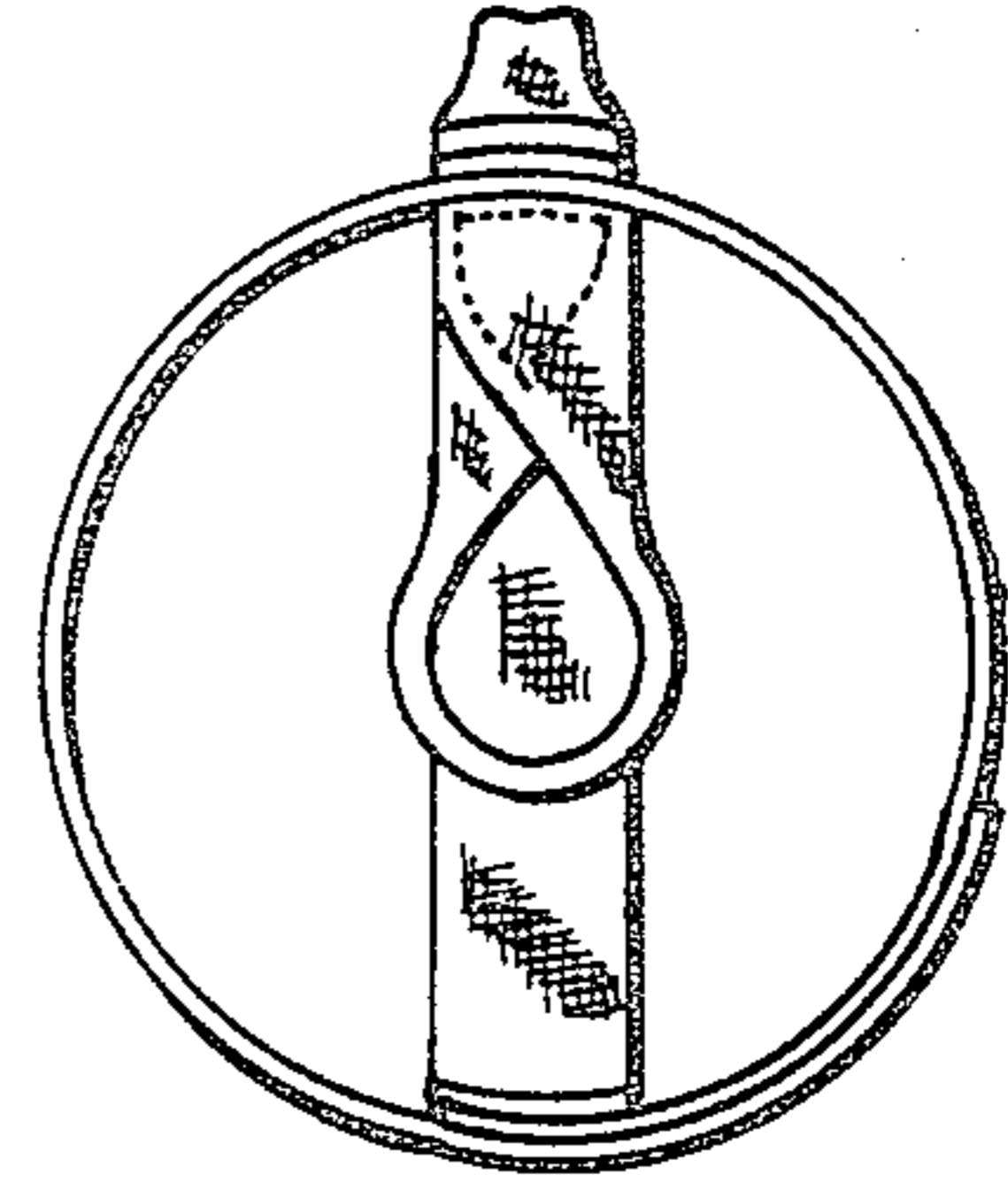


Fig. 2

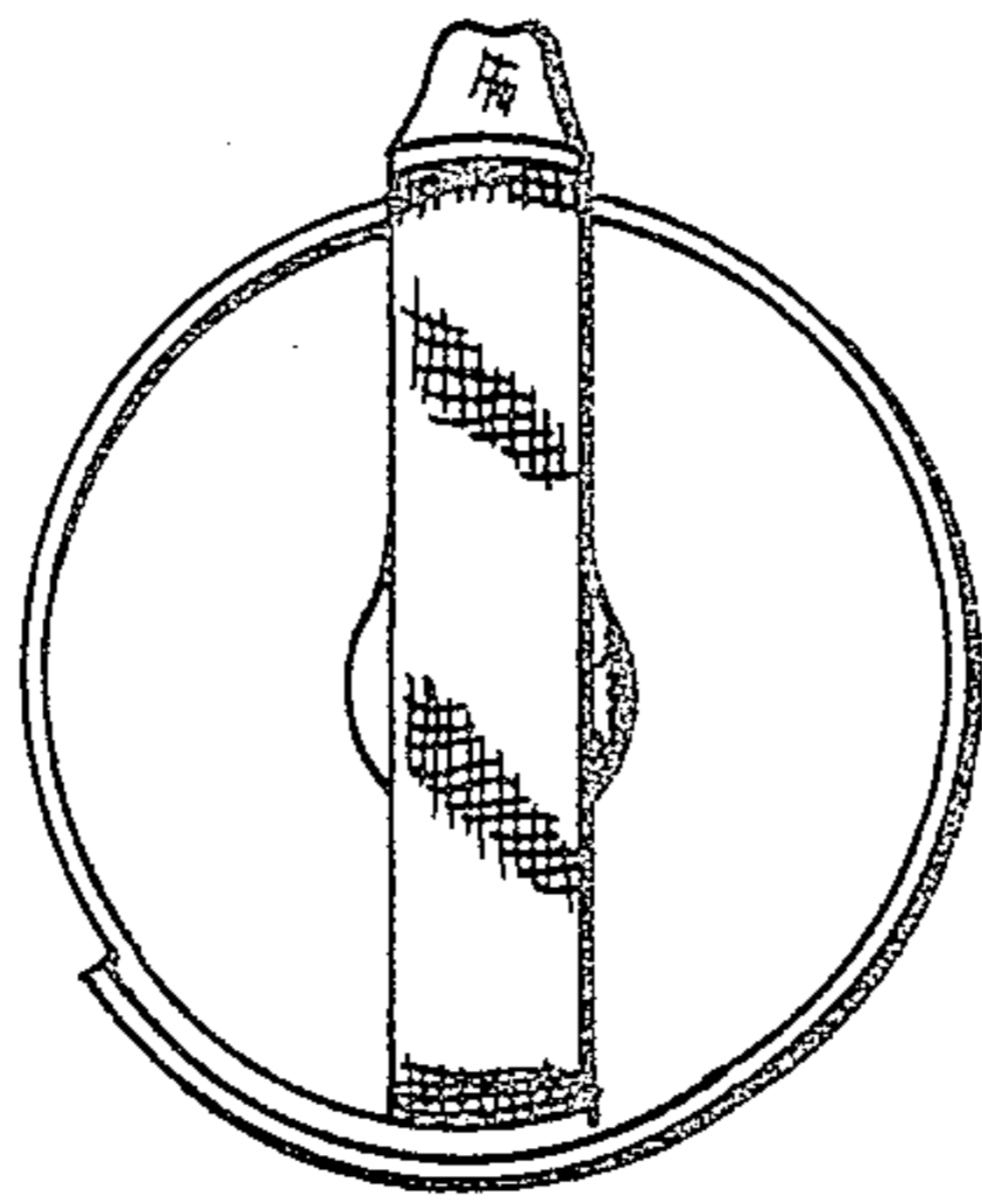


Fig. 3

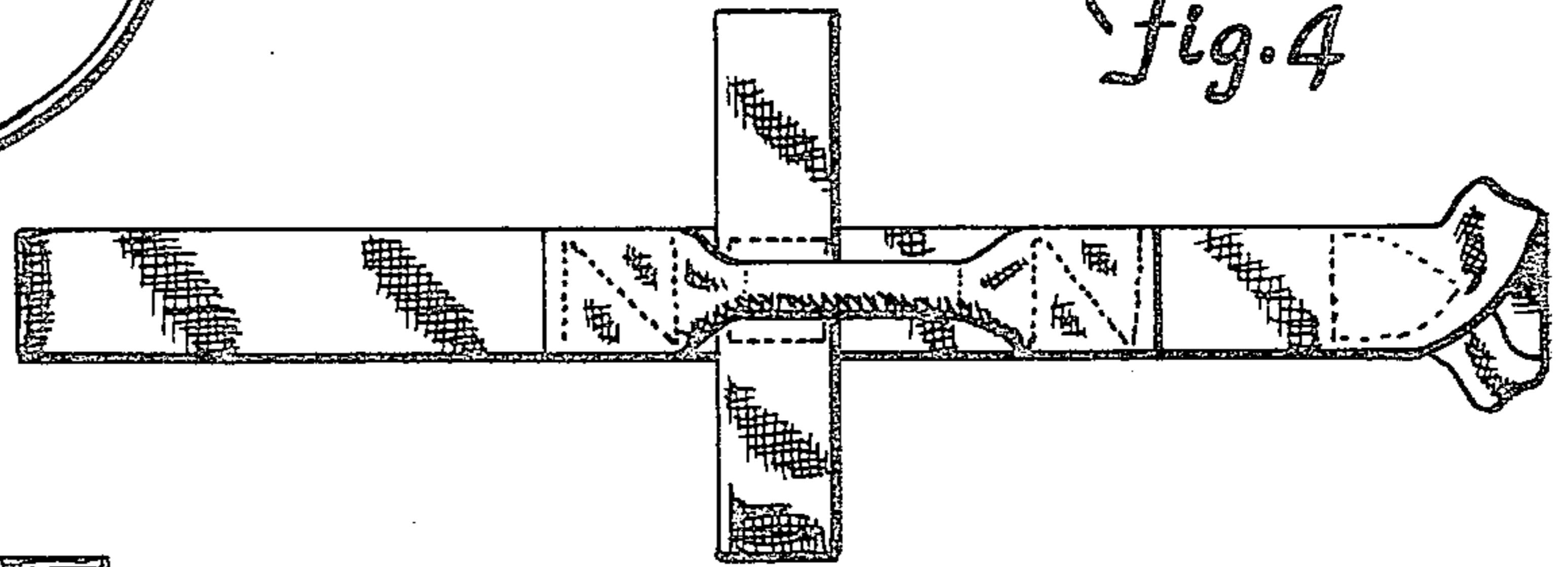


Fig. 4

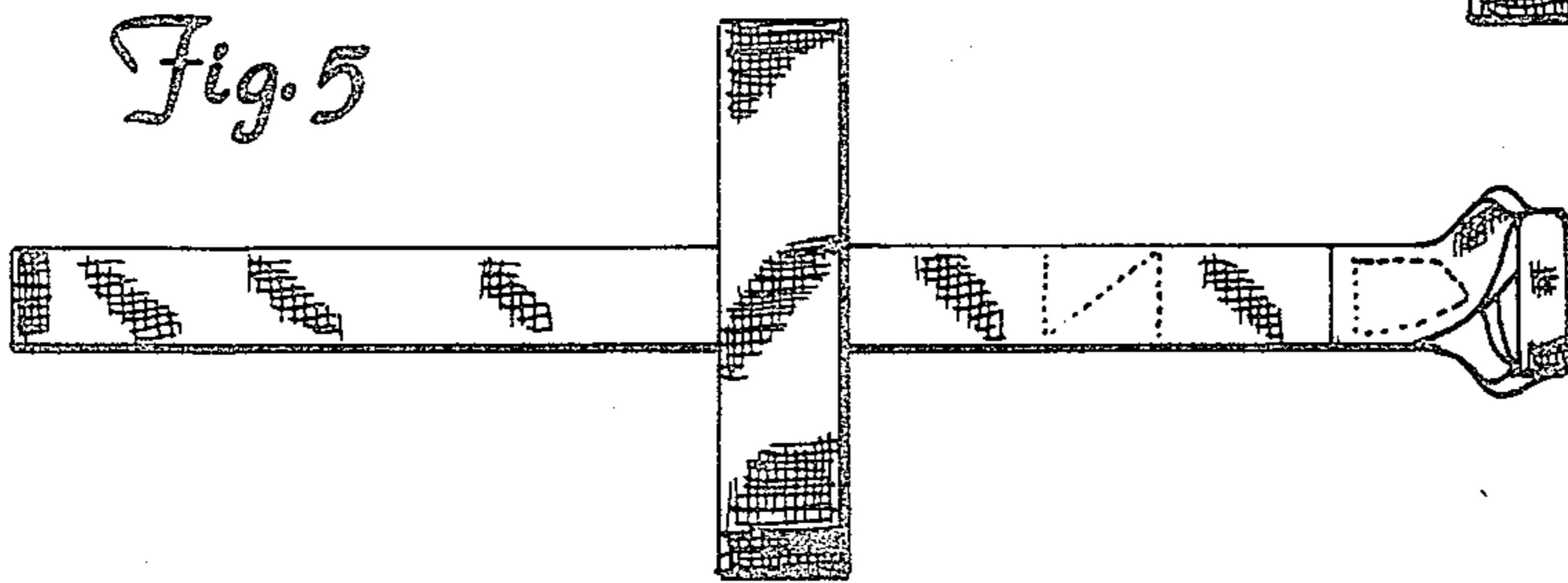


Fig. 5

Fig. 6

