

- [54] **DISKETTE STORAGE CASE**
- [75] Inventor: **Balthasar Kirchner**, Eferding,
Austria
- [73] Assignee: **Ernst Stadelmann Gesellschaft
m.b.H.**, Eferding, Austria
- [**] Term: **14 Years**
- [21] Appl. No.: **557,628**
- [22] Filed: **Dec. 2, 1983**
- [52] U.S. Cl. **D3/35; D3/78;
D9/423; D19/76**
- [58] **Field of Search** **D3/30.1, 33, 35, 74,
D3/75, 78; D9/420, 423; 206/387, 425, 444,
45.11, 45.12, 45.13, 45.18**

- [56] **References Cited**
- U.S. PATENT DOCUMENTS**
- 2,675,911 4/1954 Thurston 206/45.13
2,775,342 12/1956 Smith 206/45.13

- 3,086,645 4/1963 Young 206/45.13
4,356,918 11/1982 Kahle 206/444
4,478,335 10/1984 Long et al. 206/45.18
4,479,577 10/1984 Eichner 206/425

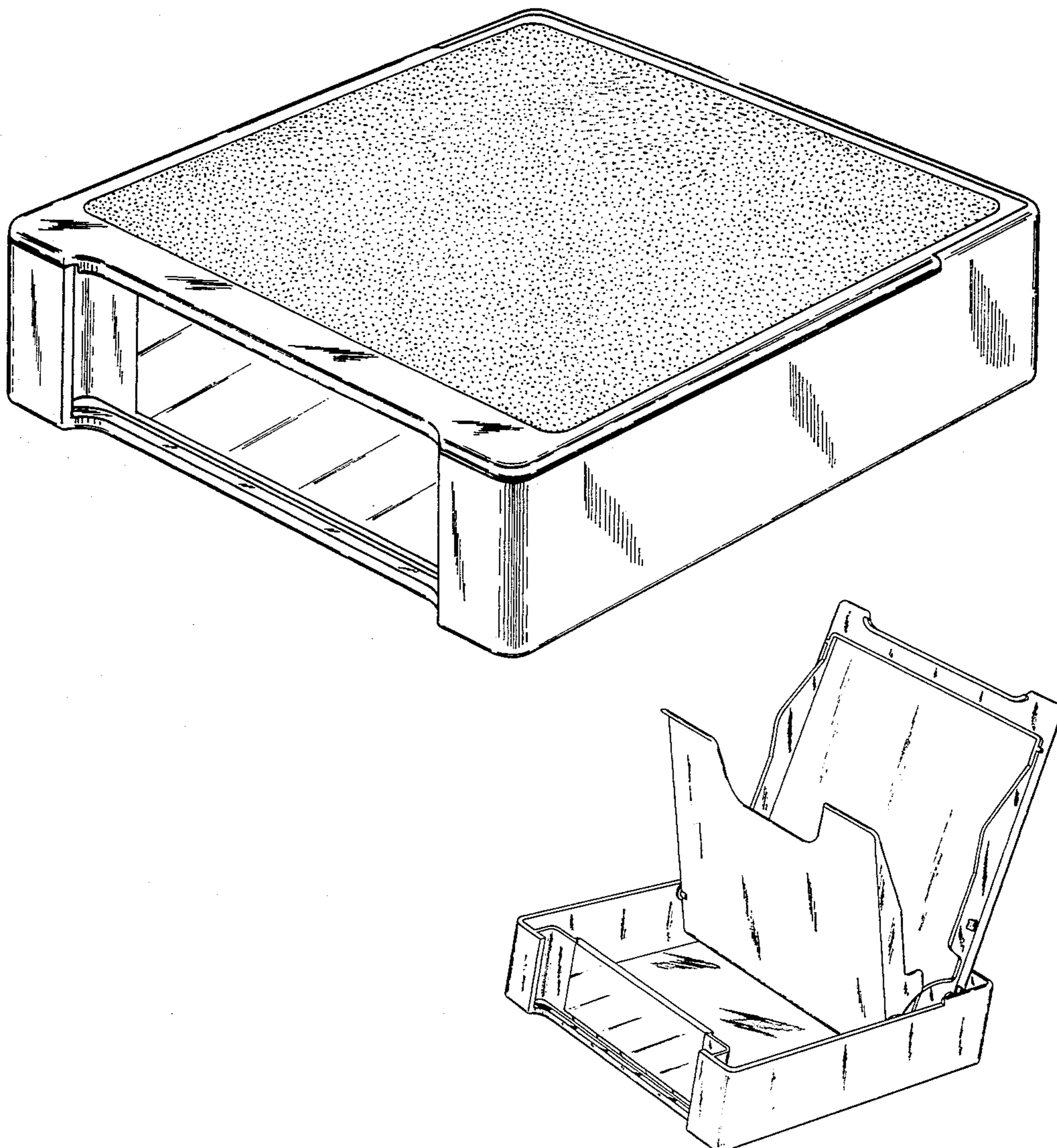
Primary Examiner—George P. Word
Attorney, Agent, or Firm—Karl F. Ross; Herbert Dubno

[57] **CLAIM**

The ornamental design for a diskette storage case, as shown and described.

DESCRIPTION

FIG. 1 is a top front perspective view of a diskette storage case showing my new design in the open position;
FIG. 2 is a top front perspective view thereof in the closed position;
FIG. 3 is a bottom rear perspective view of FIG. 3;
FIG. 4 is a top plan view of the diskette storage case in the open position thereof; and
FIG. 5 is a cross-sectional view taken along line 5—5 of FIG. 4.



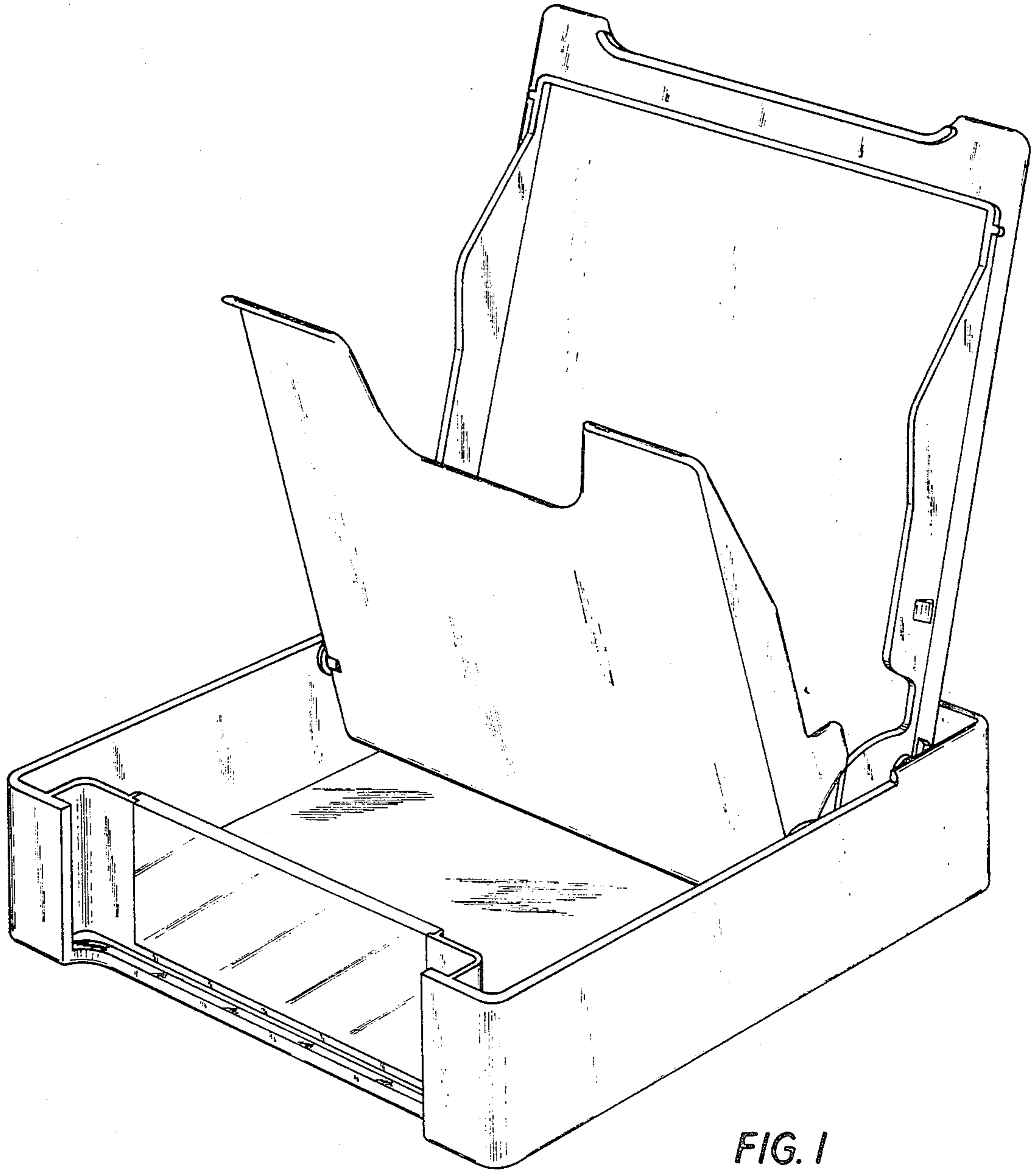


FIG. 1

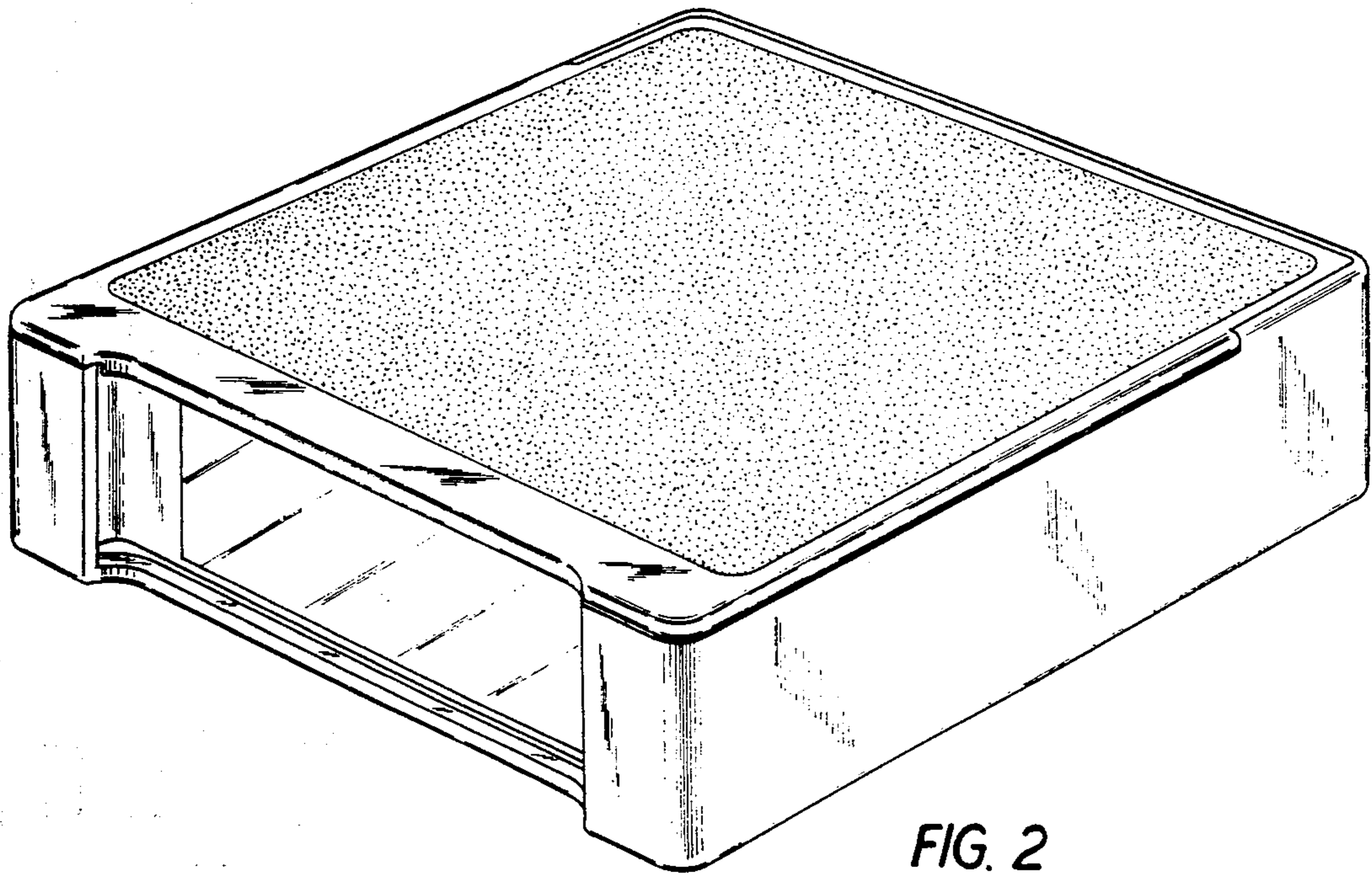


FIG. 2

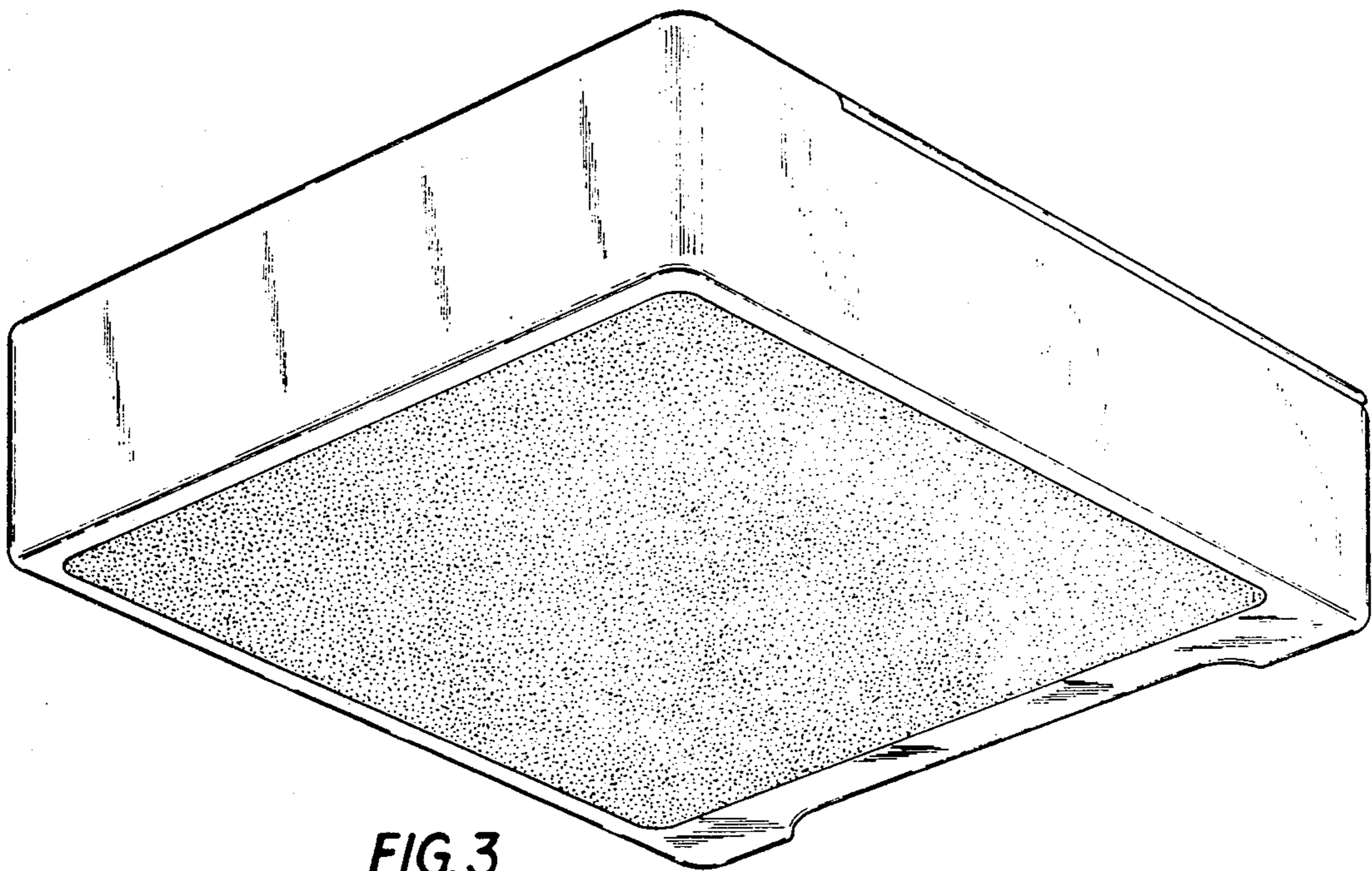


FIG. 3

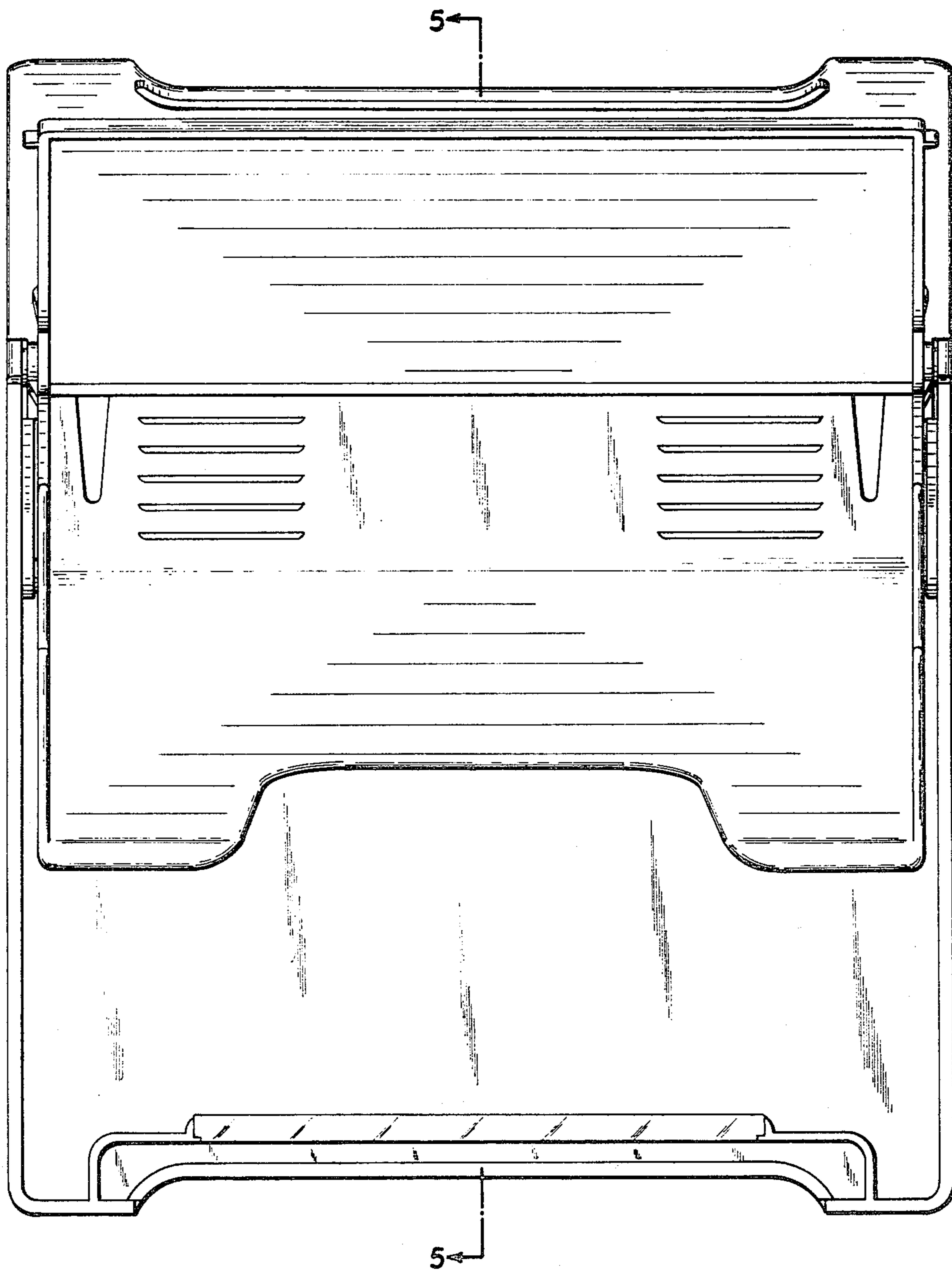


FIG. 4

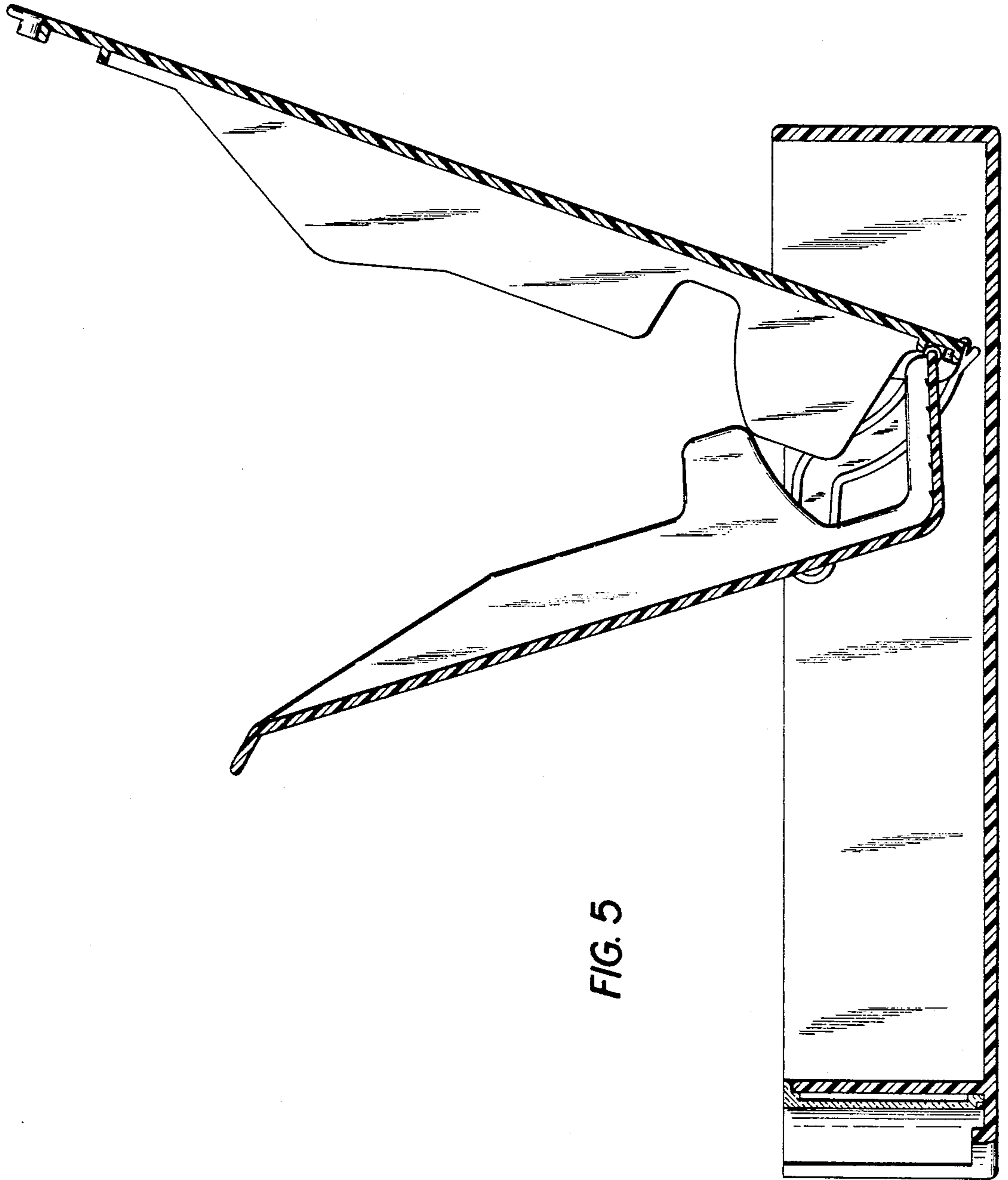


FIG. 5