

[54] **COMBINED STACKABLE TRAY AND/OR A CORNER WALL ATTACHABLE TRAY**

[75] **Inventor: Steven Herbert, Deerfield, Ill.**
 [73] **Assignee: Marley Tile, A.G., Zug, Switzerland**

[**] **Term: 14 Years**

[21] **Appl. No.: 419,981**

[22] **Filed: Sep. 20, 1982**

[52] **U.S. Cl. D34/40; D6/475; D6/476; D6/562; D6/574**

[58] **Field of Search D6/562, 574, 510, 475, D6/476; D7/38, 37, 76; D34/40, 42, 43; 206/503**

[56] **References Cited**

U.S. PATENT DOCUMENTS

D. 189,722	2/1961	Wolff	D6/562
D. 210,274	2/1968	Wilson	D34/40
D. 242,965	1/1977	Box	D6/574
D. 269,657	7/1983	Taylor	D34/40 X
1,949,421	3/1934	Juelson	220/20 X

3,236,385 2/1966 Becker D7/37 X

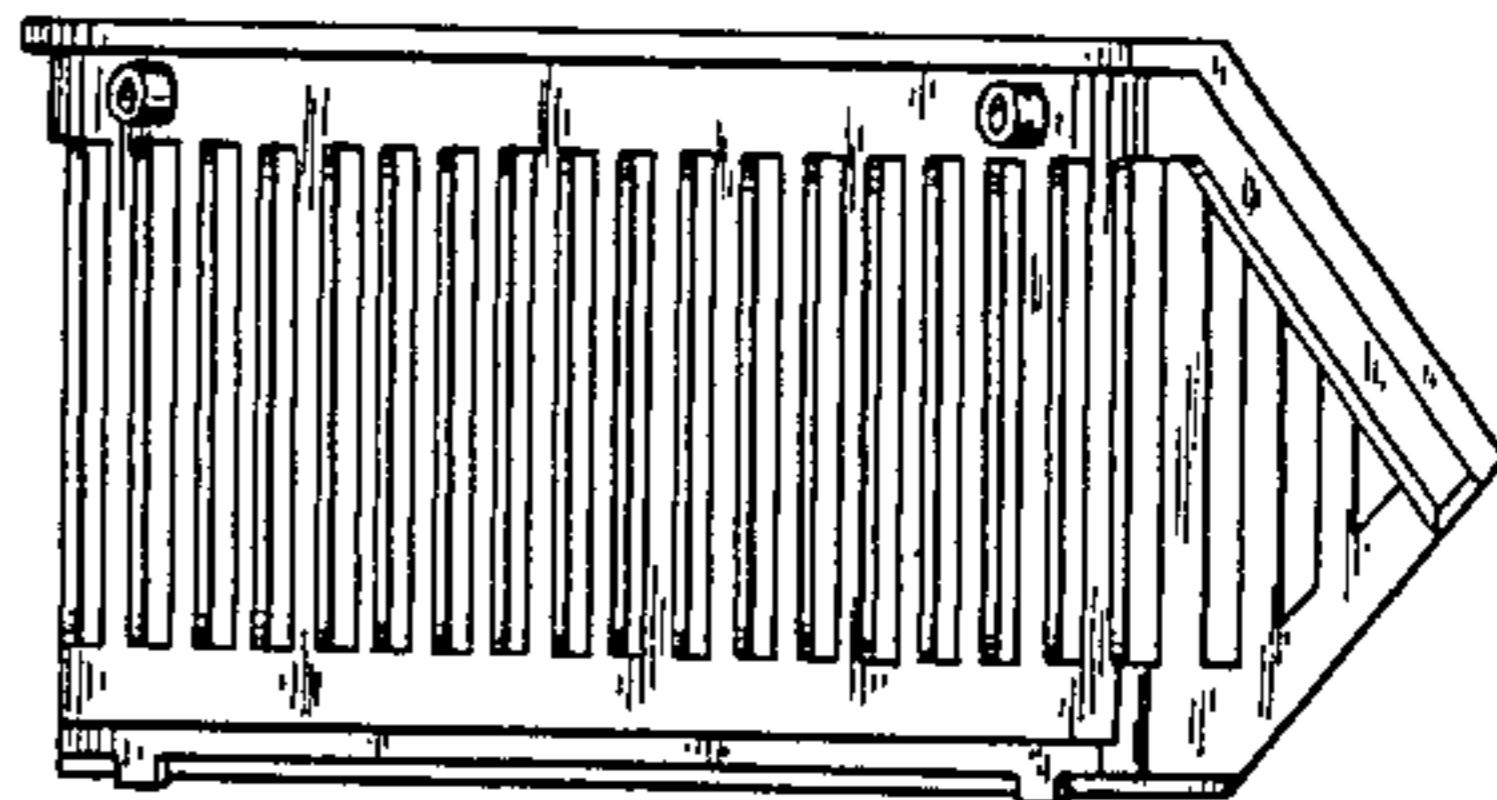
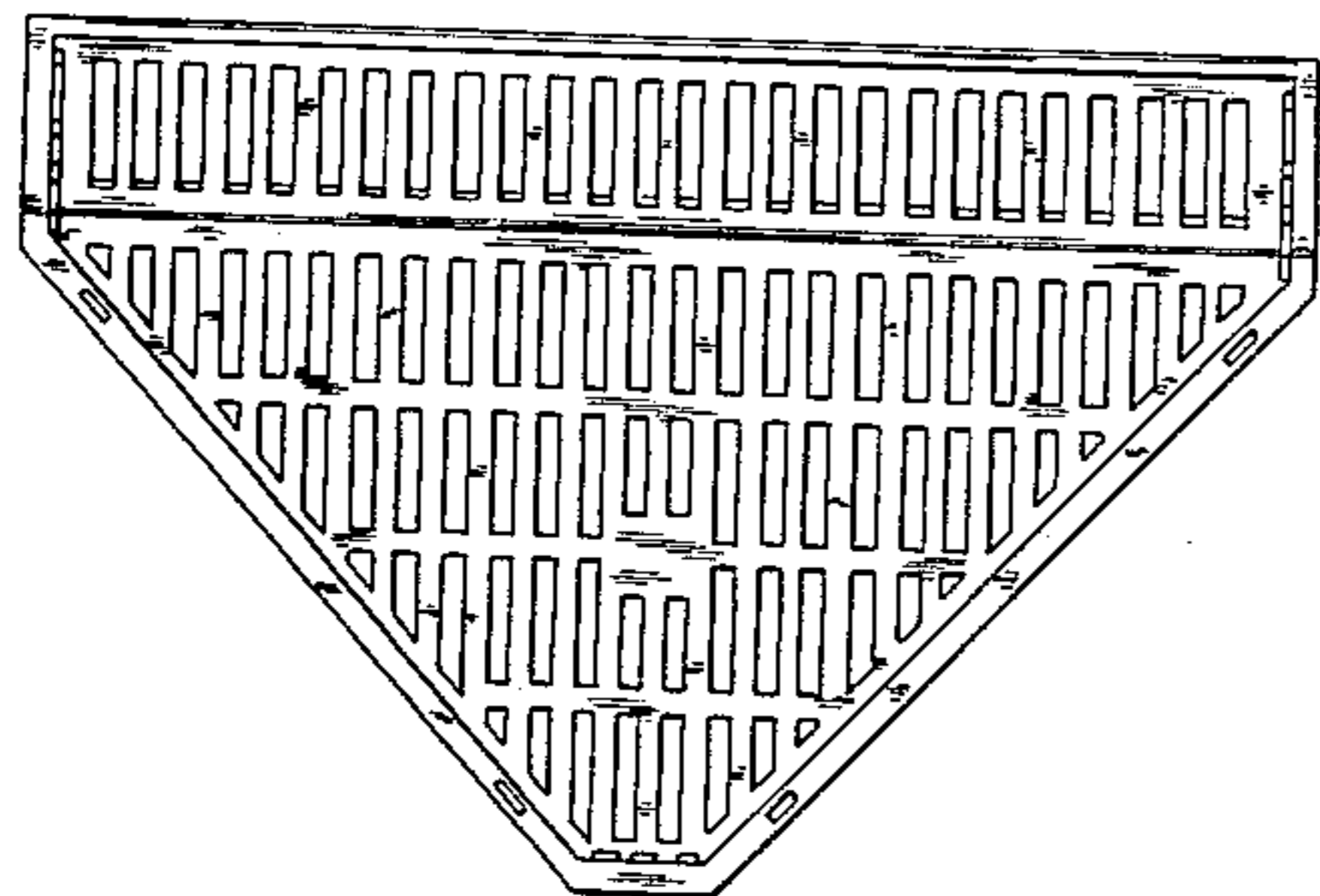
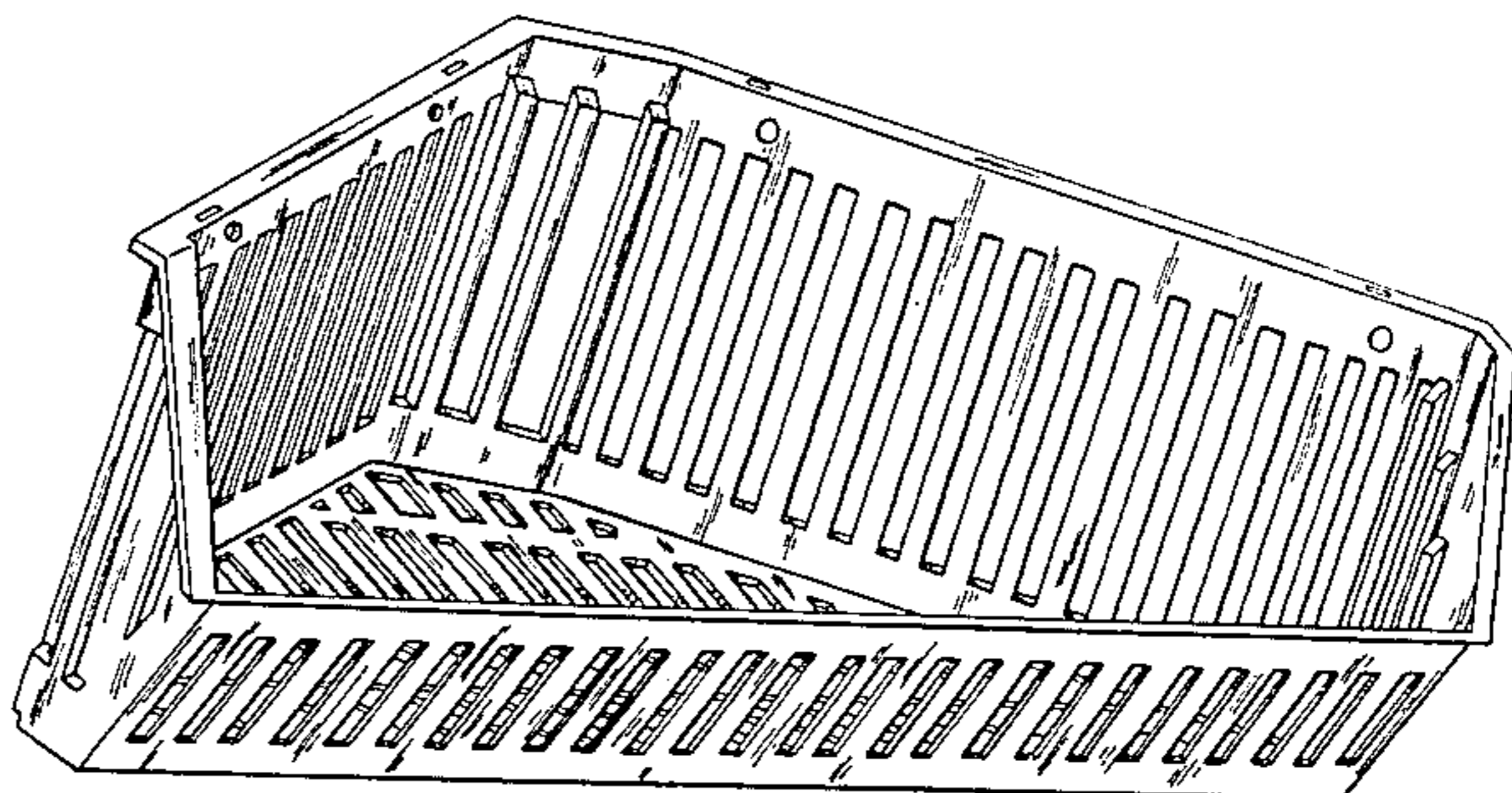
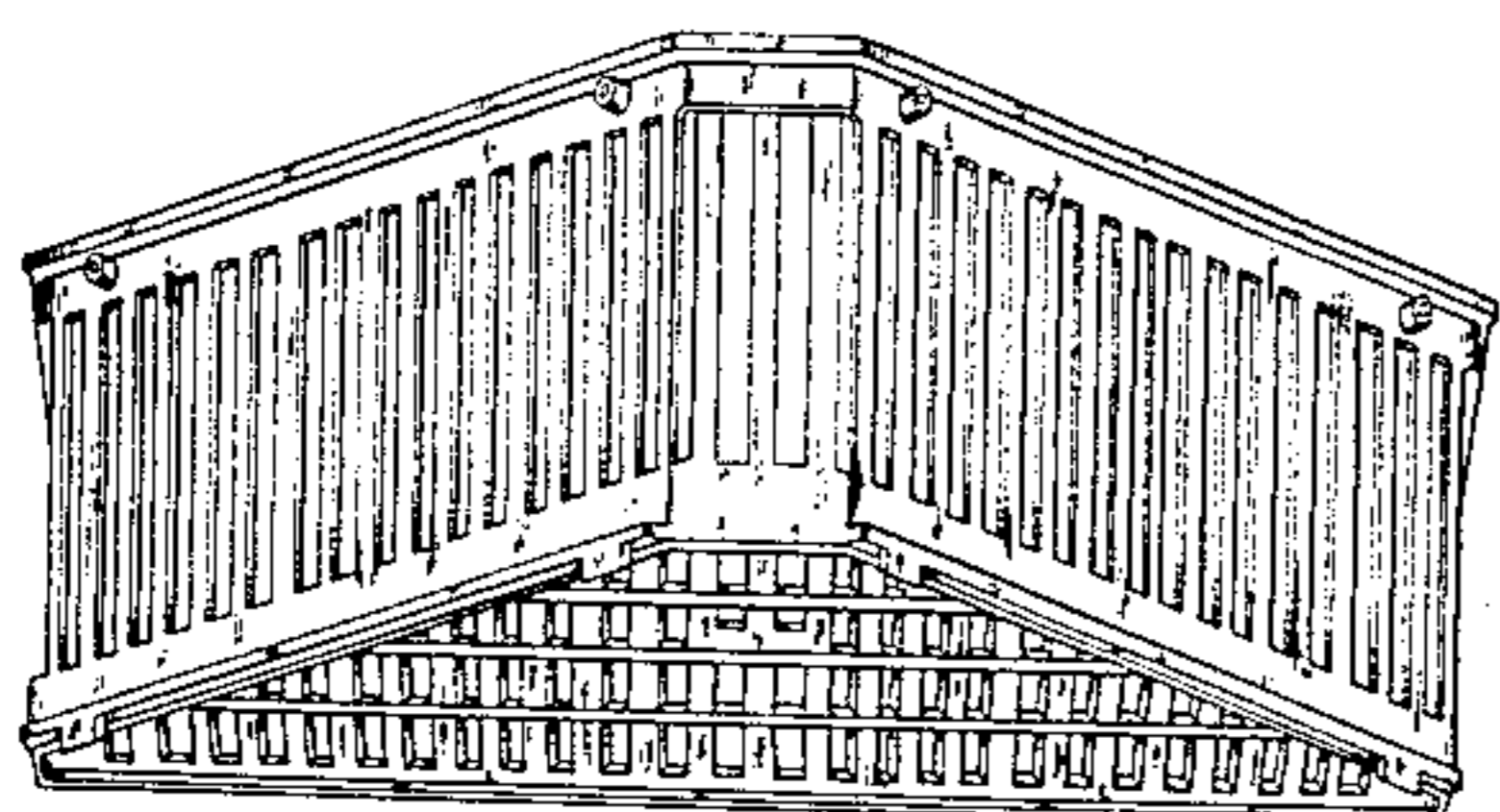
Primary Examiner—Winifred E. Herrmann
Attorney, Agent, or Firm—Ronald A. Sandler; Jerry A. Schulman

[57] **CLAIM**

The ornamental design for a combined stackable tray and/or a corner wall attachable tray, as shown and described.

DESCRIPTION

FIG. 1 is a top front perspective view of a combined stackable tray and/or a corner wall attachable tray showing my new design;
 FIG. 2 is a bottom rear perspective view thereof;
 FIG. 3 is a top, front, and left side perspective view thereof;
 FIG. 4 is a front elevation thereof;
 FIG. 5 is a top plan view thereof;
 FIG. 6 is a rear elevation thereof;
 FIG. 7 is a left side elevation thereof, the right side elevation being identical thereto; and
 FIG. 8 is a bottom plan view thereof.



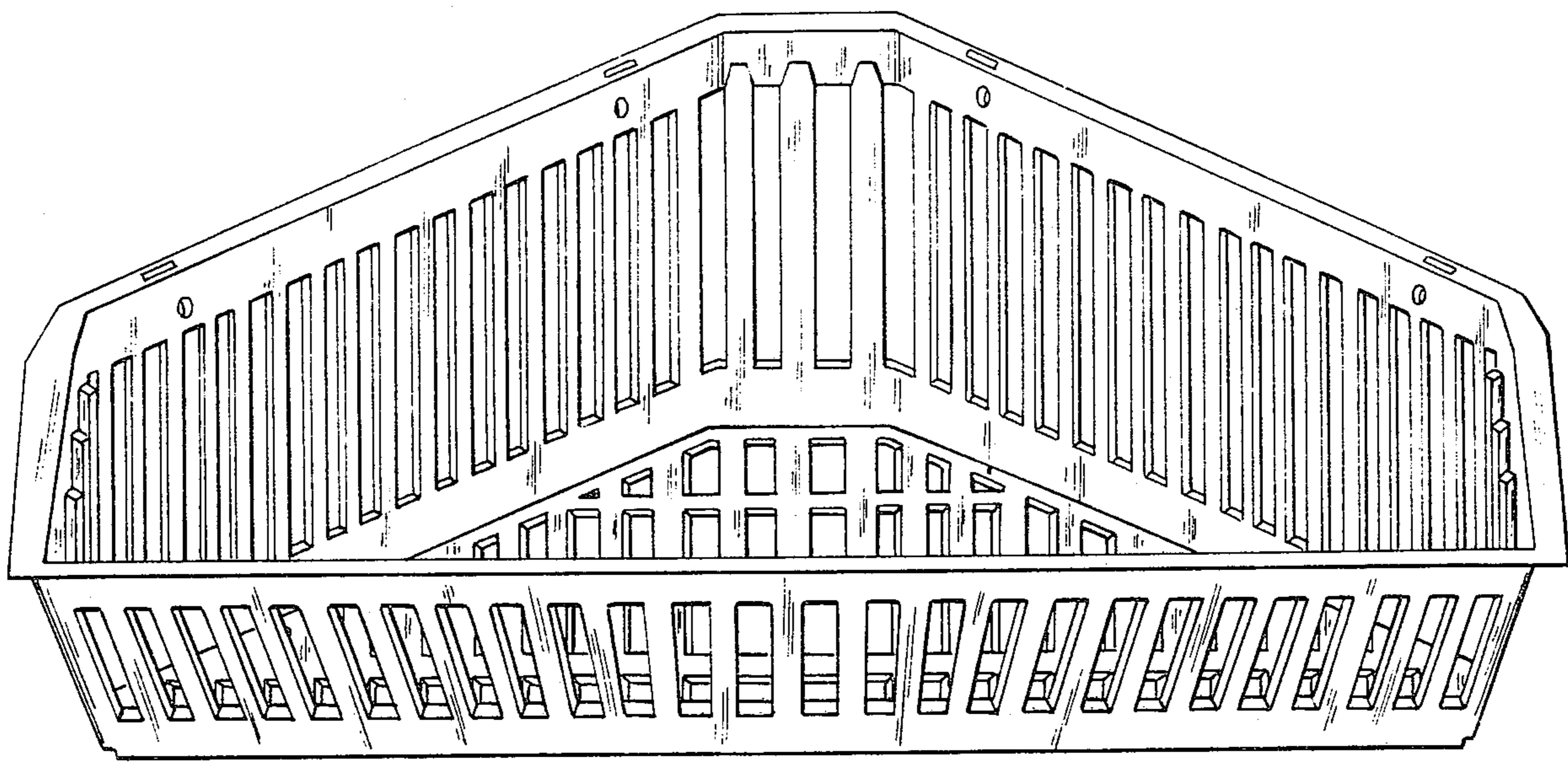


FIG. 1

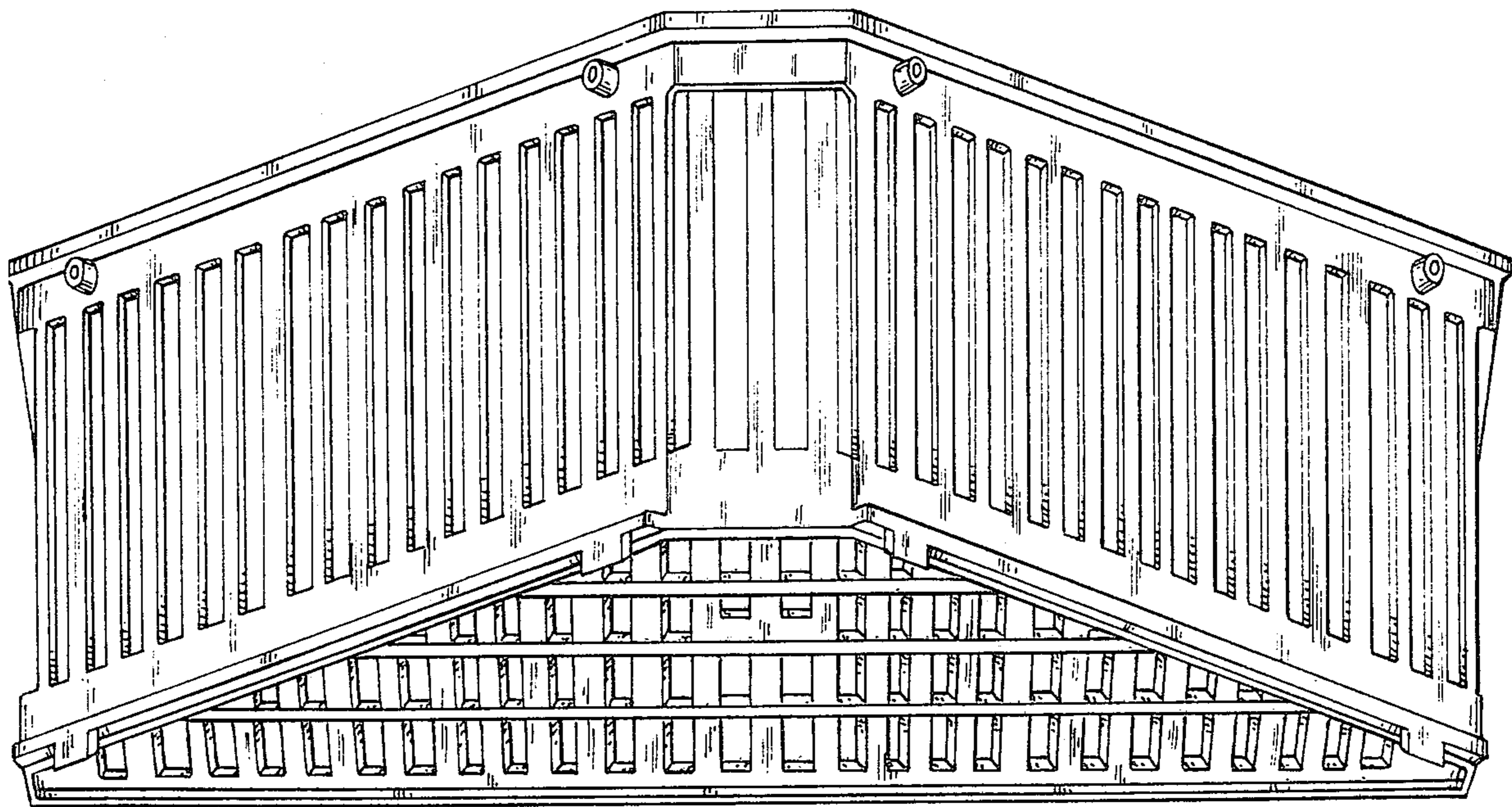


FIG. 2

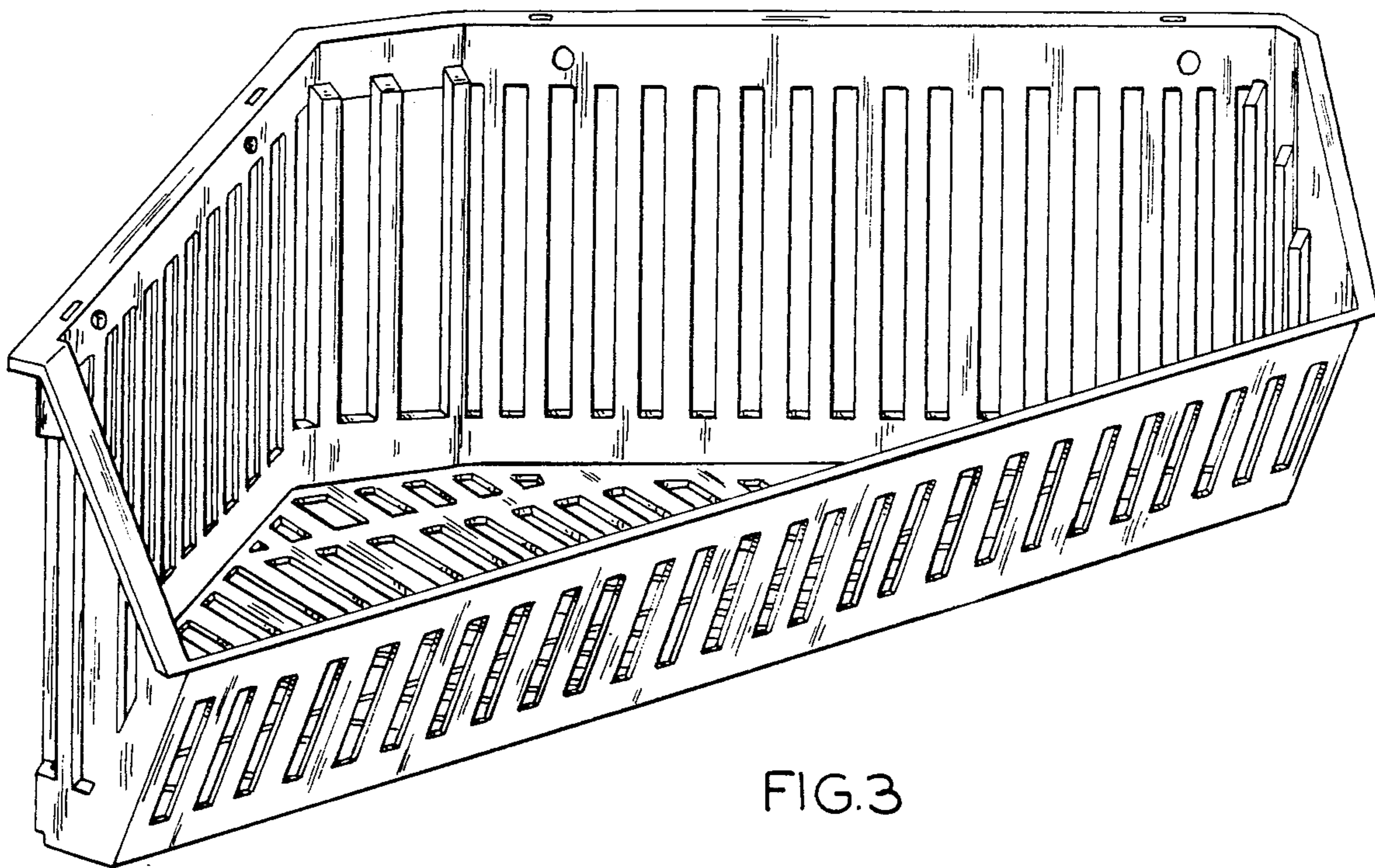


FIG. 3

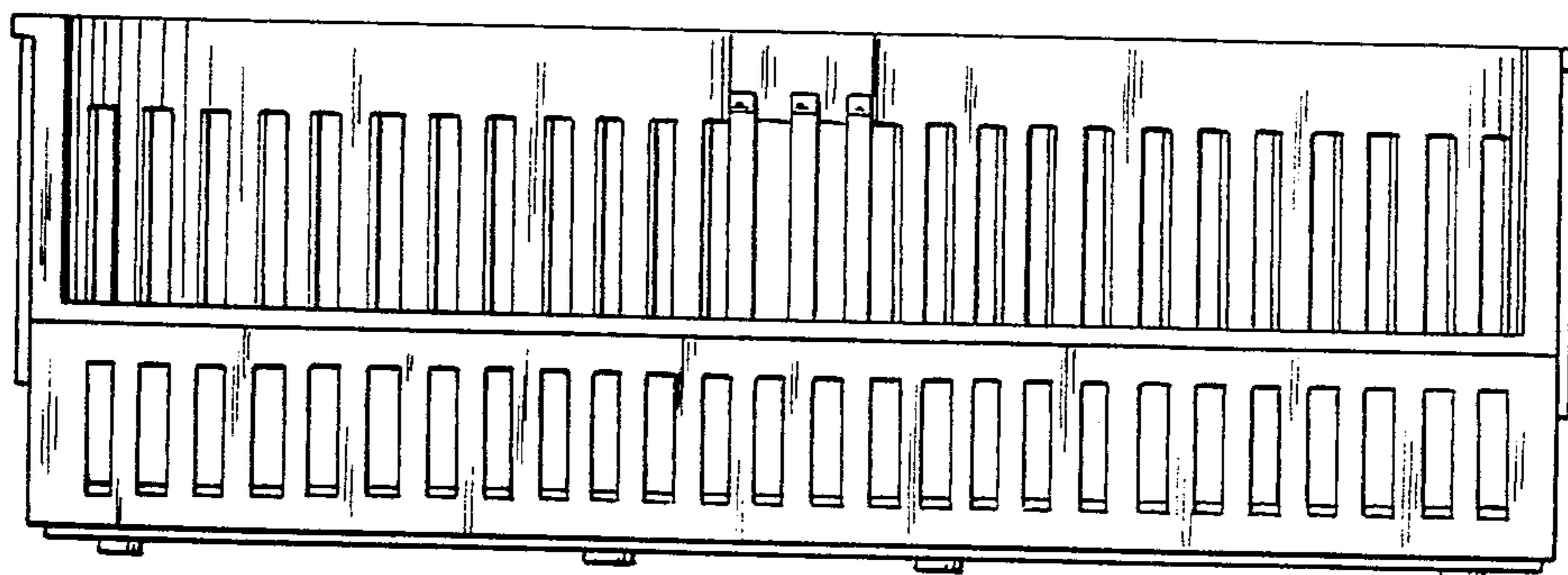


FIG. 4

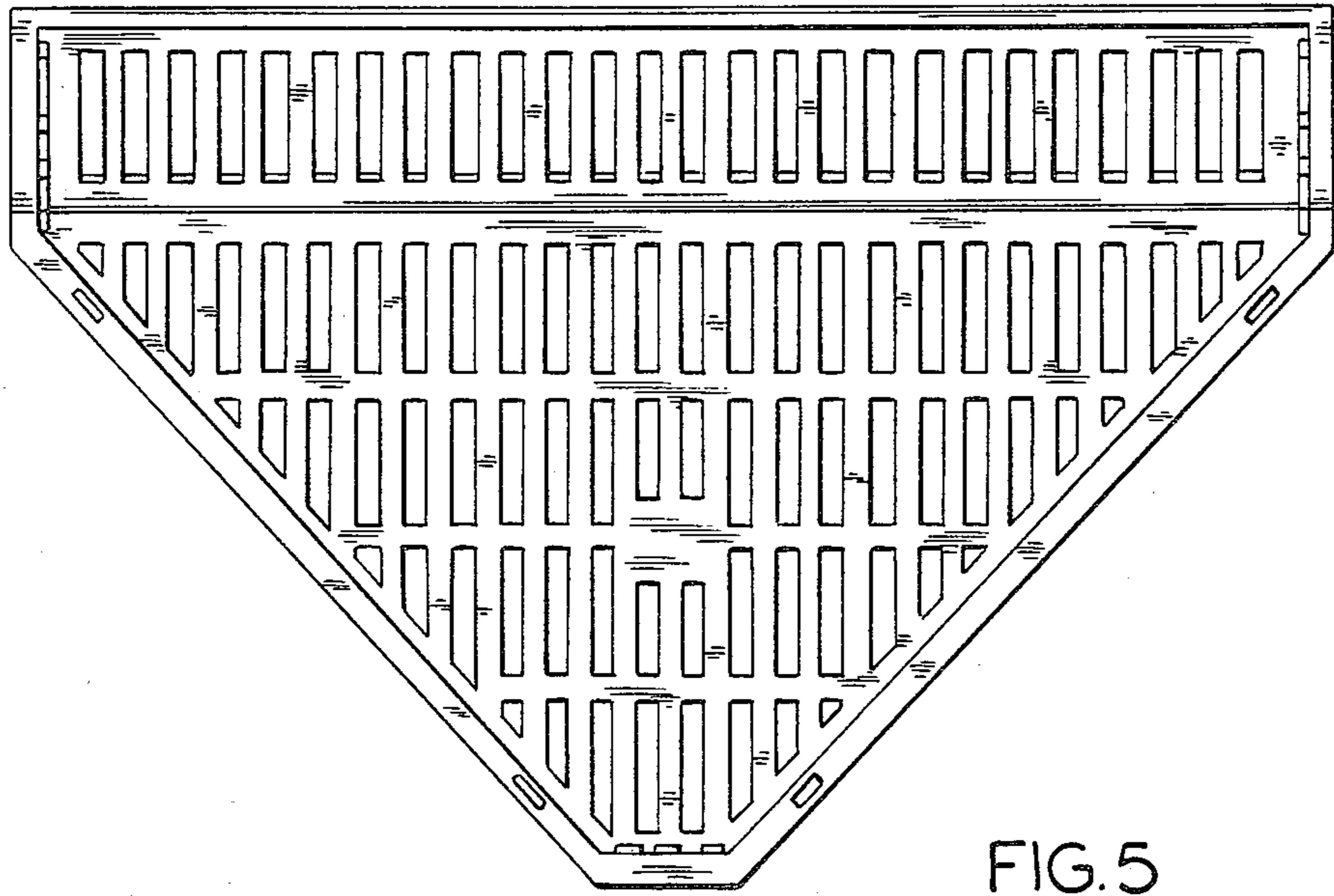


FIG. 5

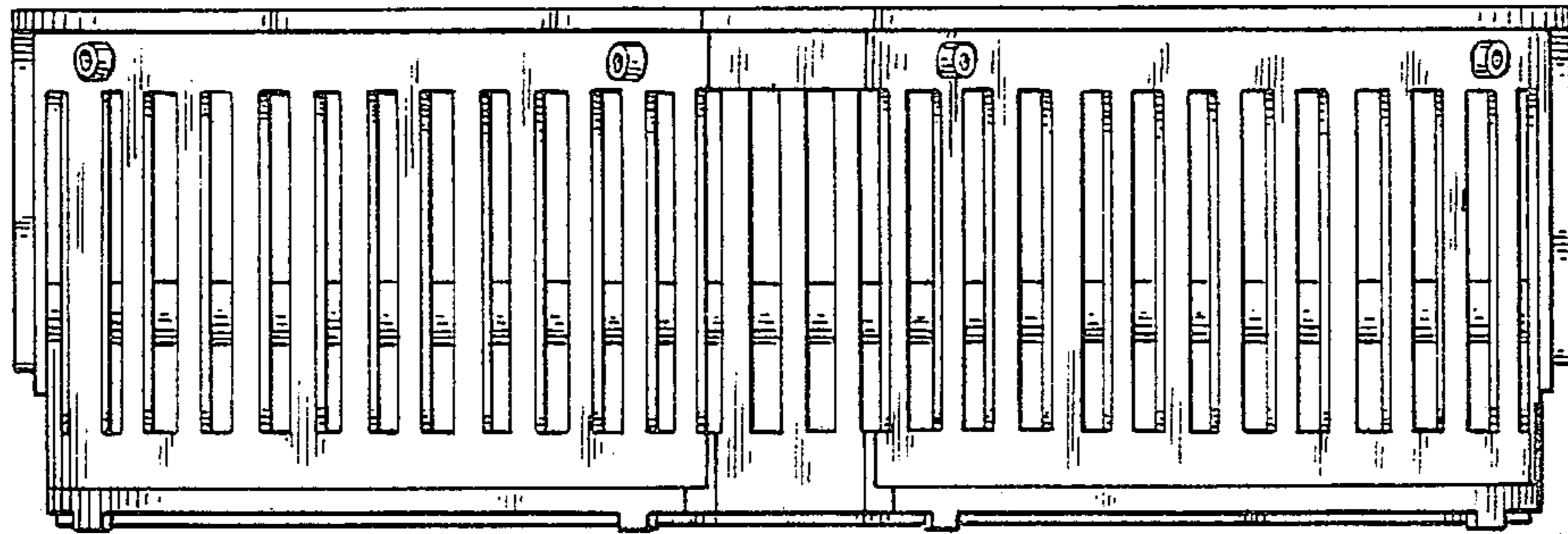


FIG. 6

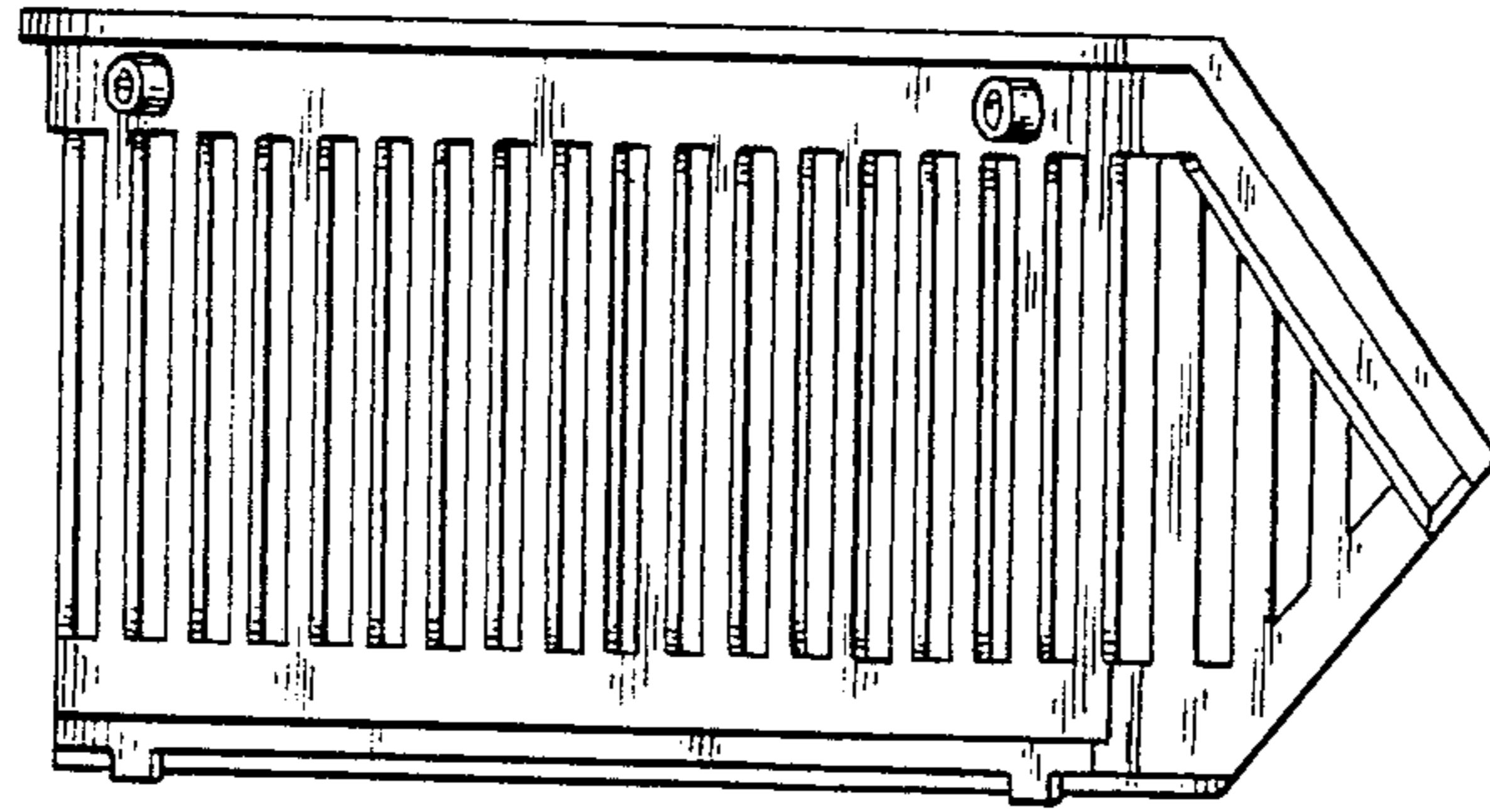


FIG. 7

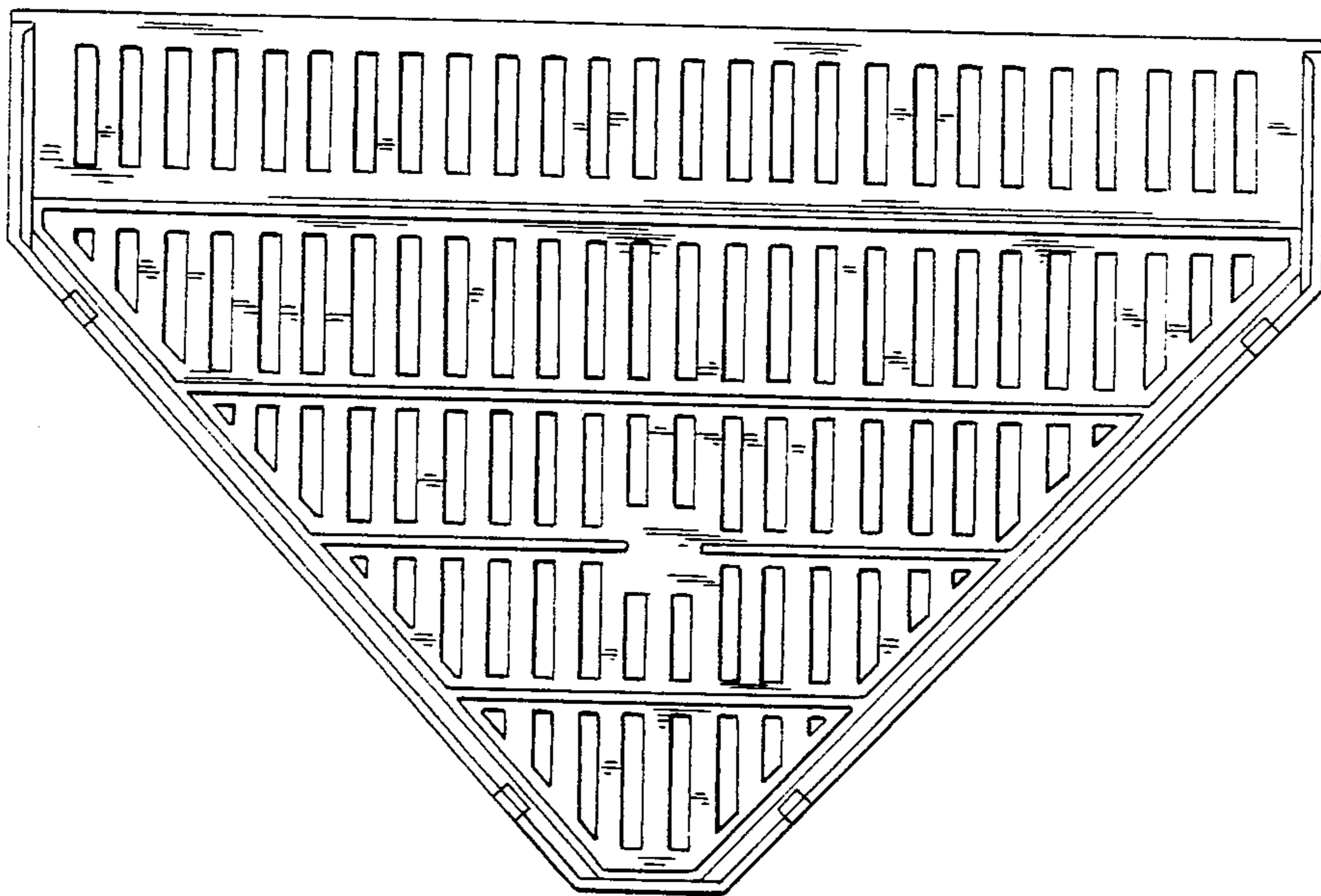


FIG. 8