

[54] **FLUORESCENT REFLECTOR FIXTURE**

[76] **Inventor: Denys L. Alcorn, 10071 Phelan Dr.,
Villa Park, Calif. 92667**

[**] **Term: 14 Years**

[21] **Appl. No.: 543,845**

[22] **Filed: Oct. 20, 1983**

[52] **U.S. Cl. D26/26**

[58] **Field of Search D26/1, 2, 3, 26, 24;
362/326-341, 346-349, 216, 217, 226, 297, 307,
309, 310, 311; 313/315, 318, 493, 113, 110, 114,
116; 315/53, 56, 57, 58, 62, 63**

[56] **References Cited**

U.S. PATENT DOCUMENTS

2,293,540 8/1942 Haeussler 362/328 X
2,436,259 2/1948 Keiffer D26/26 X

FOREIGN PATENT DOCUMENTS

135278 11/1919 United Kingdom 362/311

Primary Examiner—Susan J. Lucas

Attorney, Agent, or Firm—Francis X. LoJacono

[57] **CLAIM**

The ornamental design for a fluorescent reflector fixture, as shown and described.

DESCRIPTION

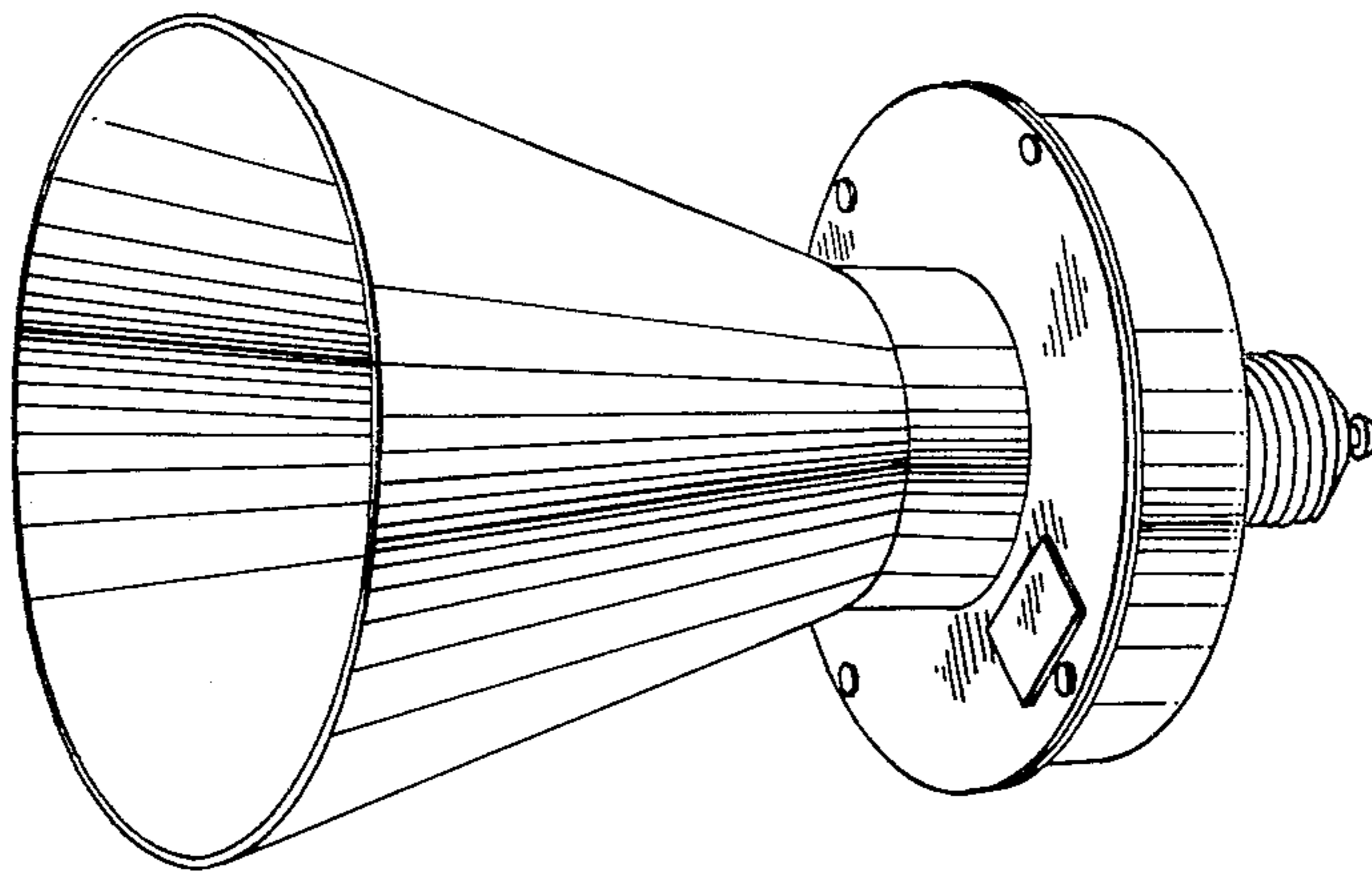
FIG. 1 is a perspective view of a fluorescent reflector fixture, showing my new design;

FIG. 2 is a side-elevational view of the side not seen in FIG. 1;

FIG. 3 is a front-elevational view thereof;

FIG. 4 is a rear-elevational view thereof; and

FIG. 5 is a side elevational view of a second embodiment of my new design.



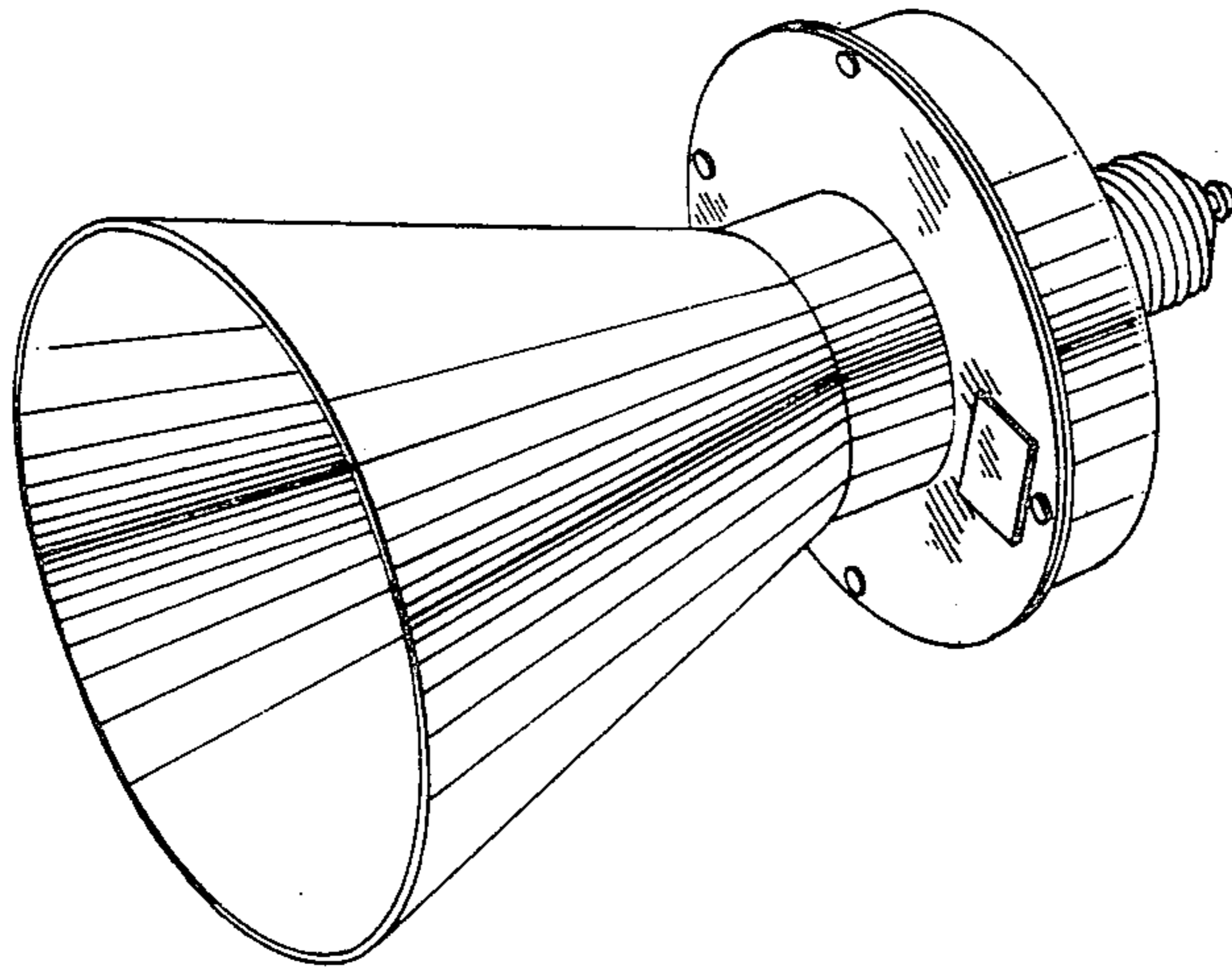


FIG. 1

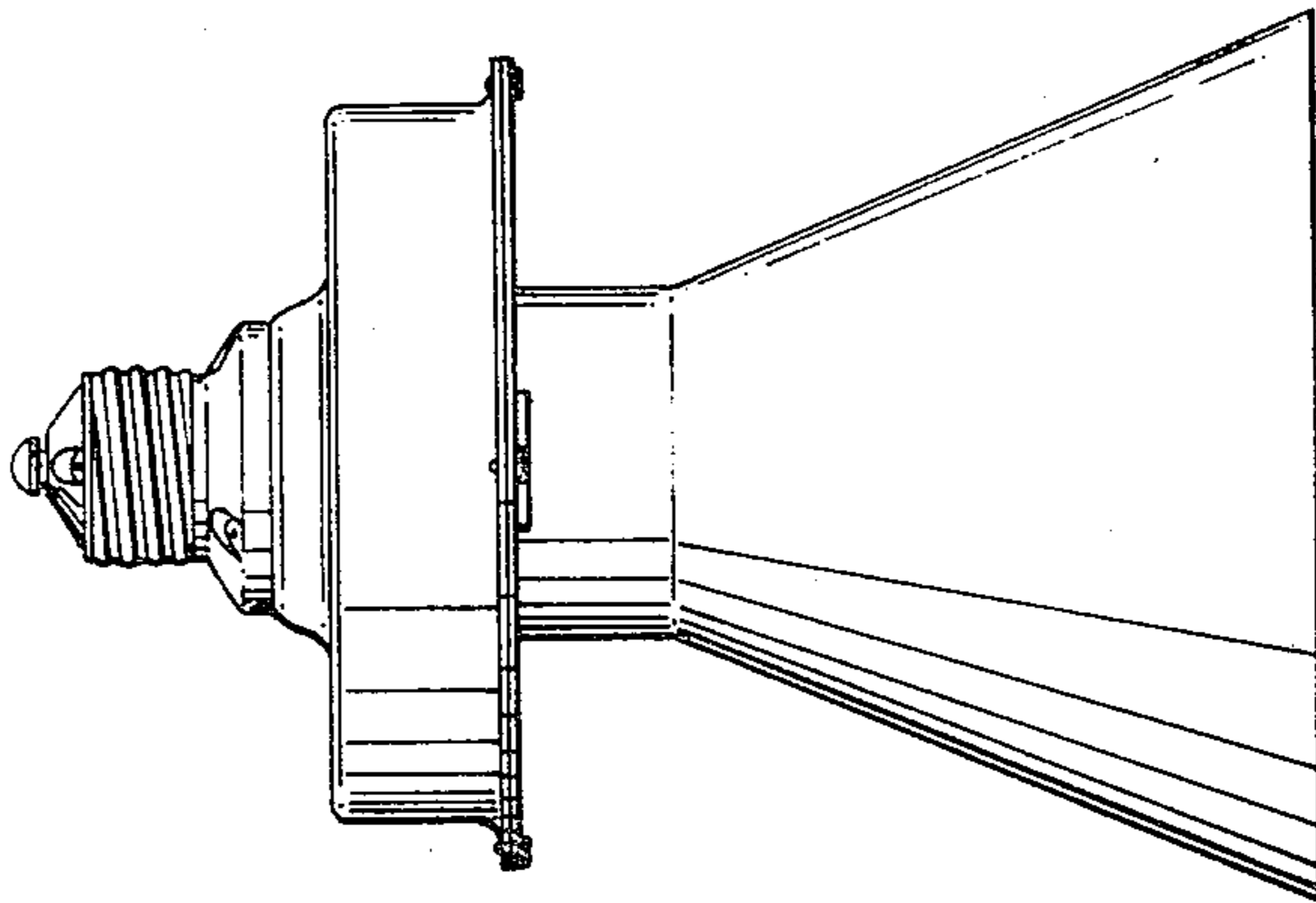


FIG. 2

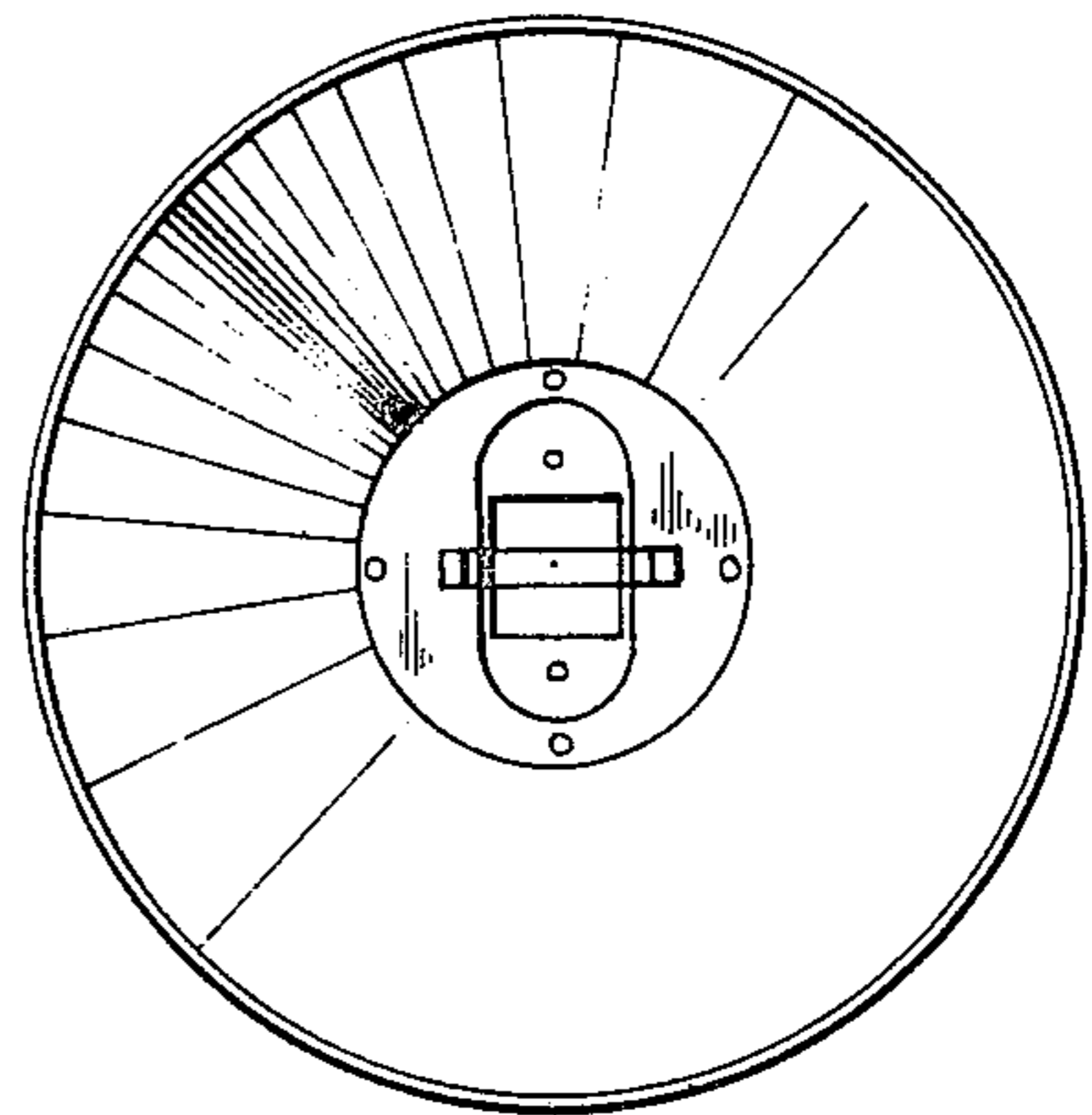


FIG. 3

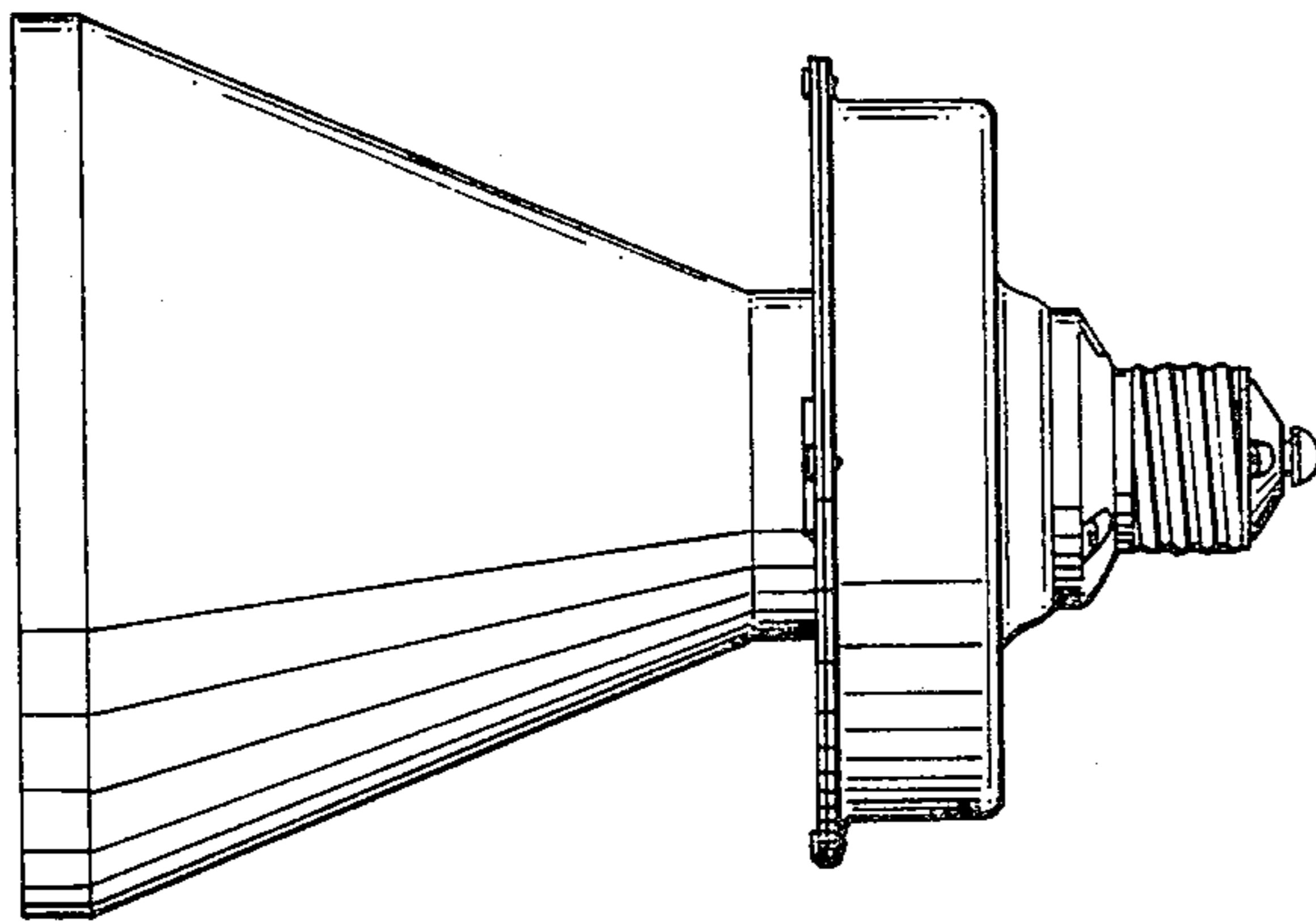


FIG. 5

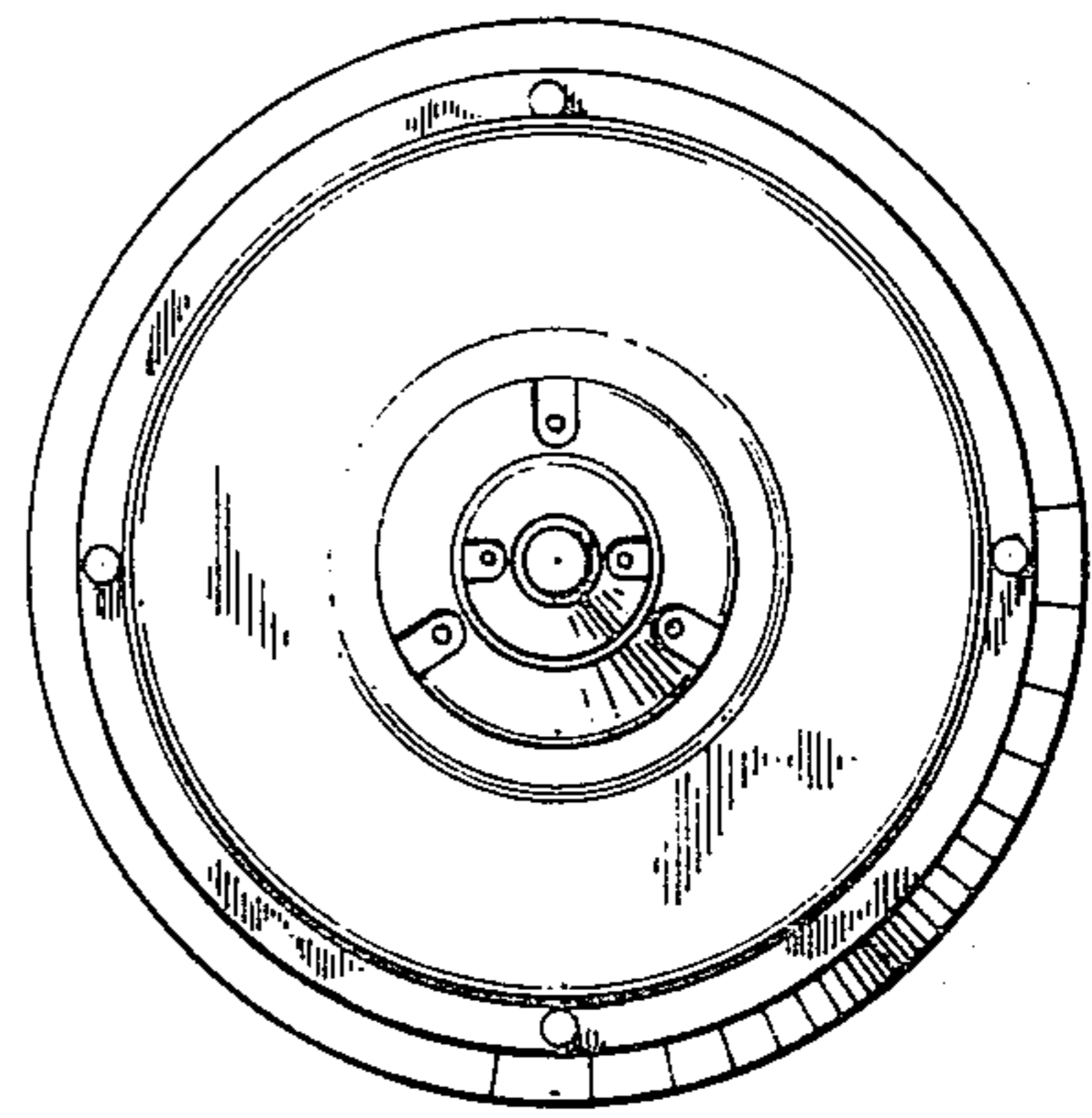


FIG. 4