

**United States Patent** [19]  
**McLaughlin**

[11] **Patent Number: Des. 280,933**

[45] **Date of Patent: \*\* Oct. 8, 1985**

[54] **TRAY FOR MEDICINE DISPENSER**

[76] **Inventor: John T. McLaughlin**, 1839 Risa Pl.,  
Glendale, Calif. 91208

[\*\*] **Term: 14 Years**

[21] **Appl. No.: 446,342**

[22] **Filed: Dec. 2, 1982**

[52] **U.S. Cl. .... D24/31**

[58] **Field of Search .... D24/31; D9/341, 347,  
D9/348; D7/38; 206/427, 459, 537, 562, 563,  
564; 229/29 M; 220/23.8**

[56] **References Cited**

**U.S. PATENT DOCUMENTS**

D. 159,399 7/1950 Williams ..... D9/348  
D. 264,245 5/1982 Olsen ..... D24/31  
3,502,241 3/1970 Smith ..... 220/23.8 X

3,657,776 4/1972 Herbold ..... 220/23.8  
3,915,371 10/1975 Crabtree ..... 206/564 X

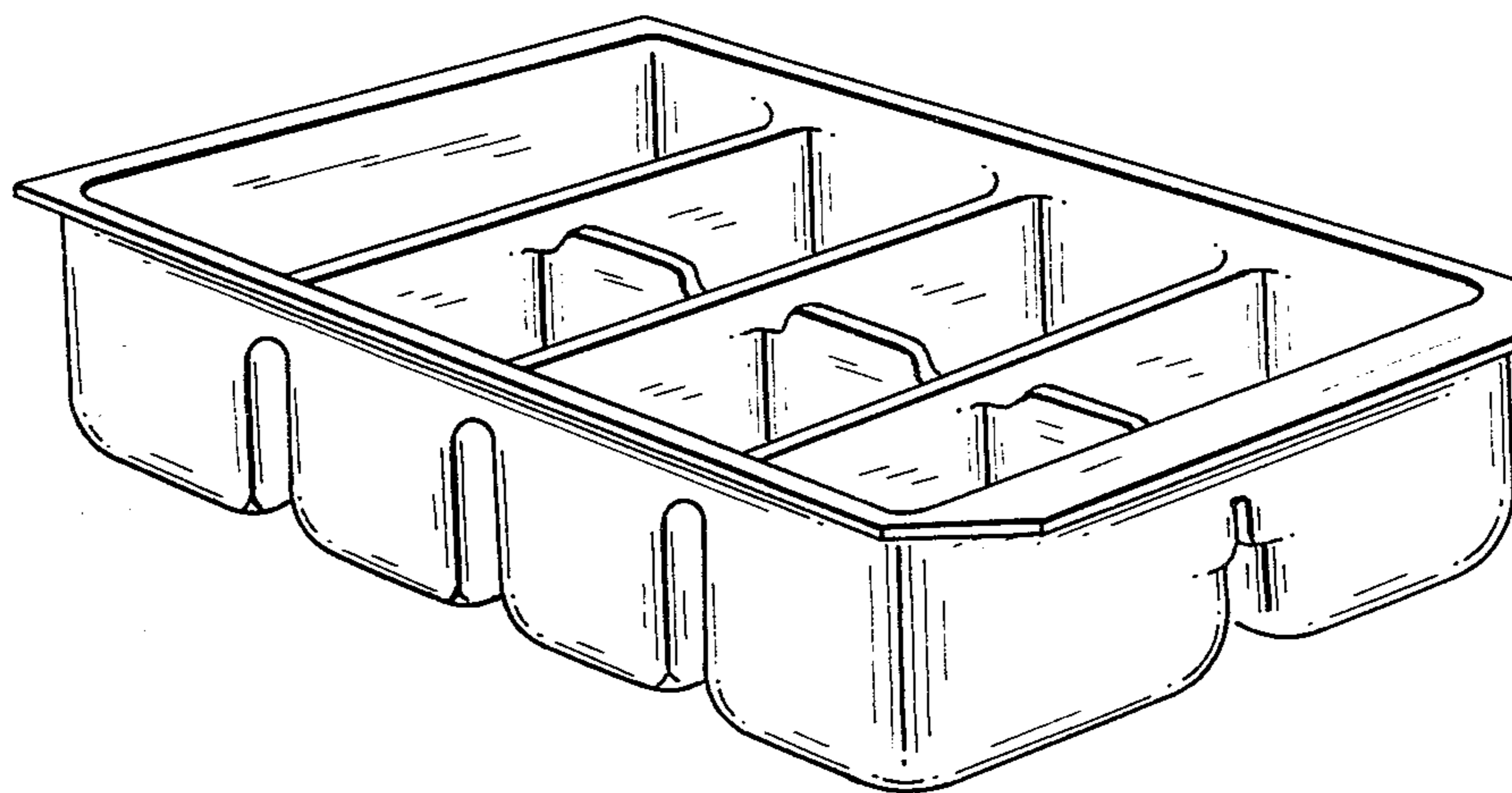
*Primary Examiner*—A. Hugo Word  
*Assistant Examiner*—Stella Reid  
*Attorney, Agent, or Firm*—John E. Kelly

[57] **CLAIM**

The ornamental design for a tray for medicine dispenser, substantially as shown.

**DESCRIPTION**

FIG. 1 is a perspective view of a tray for medicine dispenser showing my new design;  
FIG. 2 is a side elevational view thereof showing the side not visible in FIG. 1;  
FIG. 3 is a front elevational view thereof;  
FIG. 4 is a bottom plan view thereof;  
FIG. 5 is a top plan view thereof; and  
FIG. 6 is a rear elevational view thereof.



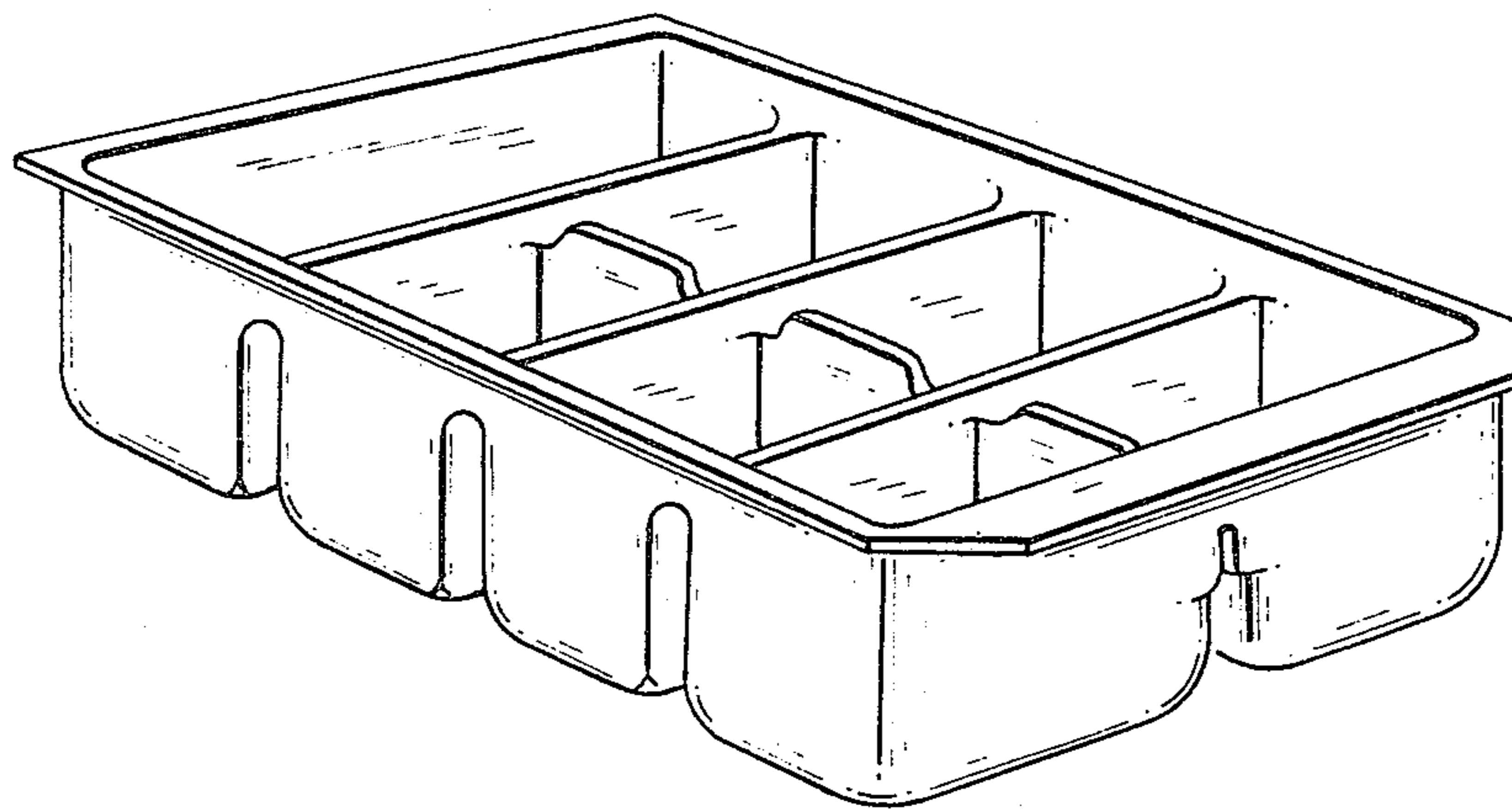


FIG. 1

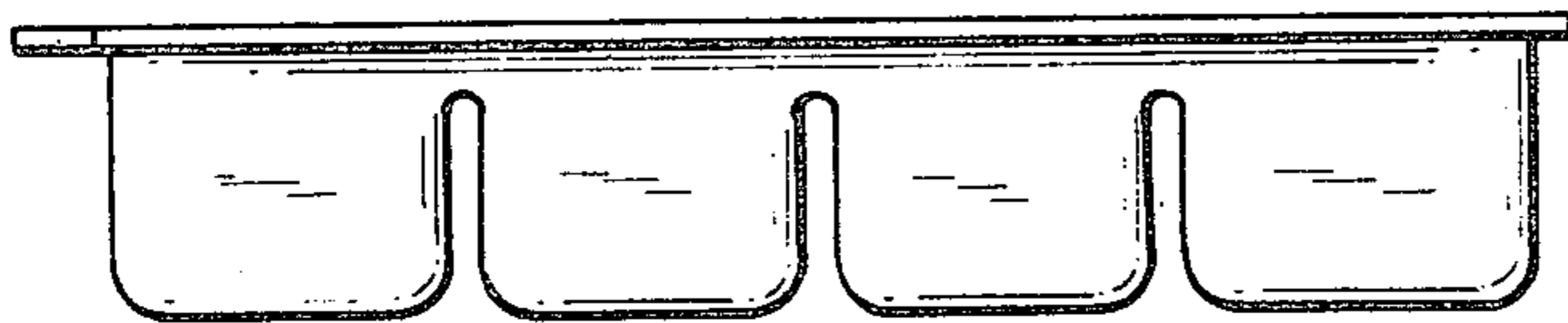


FIG. 2

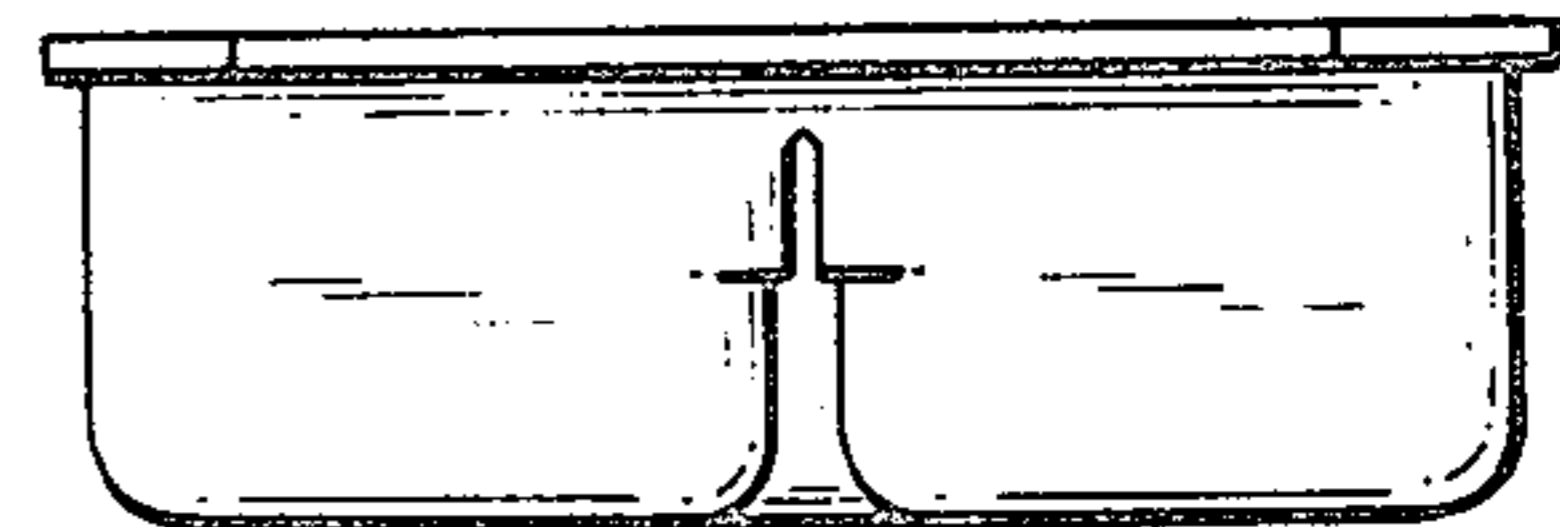


FIG. 3

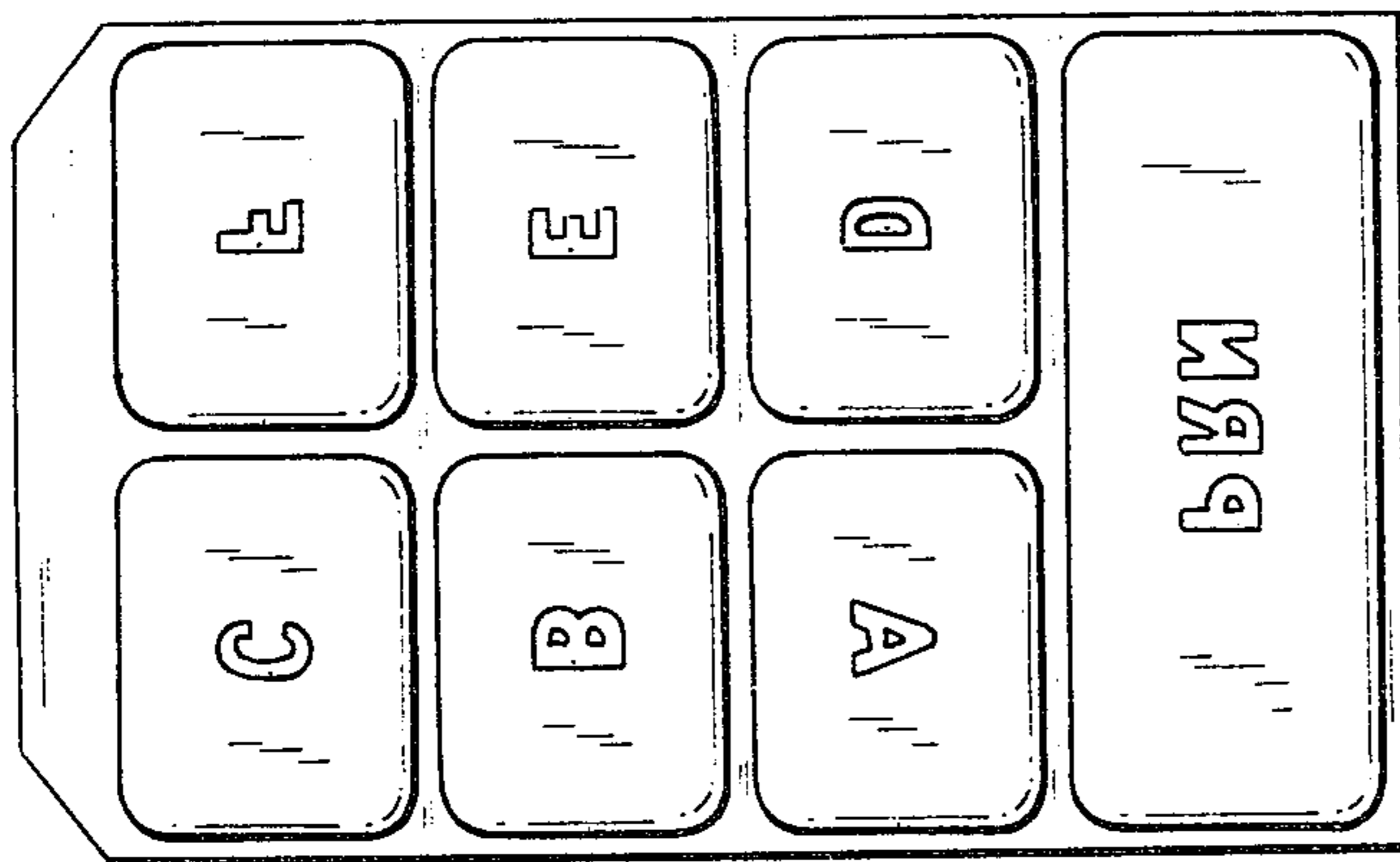


FIG. 4

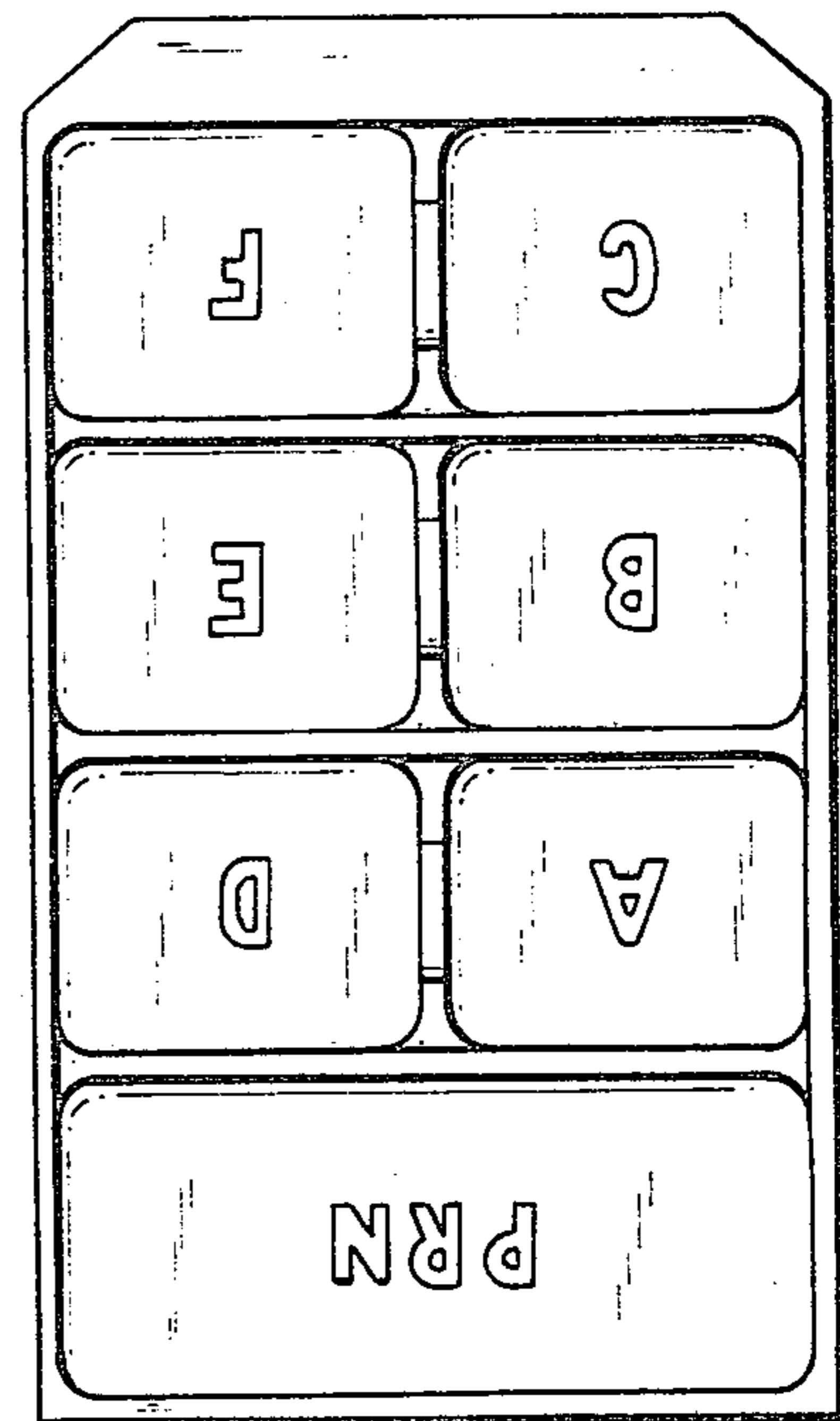


FIG. 5

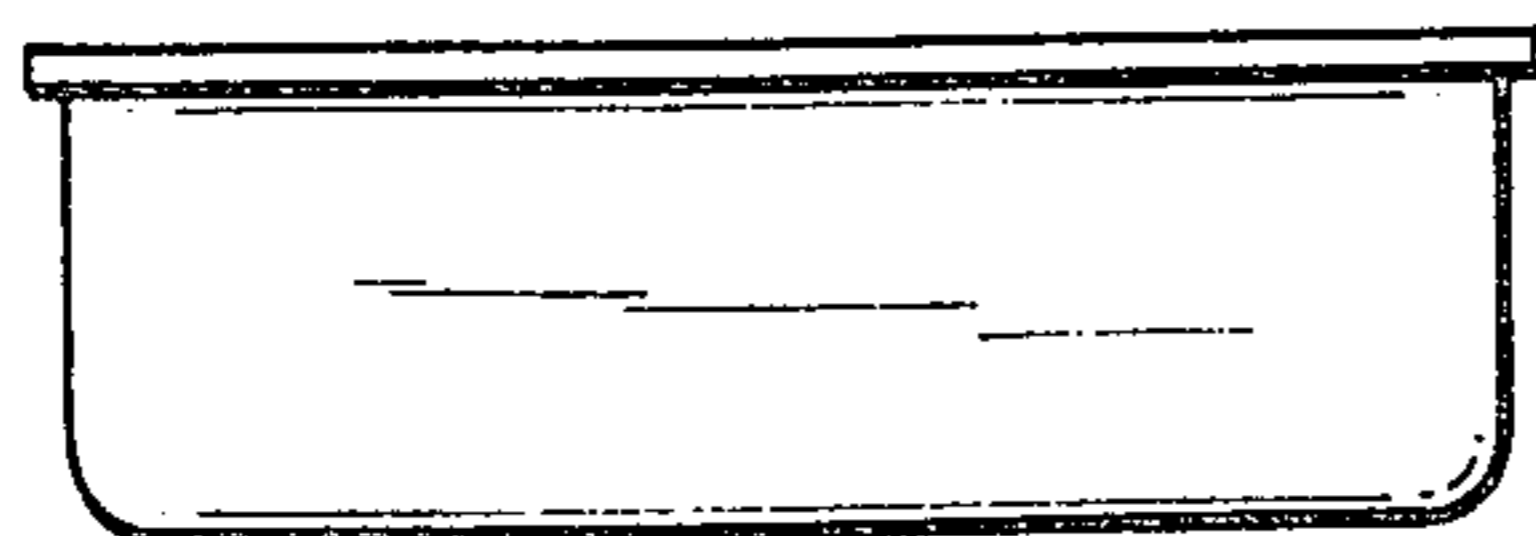


FIG. 6