

- [54] **SURGICAL STAPLE**
- [75] **Inventor: David T. Green, Norwalk, Conn.**
- [73] **Assignee: United States Surgical Corporation, Norwalk, Conn.**
- [**] **Term: 14 Years**
- [21] **Appl. No.: 480,443**
- [22] **Filed: Mar. 30, 1983**
- [52] **U.S. Cl. D24/26; D8/390; D24/27**
- [58] **Field of Search D8/390; D24/27; 128/334 R, 334 C; 411/457, 469, 475, 492, 493, 494, 497**

[56] **References Cited**
U.S. PATENT DOCUMENTS

| | | | |
|------------|---------|---------------------|-----------|
| D. 389,660 | 9/1888 | Mandrel et al. | 411/457 |
| 2,351,608 | 6/1944 | Greenwood | 59/77 |
| 3,357,296 | 12/1967 | Lefever | 128/334 C |
| 4,060,089 | 11/1977 | Noiles | 128/325 |
| 4,129,059 | 12/1978 | Van Eck | 411/475 |
| 4,263,903 | 4/1981 | Griggs | 128/334 R |
| 4,278,091 | 7/1981 | Borzzone | 128/334 C |

4,317,451 3/1982 Cerwin et al. 128/325

FOREIGN PATENT DOCUMENTS

2075144 11/1981 United Kingdom .

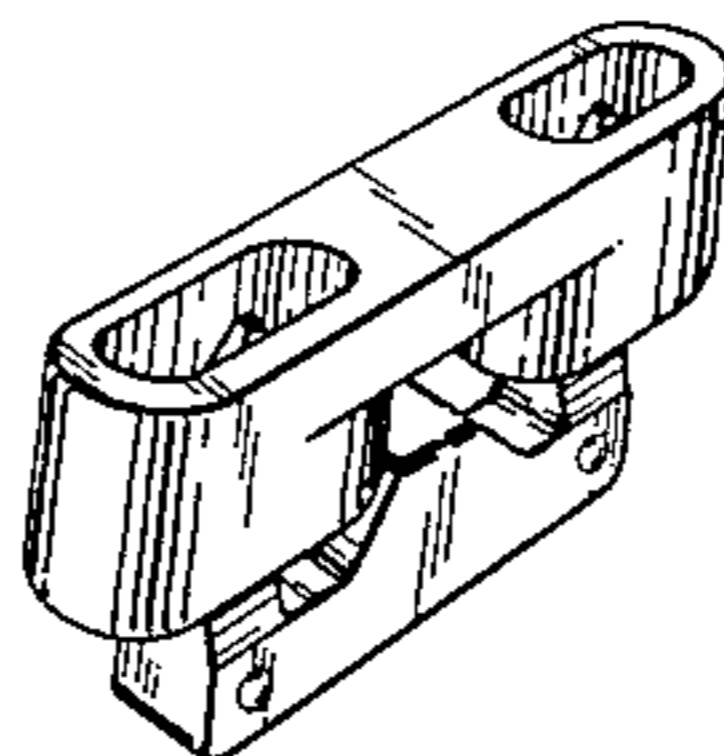
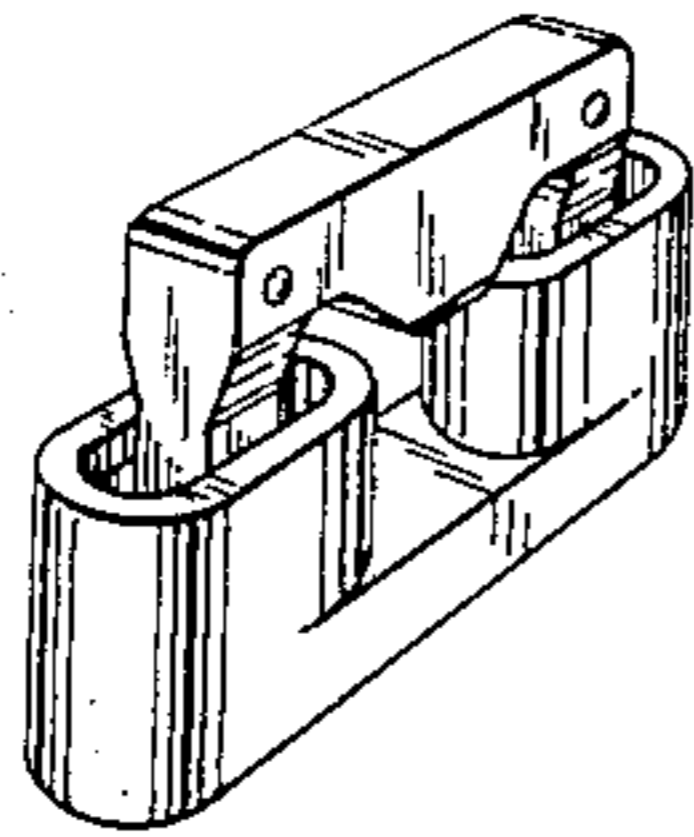
Primary Examiner—B. J. Bullock
Attorney, Agent, or Firm—John E. Nathan; Douglas J. Gilbert

[57] **CLAIM**

The ornamental design for a surgical staple, substantially as shown and described.

DESCRIPTION

FIG. 1 is a top perspective view of a surgical staple showing my new design;
FIG. 2 is a bottom perspective view thereof;
FIG. 3 is a front view thereof;
FIG. 4 is a side view thereof;
FIG. 5 is a top view thereof;
FIG. 6 is a bottom view thereof;
FIG. 7 is a top perspective view of the fastening element, shown separately for clarity of illustration;
FIG. 8 is a front view of FIG. 7;
FIG. 9 is a side view of FIG. 7.



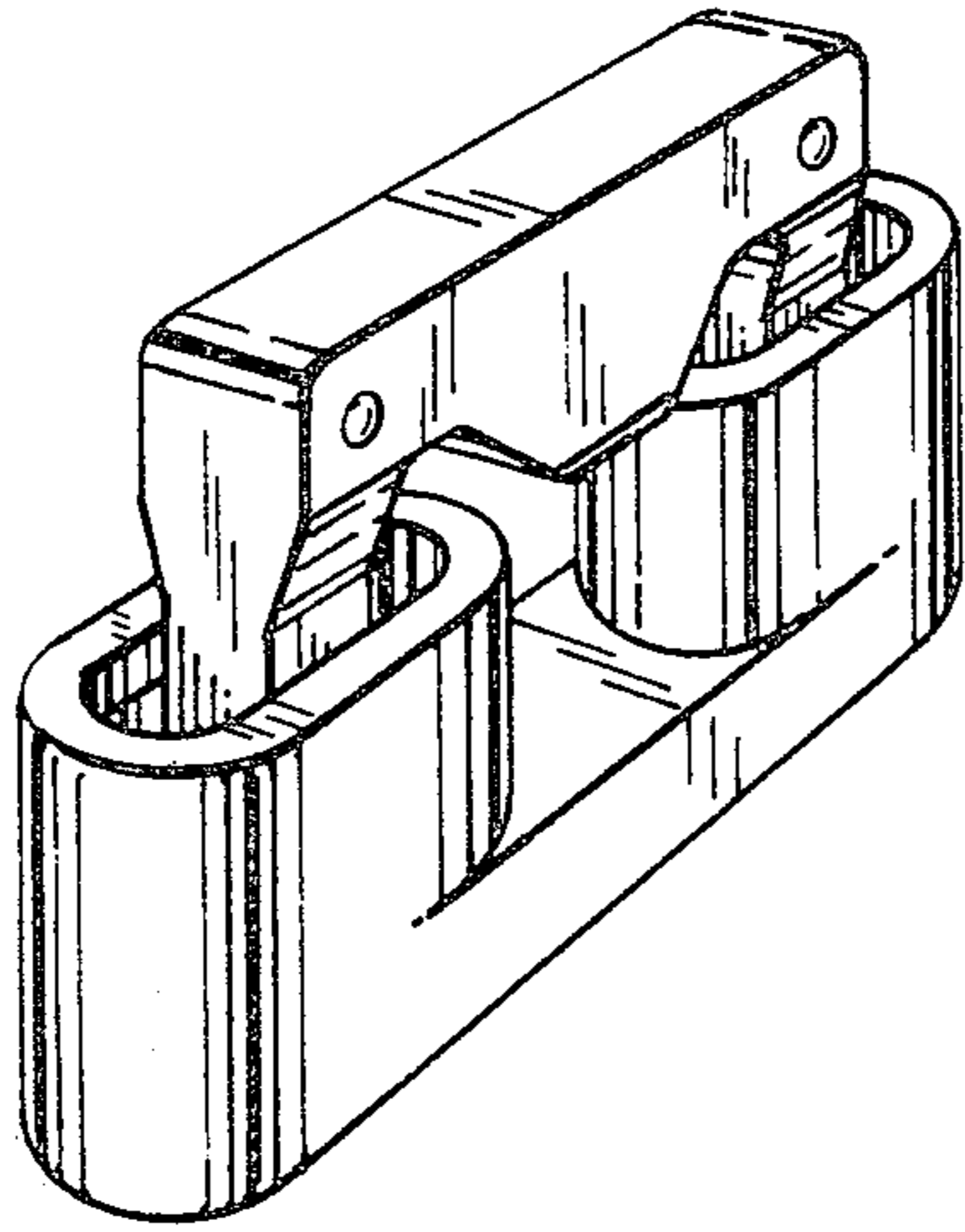


FIG. 1

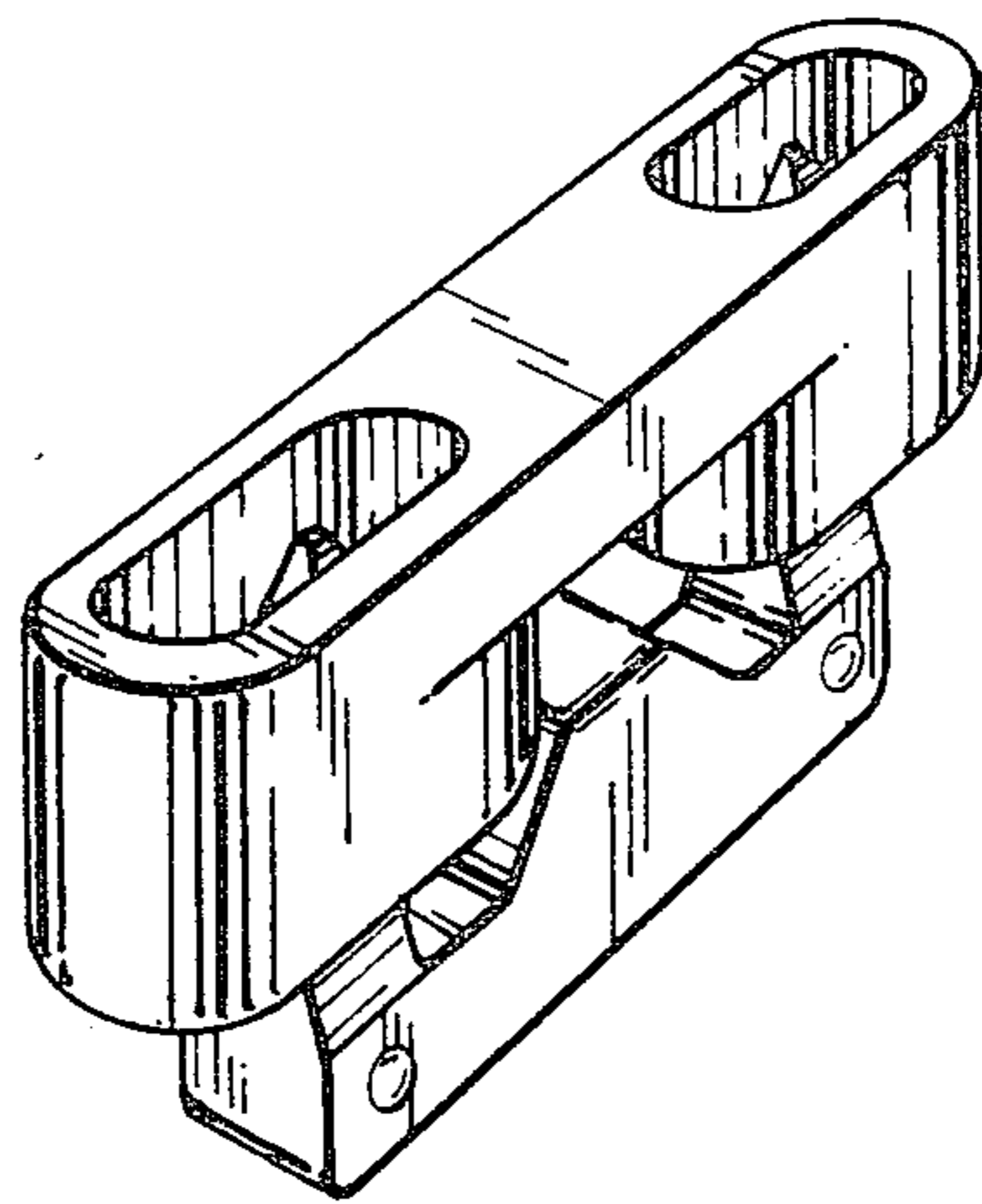


FIG. 2

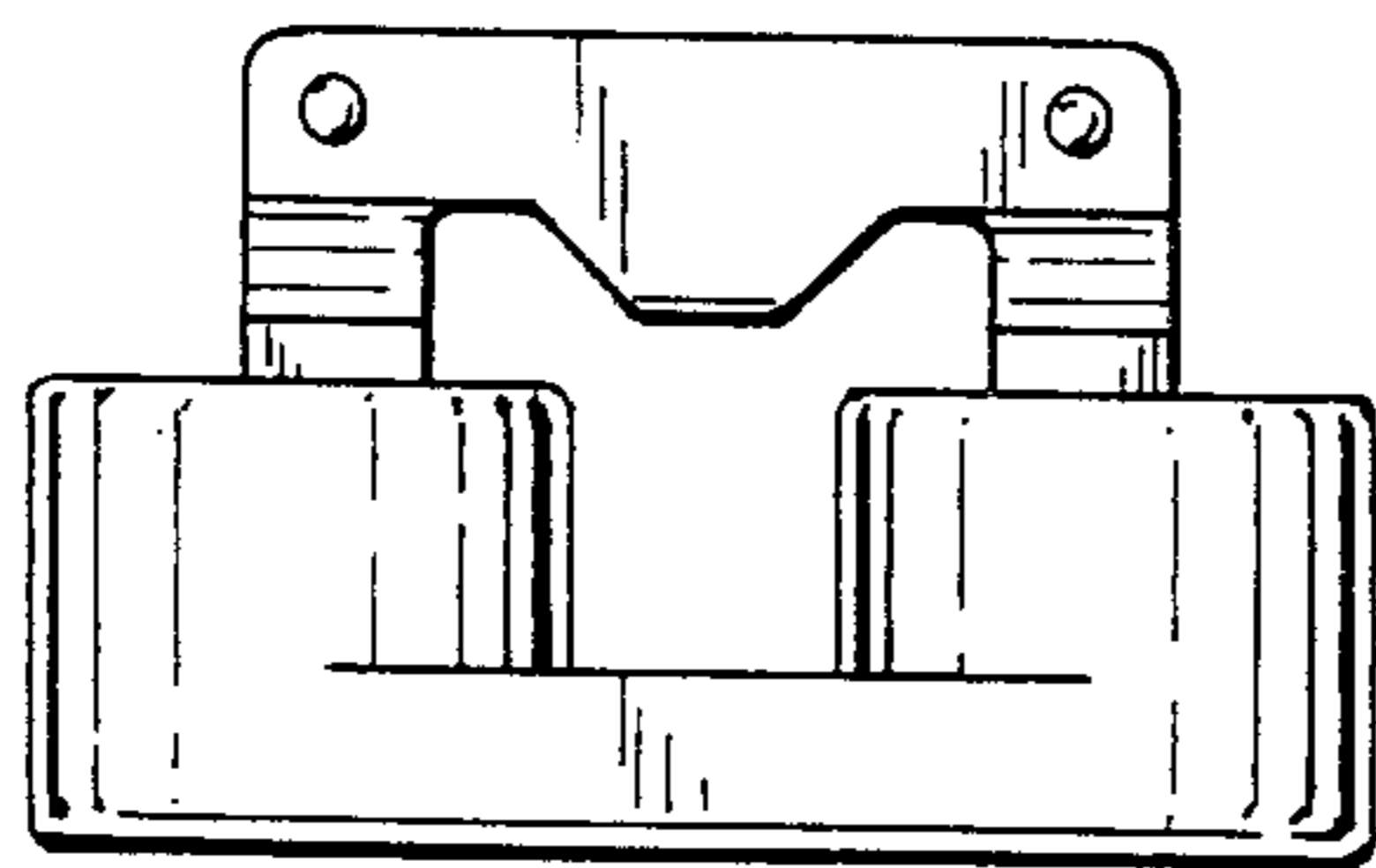


FIG. 3

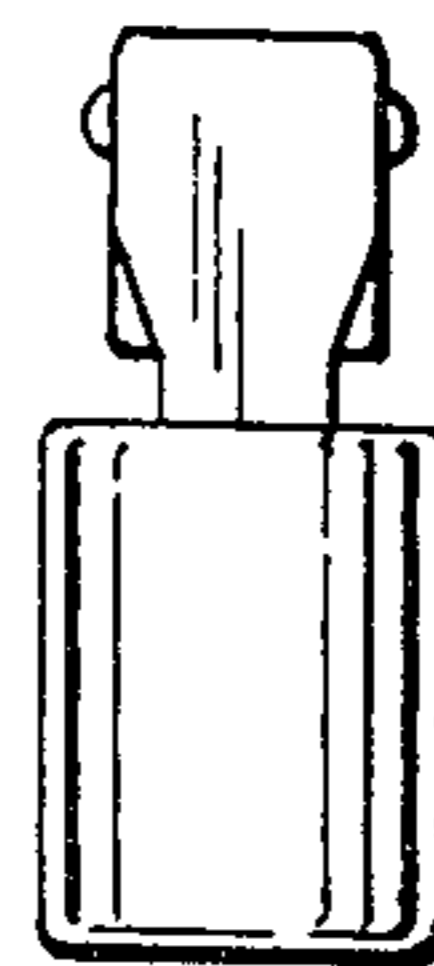


FIG. 4

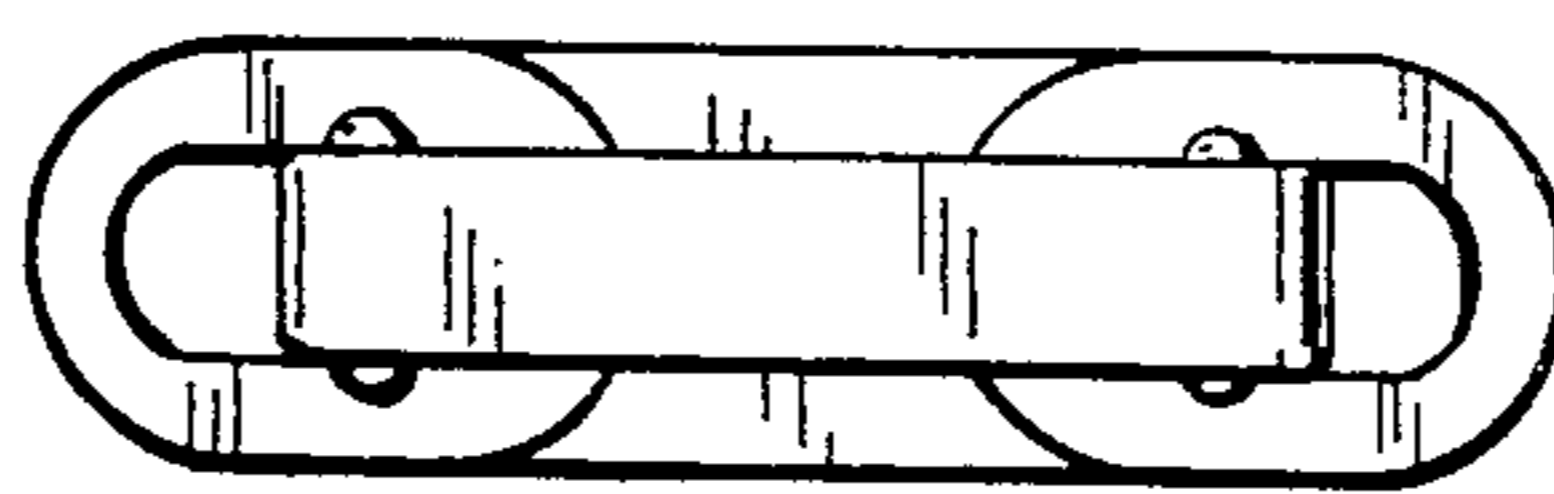


FIG. 5

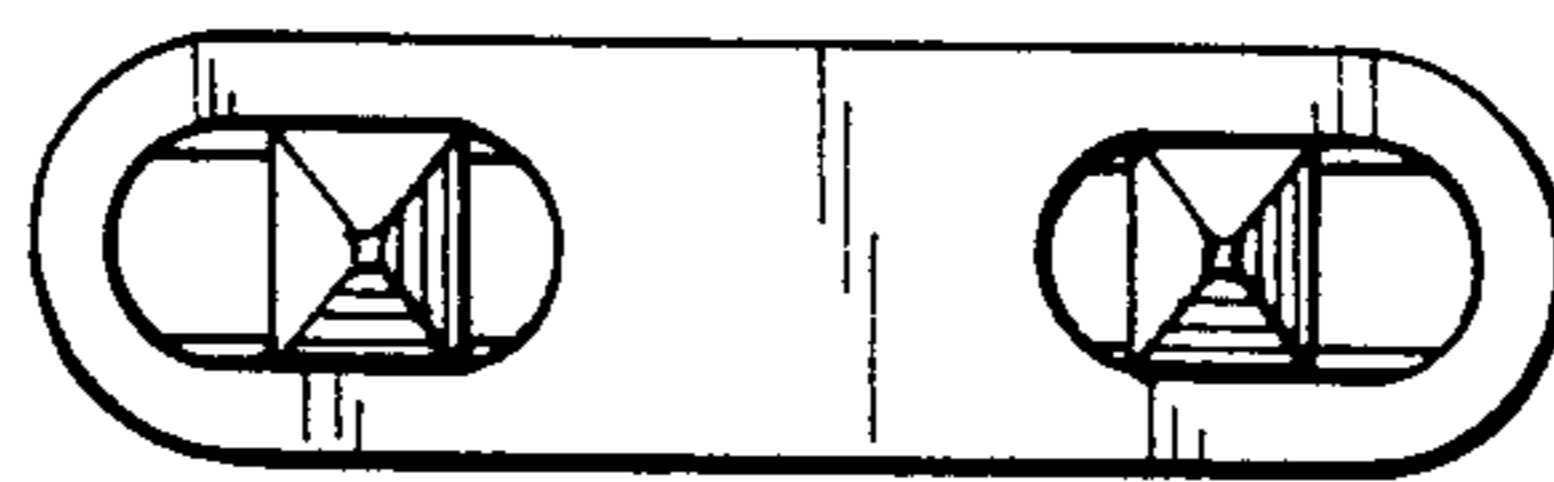


FIG. 6

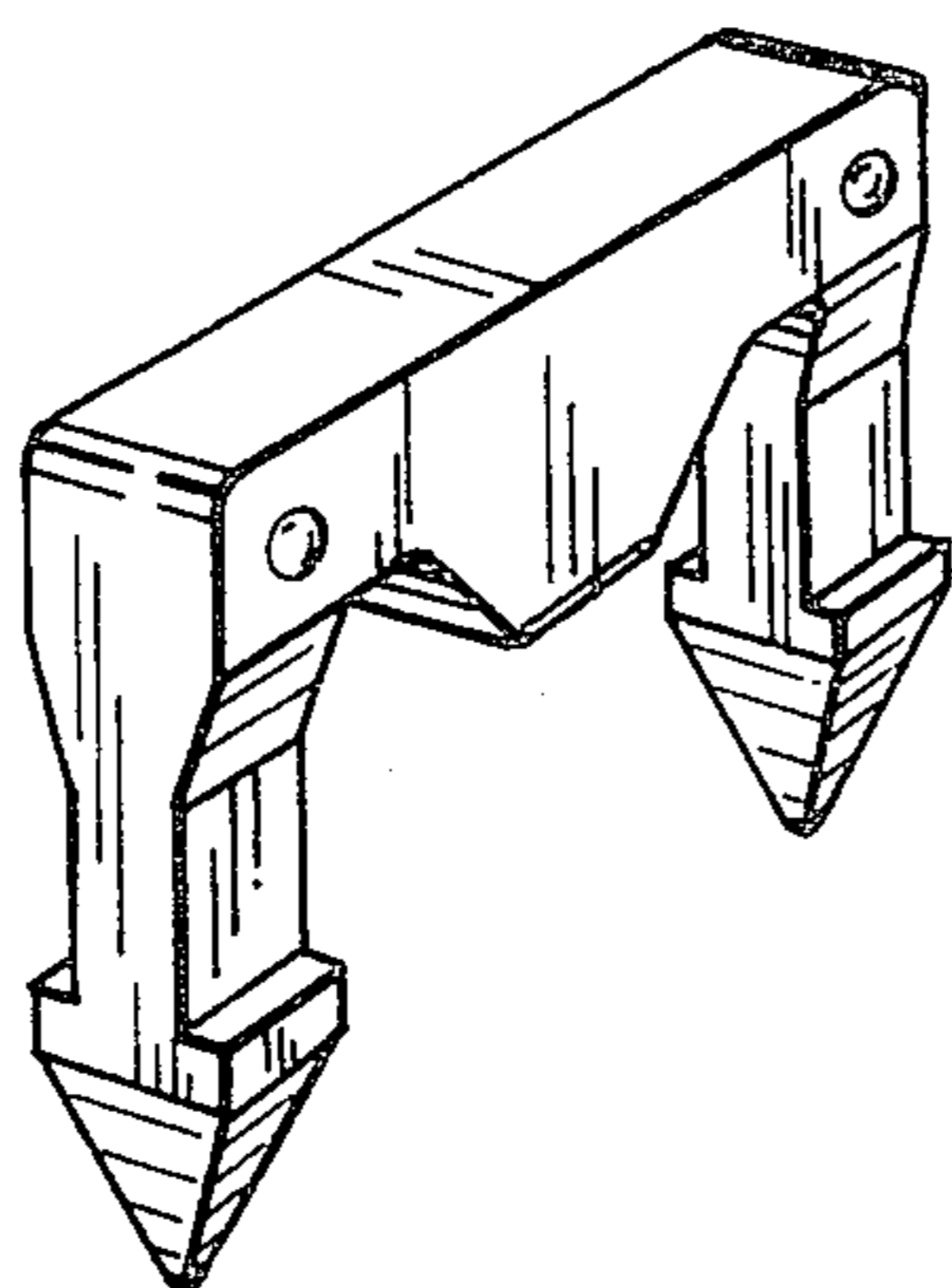


FIG. 7

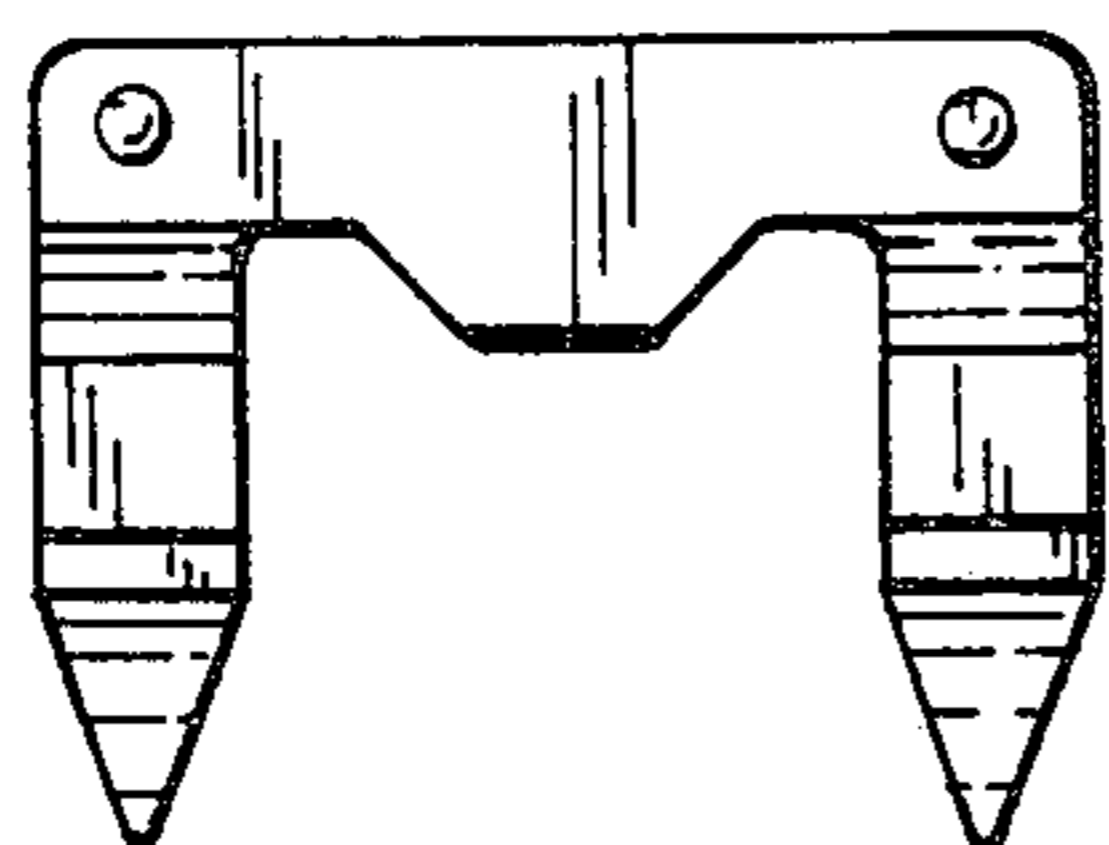


FIG. 8



FIG. 9