

[54] **SURGICAL STAPLE**
[75] **Inventor: David T. Green, Norwalk, Conn.**
[73] **Assignee: United States Surgical Corporation, Norwalk, Conn.**
[**] **Term: 14 Years**
[21] **Appl. No.: 480,423**
[22] **Filed: Mar. 30, 1983**
[52] **U.S. Cl. D24/26; D8/390; D24/29**
[58] **Field of Search D8/390; D24/27, 26, D24/29; 128/334 R, 334 C; 411/457, 469, 475, 492, 493, 494, 497**

[56] **References Cited**
U.S. PATENT DOCUMENTS
D. 389,660 9/1888 Mandel et al. 411/457
2,351,608 6/1944 Greenwood 59/77
3,357,296 12/1967 Lefever 128/334 C
4,060,089 11/1977 Noiles 128/325
4,129,059 12/1978 Van Eck 411/475
4,263,903 4/1981 Griggs 128/334 R
4,278,091 7/1981 Borzone 128/334 C

4,317,451 3/1982 Cerwin et al. 128/325
FOREIGN PATENT DOCUMENTS
2075144 11/1981 United Kingdom .

Primary Examiner—B. J. Bullock
Attorney, Agent, or Firm—John E. Nathan; Douglas J. Gilbert

[57] **CLAIM**
The ornamental design for a surgical staple, substantially as shown and described.

DESCRIPTION
FIG. 1 is a top perspective view of a surgical staple showing my new design;
FIG. 2 is a bottom perspective view thereof;
FIG. 3 is a front view thereof;
FIG. 4 is a side view thereof;
FIG. 5 is a top view thereof;
FIG. 6 is a bottom view thereof;
FIG. 7 is a top perspective view of the fastening element, shown separately for clarity of illustration;
FIG. 8 is a front view of FIG. 7;
FIG. 9 is a side view of FIG. 7.

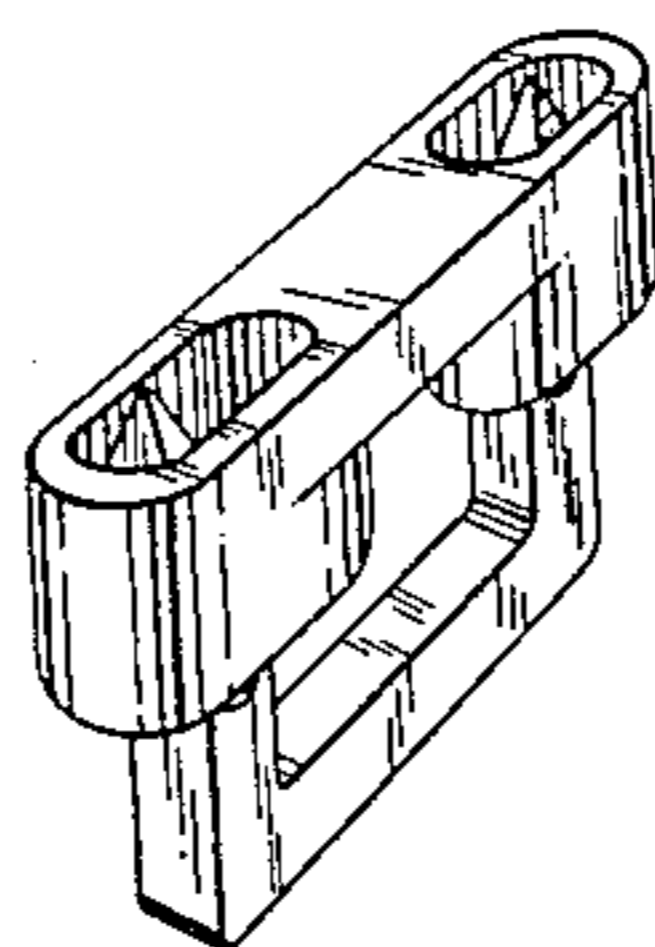
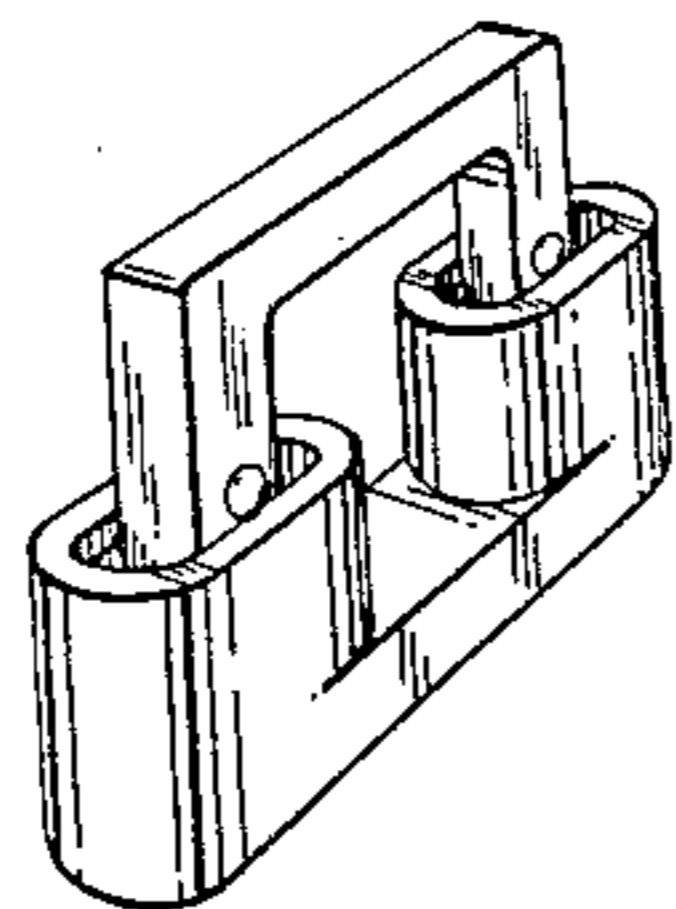


FIG. 1

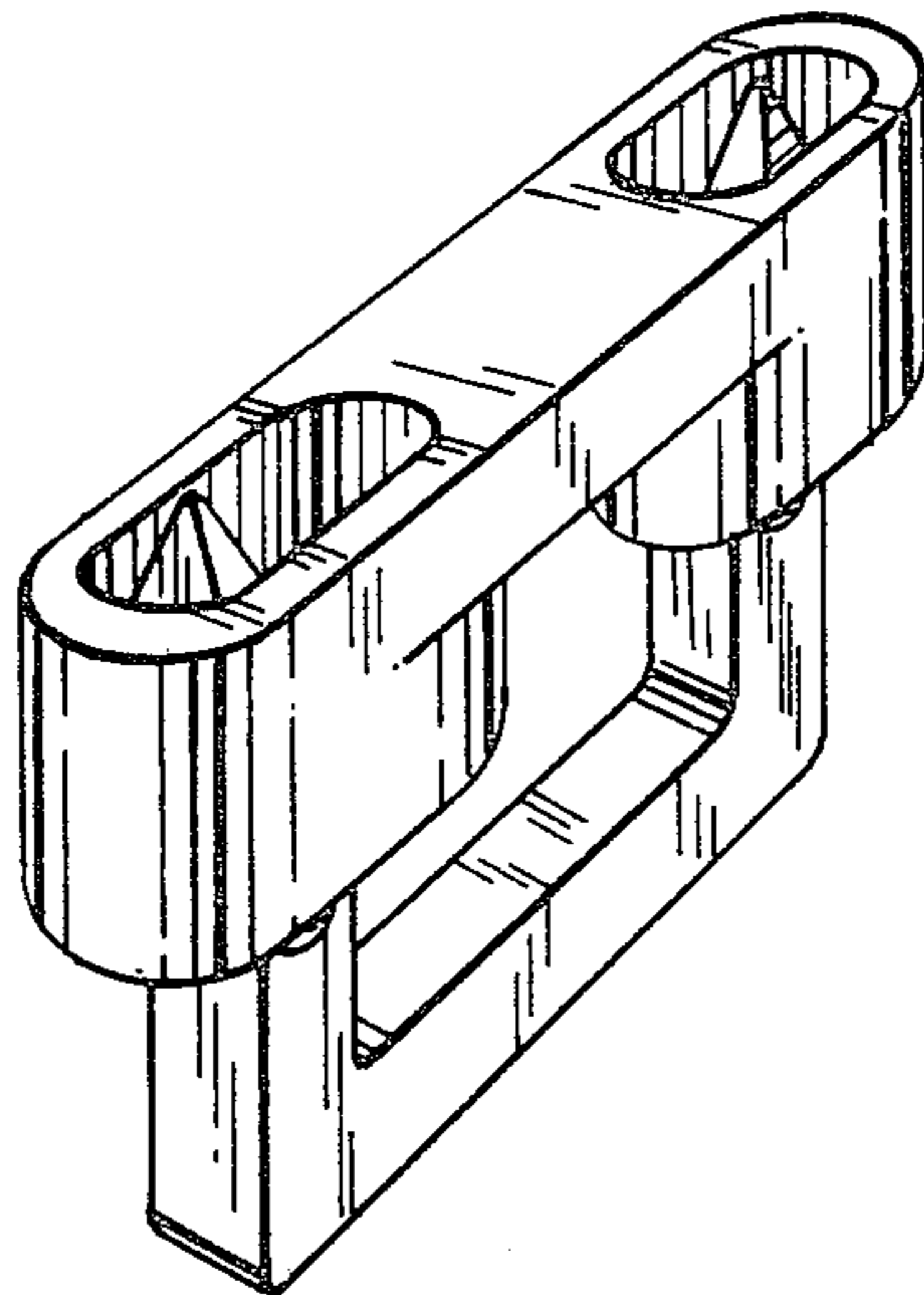
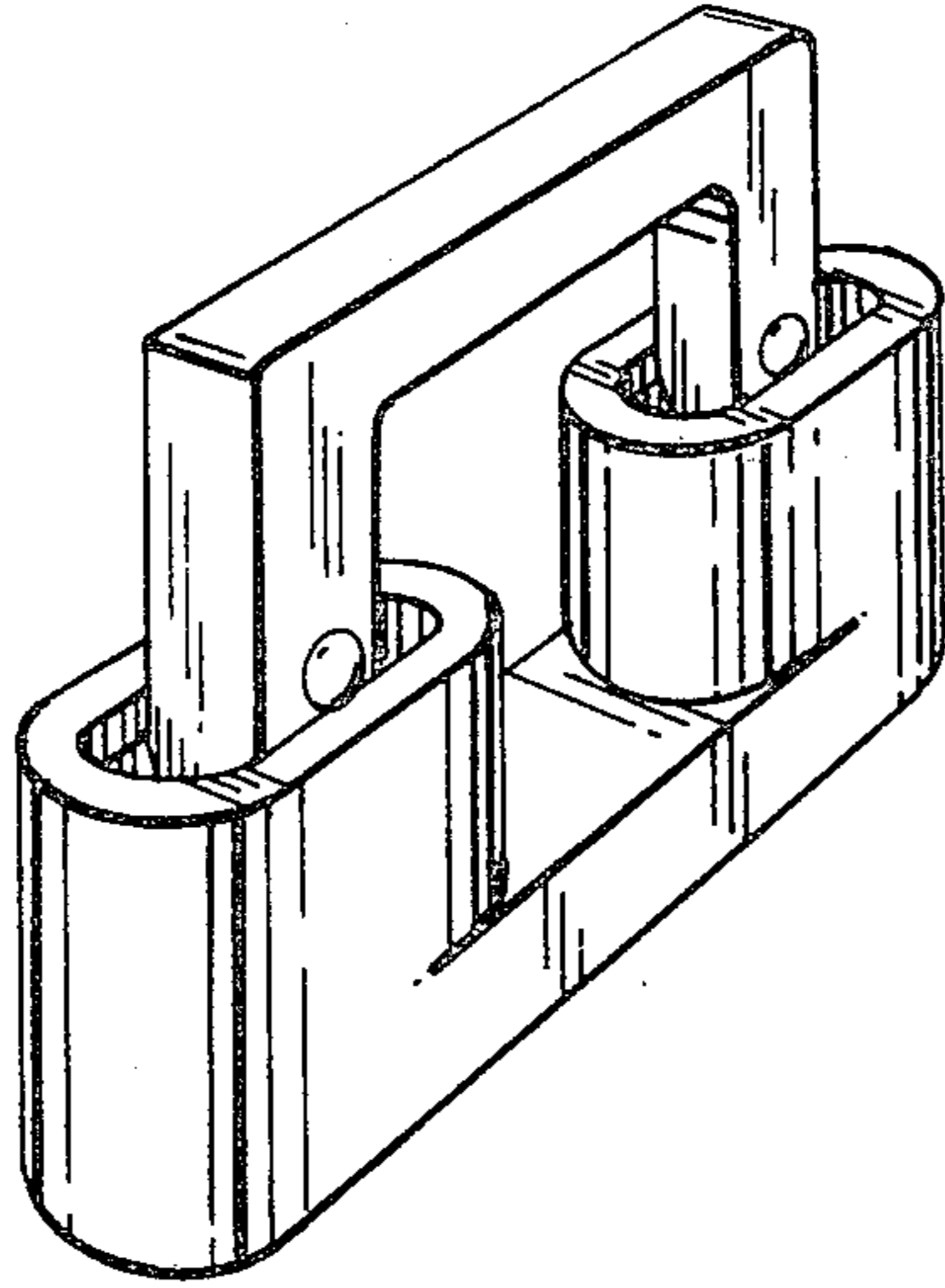


FIG. 2

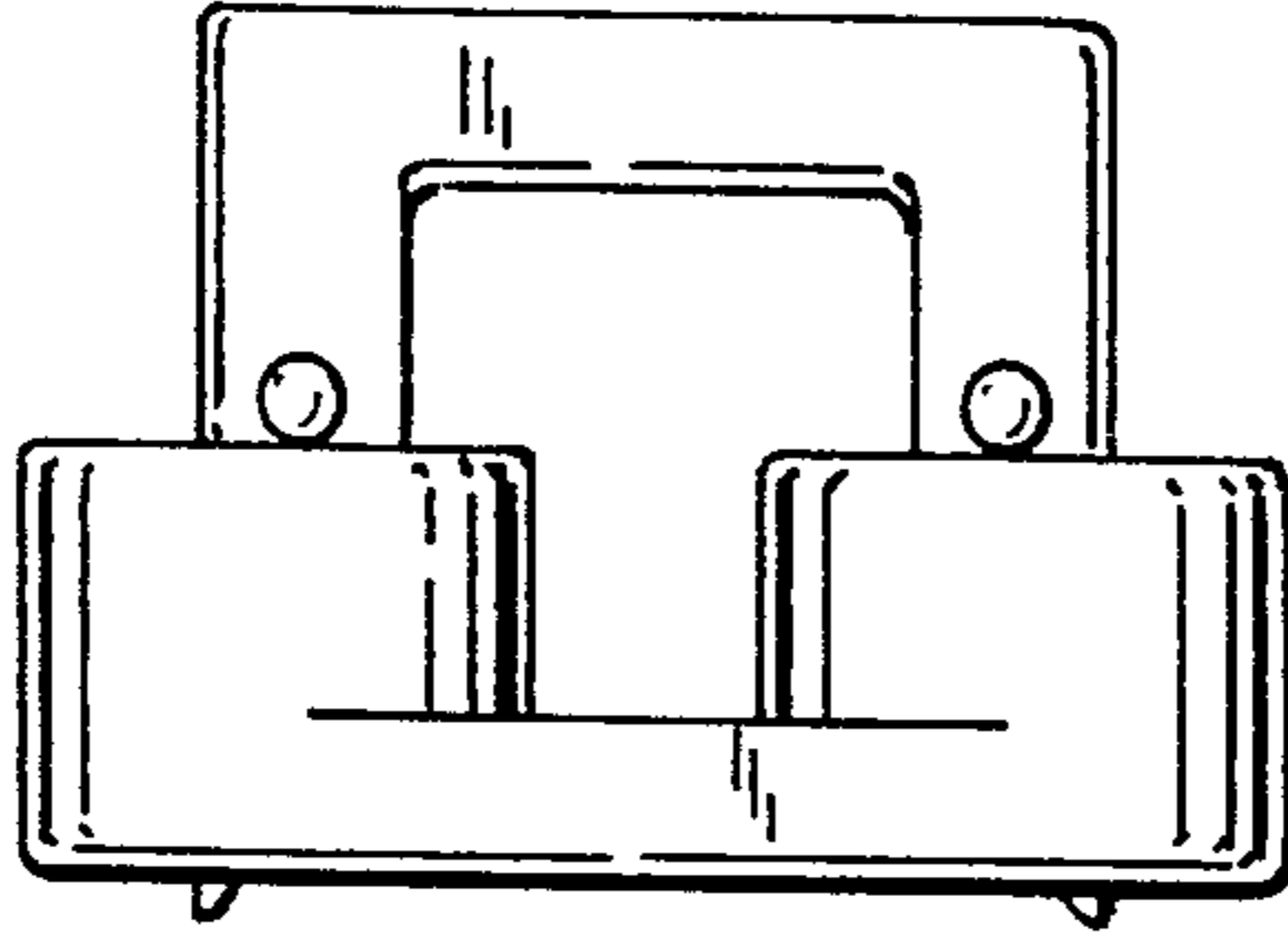


FIG. 3

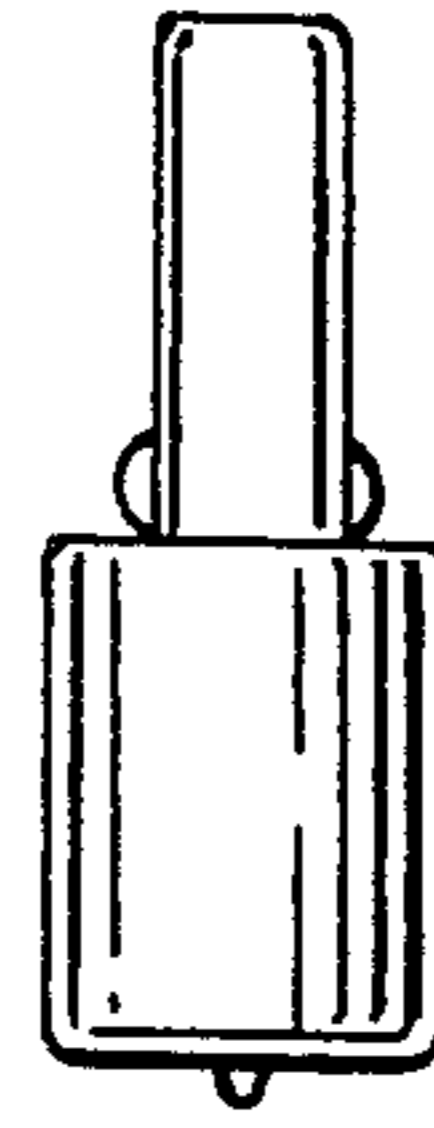


FIG. 4

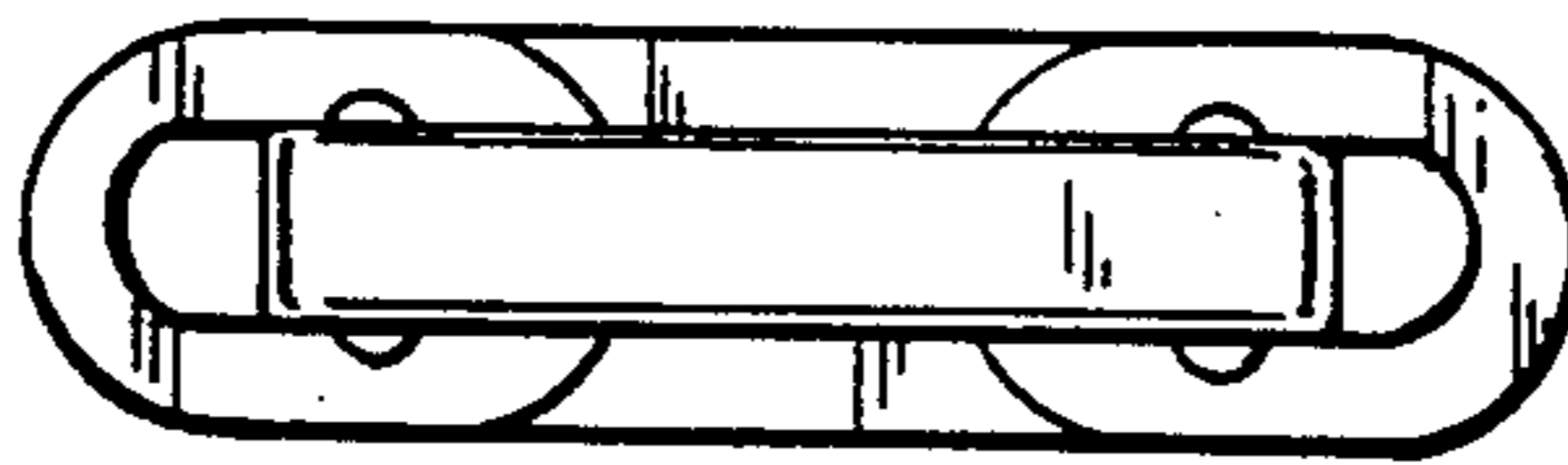


FIG. 5

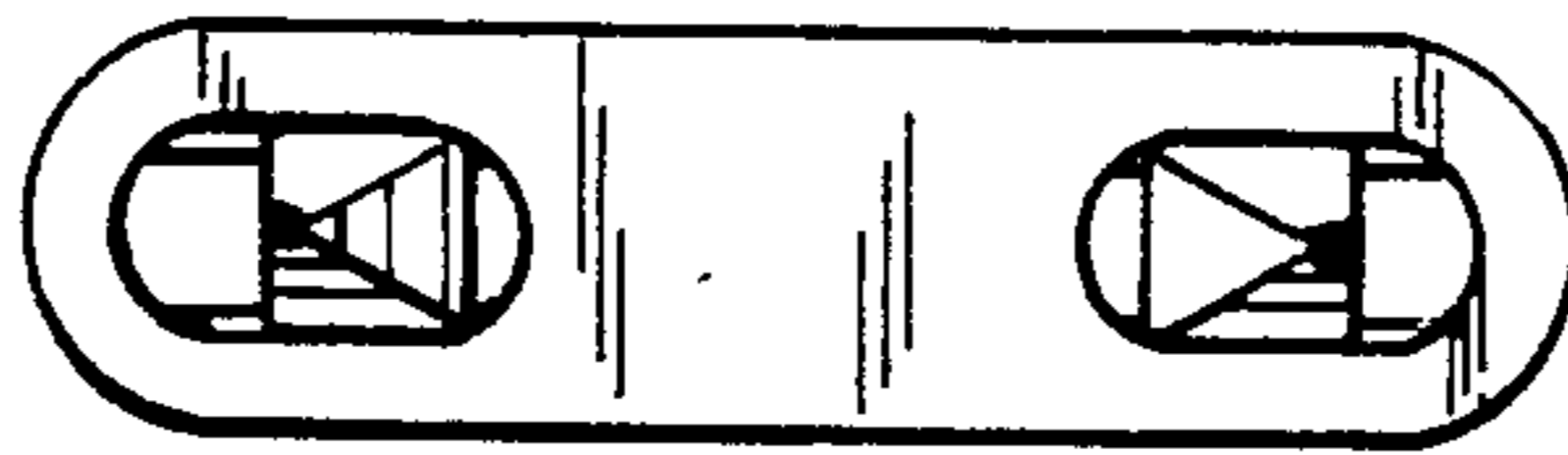


FIG. 6

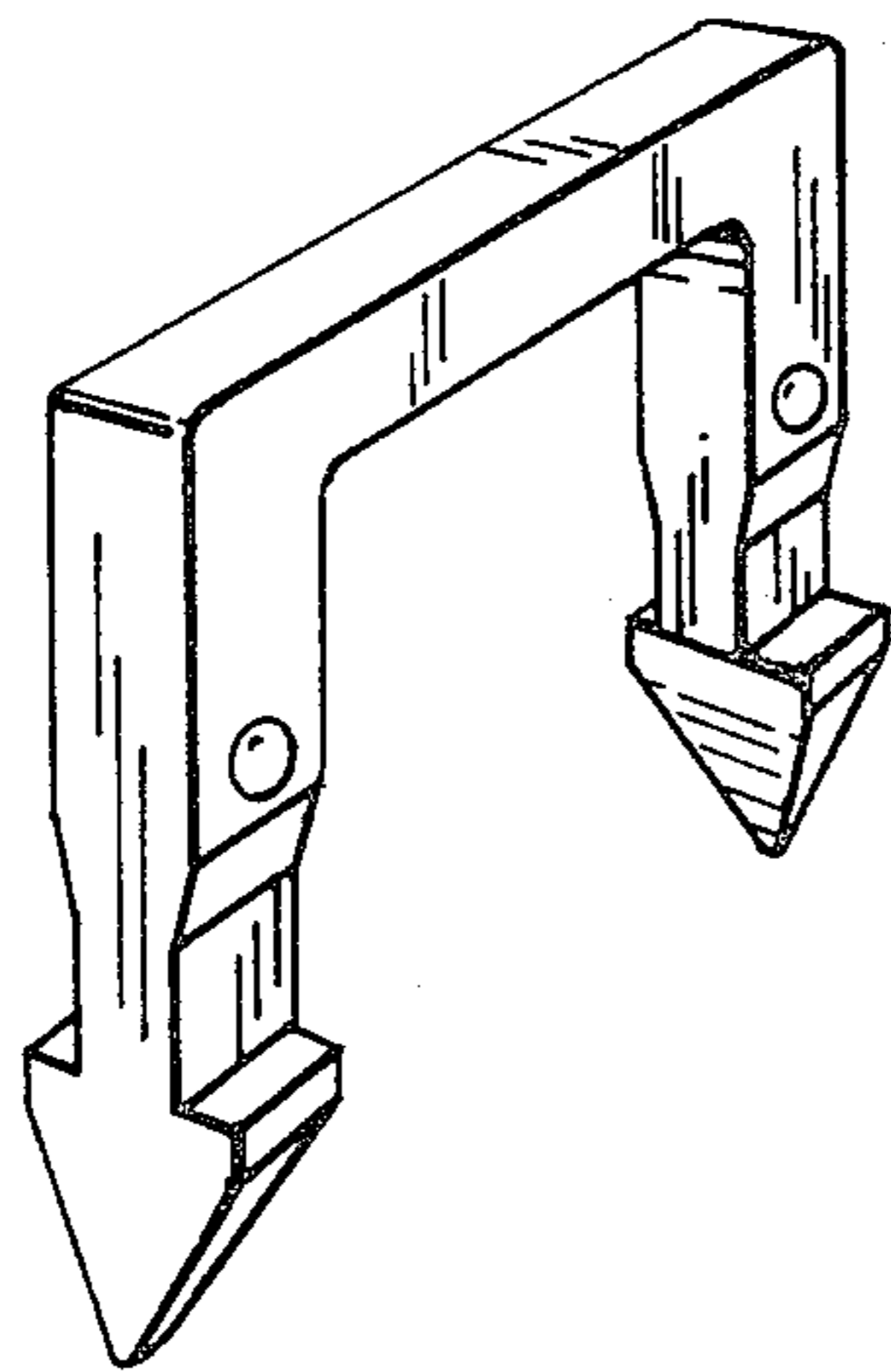


FIG. 7

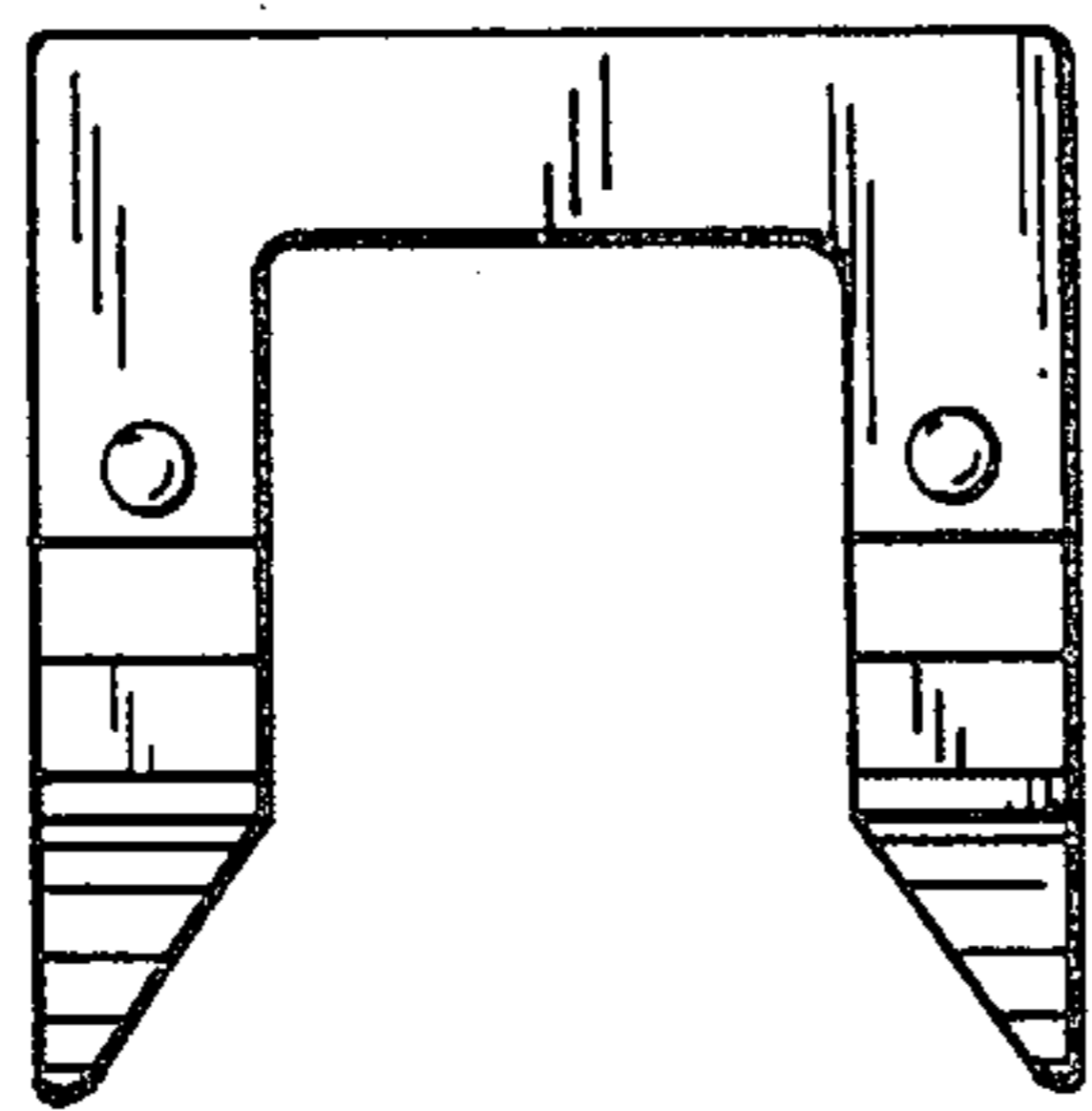


FIG. 8



FIG. 9