

[54] CONTROLLER FOR A DUAL DRUG DELIVERY SYSTEM

[75] Inventor: Denis H. Nelson, Poway, Calif.

[73] Assignee: Warner-Lambert Company, Morris Plains, N.J.

[**] Term: 14 Years

[21] Appl. No.: 556,671

[22] Filed: Nov. 30, 1983

[52] U.S. Cl. D24/8

[58] Field of Search D24/51, 8, 17, 21; 604/65, 67, 245, 246, 253

[56] References Cited

U.S. PATENT DOCUMENTS

- D. 255,147 5/1980 Jess et al. D24/8
- D. 268,206 3/1983 Kosako D24/8
- 3,985,133 10/1976 Jenkins et al. 604/67

4,367,736 1/1983 Gupton 604/67

FOREIGN PATENT DOCUMENTS

2059015 4/1981 United Kingdom 604/65

Primary Examiner—A. Hugo Word

Assistant Examiner—Stella Reid

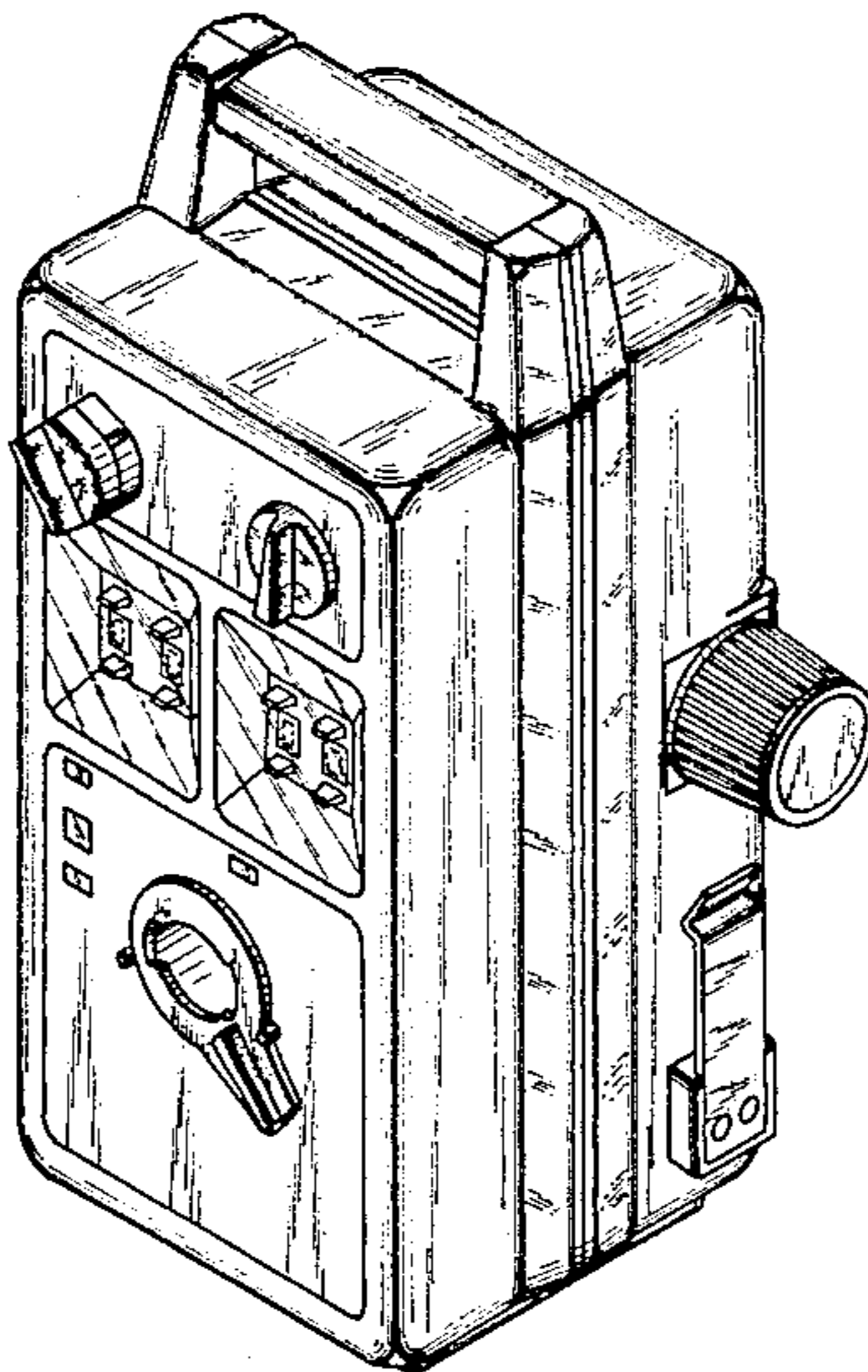
Attorney, Agent, or Firm—Neil K. Nydegger

[57] CLAIM

The ornamental design for a controller for a dual drug delivery system, substantially as shown.

DESCRIPTION

FIG. 1 is a perspective view of a controller for a dual drug delivery system showing my new design; FIG. 2 is a right side elevational view of the controller for a dual drug delivery system; FIG. 3 is a back side elevational view of the controller for a dual drug delivery system; and FIG. 4 is a bottom plan view of the controller for a dual drug delivery system.



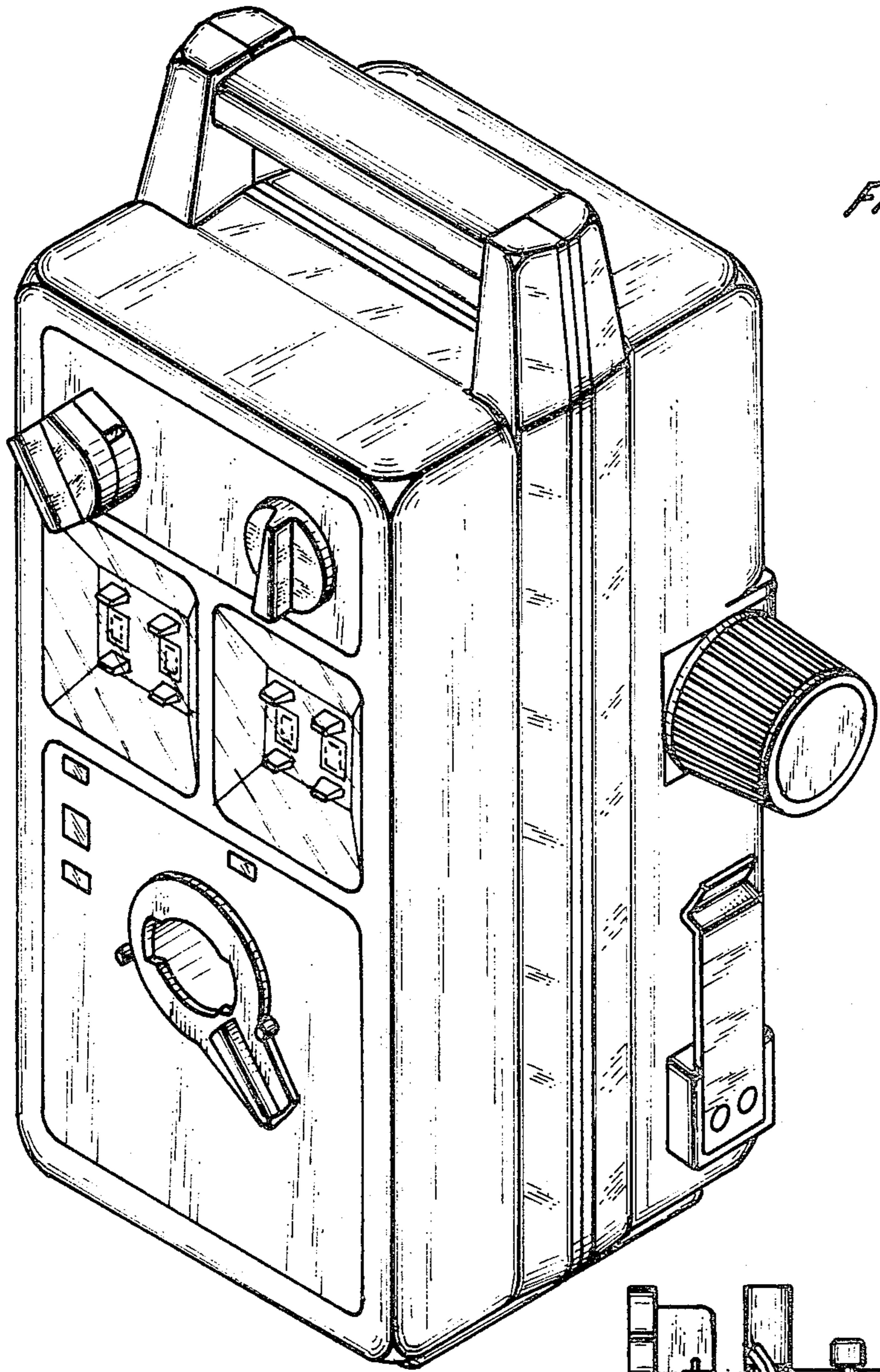


Fig. 1

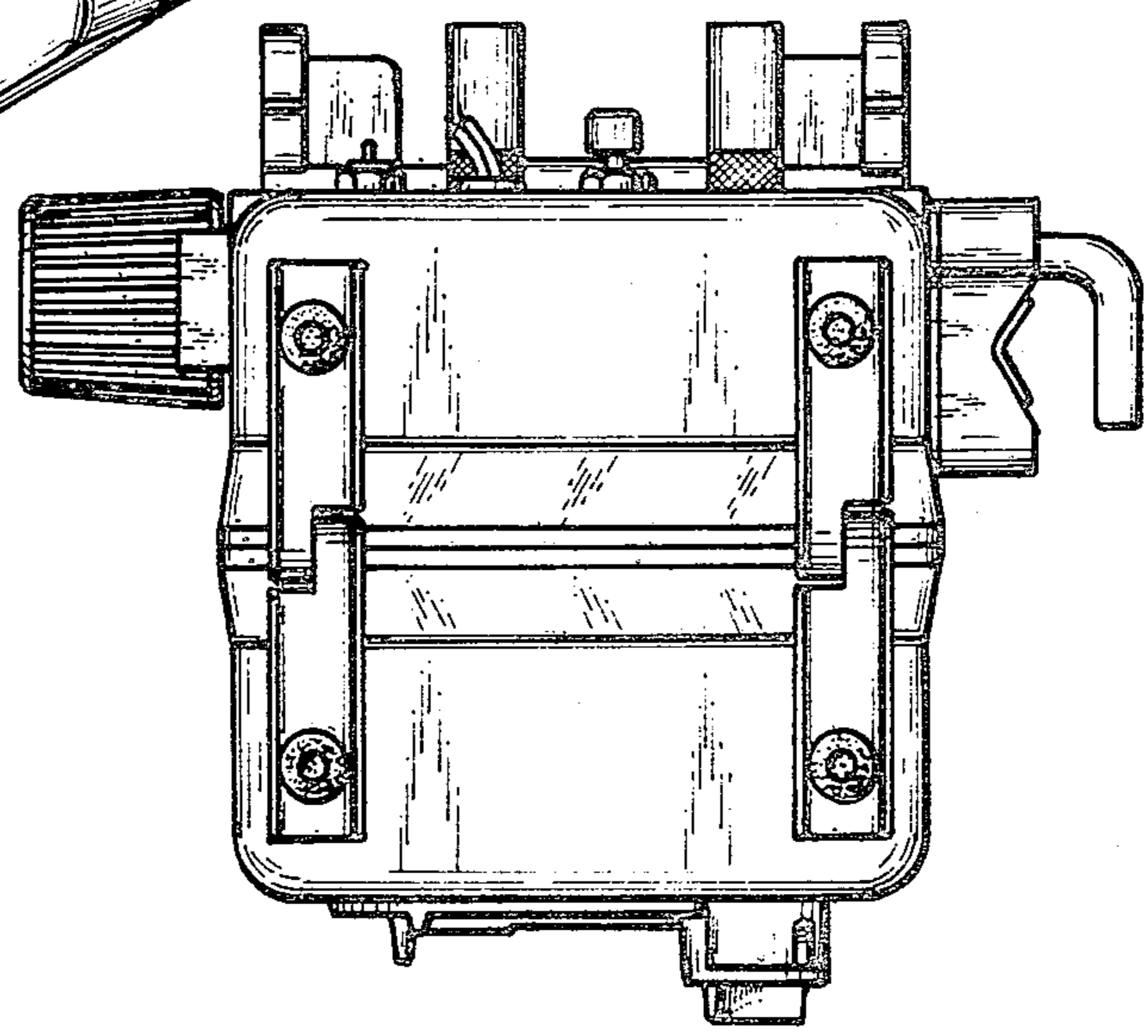


Fig. 4

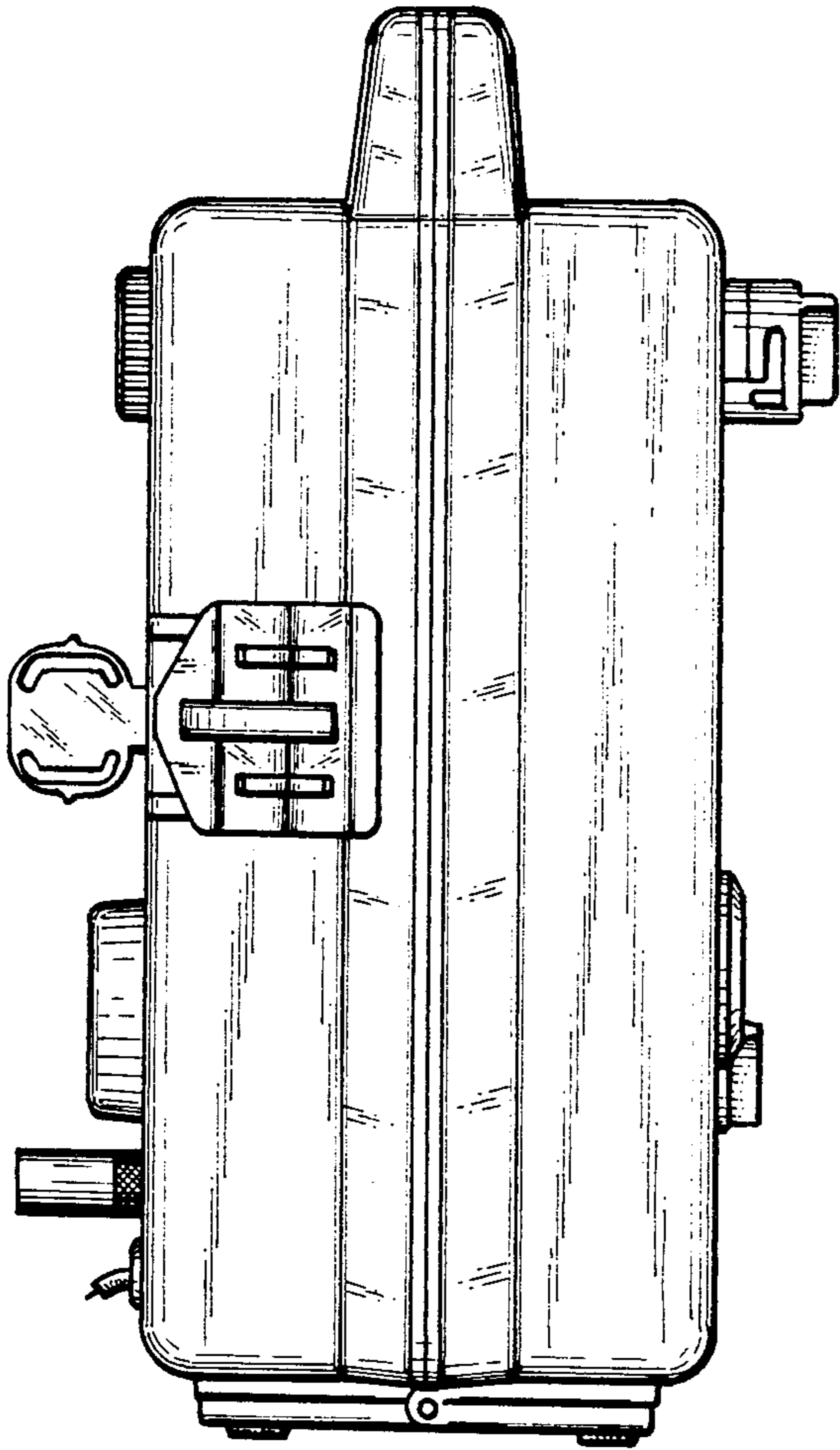


Fig. 2

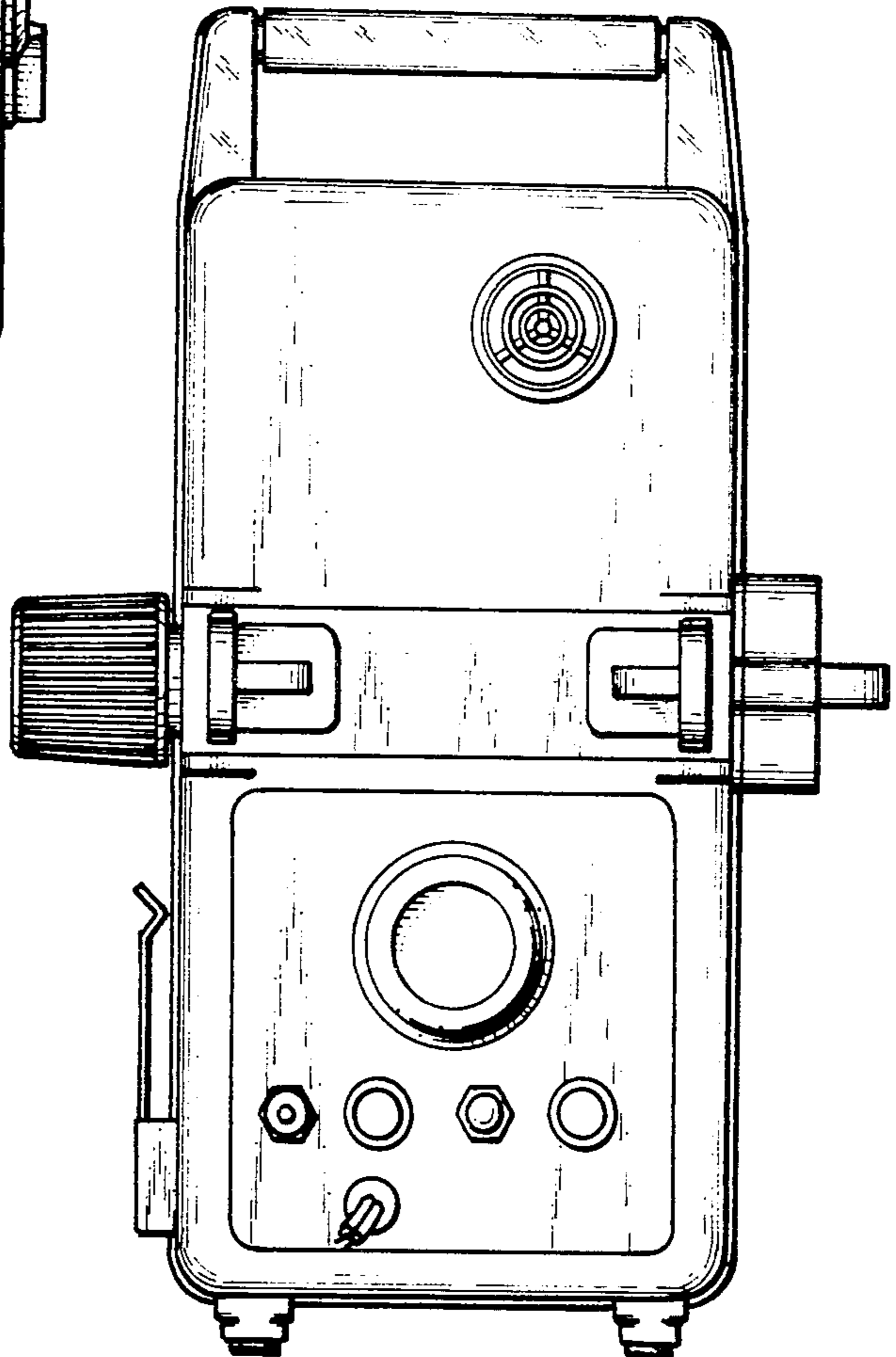


Fig. 3