

United States Patent [19]

Iwasaki et al.

[11] Patent Number: **Des. 280,927**

[45] Date of Patent: **** Oct. 8, 1985**

[54] **AIR FRESHENER CONTAINER**

[75] Inventors: **Masamitsu Iwasaki, Tokyo;**
Masamitsu Yamamoto, Funabashi,
both of Japan

[73] Assignee: **Uni-Charm Corporation, Ehime,**
Japan

[**] Term: **14 Years**

[21] Appl. No.: **472,835**

[22] Filed: **Mar. 7, 1983**

[30] **Foreign Application Priority Data**

Oct. 25, 1982 [JP] Japan 57-48191

[52] U.S. Cl. **D23/150; D9/388**

[58] Field of Search D23/150; D9/307, 308,
D9/388

[56] **References Cited**

U.S. PATENT DOCUMENTS

D. 164,983 10/1951 Crook D23/150
D. 236,086 7/1975 Manley D9/308
D. 238,428 1/1976 Schimanski D23/150
D. 251,984 5/1979 Gombert et al. D23/150

D. 262,821 1/1982 Poore D23/150
D. 275,785 10/1984 Kent D23/150
3,946,945 3/1976 Odioso et al. 239/58
4,258,874 3/1981 Webinger et al. 239/59 X

Primary Examiner—James R. Largen
Attorney, Agent, or Firm—Fred Philpitt

[57] **CLAIM**

The ornamental design for air freshener container, as shown and described.

DESCRIPTION

FIG. 1 is a perspective view of an air freshener container showing our new design;
FIG. 2 is an exploded perspective view thereof, with the inner container cover omitted for convenience of illustration;
FIG. 3 is a front elevational view thereof, the rear being the same as the front shown;
FIG. 4 is a side elevational view thereof, the opposite side being the same as the side shown;
FIG. 5 is a top plan view thereof;
FIG. 6 is a bottom plan view thereof; and
FIG. 7 is a cross sectional view taken on line 7—7 of FIG. 3.

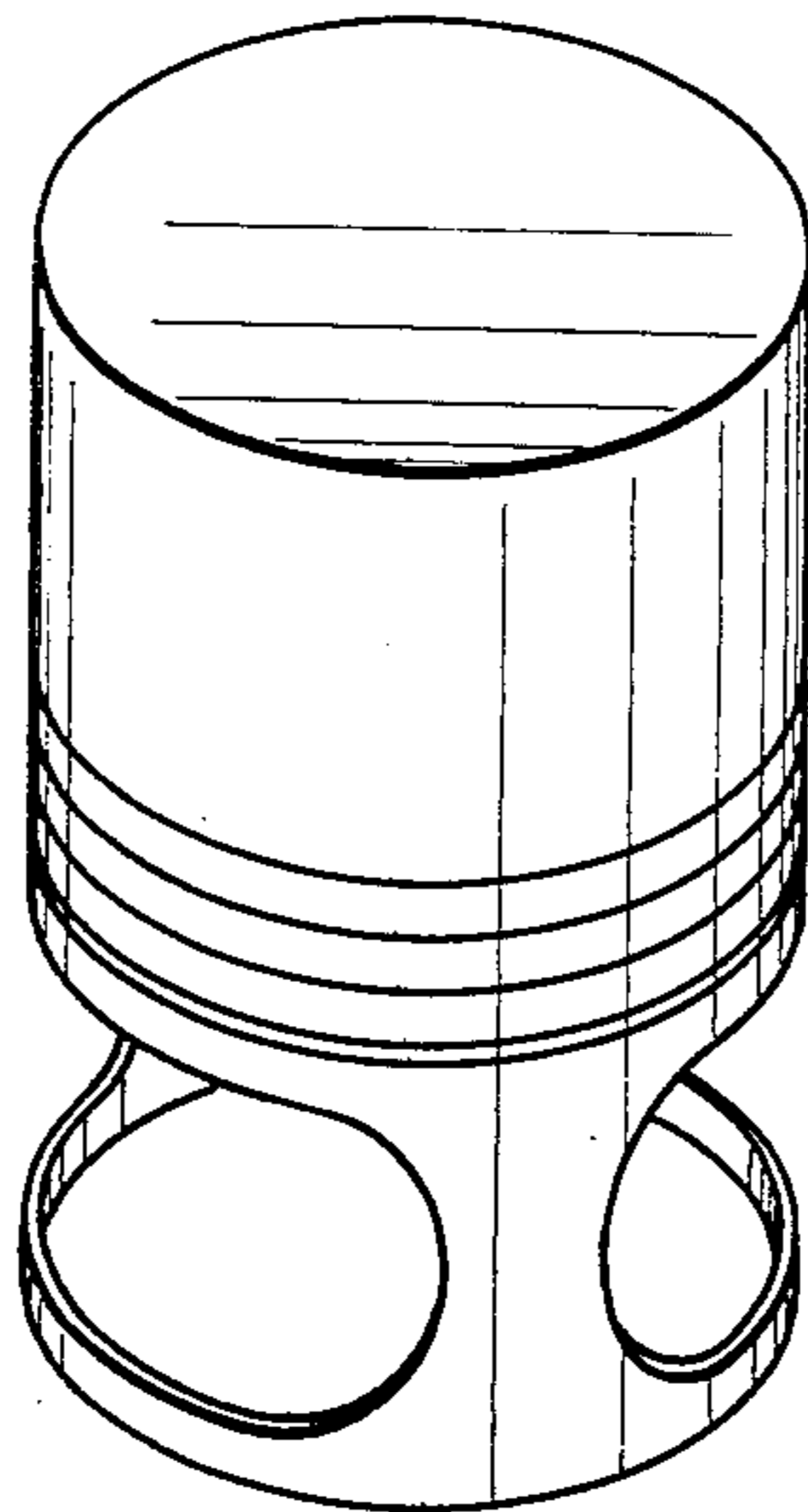


FIG. 1

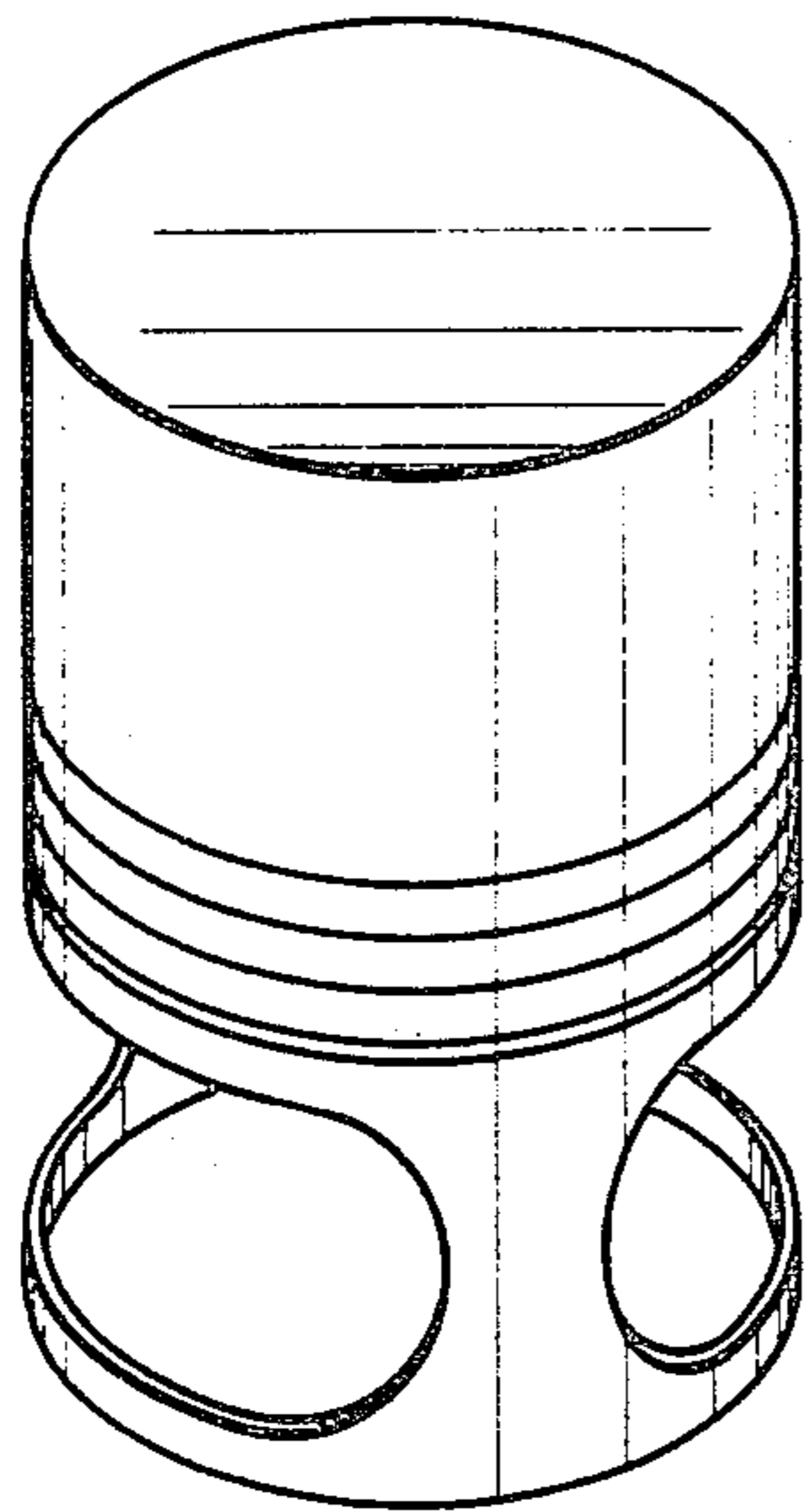


FIG. 2

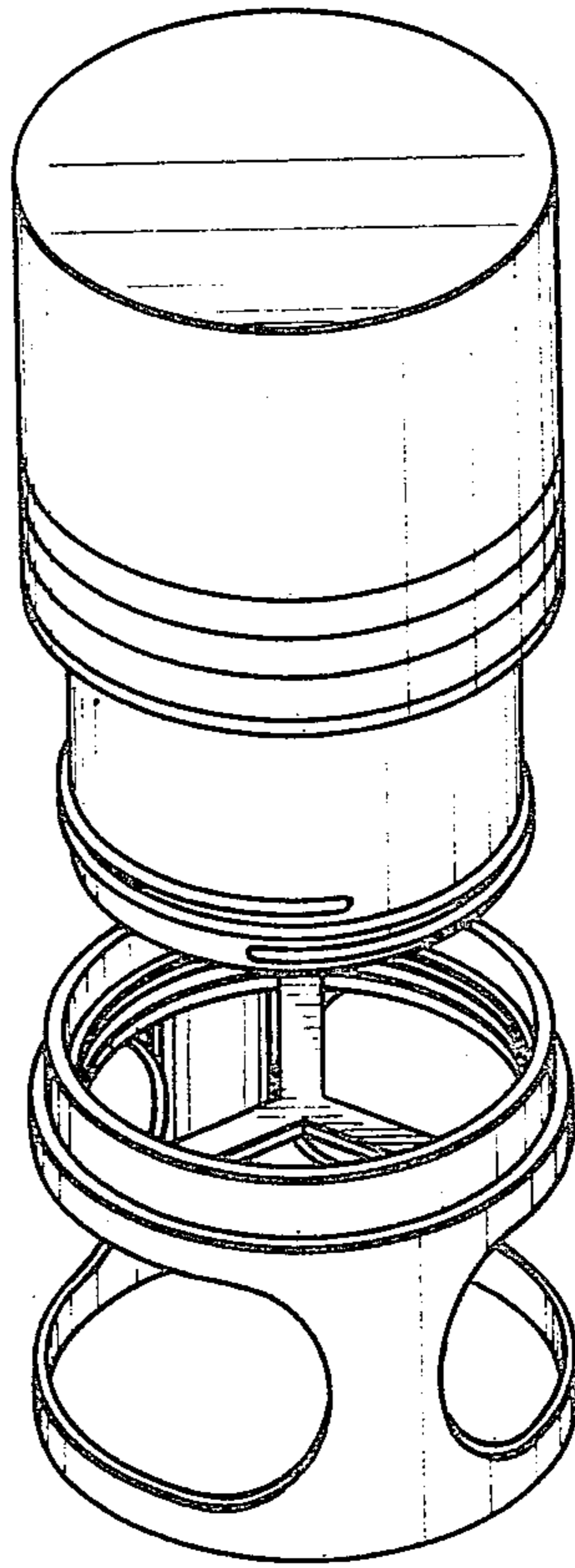


FIG. 3

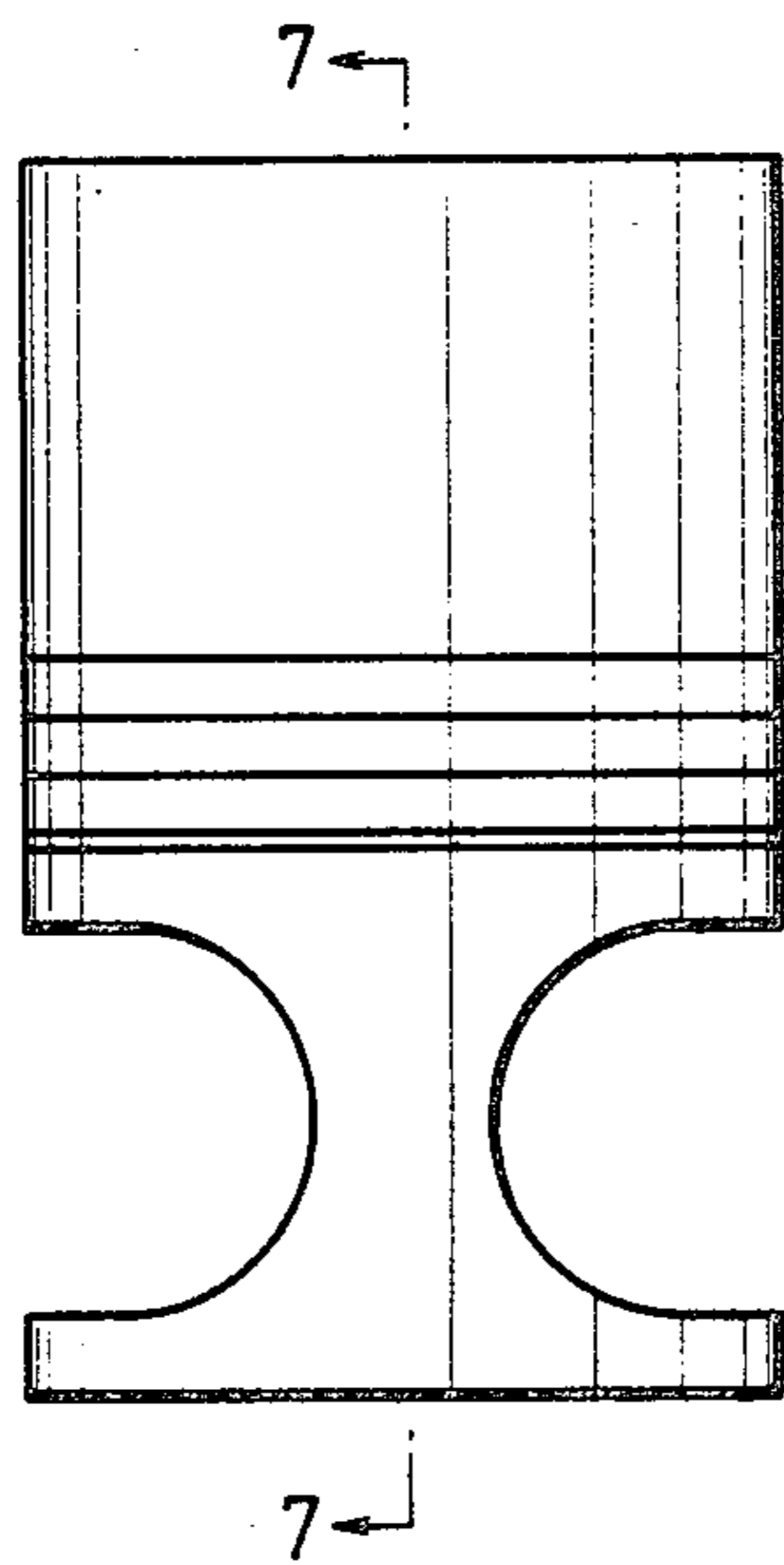


FIG. 4

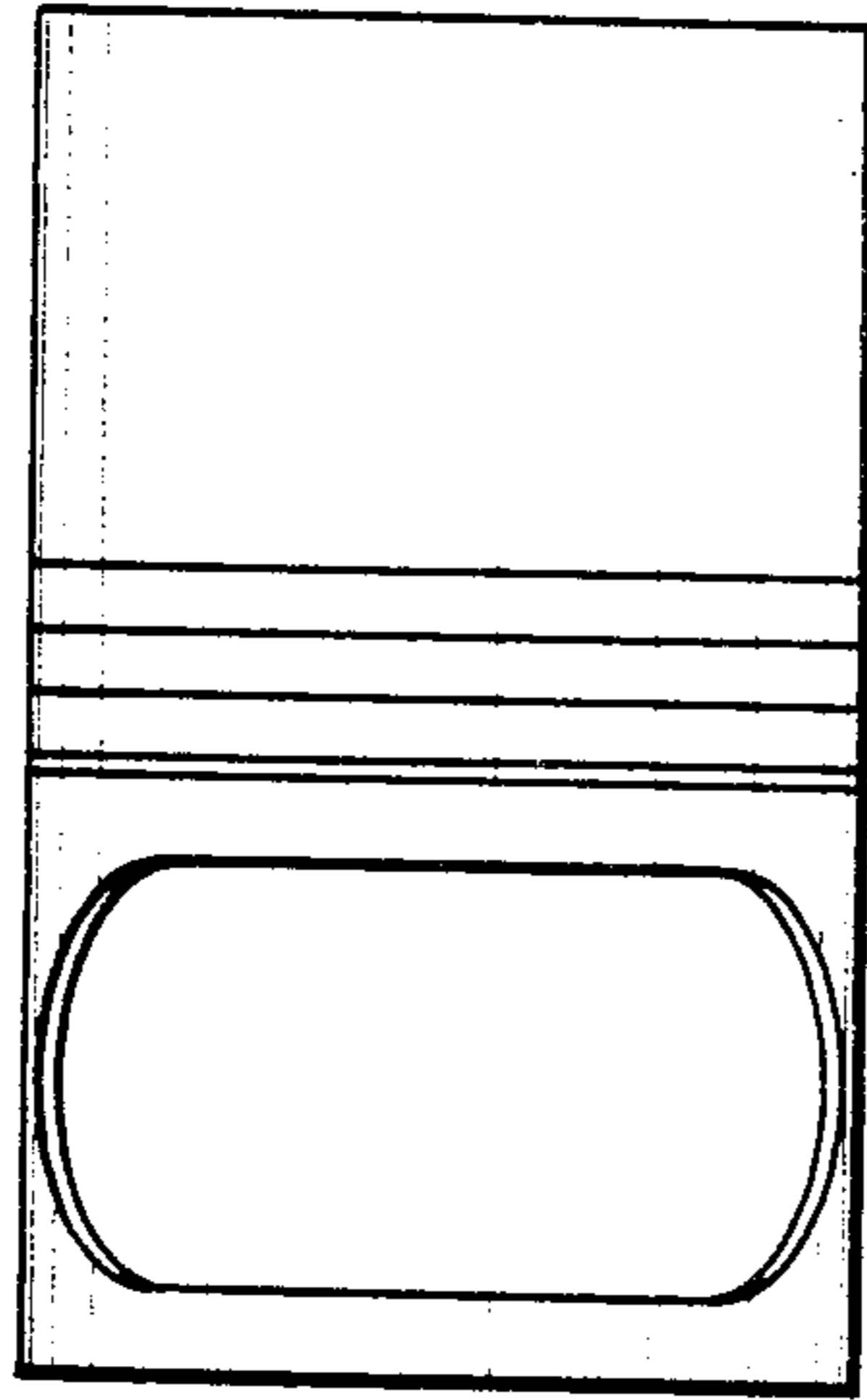


FIG. 7

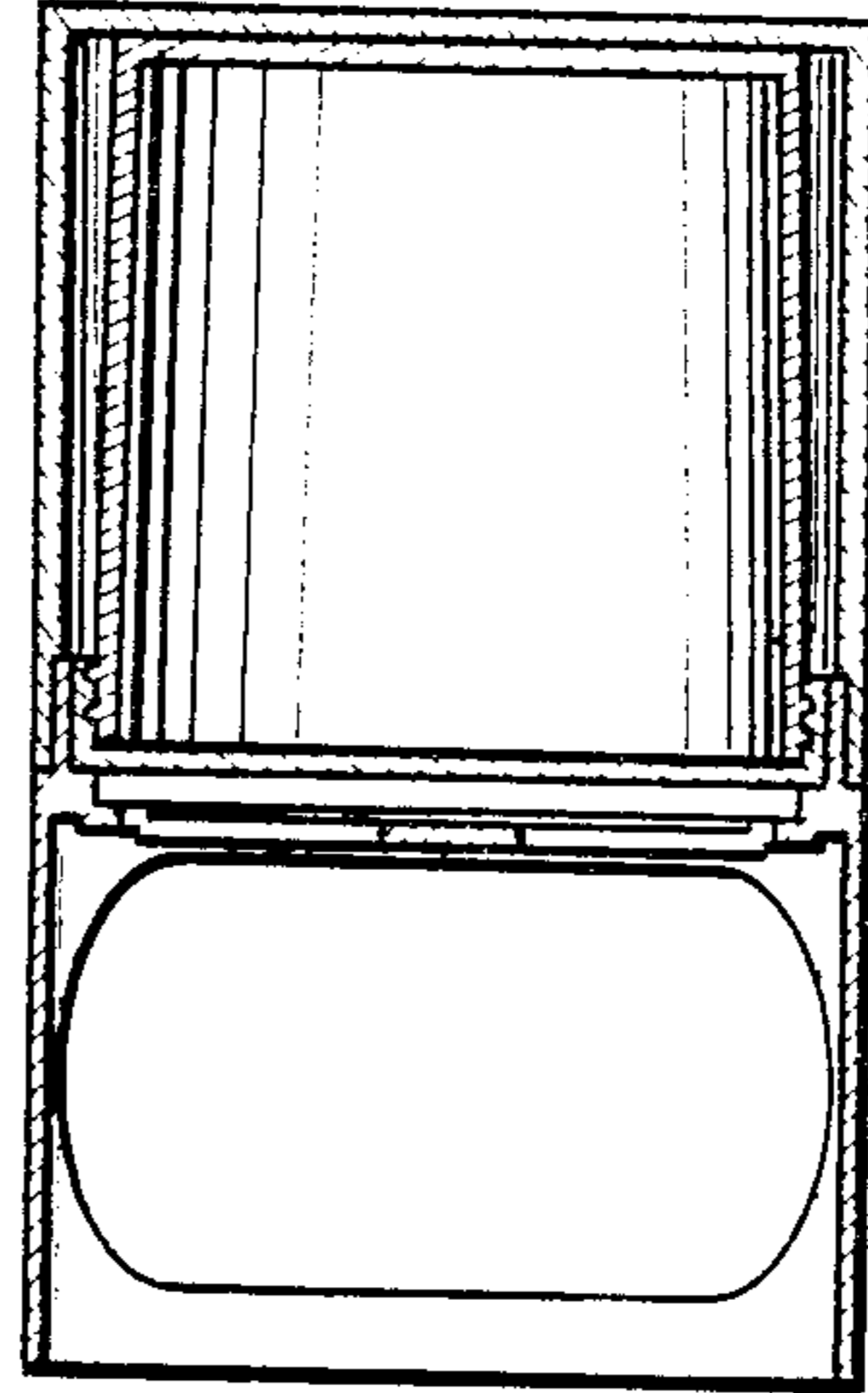


FIG. 5

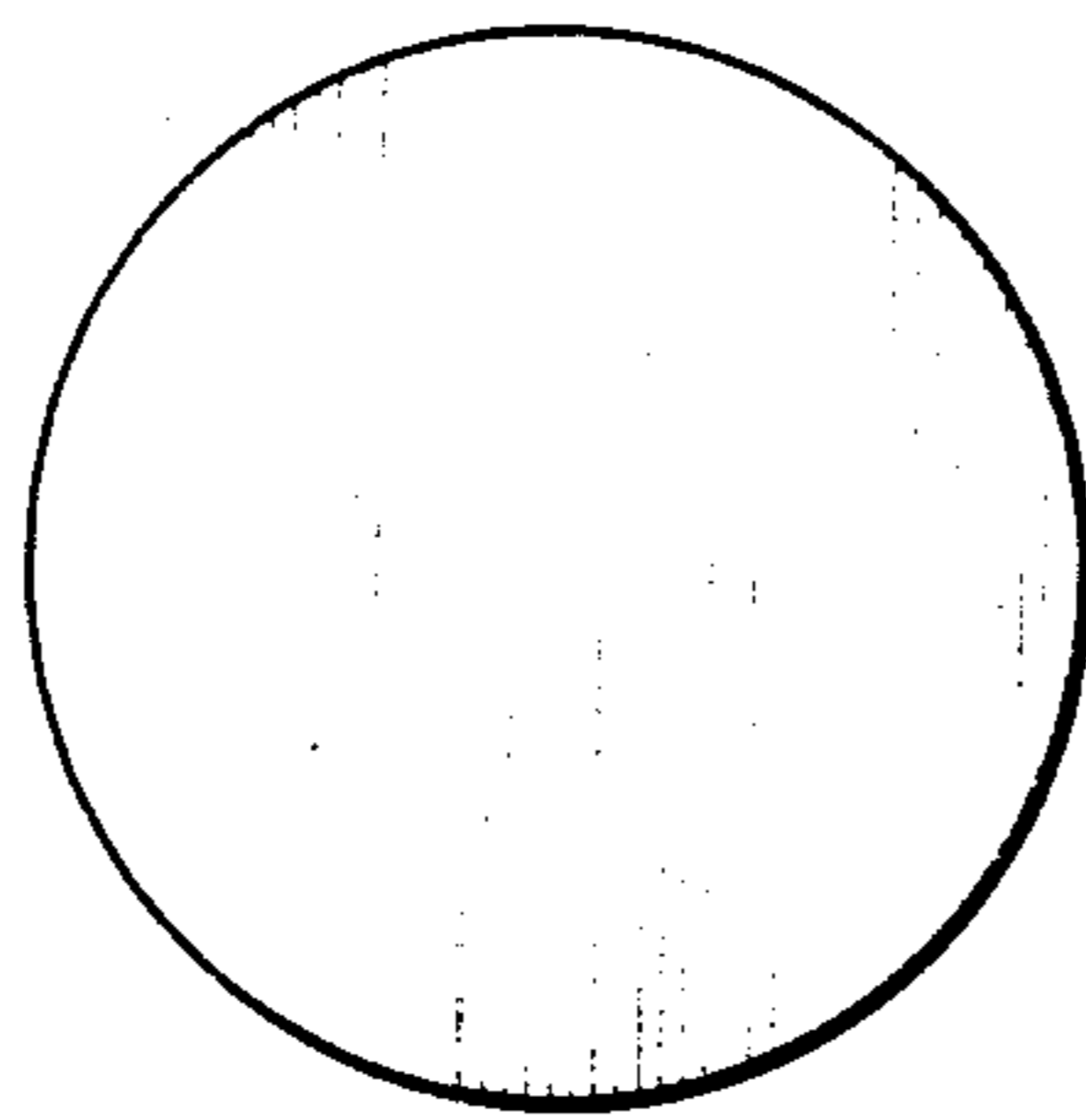


FIG. 6

