

[54] EXERCISE BICYCLE

[75] Inventors: David B. Smith, Mercer Island; Randolph F. Miller, Mount Vernon; John M. Moore, Woodinville, all of Wash.

[73] Assignee: Precor Incorporated, Redmond, Wash.

[**] Term: 14 Years

[21] Appl. No.: 641,169

[22] Filed: Aug. 15, 1984

[52] U.S. Cl. D21/194

[58] Field of Search D21/194; 272/70.3, 73, 272/132; 73/379; D12/111, 117-119

[56] References Cited

U.S. PATENT DOCUMENTS

D. 191,792	11/1961	Maratta	D21/194
D. 229,077	11/1973	Scalingi et al.	272/73
D. 257,515	11/1980	Faux	D21/194
4,084,810	4/1978	Forsman	272/73

OTHER PUBLICATIONS

- Article disclosing the Monark Ergometer 869; Haden Dynavit Aerobitronic 30; AMF Computrim 900; Tunturi Electronic Ergometer LE 400; Cybex Fitron Cycle Ergometer; and Buick Aerobitron Exercise Bicycles.
- Brochure disclosing Huffy Pulse-Data Model 90501 Exercise Rowing Machine.
- Brochure disclosing Dyna Bike Ergometer by M&R Industries, Inc.
- Brochure further disclosing the AMF Computrim 900 Exercise Bicycle illustrated in Enclosure AR.
- Brochure illustrating the Cardiotest Exercise Bicycle by Seca.
- Brochure disclosing the Aerobitron Exercise Bicycle by Buick shown in Enclosure AR.
- Brochure disclosing Topfit 100 Exercise Bicycle by Microtech Electronic GmbH.
- Brochure disclosing the Haden Dynavit Aerobitronic

30 Exercise Bicycle, which is also illustrated in Enclosure AR.

Brochure illustrating the Ergo-fit 300W and Ergo-fit 200W Exercise Bicycles.

Brochure disclosing the Heart Mate Exercise Bicycle by Wimbleton Industries Co.

Brochure disclosing the Bodyguard 955 Exercise Bicycle.

Brochure disclosing the Lifecycle Exercise Bicycle by Lifecycle, Inc.

Brochure disclosing various Exercise Bicycles by Monark, including Electronic Ergometer 869; Ergometer 868; Weight Ergometer 864; Ergometer 865 Monark Mark II; Exercise Cycle 872; and Sparr Rehab 858.

Brochure disclosing various Exercise Bicycles by Diversified Products, including the Shape Master 2000; DP Body Shaper and Fitness Express.

Brochure disclosing the Bodycycle by Marcy Gym Equipment Company.

1984 Fitness Range brochure from Pan's World disclosing various Exercise Bicycles, including Models: Folding Cycle III; W/Pump PA-301A; Exerciser PA-302; Home Cycle PA-303; Swing Exercise Bike PA-304; Exercise Bike PA-305; and Exerciser PA-306.

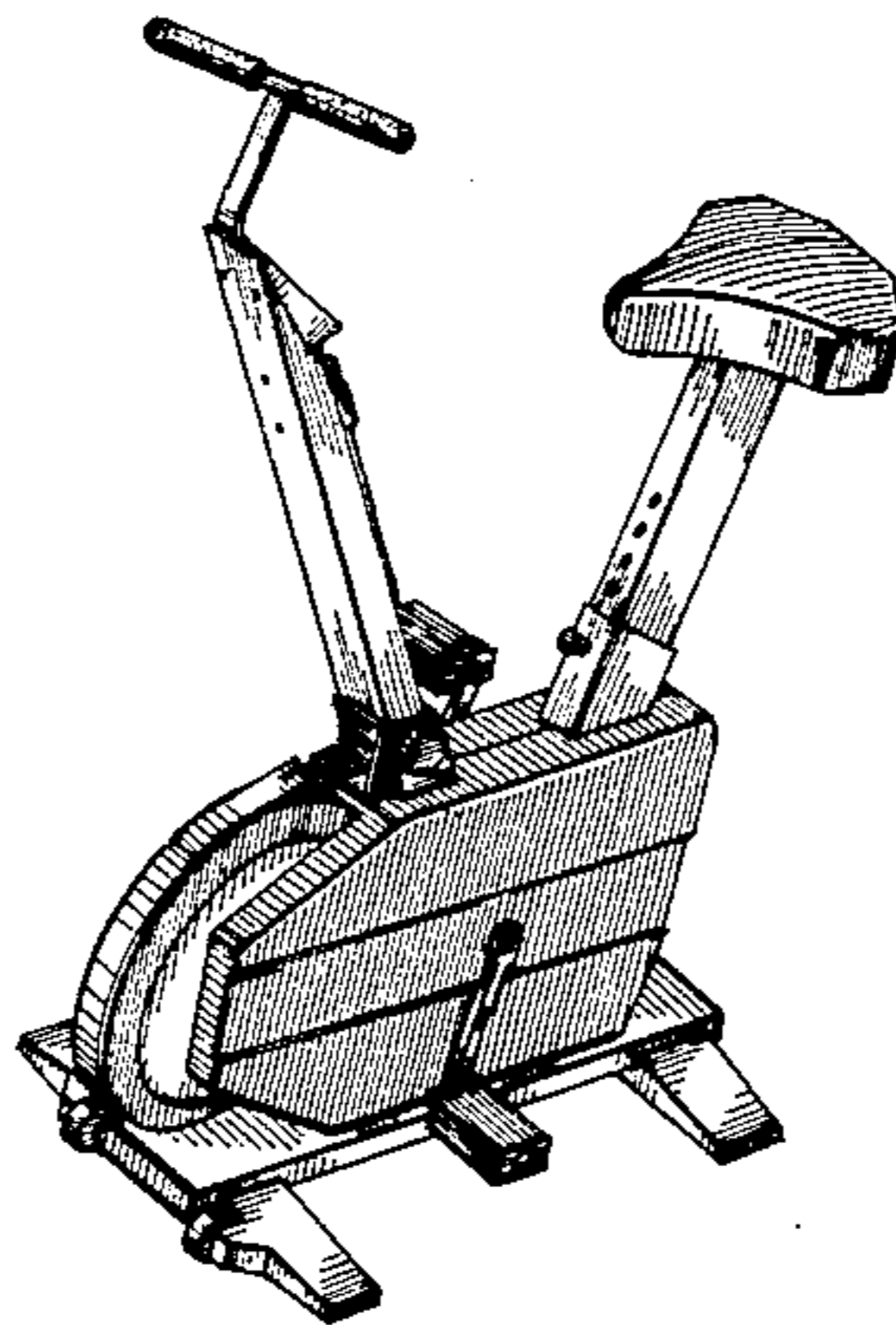
Primary Examiner—Charles A. Rademaker
Attorney, Agent, or Firm—Christensen, O'Connor, Johnson & Kindness

[57] CLAIM

The ornamental design for an exercise bicycle, substantially as shown and described.

DESCRIPTION

- FIG. 1 is a front perspective view of an exercise bicycle showing our new design;
- FIG. 2 is a rear perspective view thereof;
- FIG. 3 is a side elevational view thereof;
- FIG. 4 is a rear elevational view thereof;
- FIG. 5 is a front elevational view thereof; and,
- FIG. 6 is a top plan view thereof.



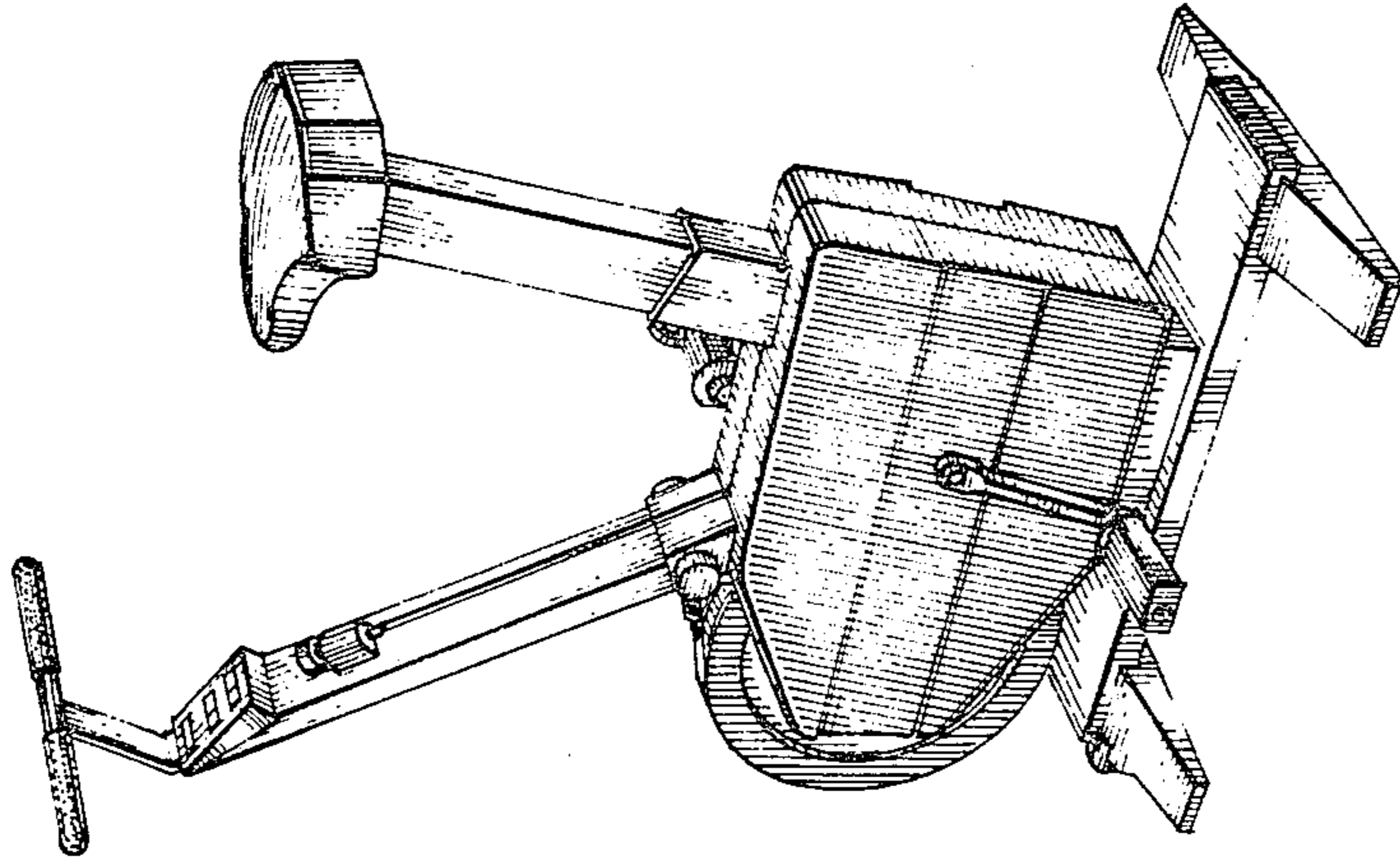


Fig. 2.

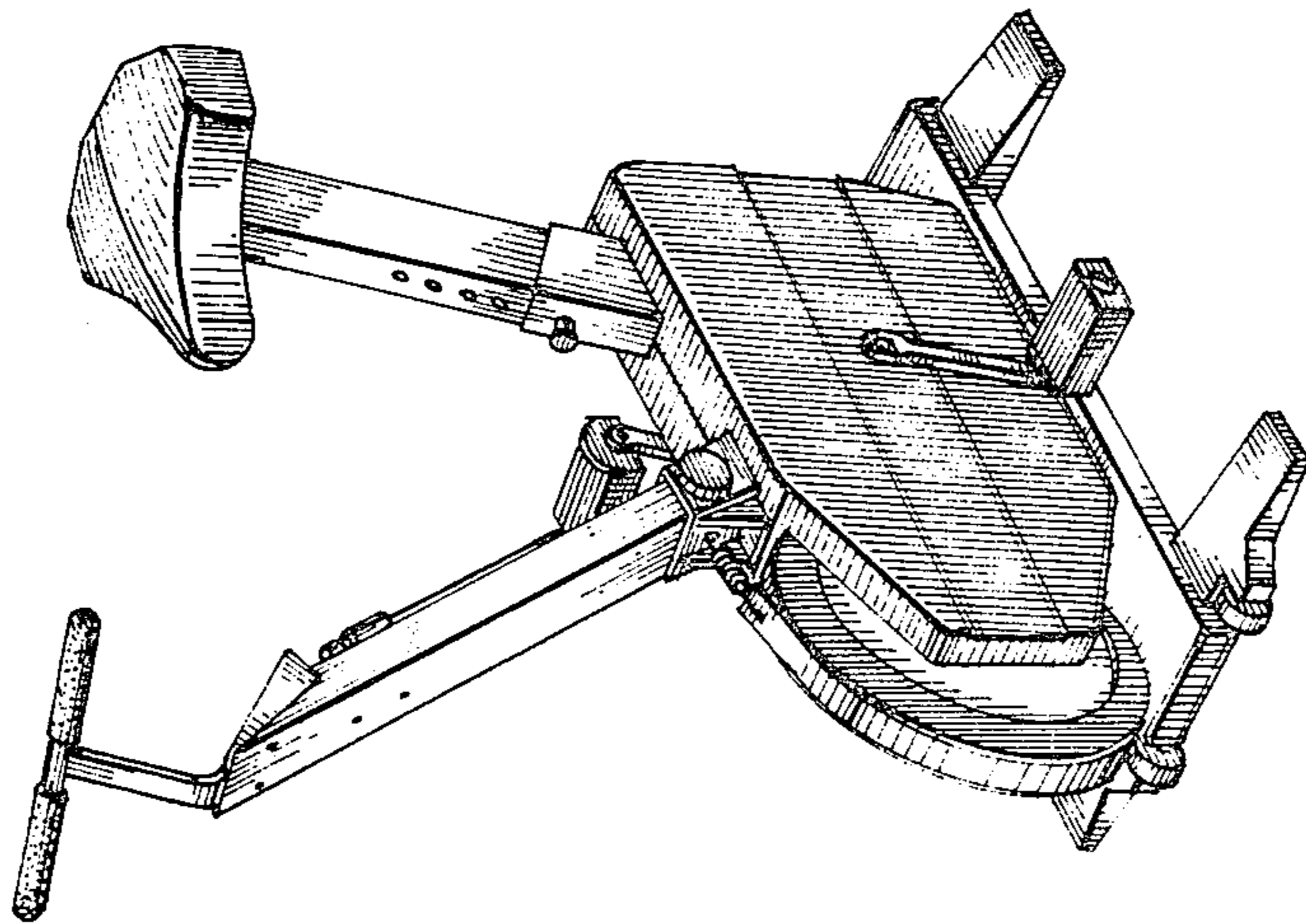


Fig. 1.

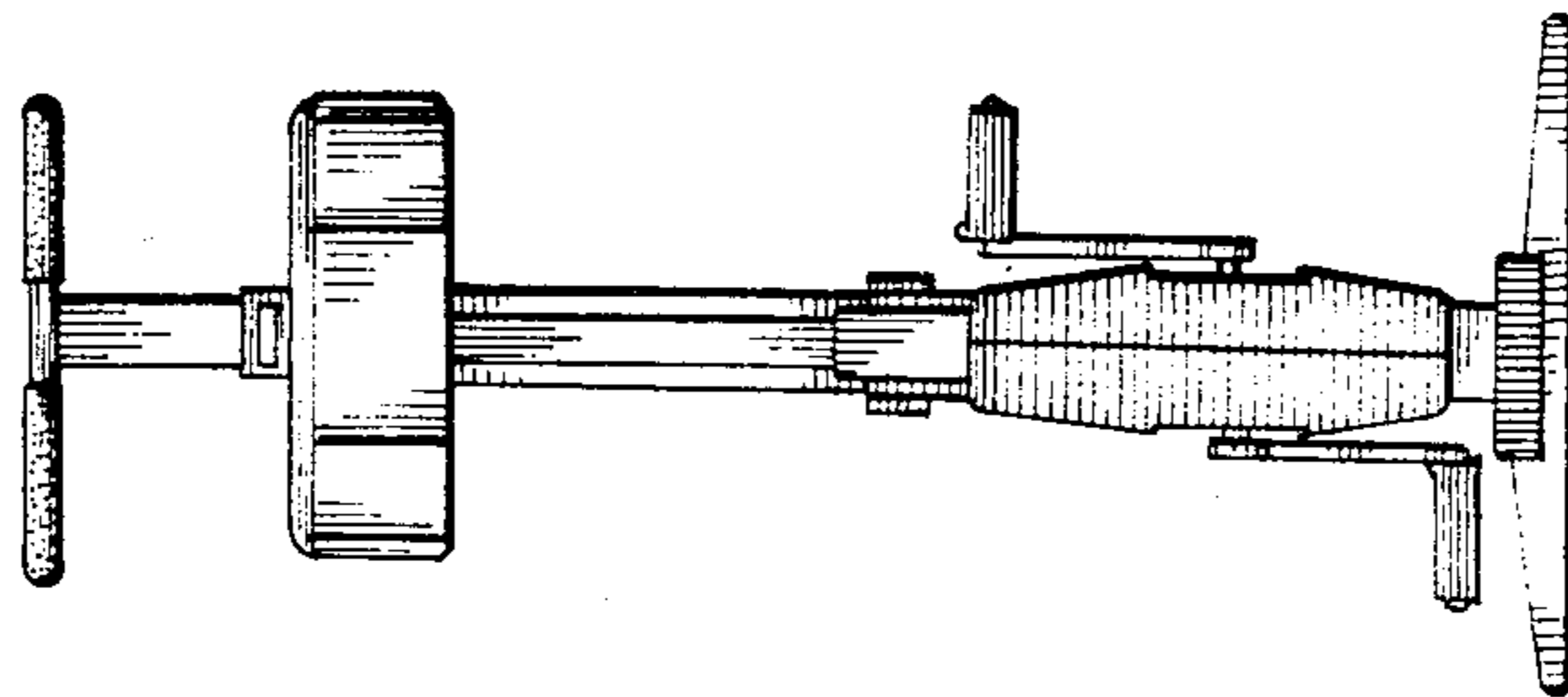


Fig. 1.

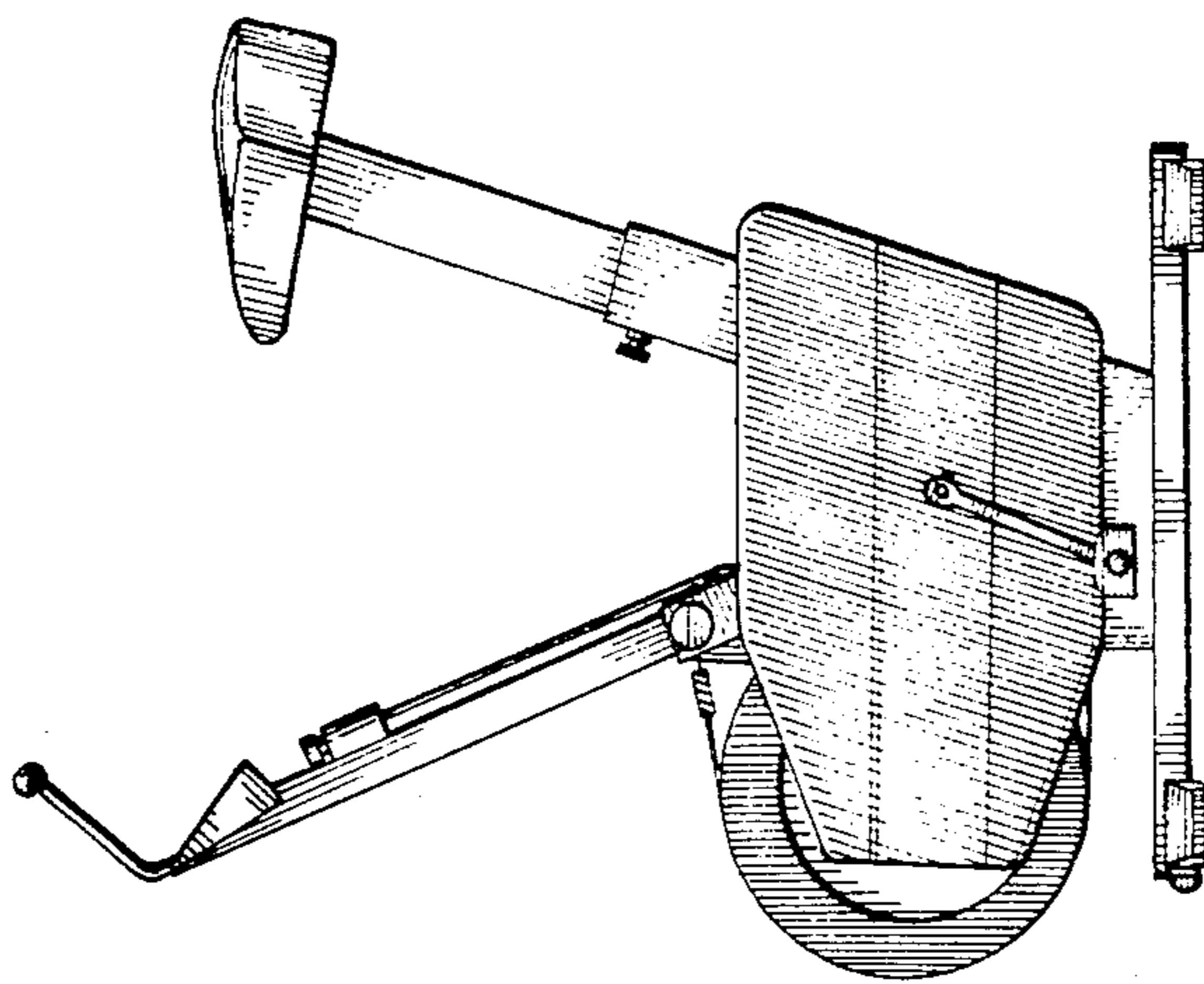


Fig. 2.

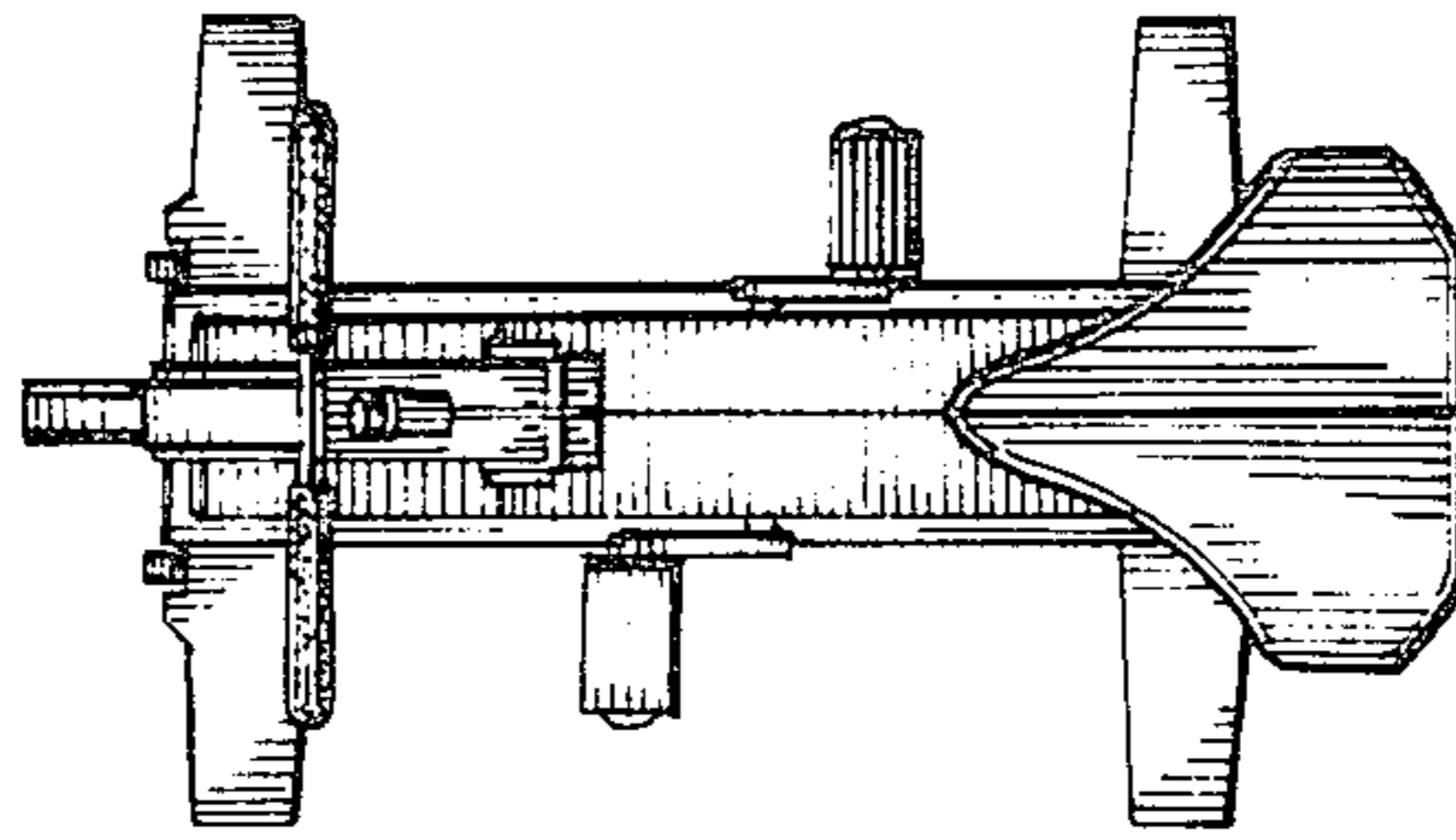


Fig. 6.

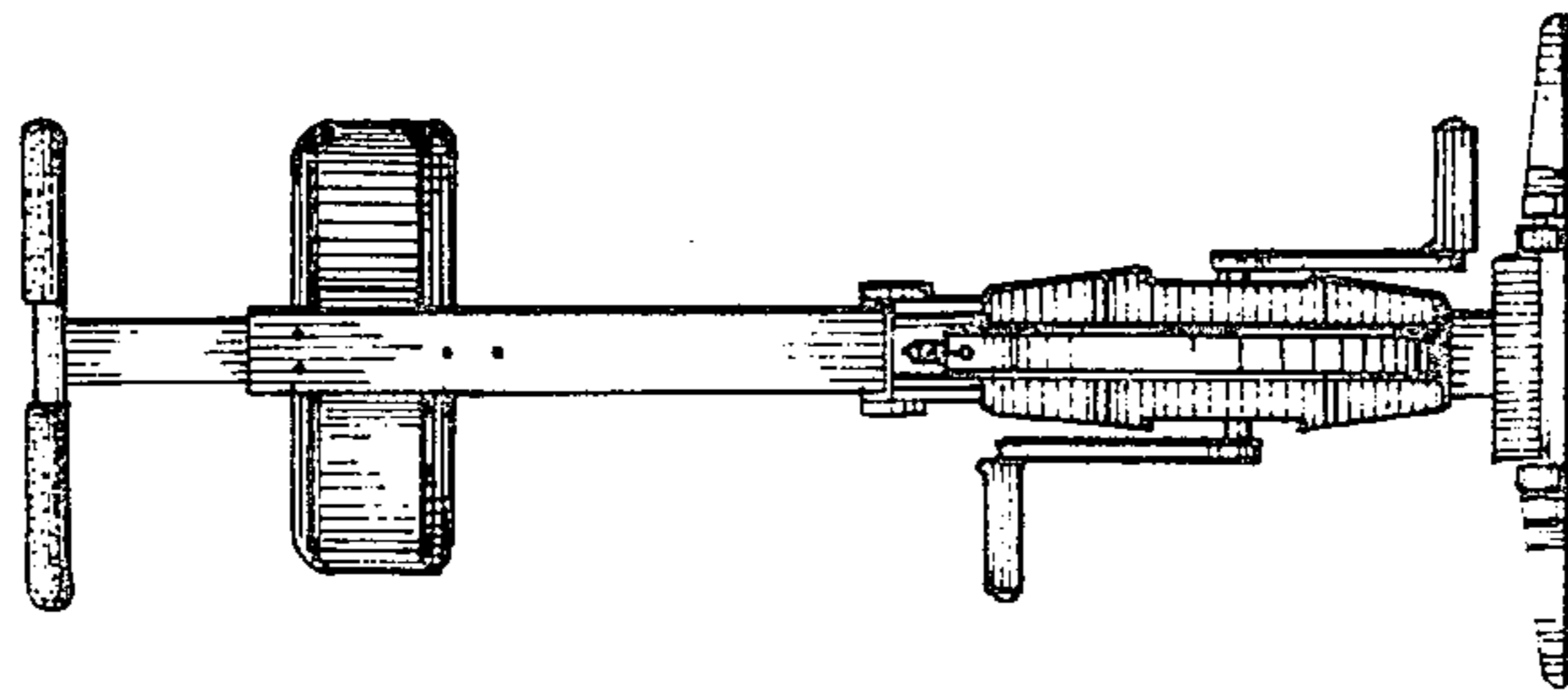


Fig. 5.

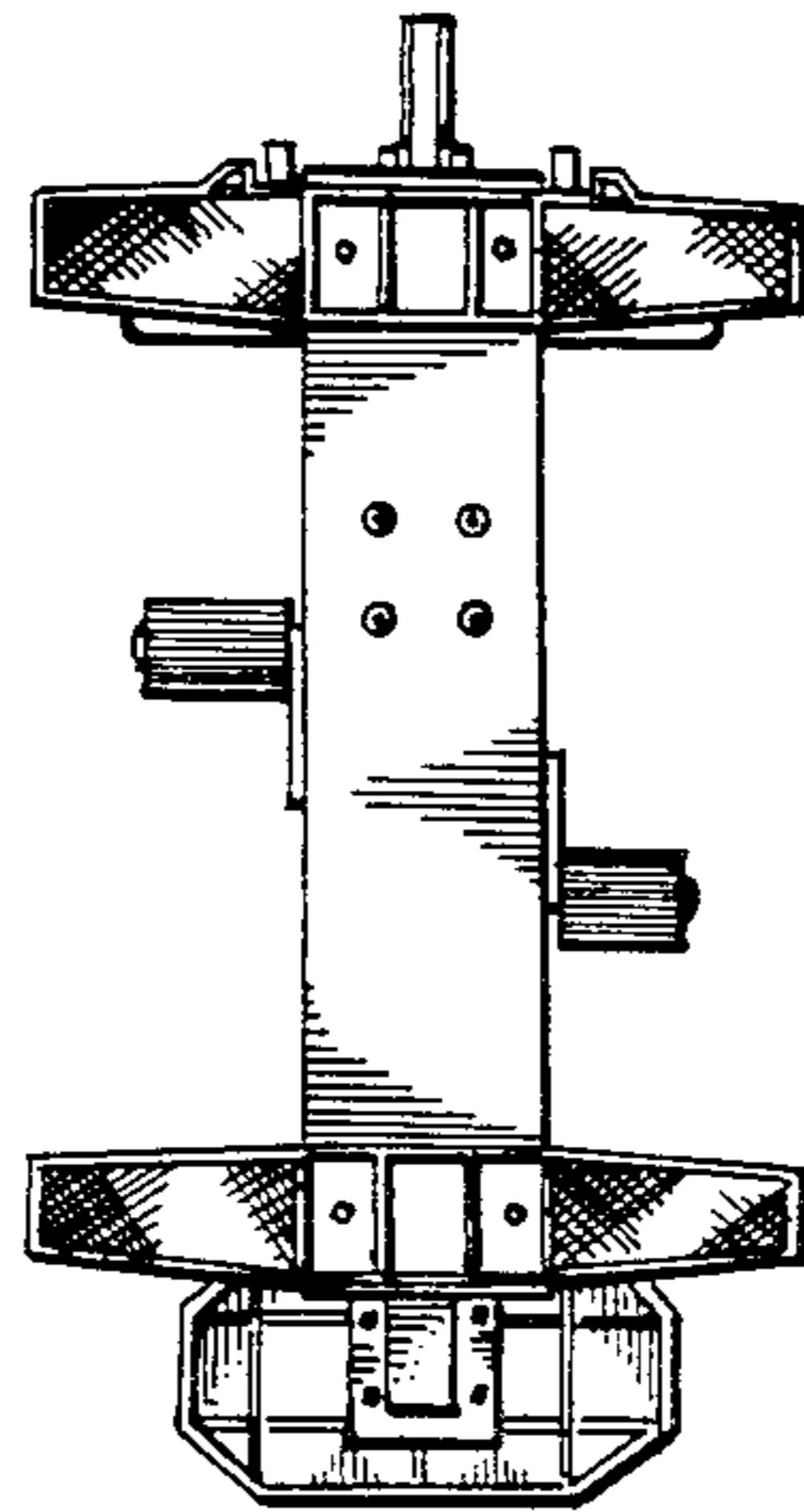


Fig. 7.

UNITED STATES PATENT AND TRADEMARK OFFICE
CERTIFICATE OF CORRECTION

PATENT NO. : Des. 280,923
DATED : October 8, 1985
INVENTOR(S) : Smith et al.

It is certified that error appears in the above-identified patent and that said Letters Patent is hereby corrected as shown below:

At Column 2, under "OTHER PUBLICATIONS," after "Brochure disclosing the Lifecycle Exercise Bicycle by Lifecycle, Inc." insert:

Brochure disclosing various exercise bicycles manufactured by Tunturi, including Models ATEL EL 400 Electronic Ergometer; ATPT Professional Trainer; ATEE Ergometer; ATHC Home Cycle; and ATFC Family Cycle.

Brochure disclosing various exercise bicycles by Schwinn, including the AirDyne Exerciser; ergoMETRIC Exerciser; BIO-DYNE Exerciser; and Deluxe Exerciser.

Brochure disclosing exercise bicycles by Pro-Fit Exercisers Canada, Inc., including the Sante 1050; Sante 850 and Sante 250

Signed and Sealed this

Thirteenth Day of May 1986

[SEAL]

Attest:

DONALD J. QUIGG

Attesting Officer

Commissioner of Patents and Trademarks