

[54] **RING PUZZLE TOY**

[76] **Inventor: James C. Hallmark**, 110 Robinwood Dr., Whitehouse, Tex. 75791

[**] **Term: 14 Years**

[21] **Appl. No.: 481,910**

[22] **Filed: Apr. 4, 1983**

[52] **U.S. Cl. D21/106**

[58] **Field of Search D21/104, 105, 106, 107; 273/153 R, 156, 158**

[56] **References Cited**

U.S. PATENT DOCUMENTS

4,036,504 7/1977 Touchette 273/158

FOREIGN PATENT DOCUMENTS

3214028 4/1982 Fed. Rep. of Germany 273/158
2114009 1/1982 United Kingdom 273/158

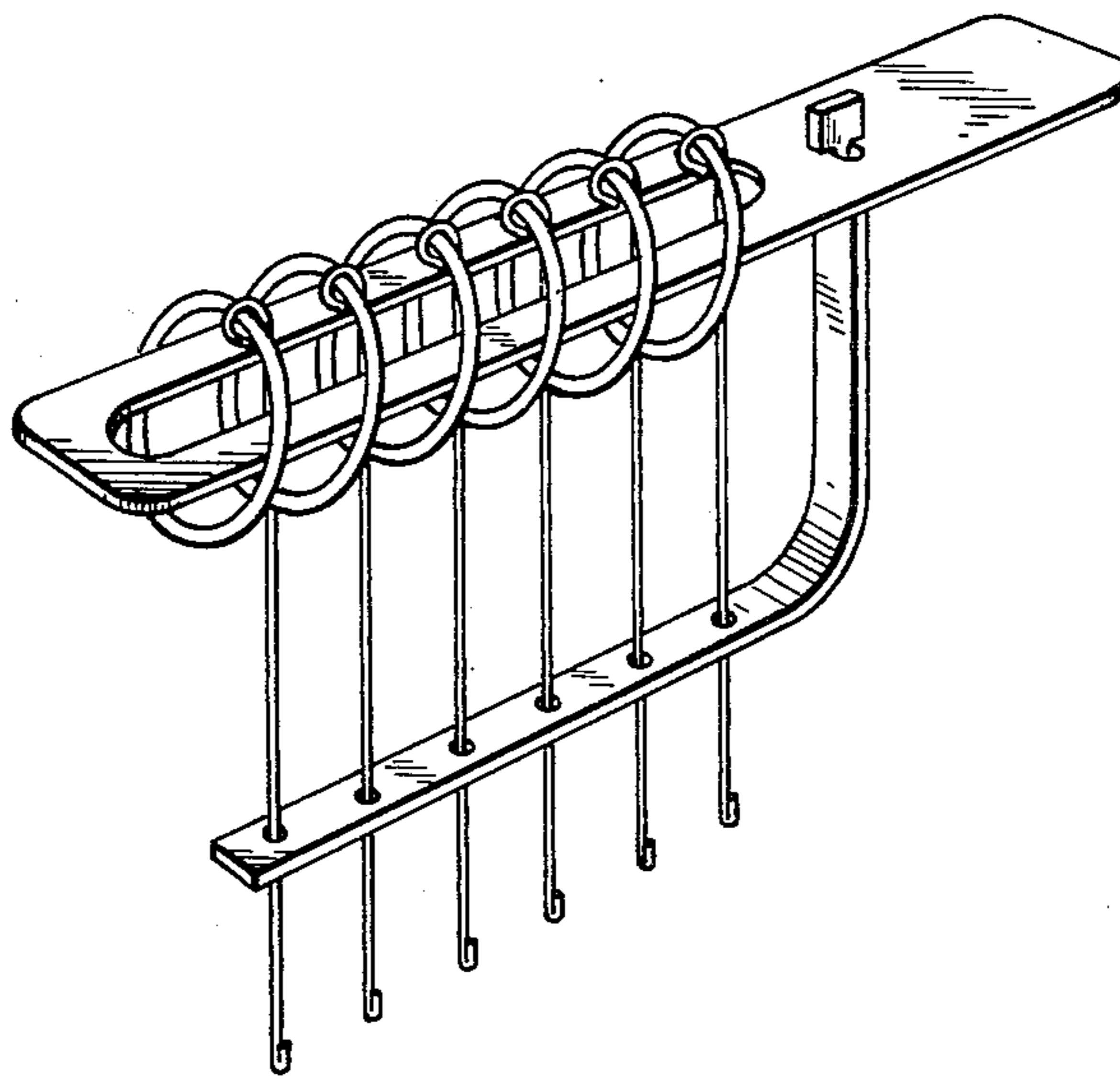
Primary Examiner—Charles A. Rademaker
Attorney, Agent, or Firm—Harold H. Dutton, Jr.

[57] **CLAIM**

The ornamental design for a ring puzzle toy, as shown and described.

DESCRIPTION

FIG. 1 is a perspective view of a ring puzzle toy showing my new design;
FIG. 2 is a left side elevational view thereof;
FIG. 3 is a front elevational view thereof;
FIG. 4 is a right side elevational view thereof.
The side opposite to that shown in FIG. 3 is a mirror image thereof.



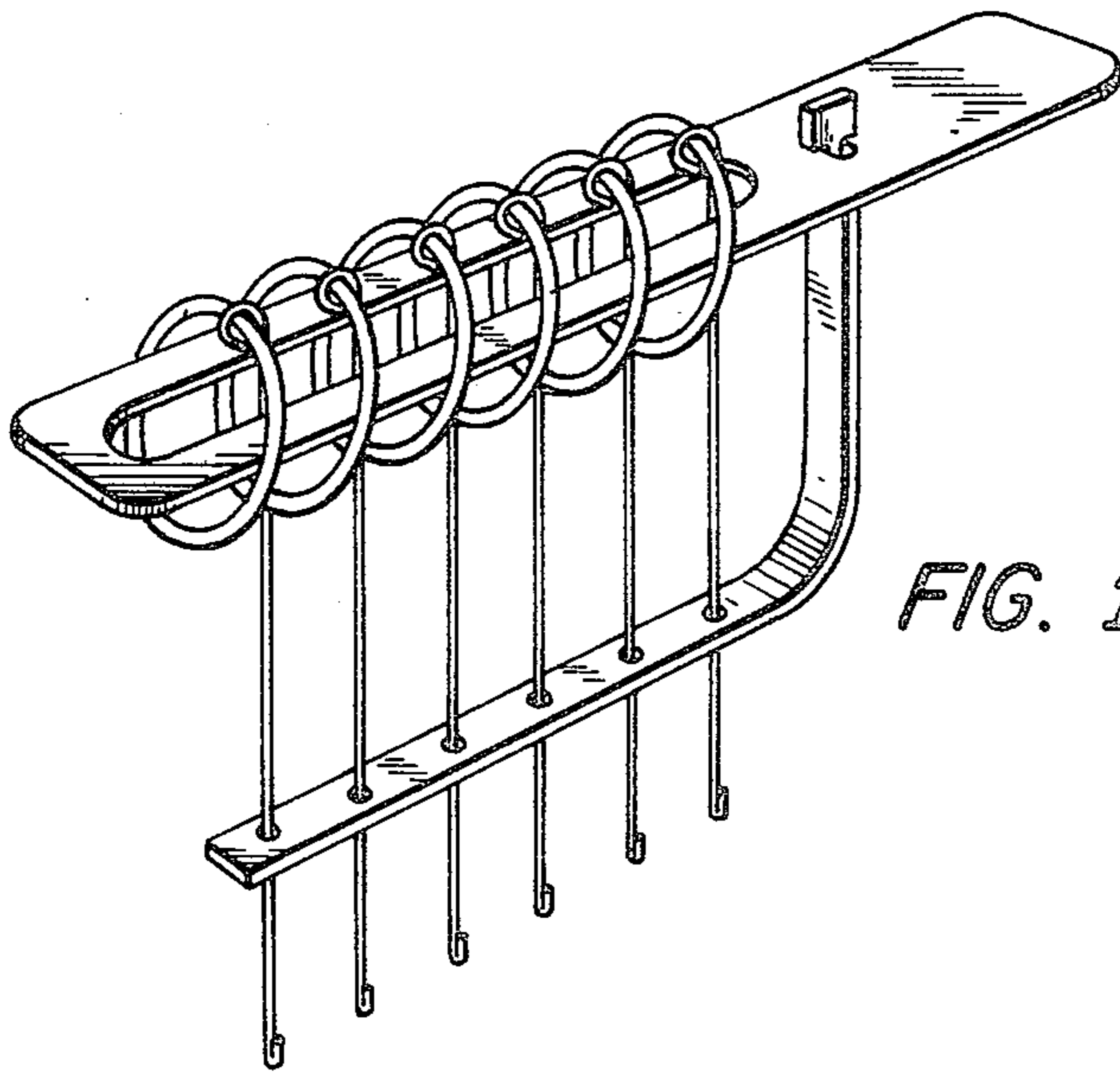


FIG. 1

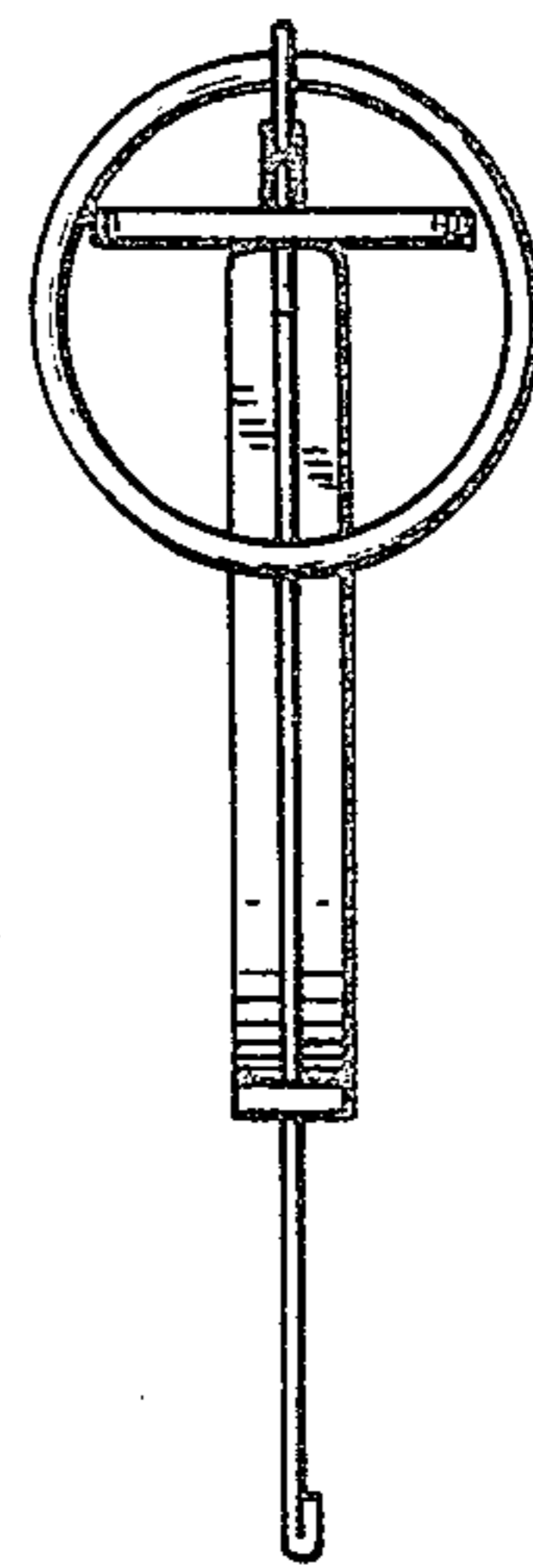


FIG. 2

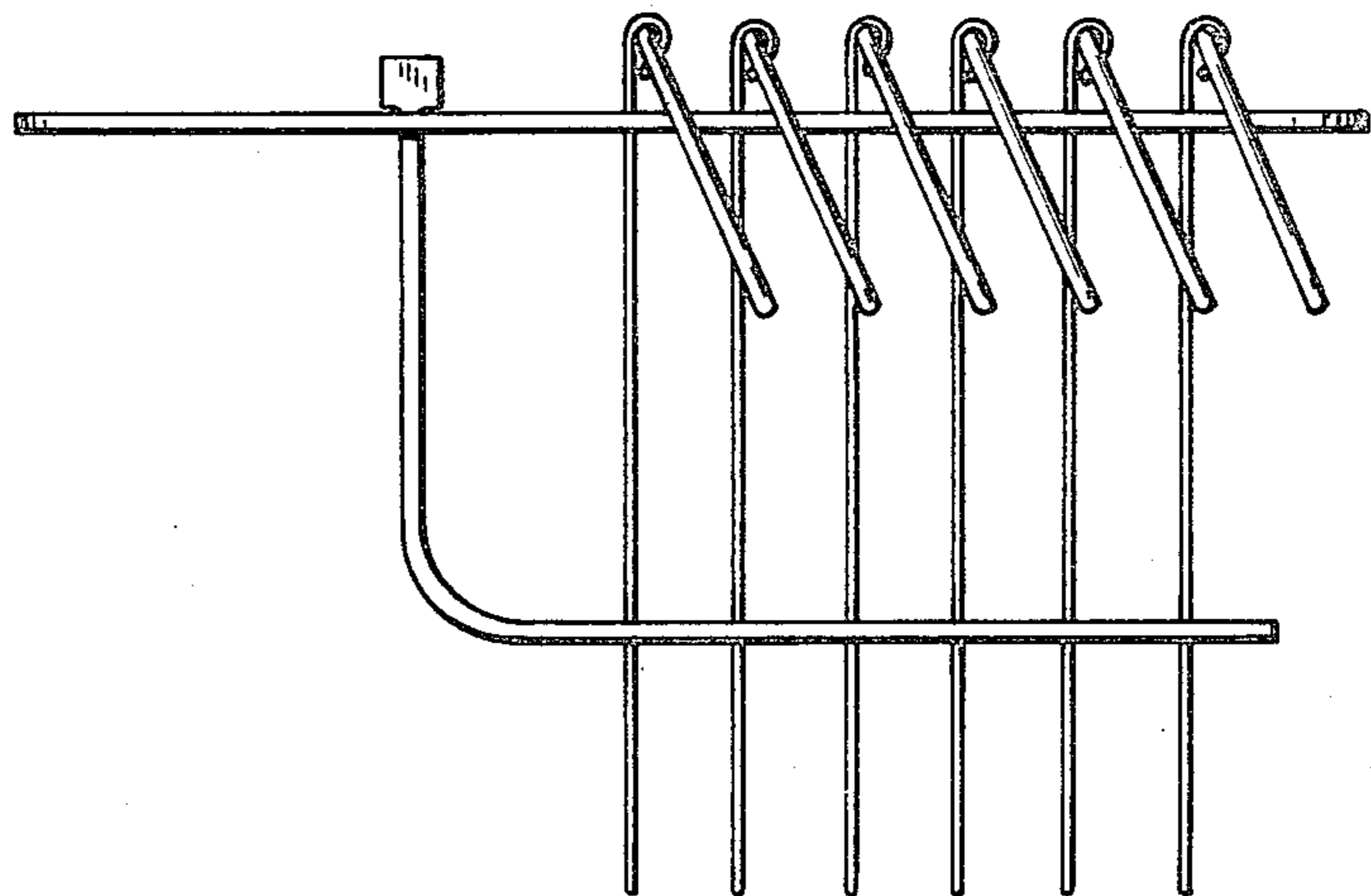


FIG. 3

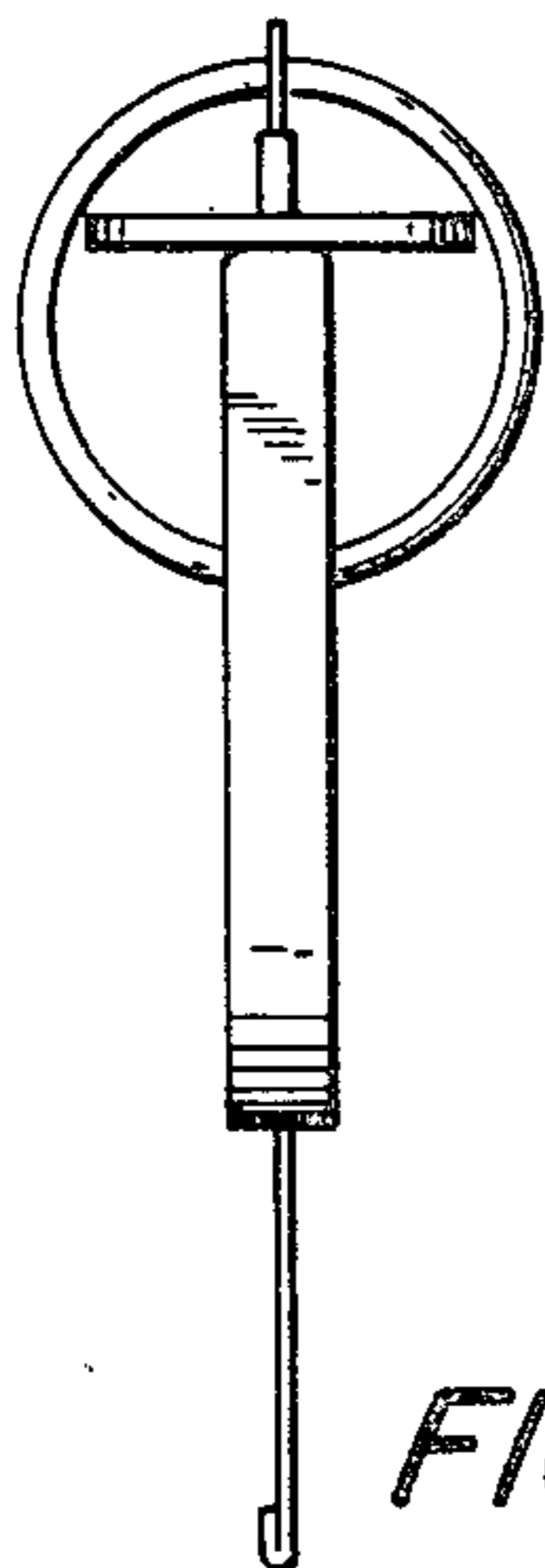


FIG. 4