

[54] **COASTER**

[76] **Inventor: Rhett Castle, P.O. Box 8066, Salem, Mass. 01970**

[\*\*] **Term: 14 Years**

[21] **Appl. No.: 482,786**

[22] **Filed: Apr. 7, 1983**

[52] **U.S. Cl. .... D21/71**

[58] **Field of Search ..... D21/128, 134, 136, 137, D21/71, 76; D12/107; 280/87.01, 87.02 R, 282**

[56] **References Cited**

**U.S. PATENT DOCUMENTS**

D. 109,988 6/1938 Klatt ..... D21/71  
D. 170,759 11/1953 Kesler ..... D21/134

D. 240,546 7/1976 Nashagh ..... D21/134  
D. 264,233 5/1982 Hundley ..... D21/71

*Primary Examiner*—Charles A. Rademaker  
*Attorney, Agent, or Firm*—Harvey B. Jacobson

[57] **CLAIM**

The ornamental design for a coaster, substantially as shown.

**DESCRIPTION**

FIG. 1 is a top plan view of a coaster showing my new design;

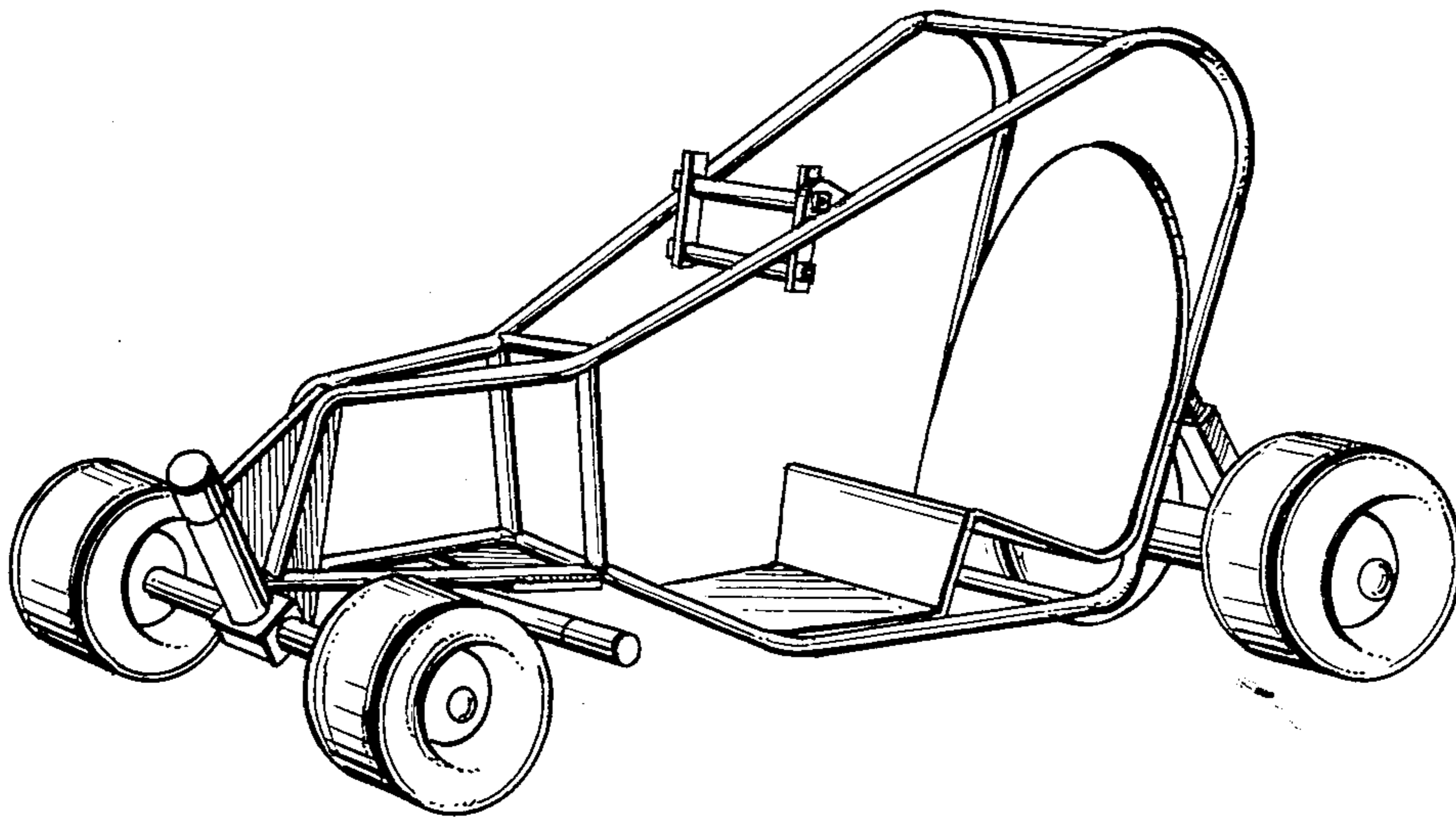
FIG. 2 is a bottom plan view thereof;

FIG. 3 is a front elevational view thereof;

FIG. 4 is a rear elevational view thereof;

FIG. 5 is a right side elevational view thereof; and

FIG. 6 is a front perspective view thereof.



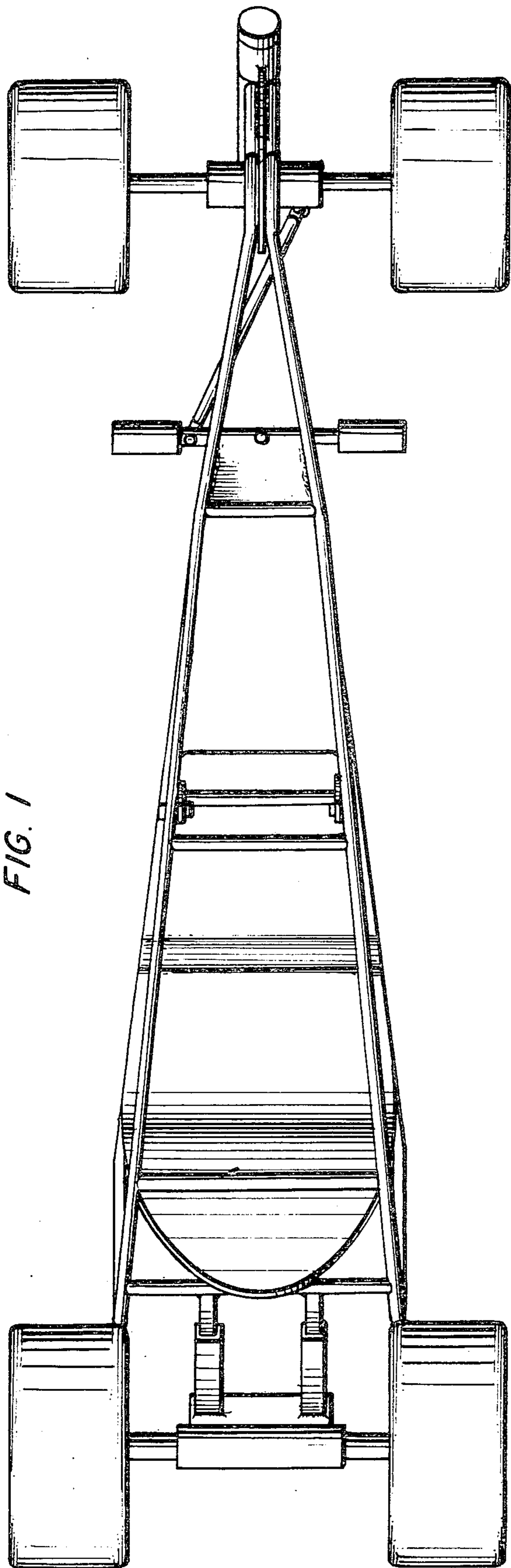


FIG. 1

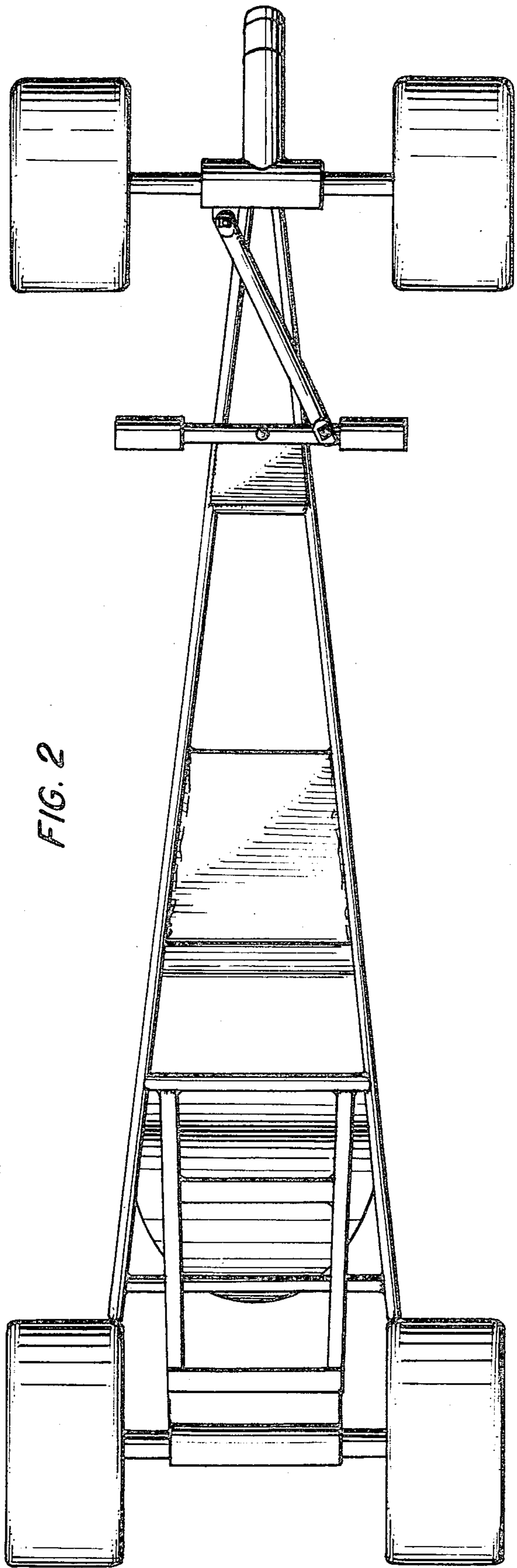


FIG. 2

FIG. 4

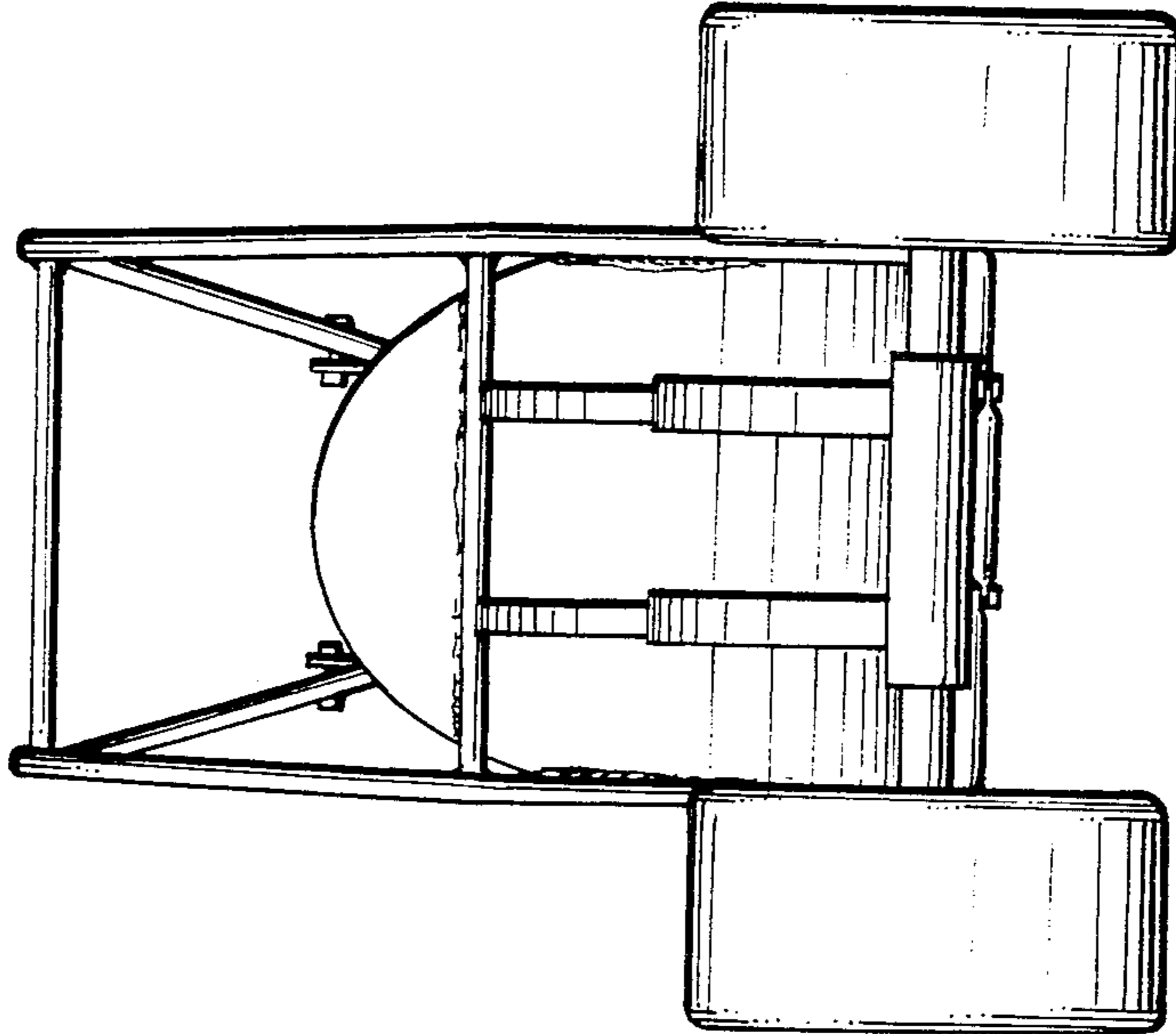


FIG. 3

