

United States Patent [19]
Catelli

[11] **Patent Number: Des. 280,915**
[45] **Date of Patent: ** Oct. 8, 1985**

- [54] **TOY XYLOPHONE**
[75] **Inventor: Pietro Catelli, Como, Italy**
[73] **Assignee: Artsana S.p.A., Italy**
[**] **Term: 14 Years**
[21] **Appl. No.: 518,132**
[22] **Filed: Jul. 28, 1983**
[52] **U.S. Cl. D21/64**
[58] **Field of Search D21/64, 65, 59; D17/1,
D17/22, 23; 446/418, 422**

[56] **References Cited**

U.S. PATENT DOCUMENTS

- D. 209,527 12/1967 Genin D21/64
D. 223,769 6/1972 Ruokonen D21/59
D. 224,936 10/1972 Green D21/64
D. 231,381 4/1974 Echterling D21/64

- D. 257,865 1/1981 Wyman D21/64
D. 268,038 2/1983 Appel et al. D21/64

Primary Examiner—Charles A. Rademaker
Attorney, Agent, or Firm—Steinberg & Raskin

[57] **CLAIM**

The ornamental design for a toy xylophone, as shown and described.

DESCRIPTION

FIG. 1 is a perspective view of a toy xylophone showing my new design;
FIG. 2 is a front elevational view thereof;
FIG. 3 is a top plan view thereof;
FIG. 4 is a left side elevational view thereof, the right side elevational view being substantially a mirror image thereof;
FIG. 5 is a rear elevational view thereof; and
FIG. 6 is a bottom plan view thereof.

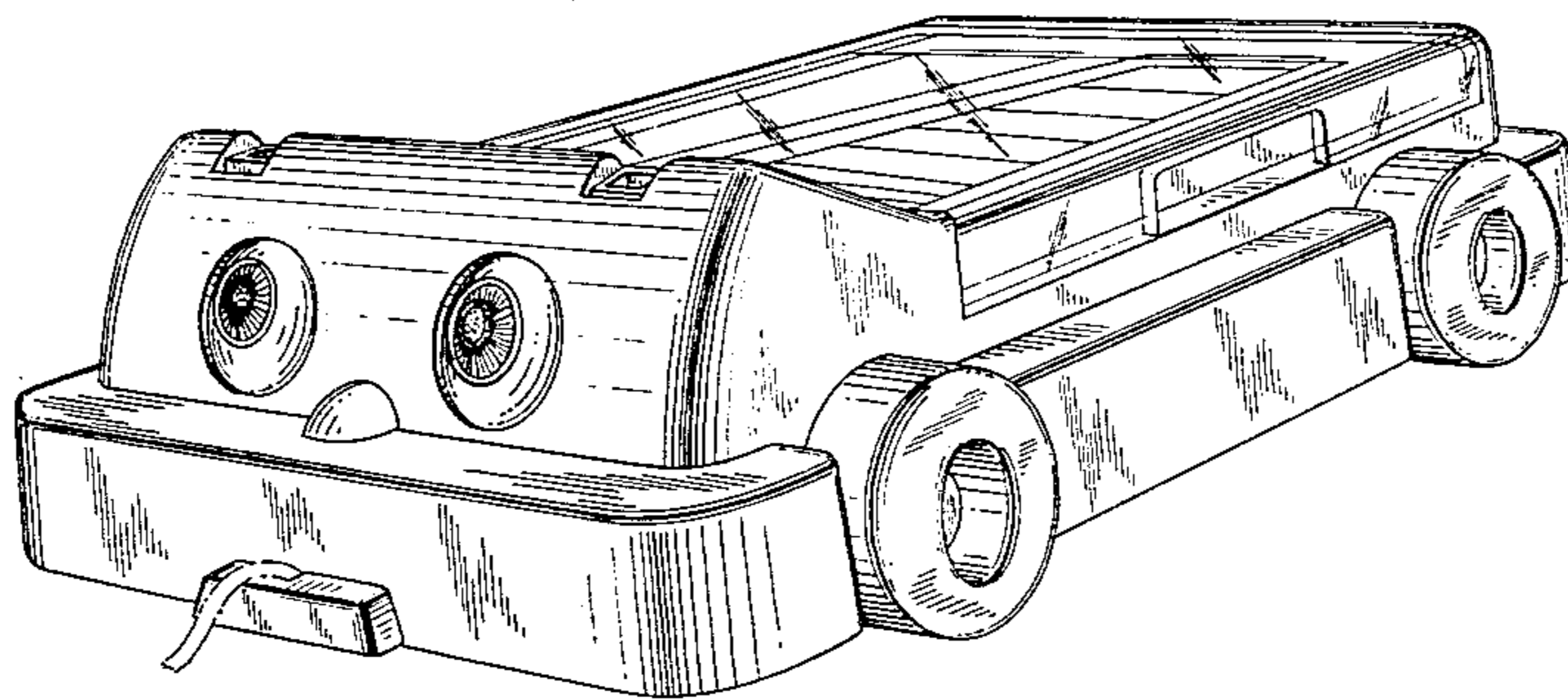


FIG. 1

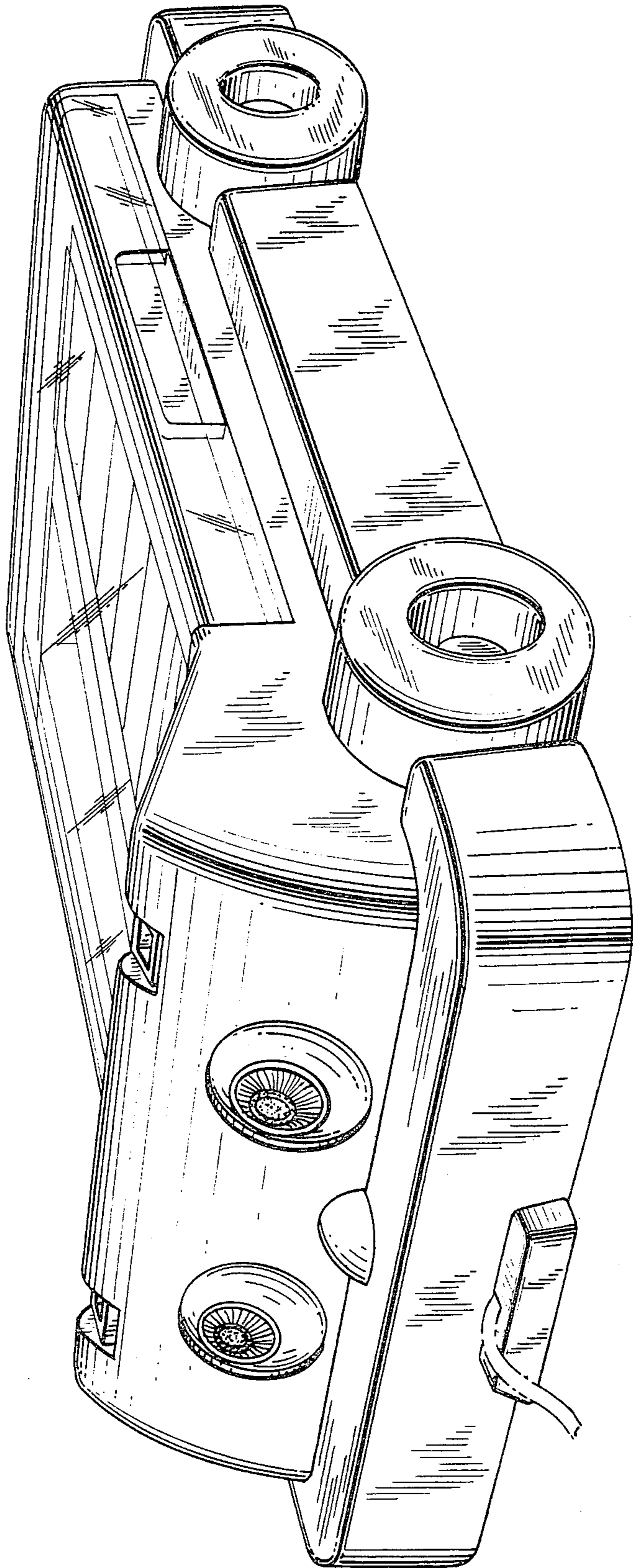


FIG. 2

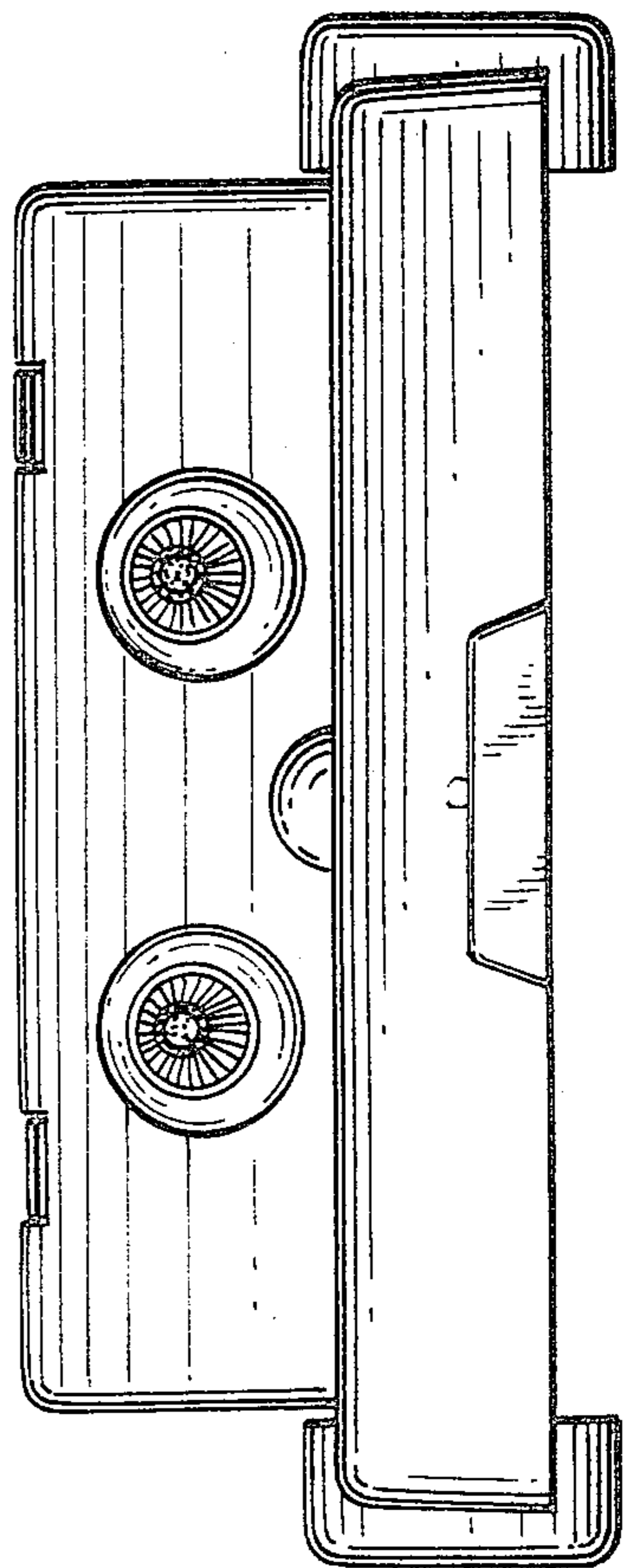


FIG. 3

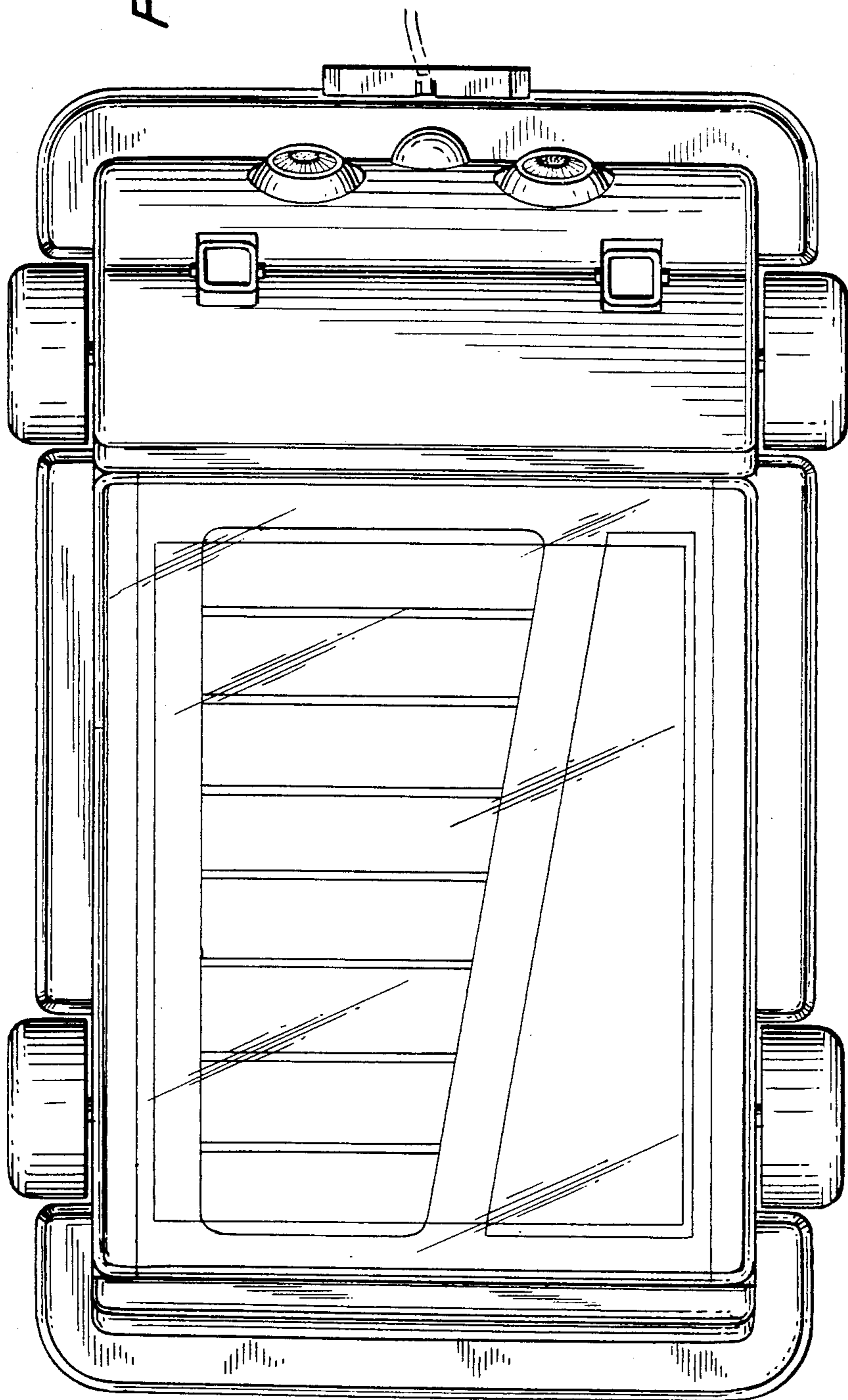
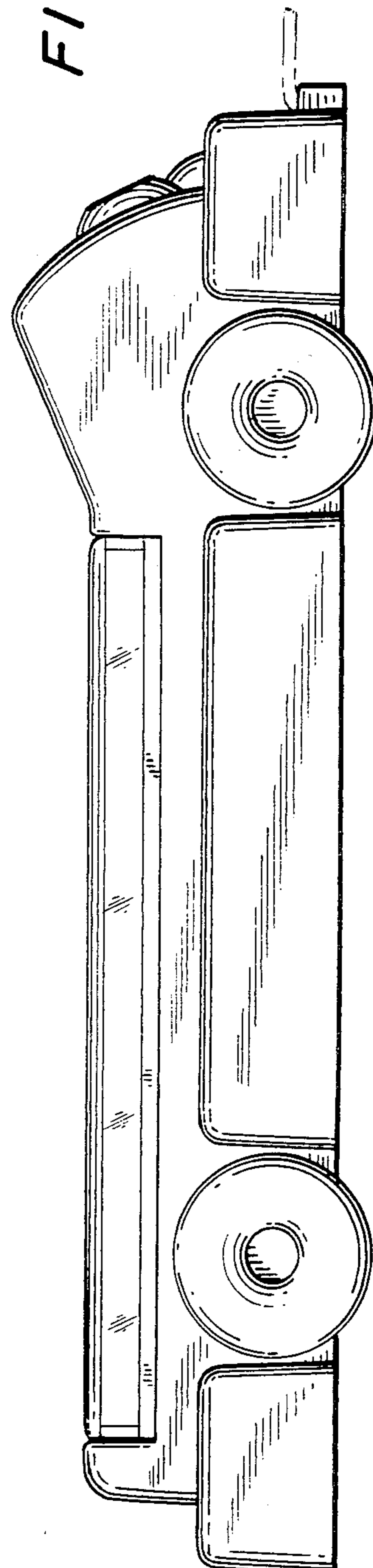


FIG. 4



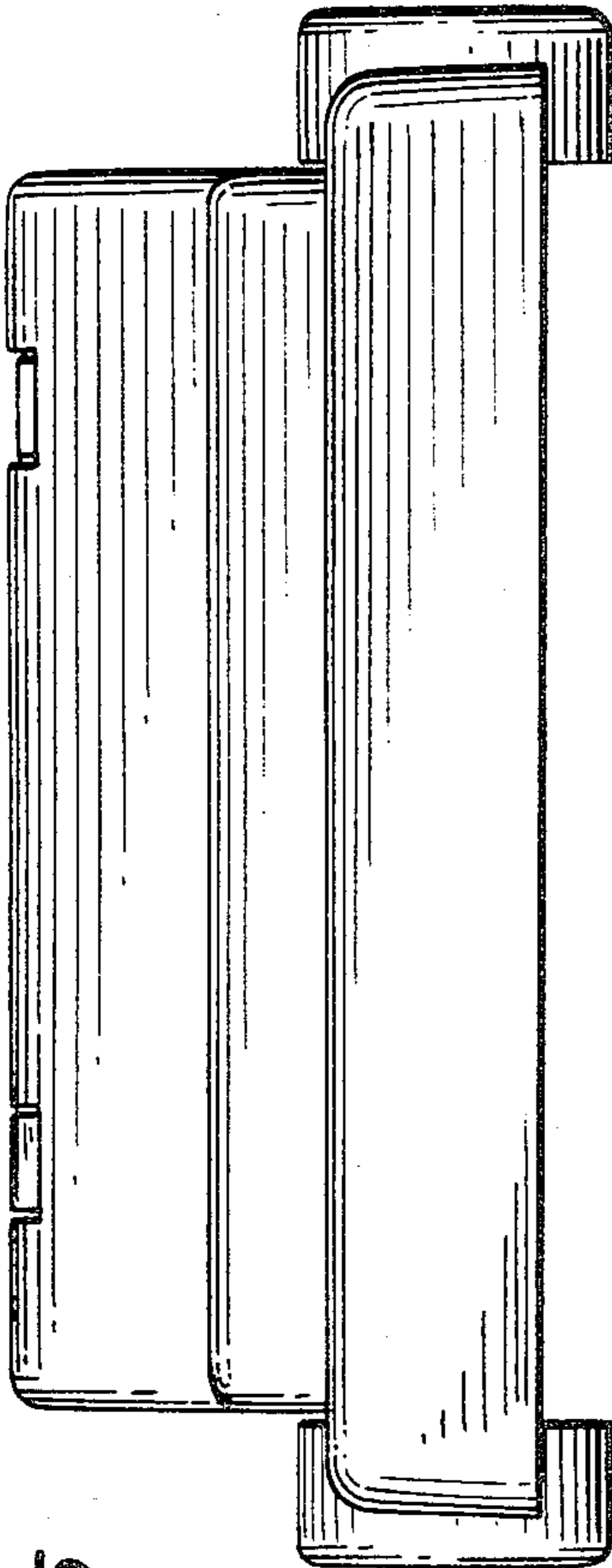


FIG. 5

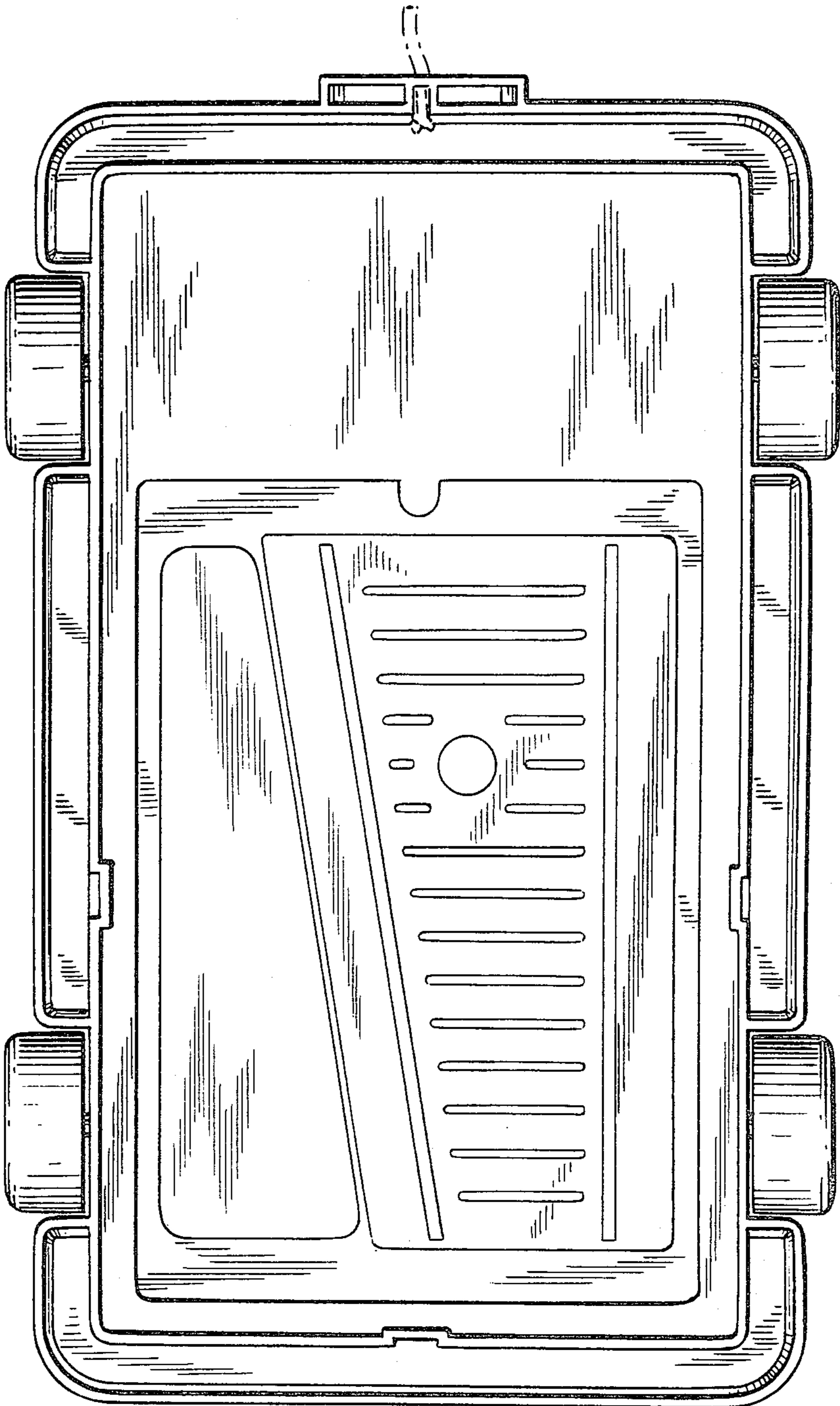


FIG. 6